



US00D383364S

United States Patent [19]
Goodman

[11] **Patent Number:** **Des. 383,364**
[45] **Date of Patent:** ****Sep. 9, 1997**

[54] **WALLMOUNTED BOTTLE HOLDER**

[76] **Inventor:** **Sheldon H. Goodman**, 30905 Stratford,
Solon, Ohio 44139

[**] **Term:** **14 Years**

[21] **Appl. No.:** **48,738**

[22] **Filed:** **Jan. 16, 1996**

[51] **LOC (6) Cl.** **07-06**

[52] **U.S. Cl.** **D7/704**

[58] **Field of Search** D6/512, 566, 567;
D7/701, 704; 211/74-75, 181, 106; 248/153

[56] **References Cited**

U.S. PATENT DOCUMENTS

D. 180,676	7/1957	Thorpe	D7/704
D. 216,690	3/1970	Robak	D7/704
D. 260,463	9/1981	Imus	D7/704 X
5,025,936	6/1991	Lamoreaux	211/74
5,558,236	9/1996	Williams et al.	211/74

Primary Examiner—Brian N. Vinson

Attorney, Agent, or Firm—Pearne, Gordon, McCoy & Granger

[57] **CLAIM**

The ornamental design for a wallmounted bottle holder, as shown and described.

DESCRIPTION

FIG. 1 is a front perspective view of a wallmounted bottle

holder in accordance with my new design showing a four bottle style;

FIG. 2 is a front elevational view thereof;

FIG. 3 is a right side elevational view thereof;

FIG. 4 is a top plan view thereof;

FIG. 5 is a left elevational view thereof;

FIG. 6 is a rear elevational view thereof;

FIG. 7 is a bottom plan view thereof;

FIG. 8 is a front perspective view of a second embodiment of a wallmounted bottle holder in accordance with my new design showing a six bottle style, the additional views of this wallmounted bottle holder being similar to the corresponding views of the first embodiment except for the number of holders; and,

FIG. 9 is a front perspective view of a second embodiment of a wallmounted bottle holder in accordance with my new design showing an eight bottle style, the additional views of this wallmounted bottle holder being similar to the corresponding views of the first embodiment except for the number of holders.

1 Claim, 4 Drawing Sheets

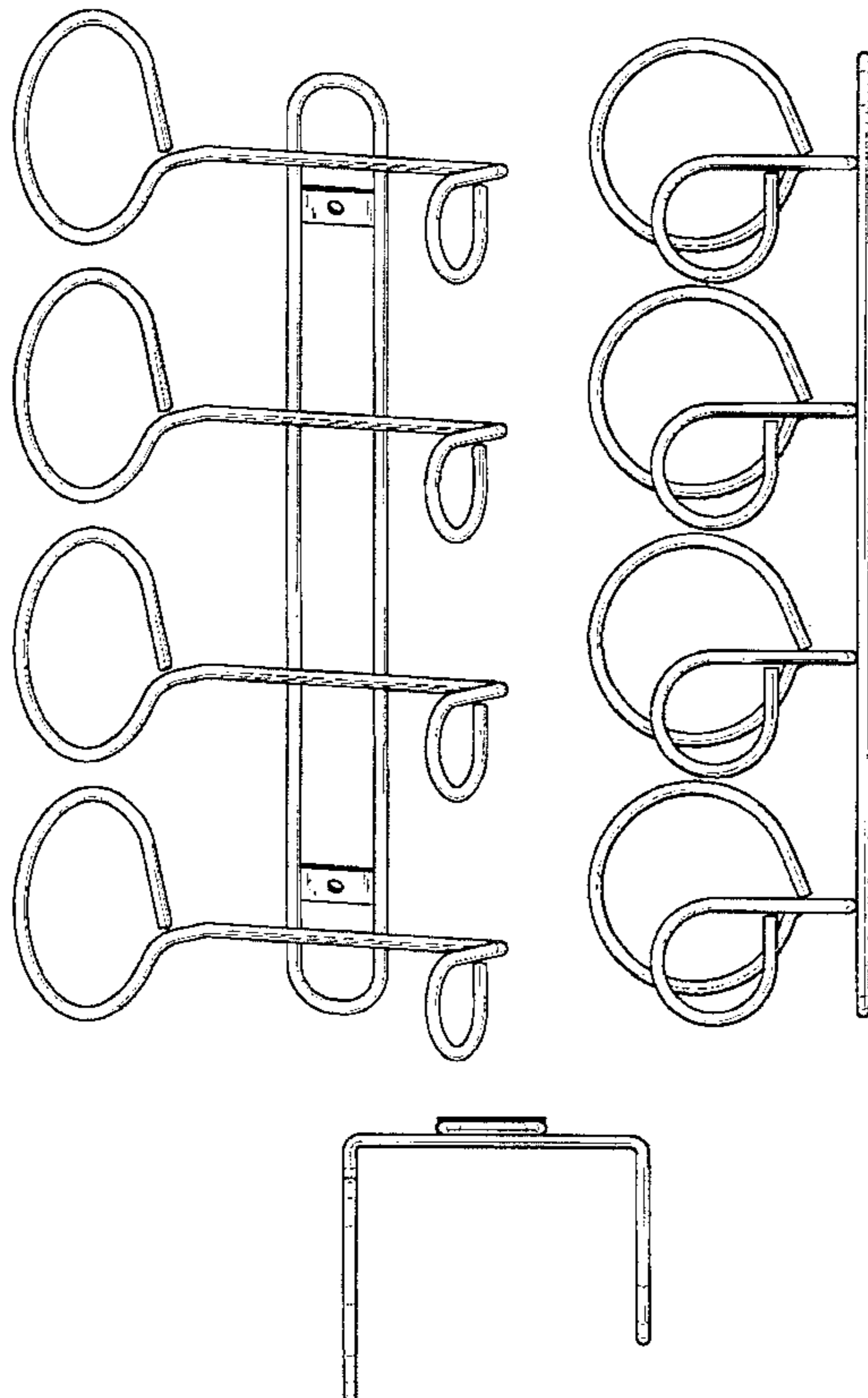
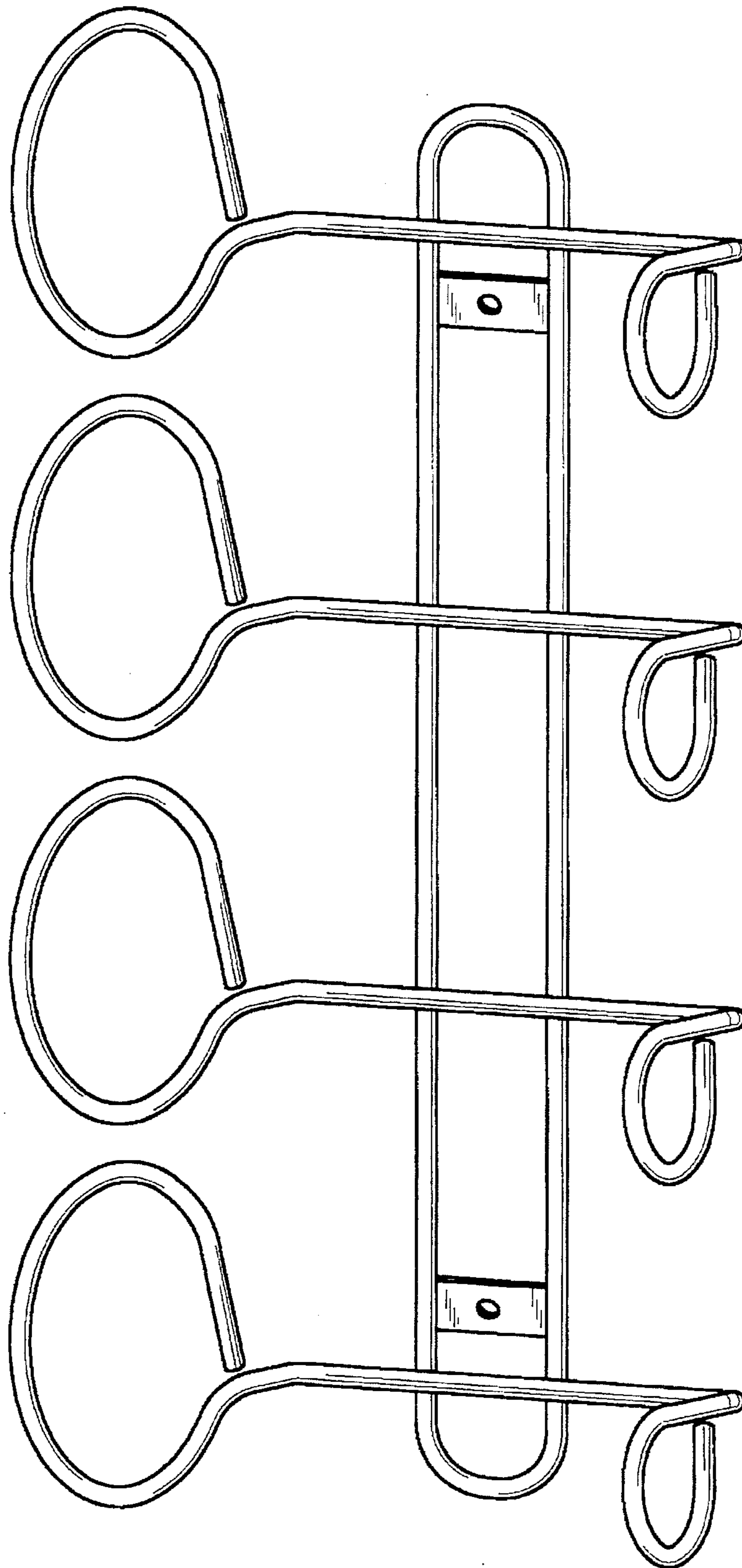


Fig. 1



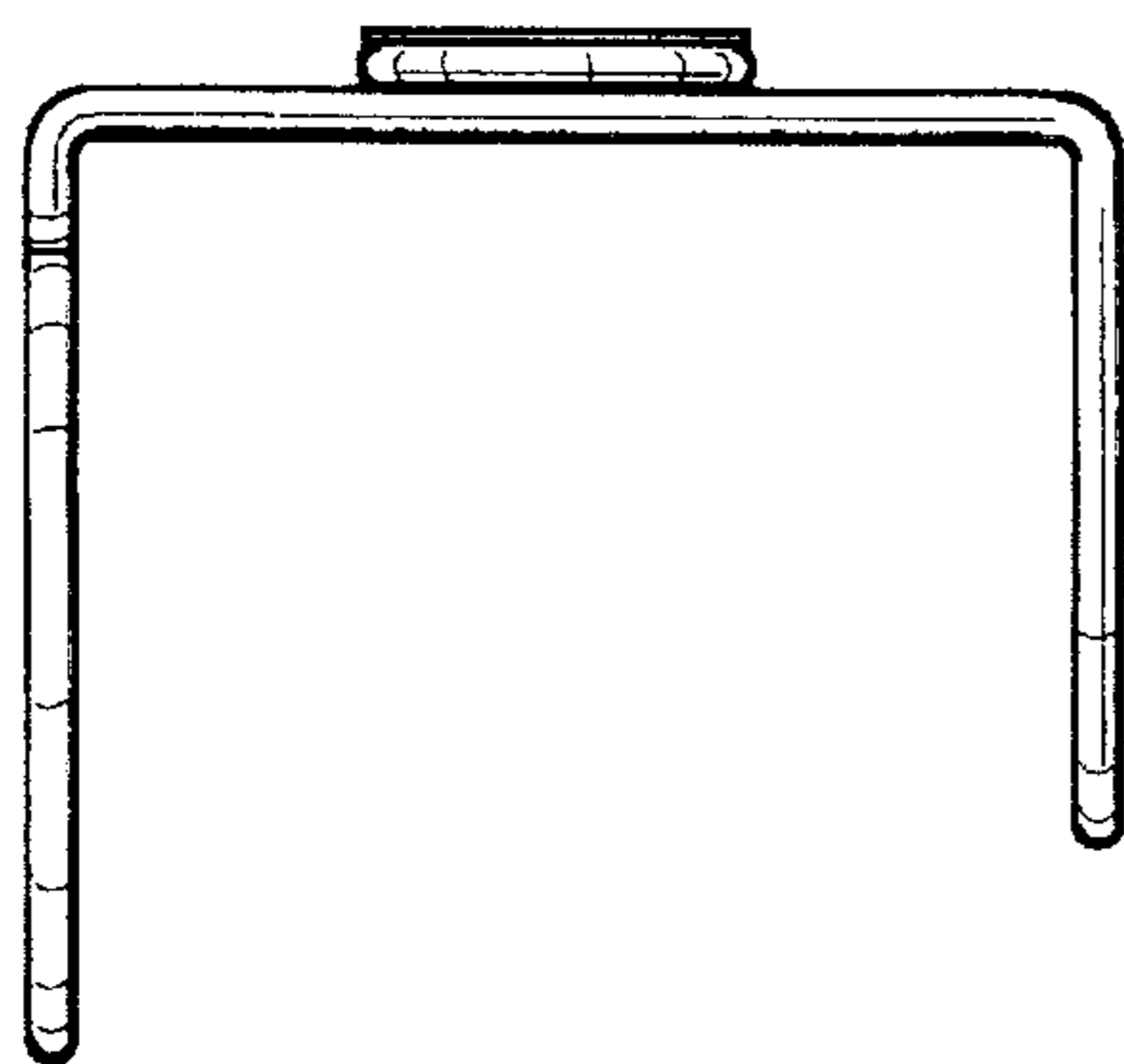


Fig. 4

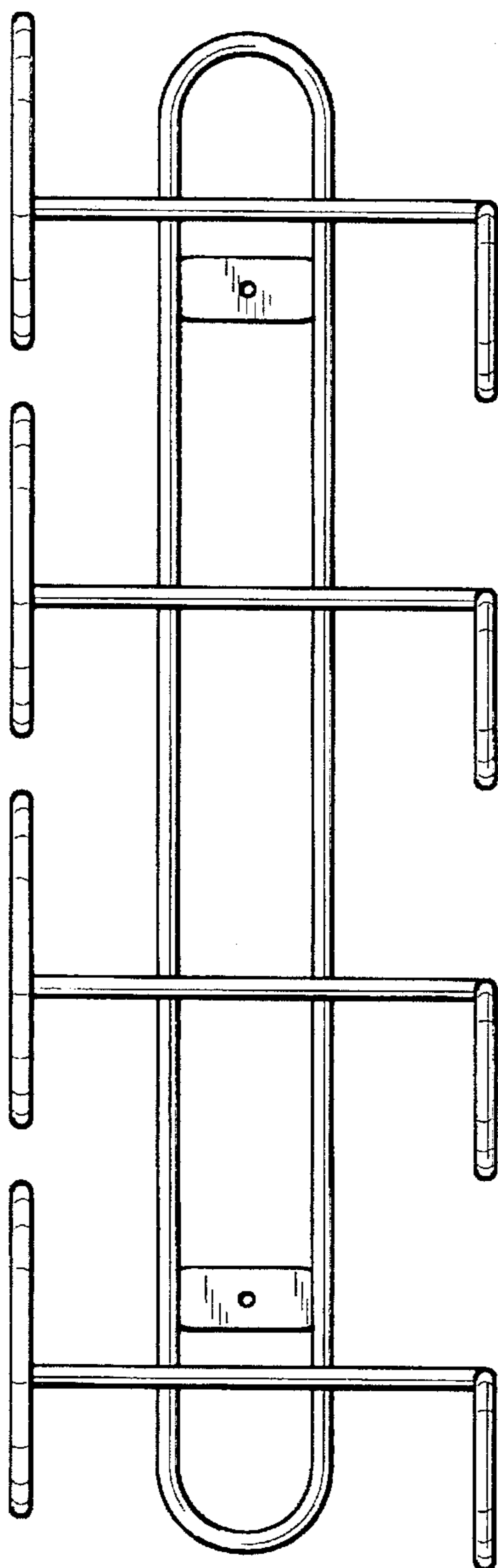


Fig. 2

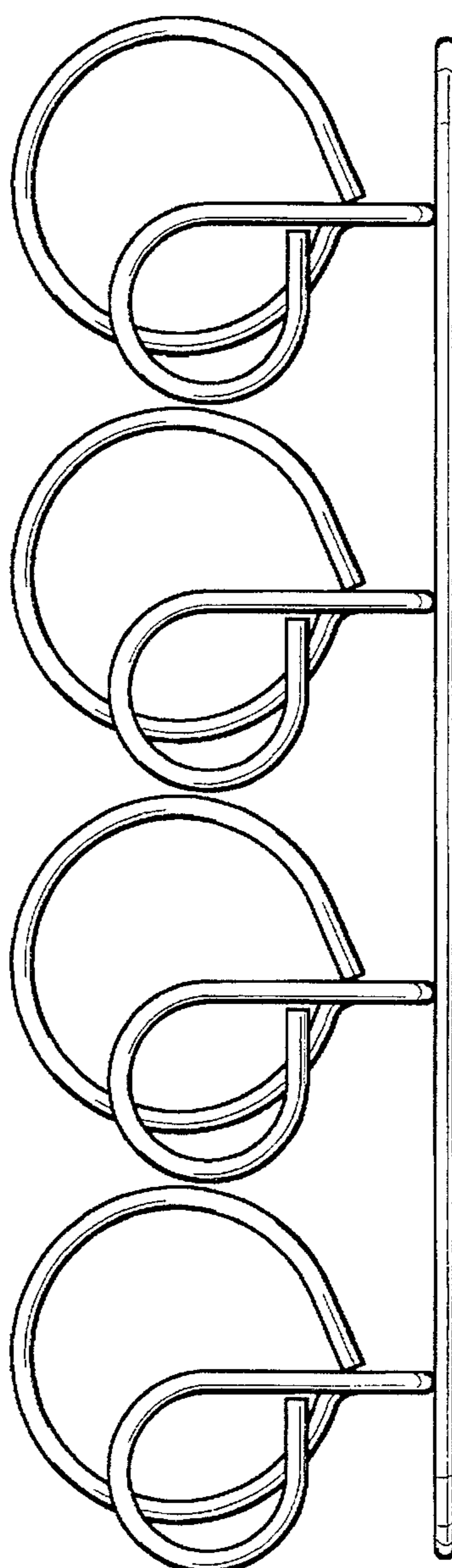


Fig. 3

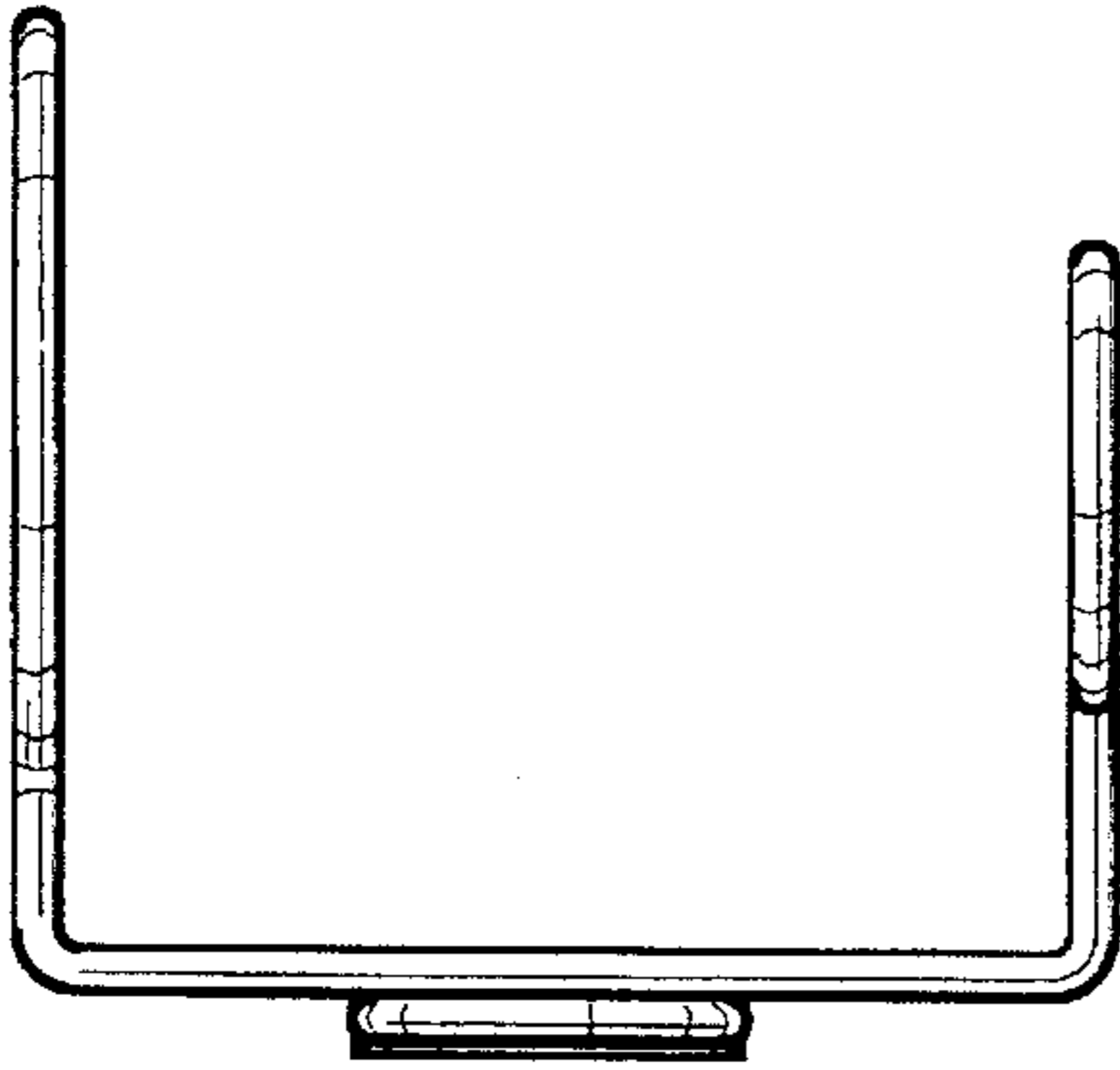


Fig. 7

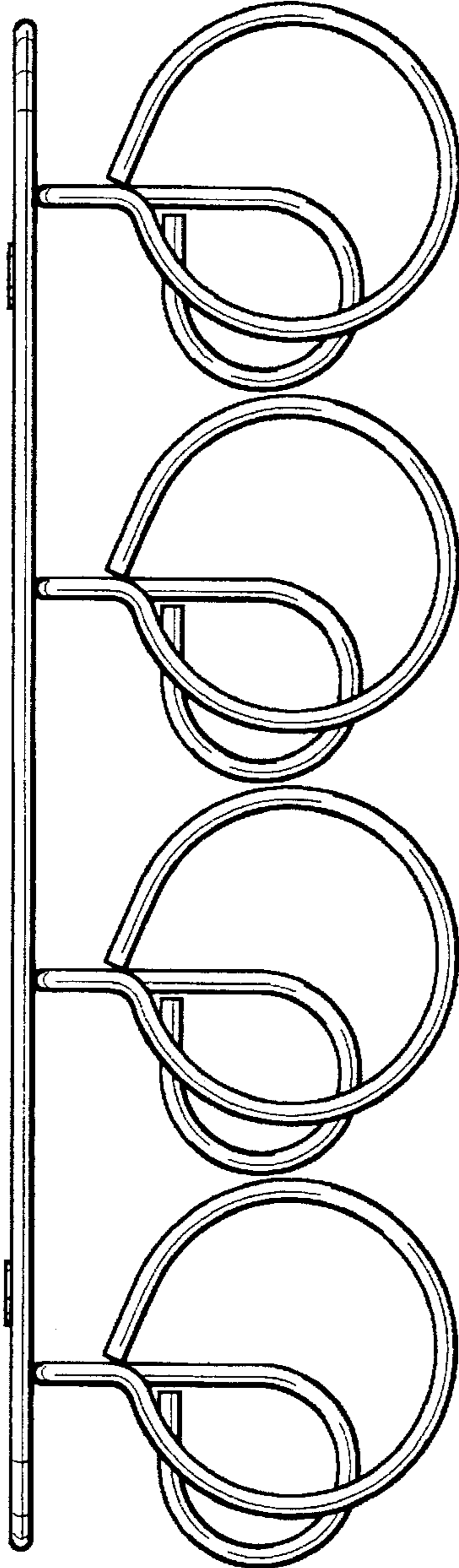


Fig. 5

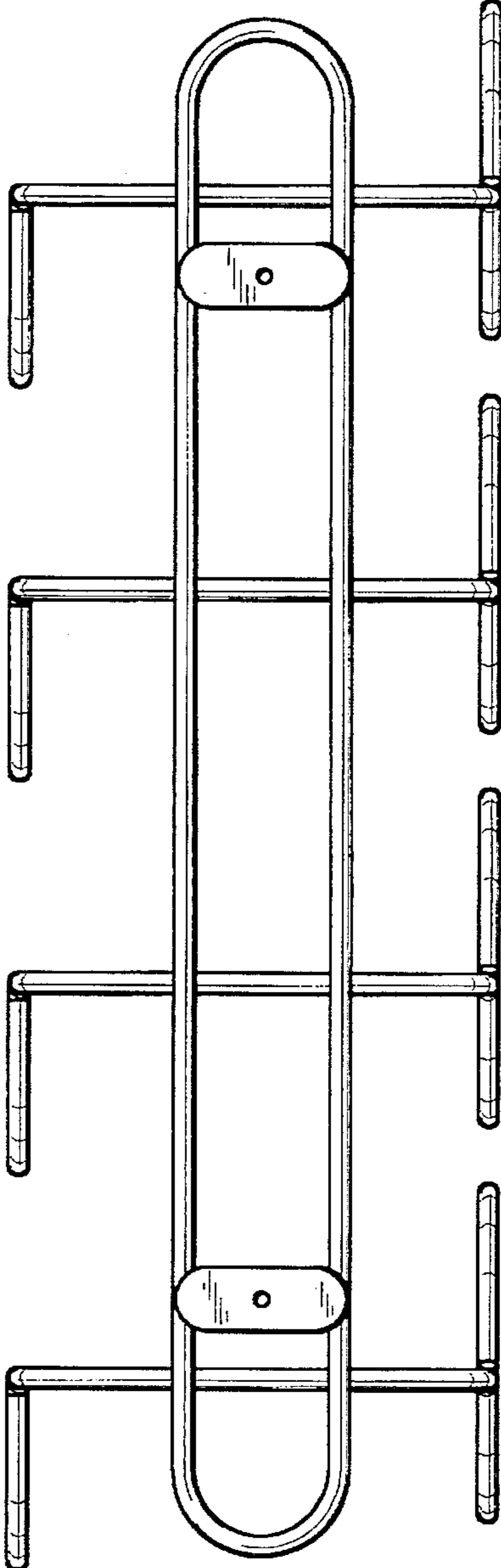


Fig. 6

Fig.8

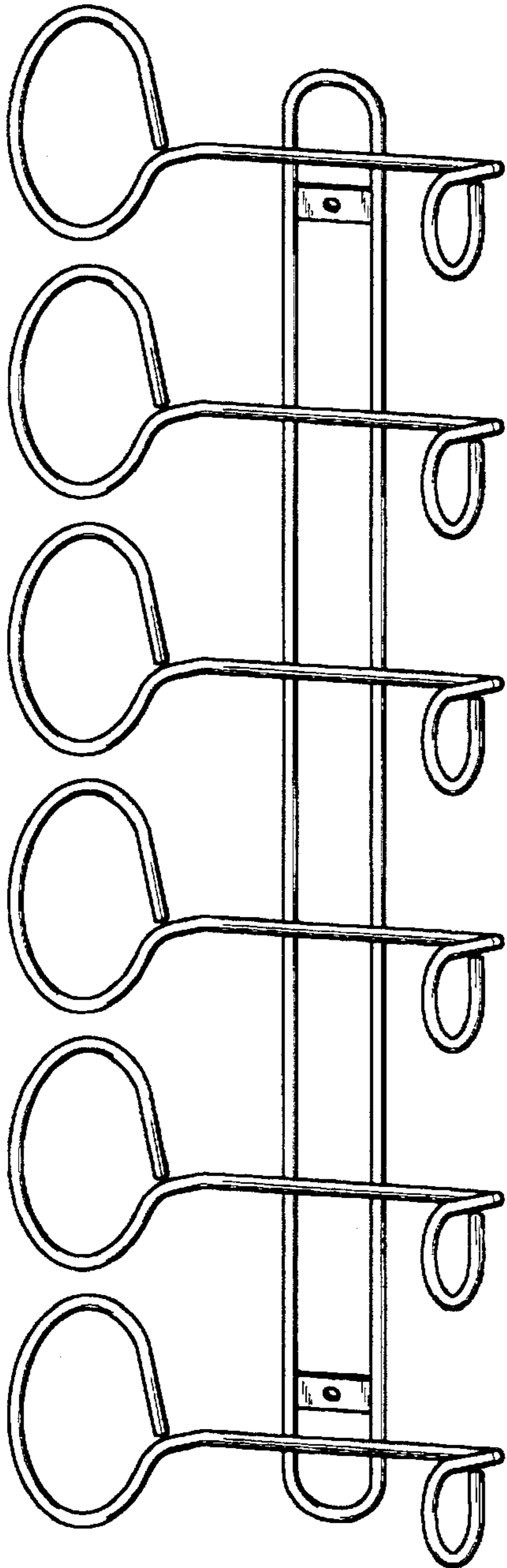


Fig.9

