



US00D383363S

**United States Patent** [19]  
**Norton**

[11] **Patent Number:** **Des. 383,363**  
[45] **Date of Patent:** **\*\*Sep. 9, 1997**

[54] **CUTTING BOARD**

[76] **Inventor:** **John K. Norton**, P.O. Box 444,  
Hudson, Ohio 44296

[\*\*] **Term:** **14 Years**

[21] **Appl. No.:** **60,127**

[22] **Filed:** **Sep. 23, 1996**

[51] **LOC (6) Cl.** ..... **07-04**

[52] **U.S. Cl.** ..... **D7/698**

[58] **Field of Search** ..... D7/698; D24/227;  
269/289 R, 291, 302.1, 303, 315, 900

[56] **References Cited**

**U.S. PATENT DOCUMENTS**

- D. 228,156 8/1973 Antaya ..... D24/227
- D. 262,507 1/1982 Wooldridge ..... D7/698
- D. 270,601 9/1983 Price ..... D7/698
- D. 283,390 4/1986 McGinnis ..... D7/698

*Primary Examiner*—Caron D. Veynar  
*Attorney, Agent, or Firm*—Renner, Kenner, Greive, Bobak,  
Taylor & Weber

[57] **CLAIM**

The ornamental design for a cutting board, as shown and described.

**DESCRIPTION**

FIG. 1 is a perspective view of a cutting board showing my new design;

FIG. 2 is a top plan view thereof;

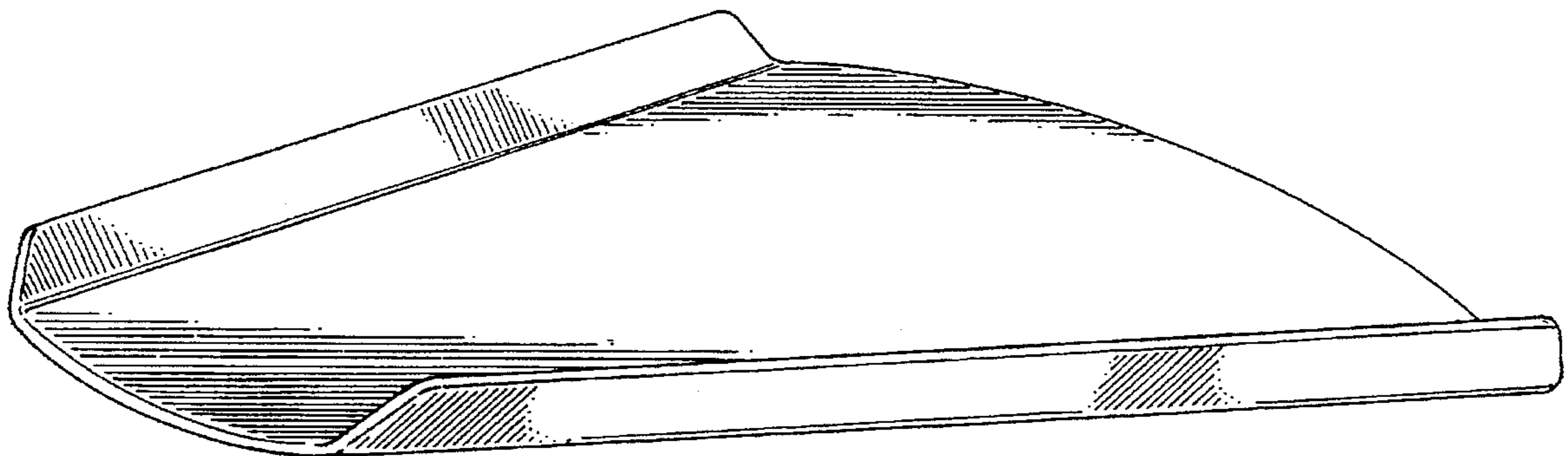
FIG. 3 is a bottom plan view thereof;

FIG. 4 is a rear elevational view thereof;

FIG. 5 is a front elevational view thereof; and,

FIG. 6 is a side elevational view thereof, the other side being a mirror image.

**1 Claim, 3 Drawing Sheets**



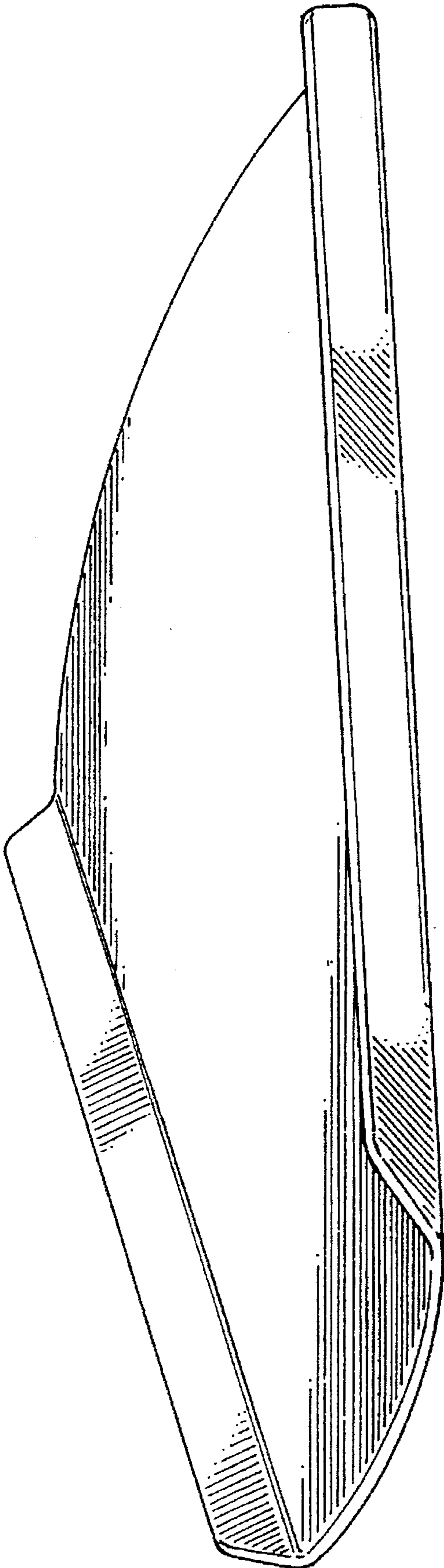


FIG. 1

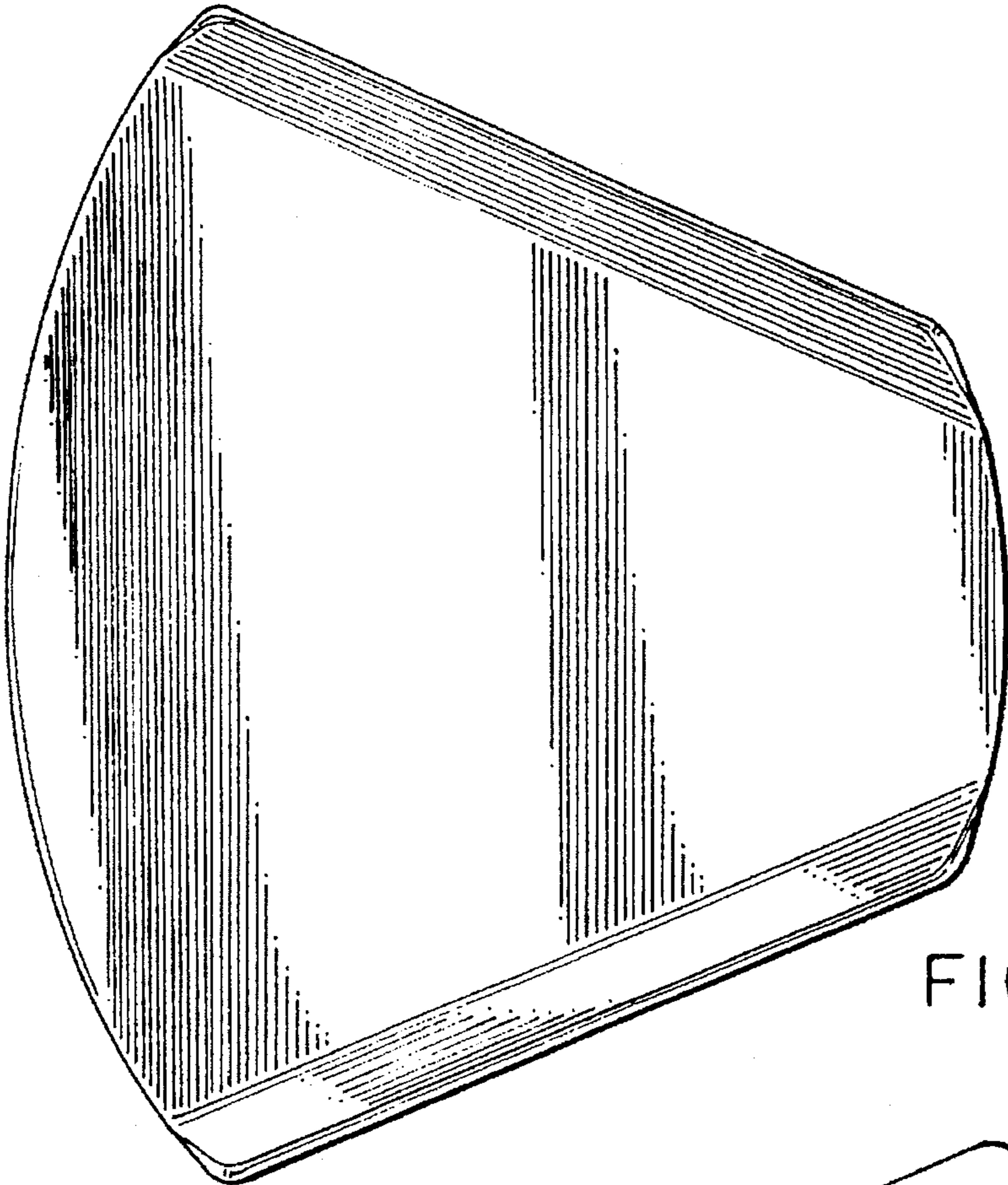


FIG. 2

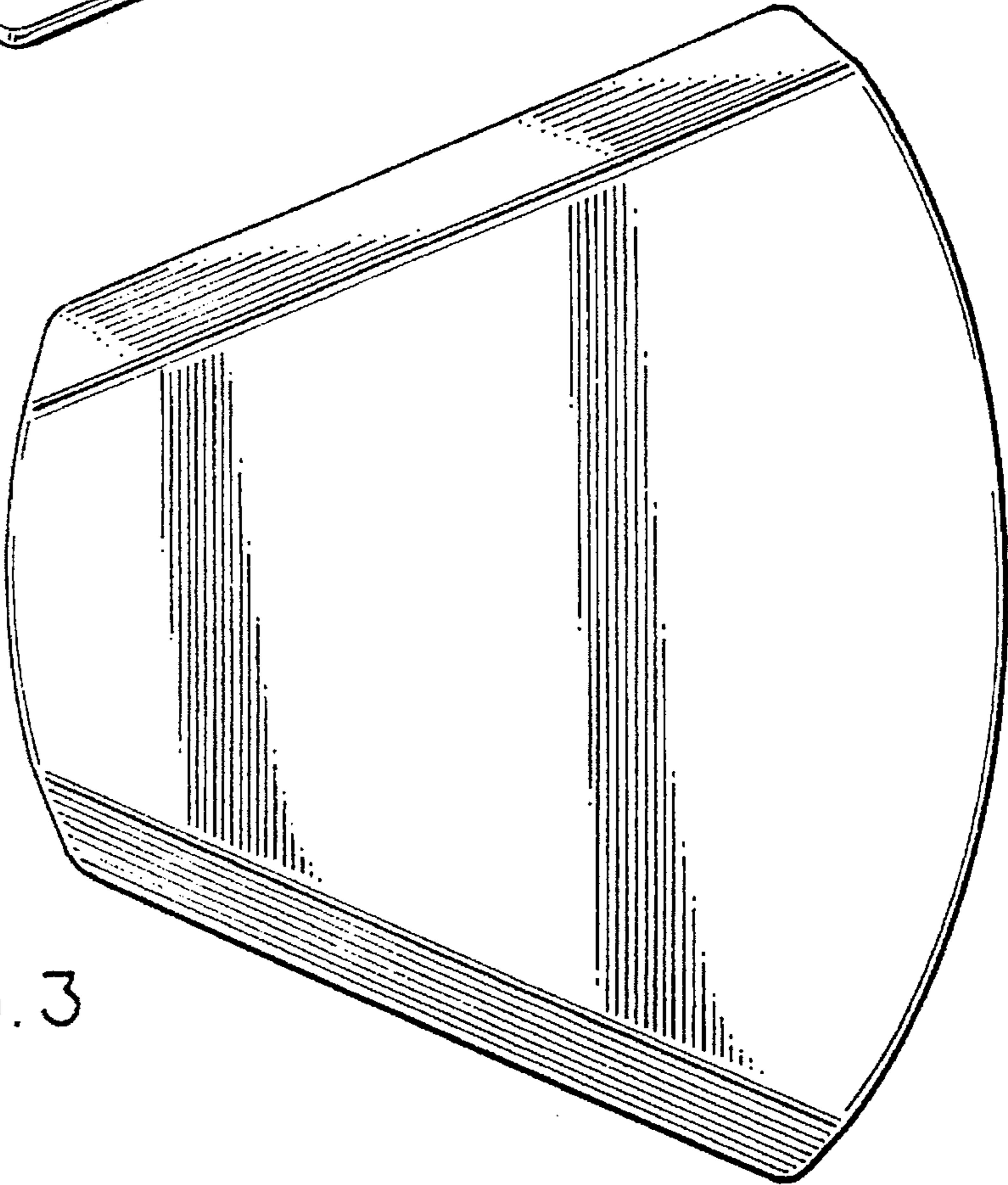


FIG. 3



FIG. 4



FIG. 5

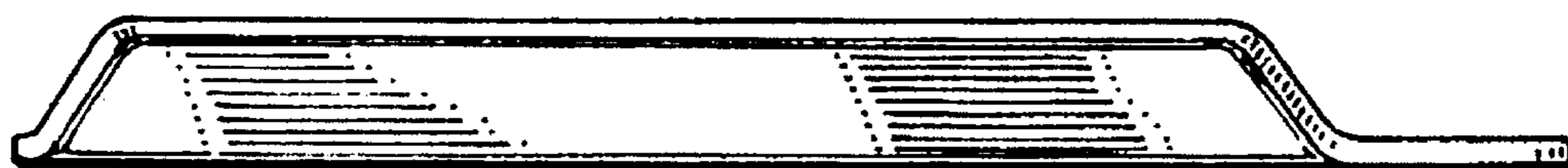


FIG. 6