



US00D383356S

**United States Patent** [19]  
**Stuck**

[11] **Patent Number:** **Des. 383,356**  
[45] **Date of Patent:** **\*\*Sep. 9, 1997**

[54] **GAS-FIRED BURNER WITH CHARCOAL BRIQUETTE SUPPORT**

[76] **Inventor:** **Robert M. Stuck**, 17 Old Stage Trail,  
Lake Wylie, S.C. 29710

[\*\*] **Term:** **14 Years**

[21] **Appl. No.:** **46,876**

[22] **Filed:** **Nov. 20, 1995**

[51] **LOC (6) Cl.** ..... **23-03**

[52] **U.S. Cl.** ..... **D7/407; D7/332**

[58] **Field of Search** ..... **D7/332, 407, 408,**  
**D7/409, 341, 328; D26/114; 99/385, 391,**  
**401; 431/268, 270; 126/39 E, 41 R, 25 R,**  
**9 R**

[56] **References Cited**

**U.S. PATENT DOCUMENTS**

D. 99,186	4/1936	Clifton	.....	D7/407
D. 369,720	5/1996	Giebel et al.	.....	D7/407
3,103,160	9/1963	Forniti et al.	.....	126/41
4,471,749	9/1984	Glades	.....	126/25 R
4,706,643	11/1987	Tyson	.....	126/25 B X

*Primary Examiner*—Louis S. Zarfes

*Assistant Examiner*—Frank Martinez

*Attorney, Agent, or Firm*—Shefte, Pinckney & Sawyer

[57] **CLAIM**

The ornamental design for a gas-fired burner with charcoal briquette support, as shown and described.

**DESCRIPTION**

FIG. 1 is a perspective view of a gas-fired burner with charcoal briquette support, showing a first embodiment of my new design;

FIG. 2 is a top plan view thereof;

FIG. 3 is a side elevational view thereof;

FIG. 4 is a bottom plan view thereof;

FIG. 5 is a left end elevational view thereof;

FIG. 6 is a right end elevational view thereof;

FIG. 7 is another perspective view of a gas-fired burner with charcoal briquette support, showing a second embodiment of my new design;

FIG. 8 is a top plan view thereof;

FIG. 9 is a side elevational view thereof;

FIG. 10 is a bottom plan view thereof;

FIG. 11 is a left end elevational view thereof;

FIG. 12 is a right end elevational view thereof;

FIG. 13 is another perspective view of a gas-fired burner with charcoal briquette support, showing a third embodiment of my new design;

FIG. 14 is a top plan view thereof;

FIG. 15 is a side elevational view thereof;

FIG. 16 is a bottom plan view thereof;

FIG. 17 is a left end elevational view thereof;

FIG. 18 is a right end elevational view thereof;

FIG. 19 is another perspective view of a gas-fired burner with charcoal briquette support, showing a fourth embodiment of my new design;

FIG. 20 is a top plan view thereof;

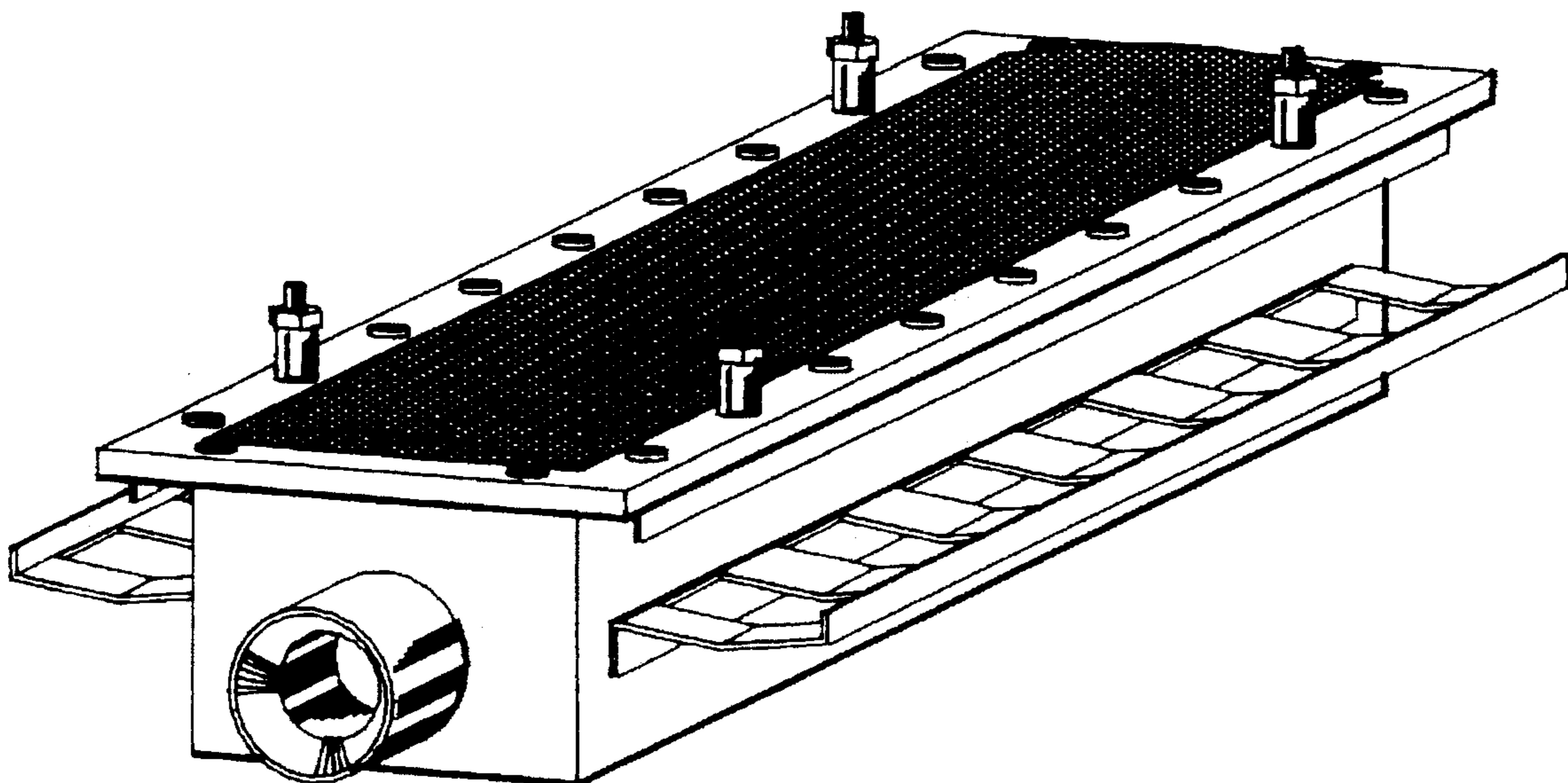
FIG. 21 is a side elevational view thereof;

FIG. 22 is a bottom plan view thereof;

FIG. 23 is a left end elevational view thereof; and,

FIG. 24 is a right end elevational view thereof.

**1 Claim, 4 Drawing Sheets**



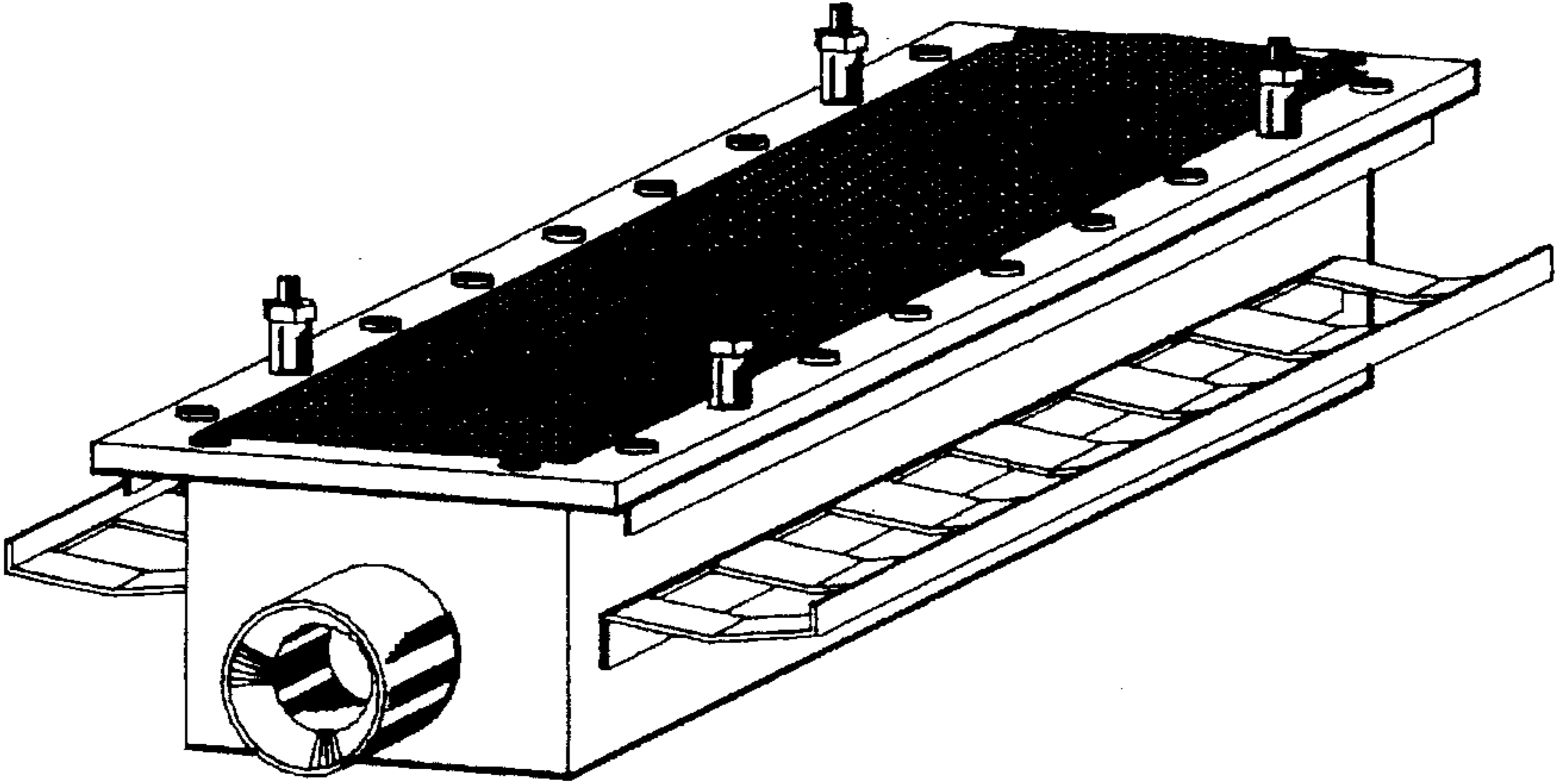


Fig. 1

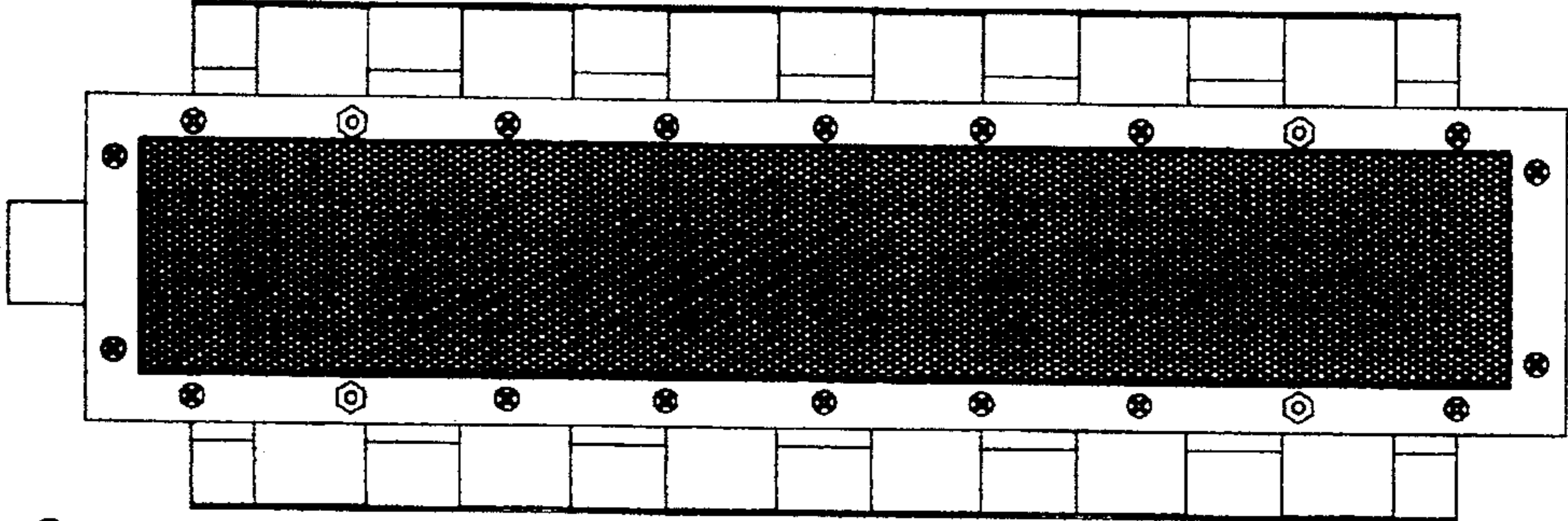


Fig. 2

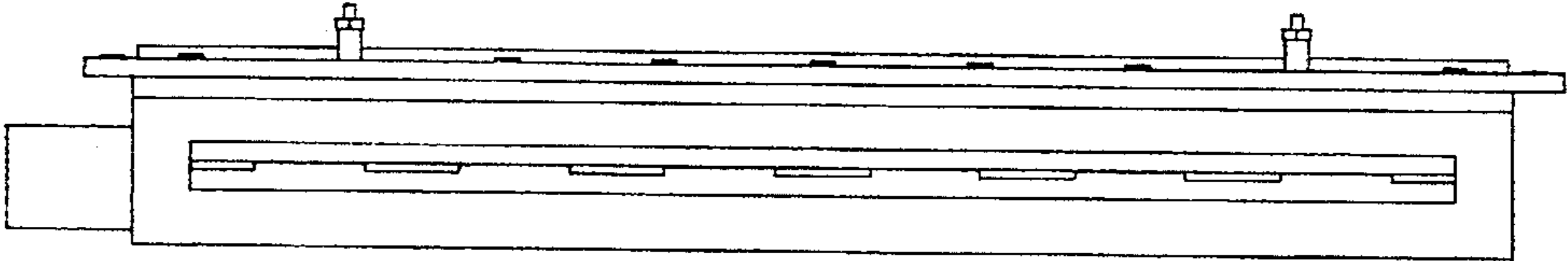


Fig. 3

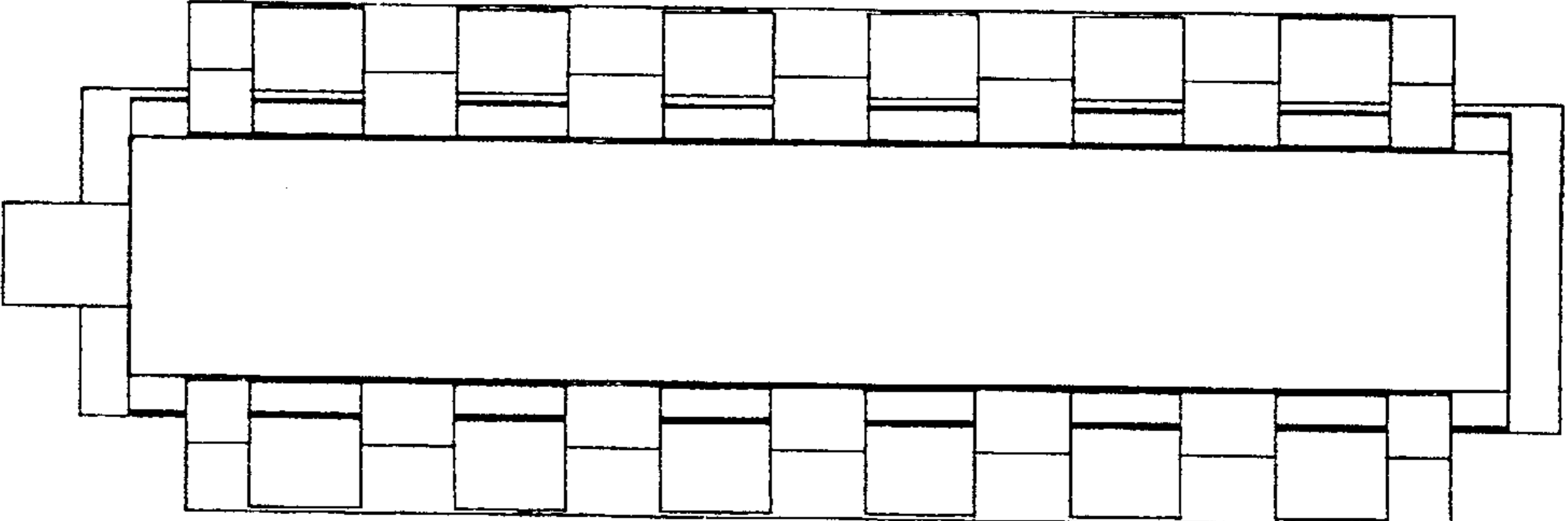


Fig. 4

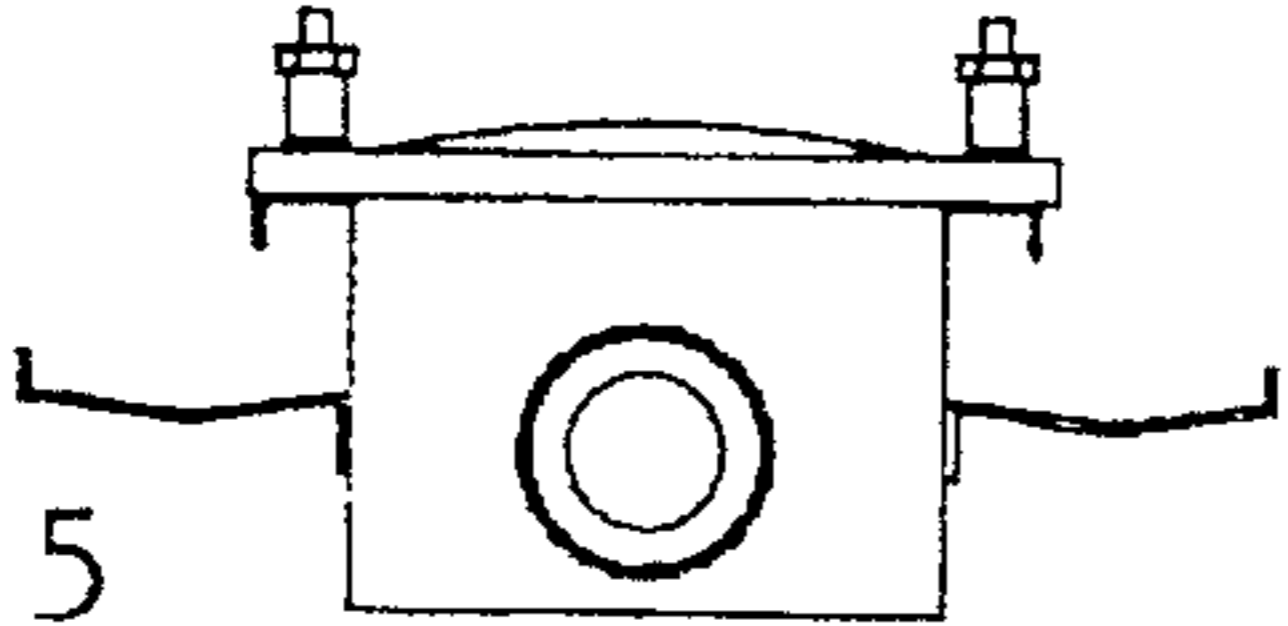


Fig. 5

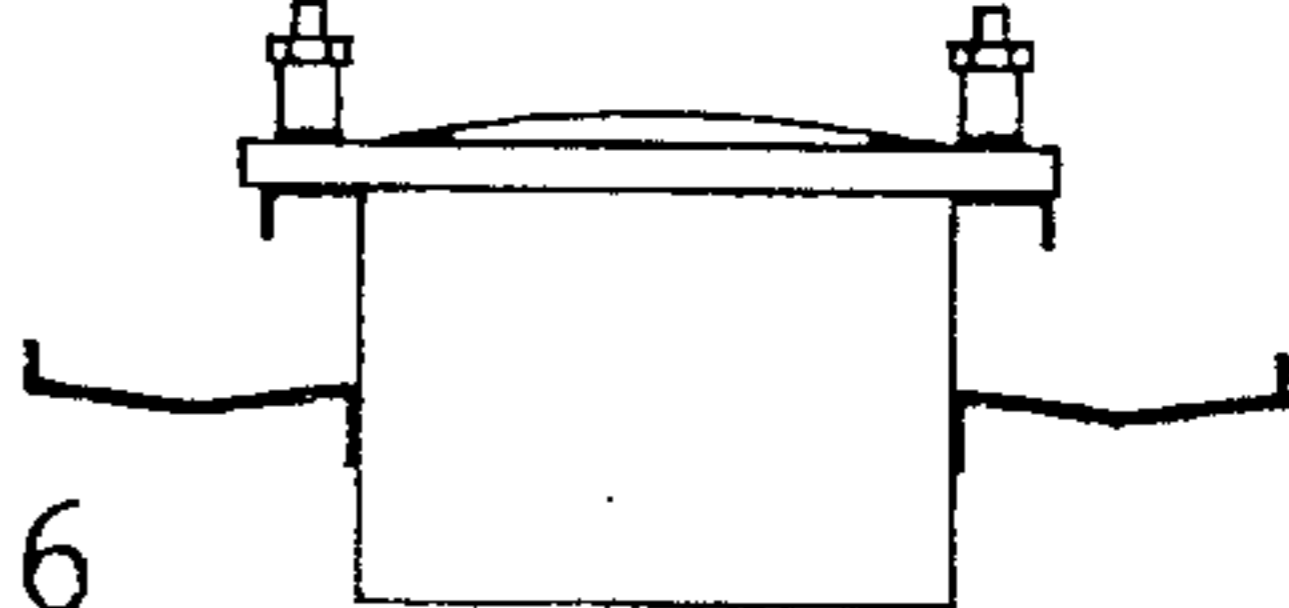


Fig. 6

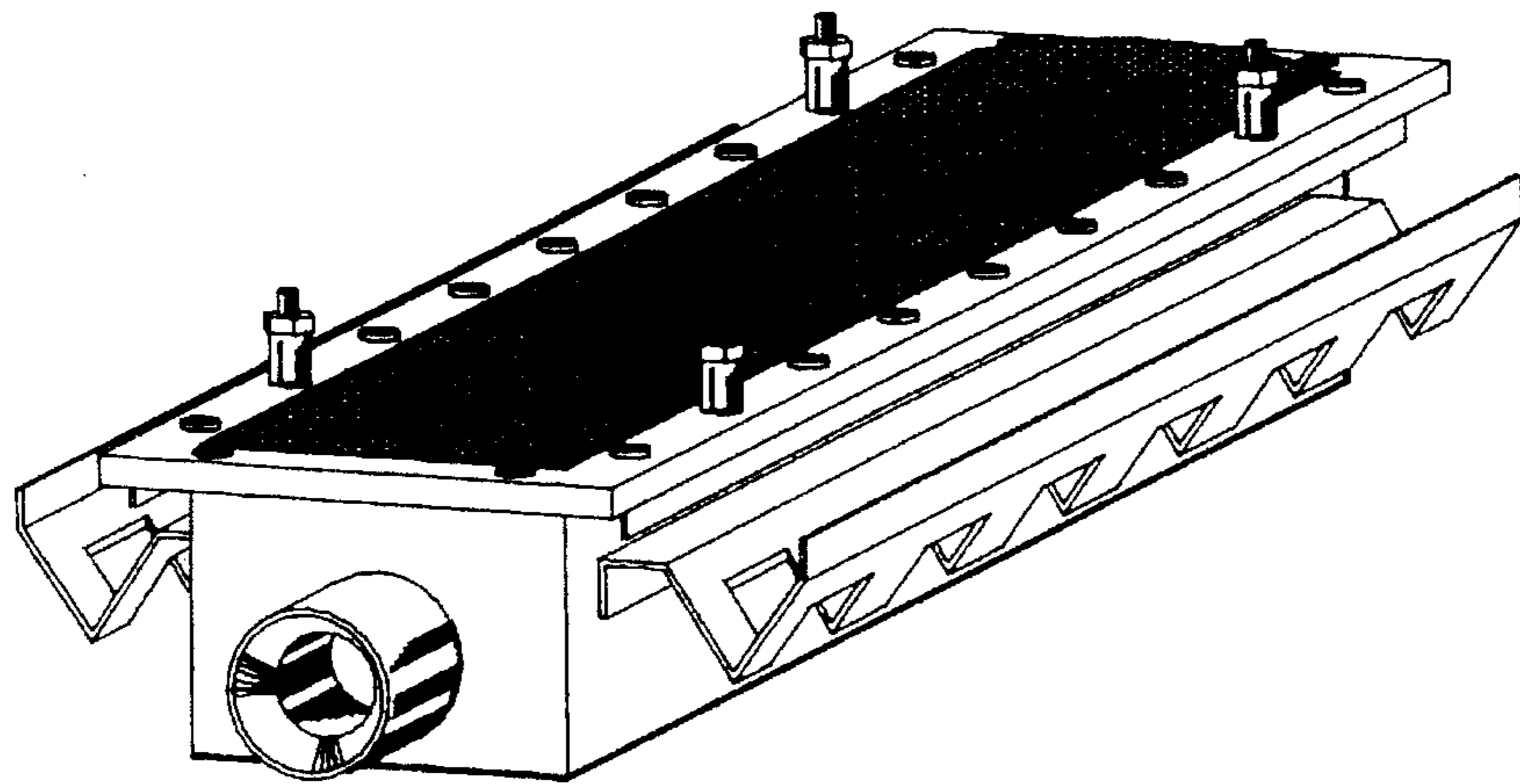


Fig. 7

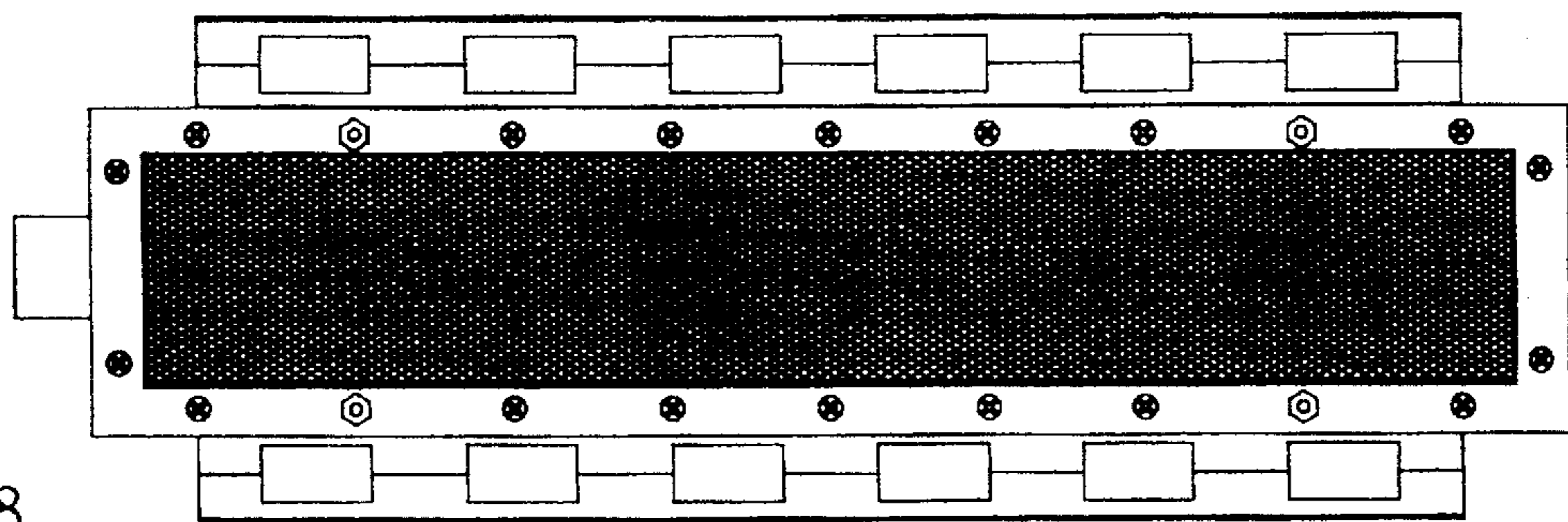


Fig. 8

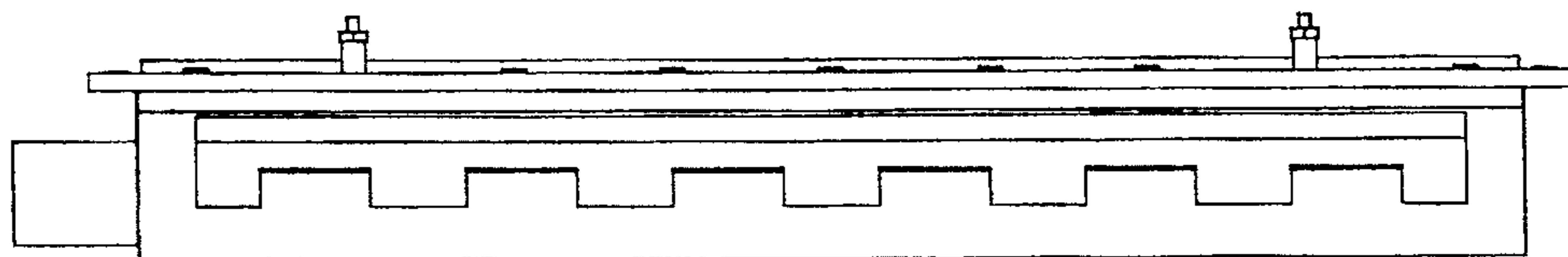


Fig. 9

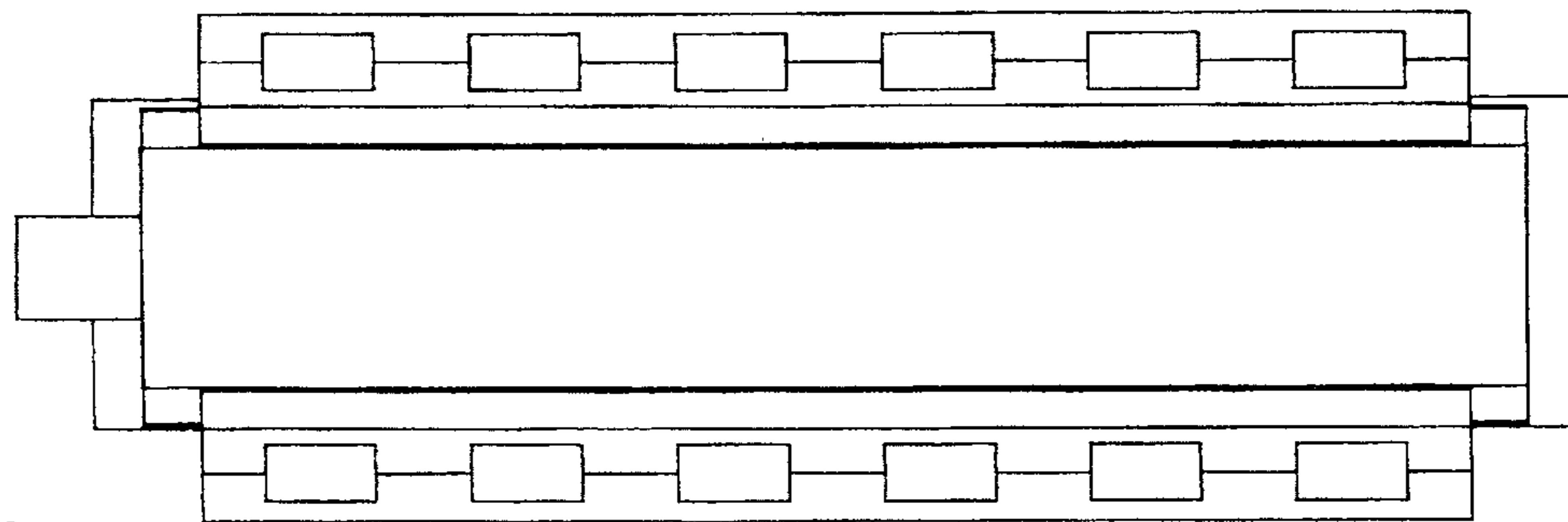


Fig. 10

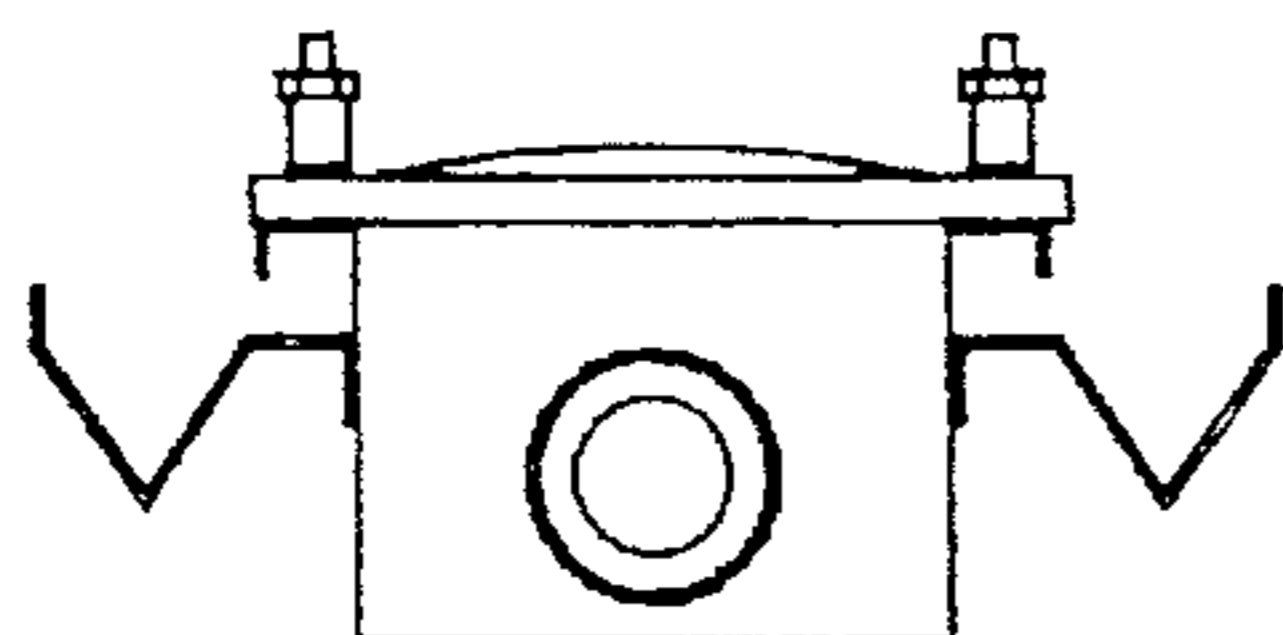


Fig. 11

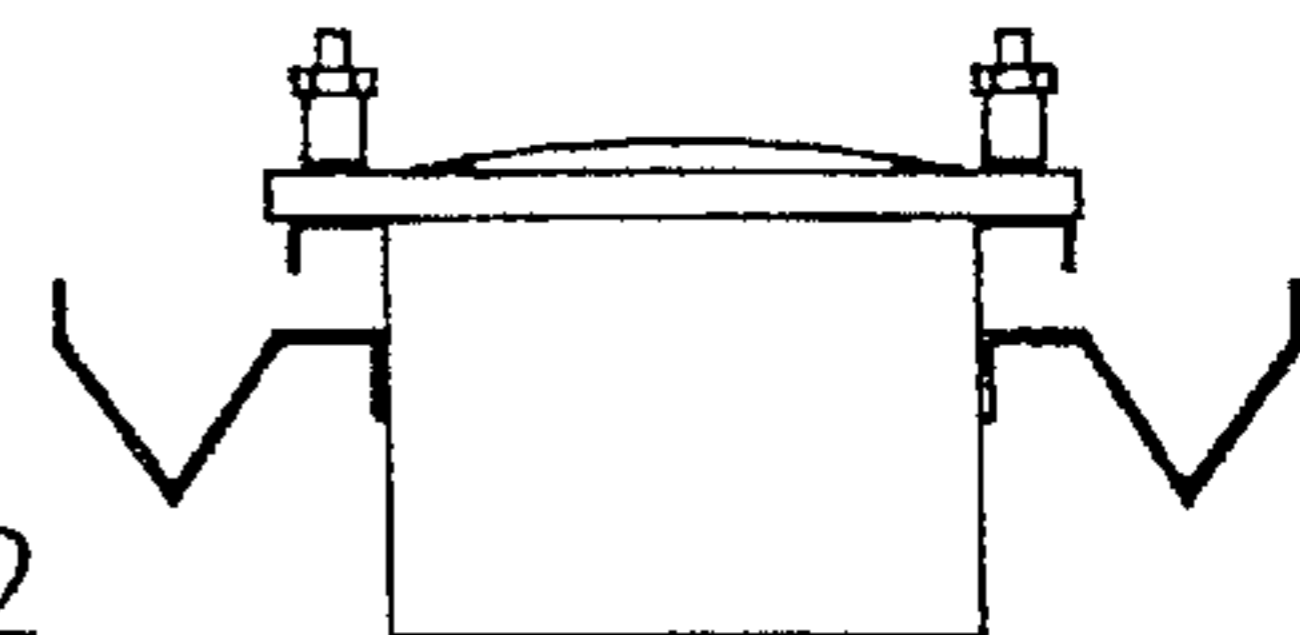


Fig. 12

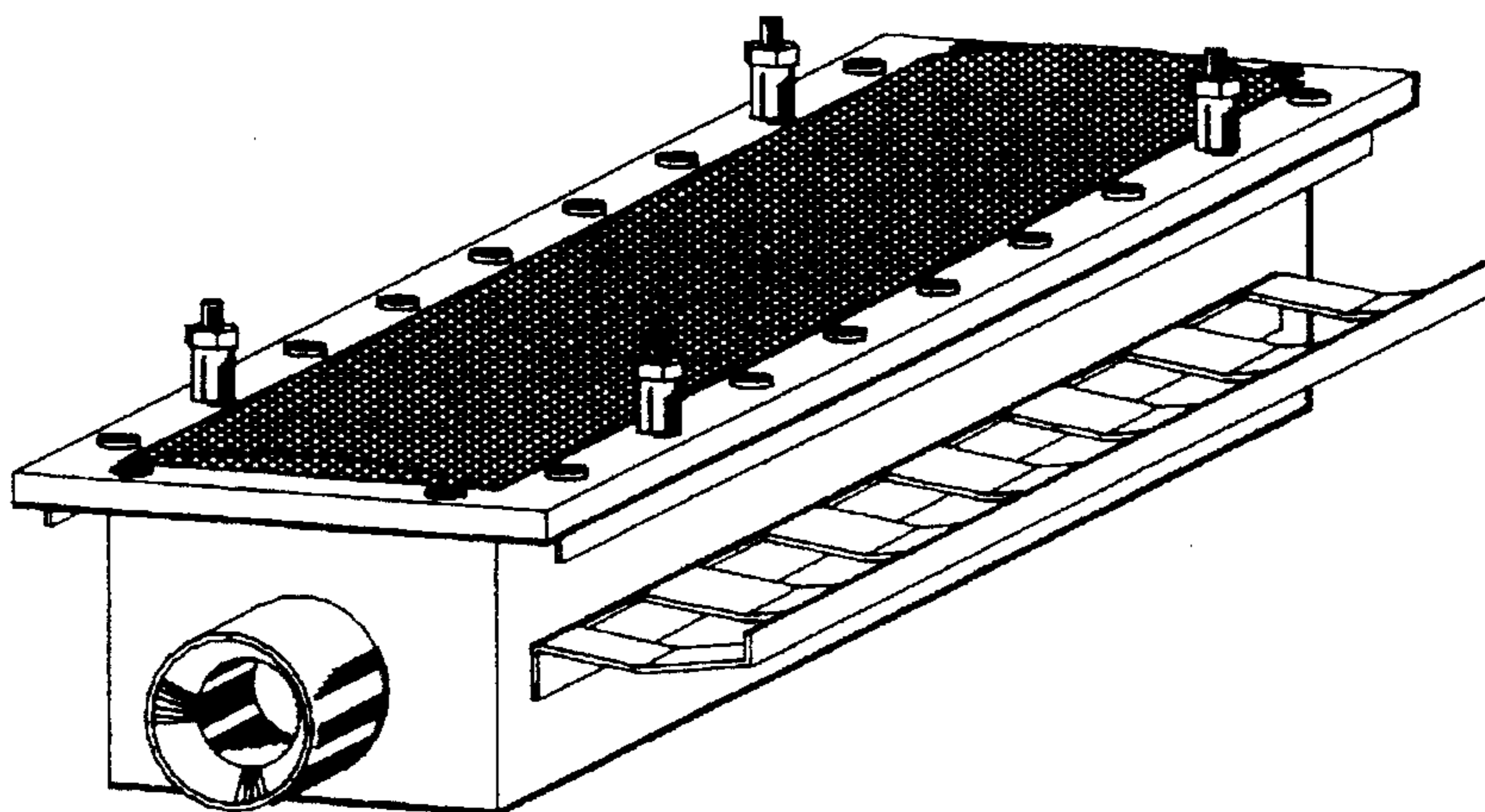


Fig. 13

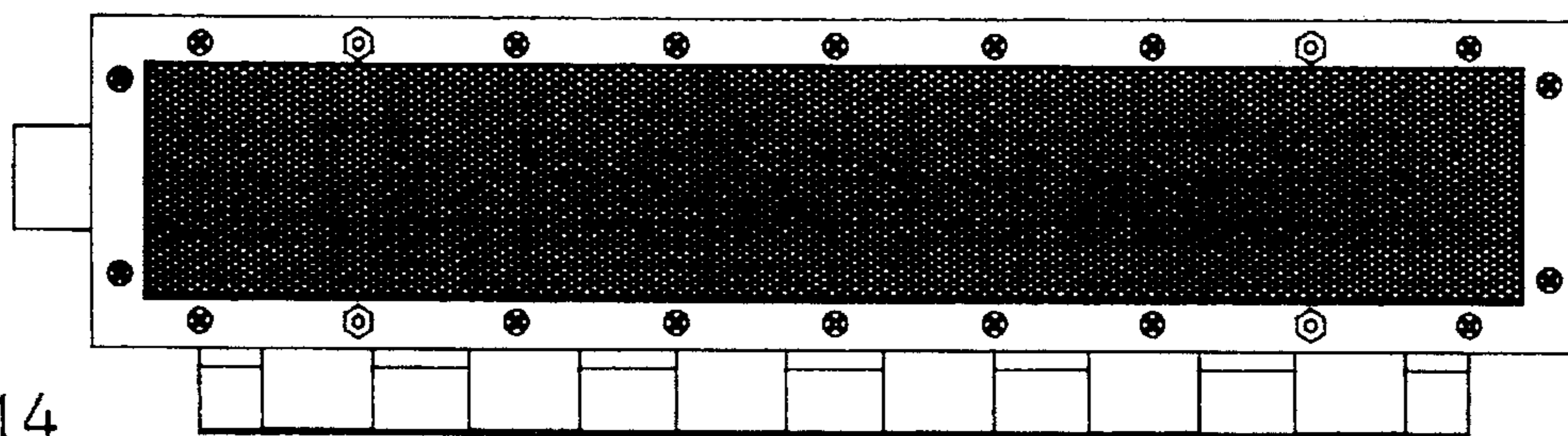


Fig. 14

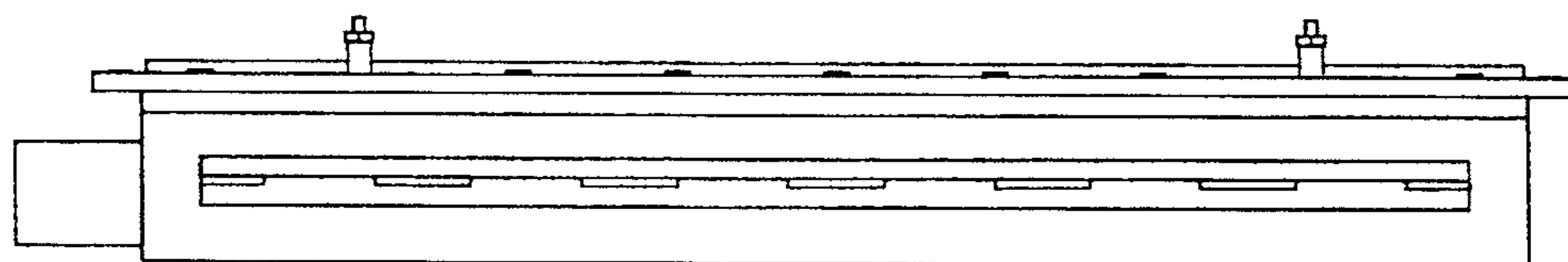


Fig. 15

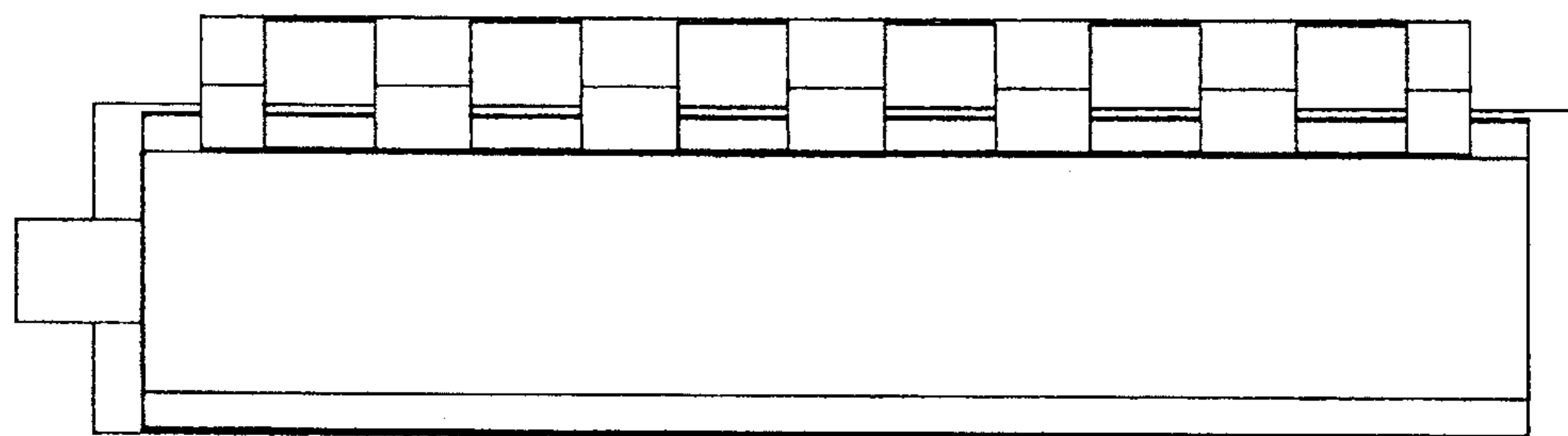


Fig. 16

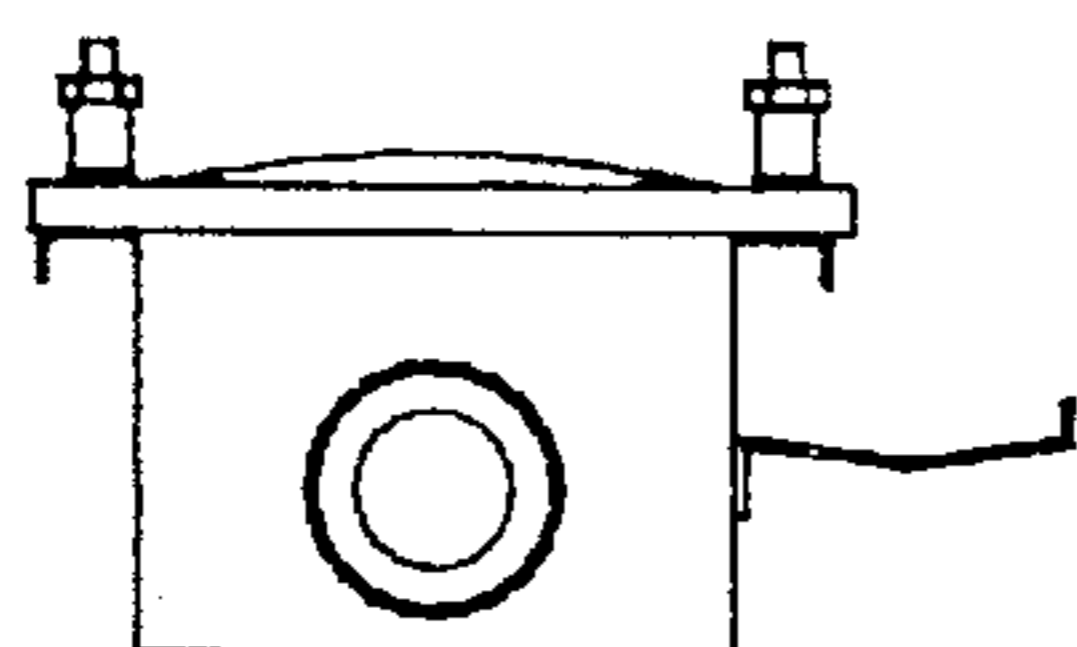


Fig. 17

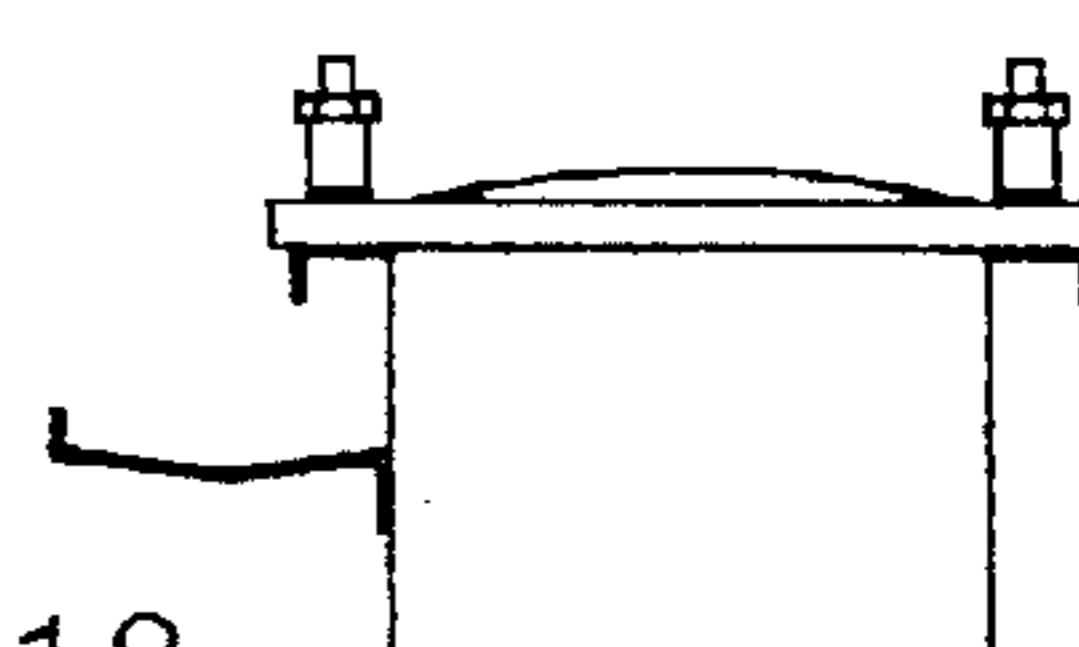


Fig. 18

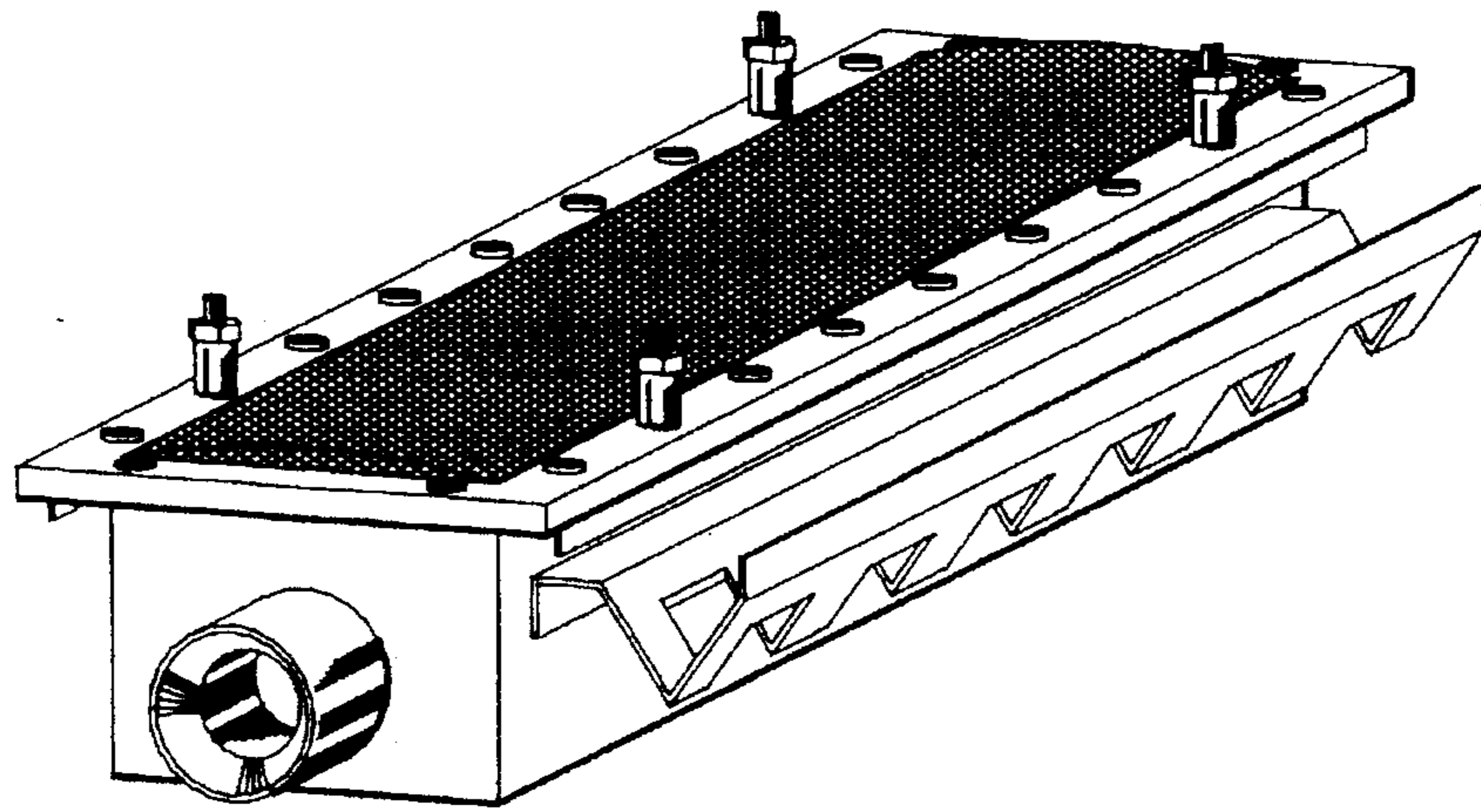


Fig. 19

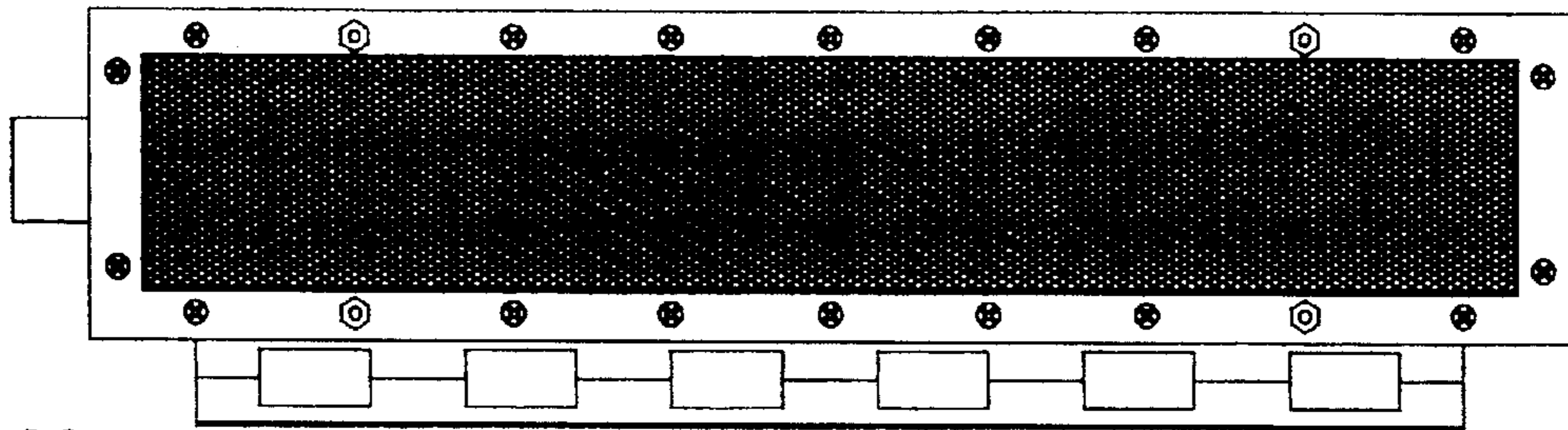


Fig. 20

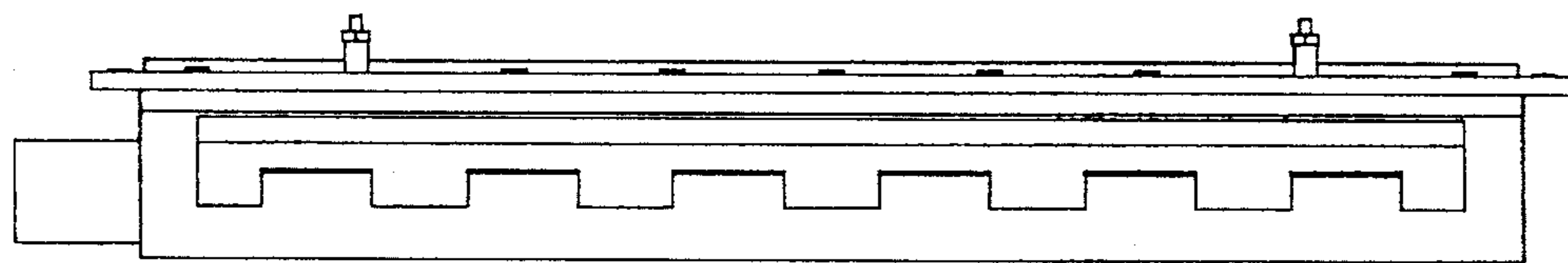


Fig. 21

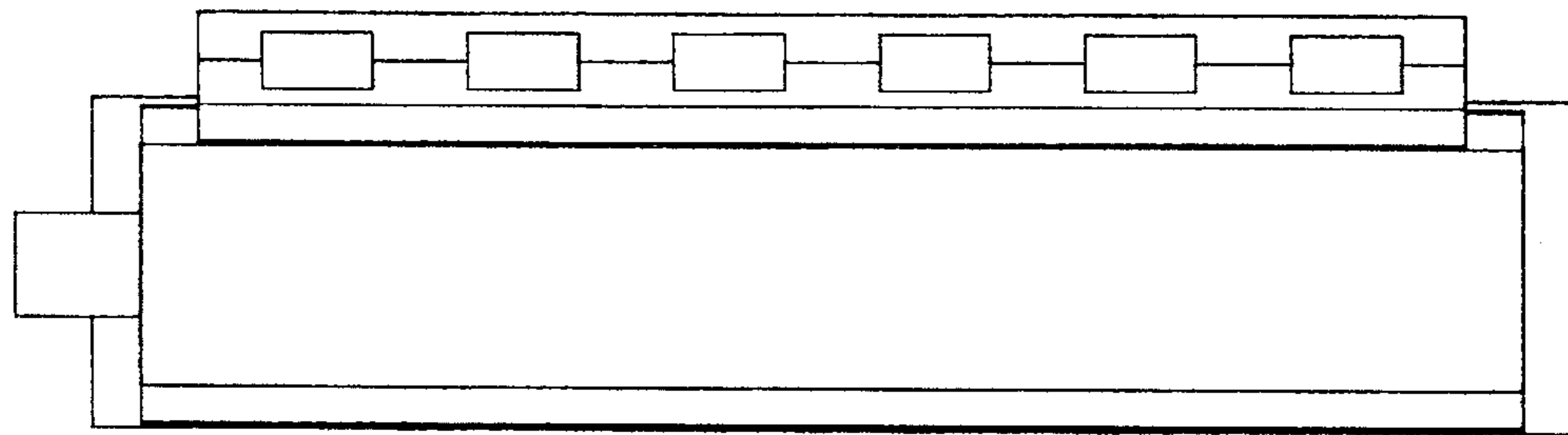


Fig. 22

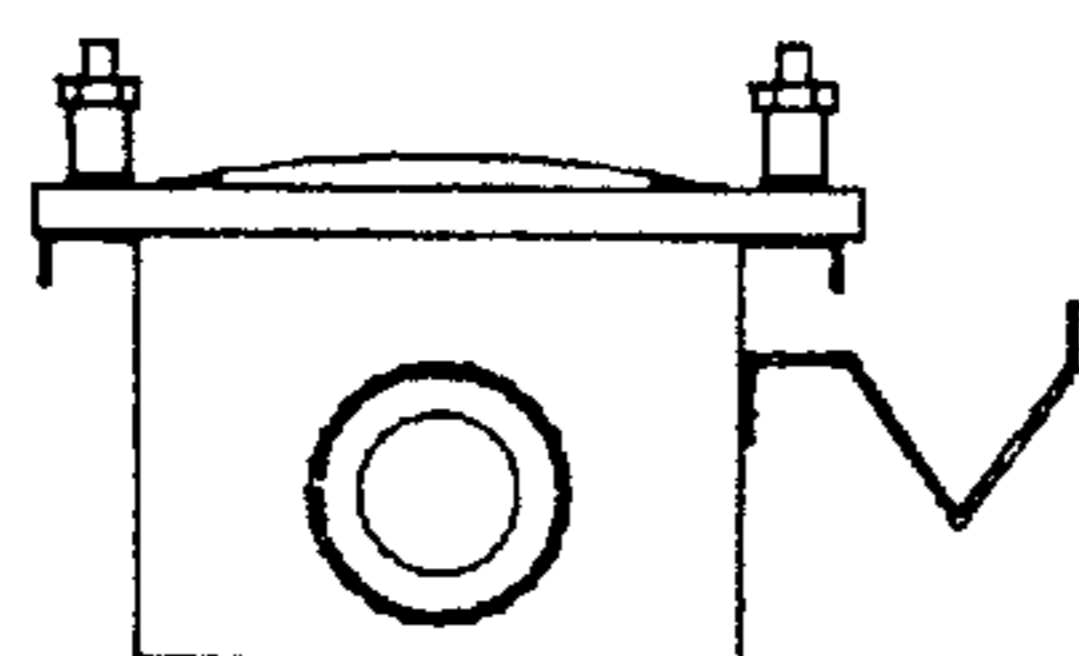


Fig. 23

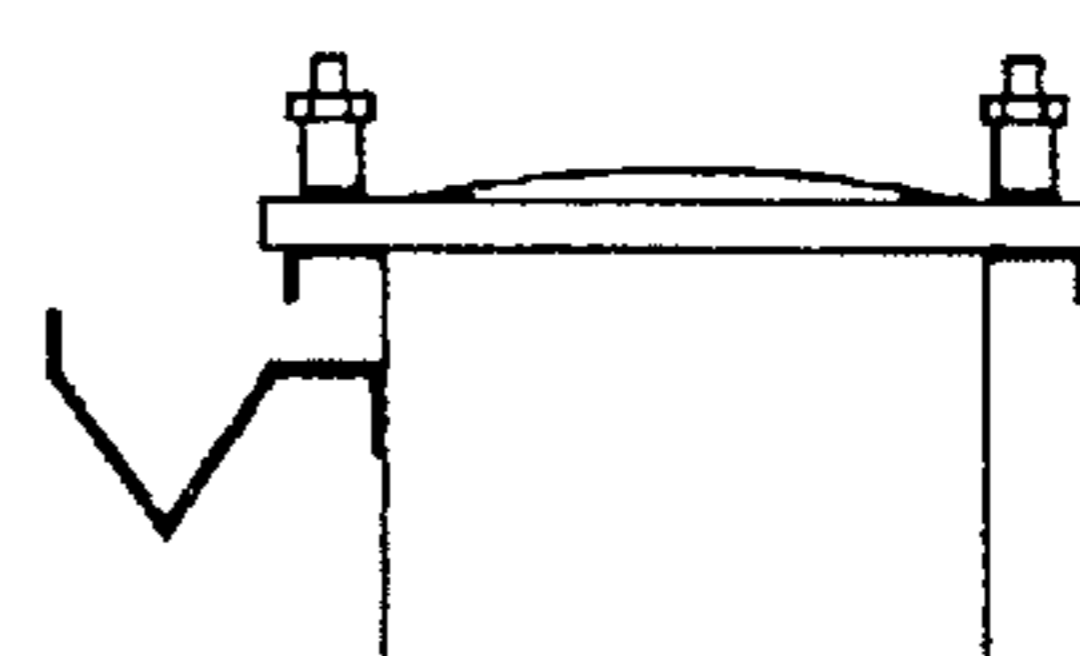


Fig. 24