



US00D383352S

United States Patent [19]
Powel

[11] **Patent Number:** **Des. 383,352**
[45] **Date of Patent:** ****Sep. 9, 1997**

[54] **TOASTER**

D. 142,037 8/1945 Page D7/328
D. 265,713 8/1982 Schmidli D7/329

[75] **Inventor:** **Dick Powel**, London, England

[73] **Assignee:** **SEB**, Selongey, France

[**] **Term:** **14 Years**

Primary Examiner—Caron D. Veynar
Attorney, Agent, or Firm—Loeb & Loeb LLP

[21] **Appl. No.:** **57,288**

[22] **Filed:** **Jul. 22, 1996**

[57] **CLAIM**

The ornamental design for a toaster, as shown.

[30] **Foreign Application Priority Data**

Jan. 22, 1996 [FR] France 96 04 16

DESCRIPTION

[51] **LOC (6) Cl.** **07-02**

[52] **U.S. Cl.** **D7/330**

[58] **Field of Search** D7/328-330, 390;
99/372, 385, 389

FIG. 1 is a front elevational view of a toaster showing my new design;

FIG. 2 is a rear elevational view thereof;

FIG. 3 is a right side elevational view thereof;

FIG. 4 is a left side elevational view thereof;

FIG. 5 is a top plan view thereof; and,

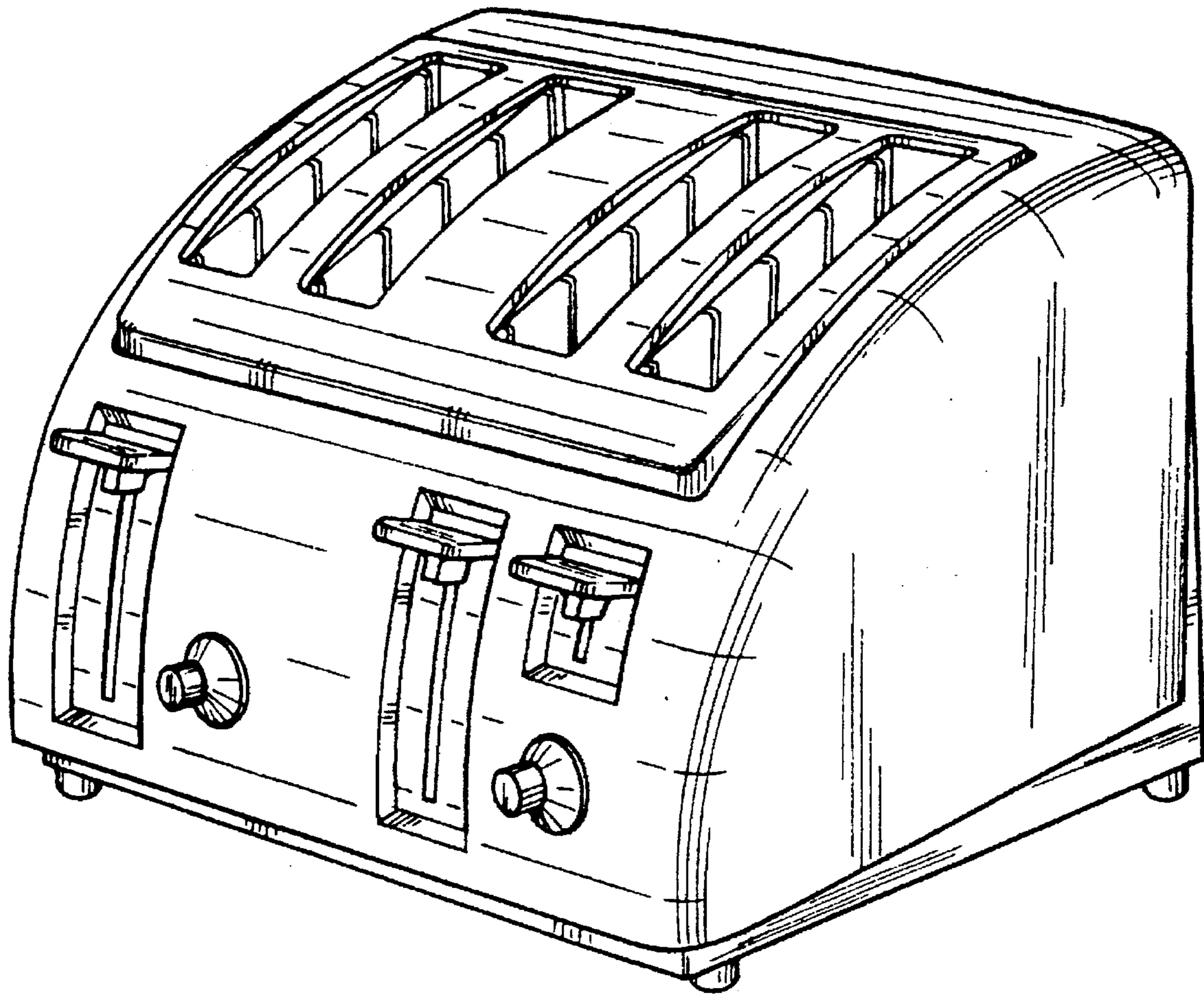
FIG. 6 is a perspective view thereof.

[56] **References Cited**

U.S. PATENT DOCUMENTS

D. 91,978 4/1934 Barnes et al. D7/328

1 Claim, 3 Drawing Sheets



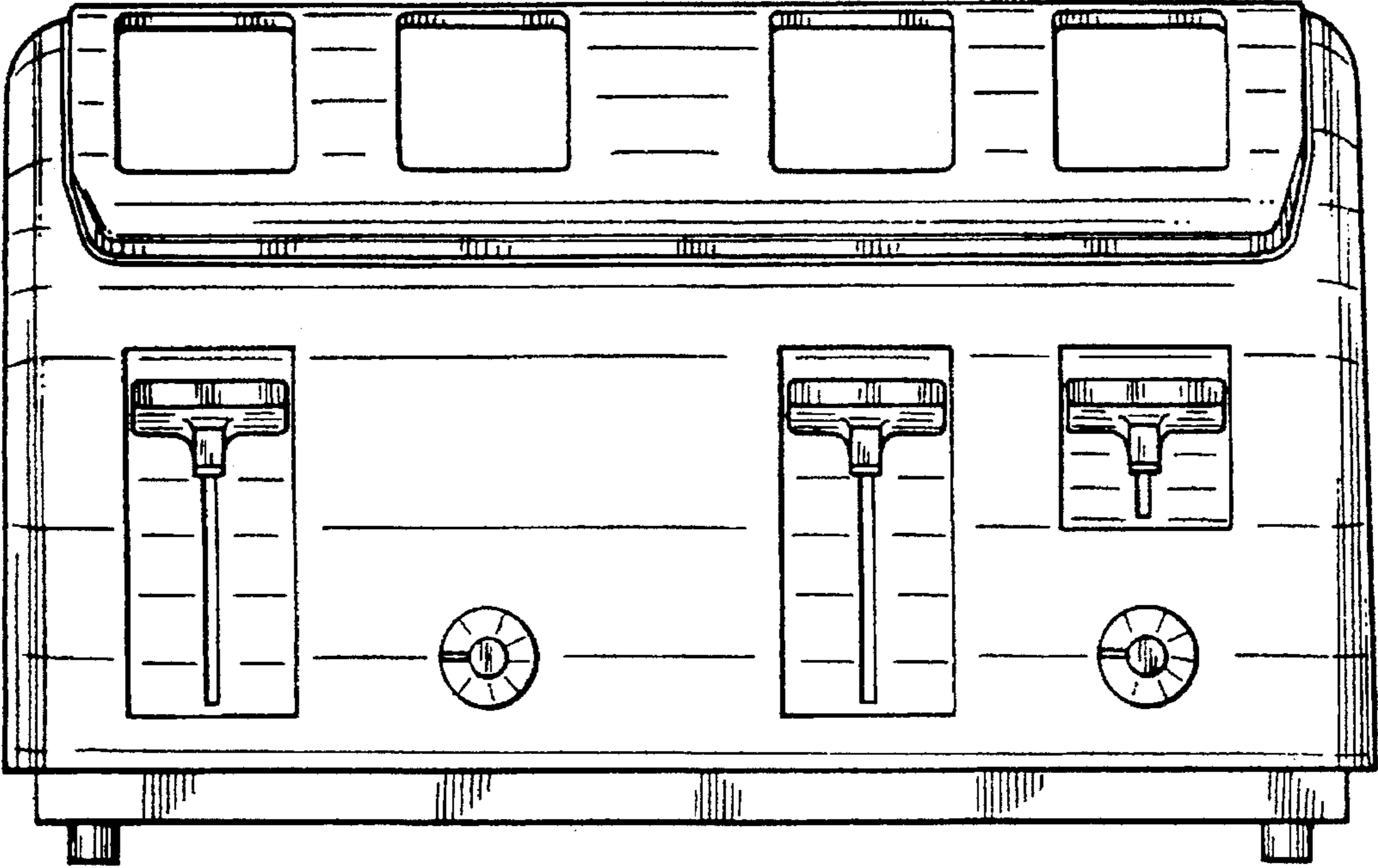


FIG. 1

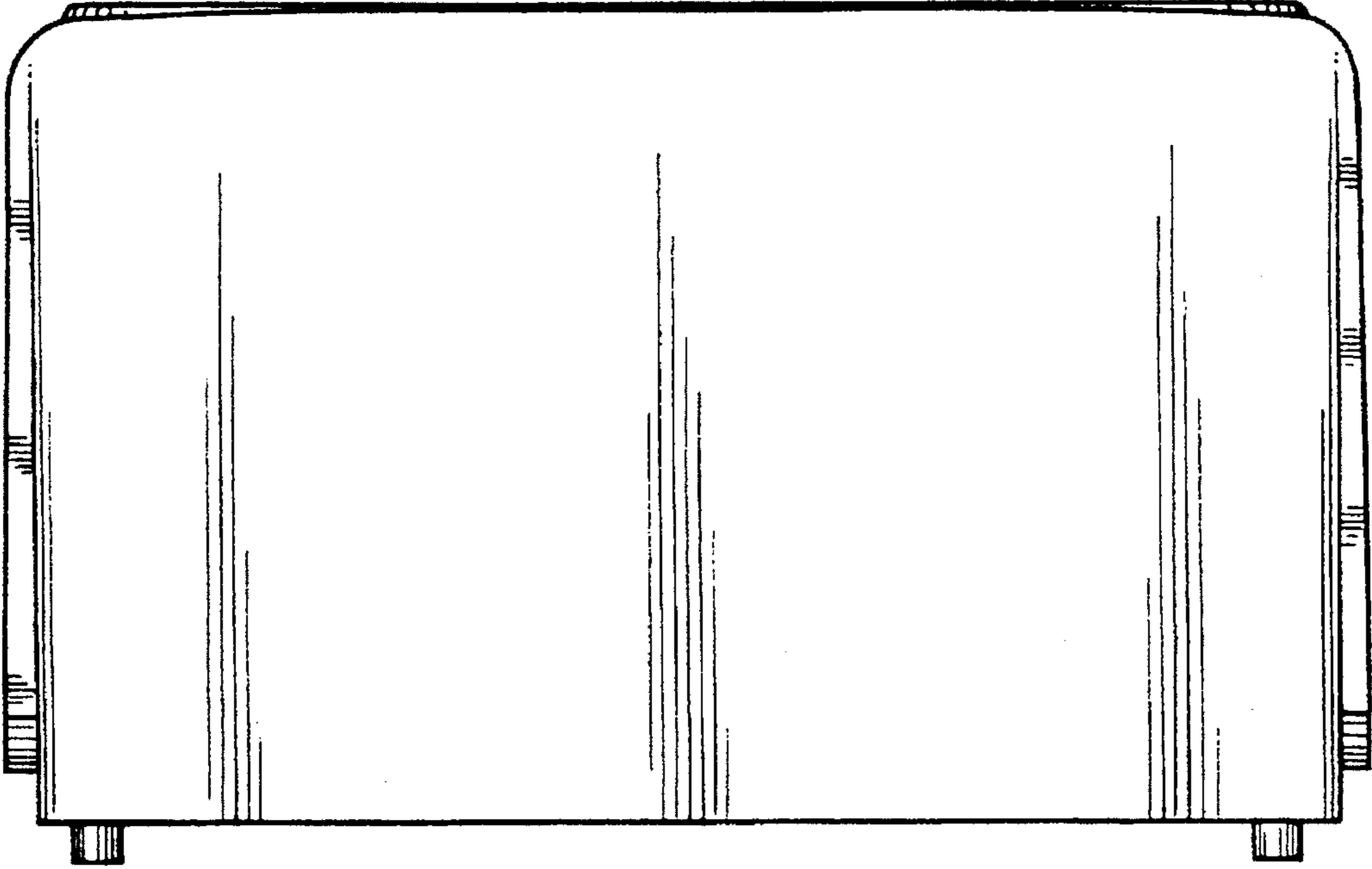


FIG. 2

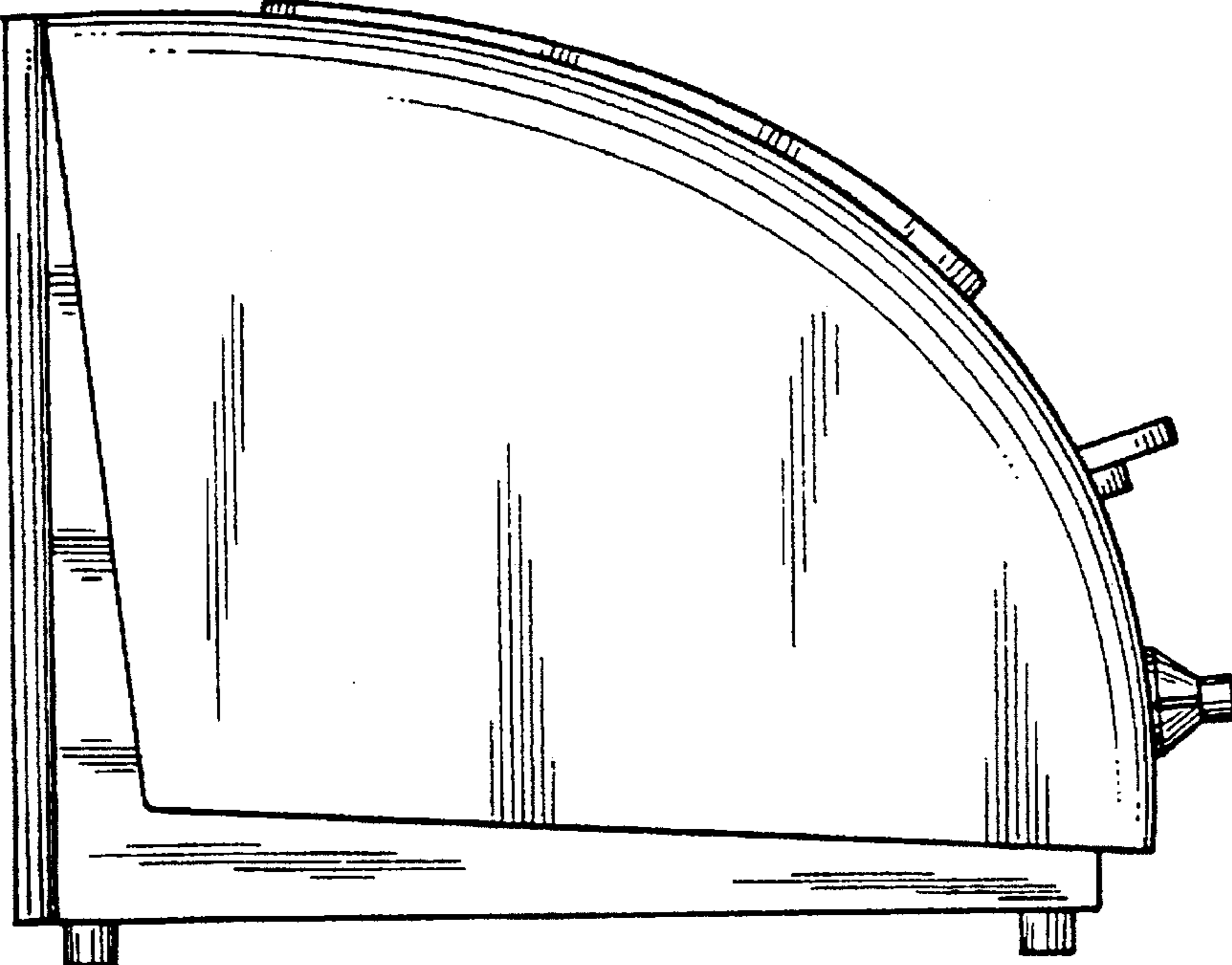


FIG. 3

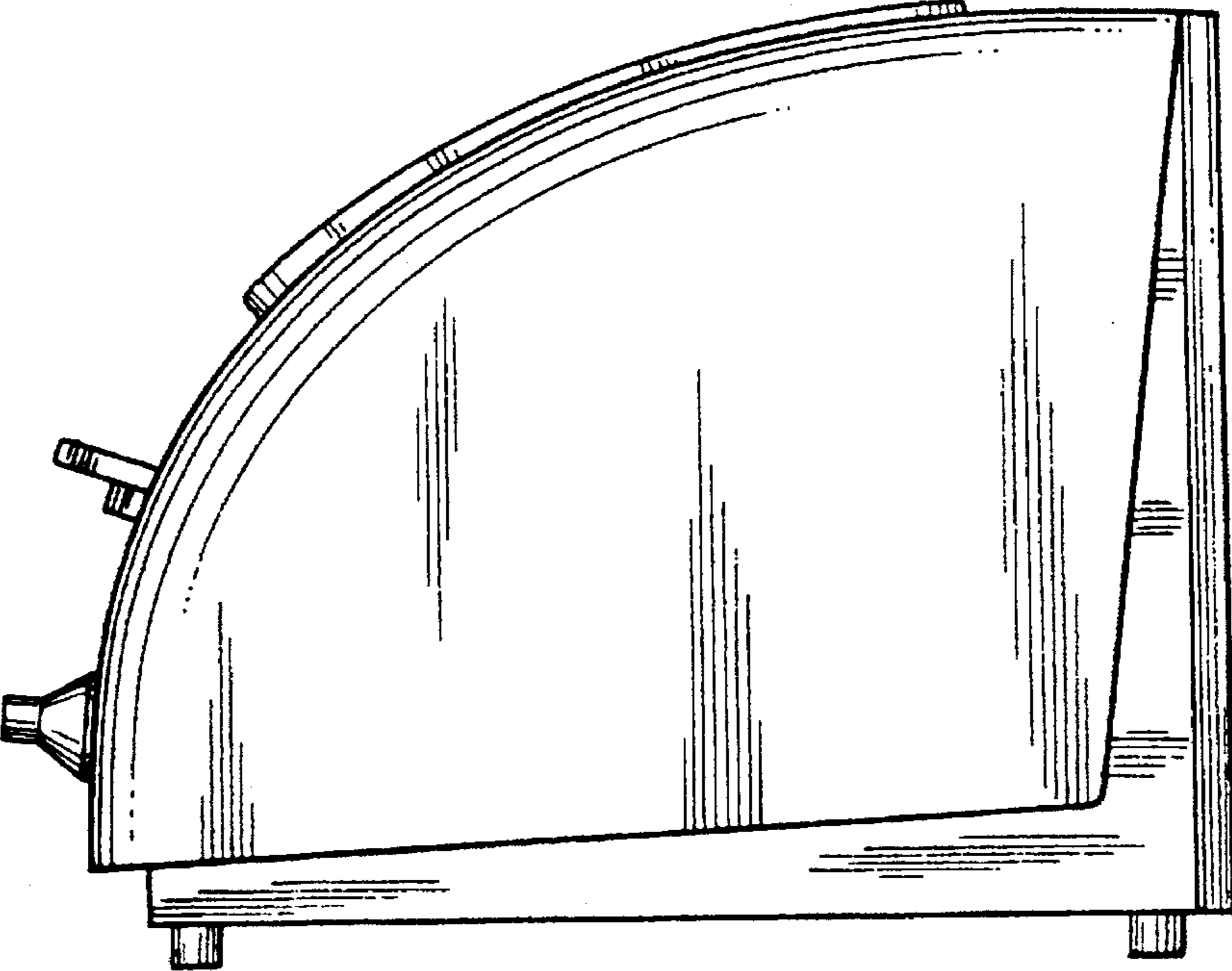


FIG. 4

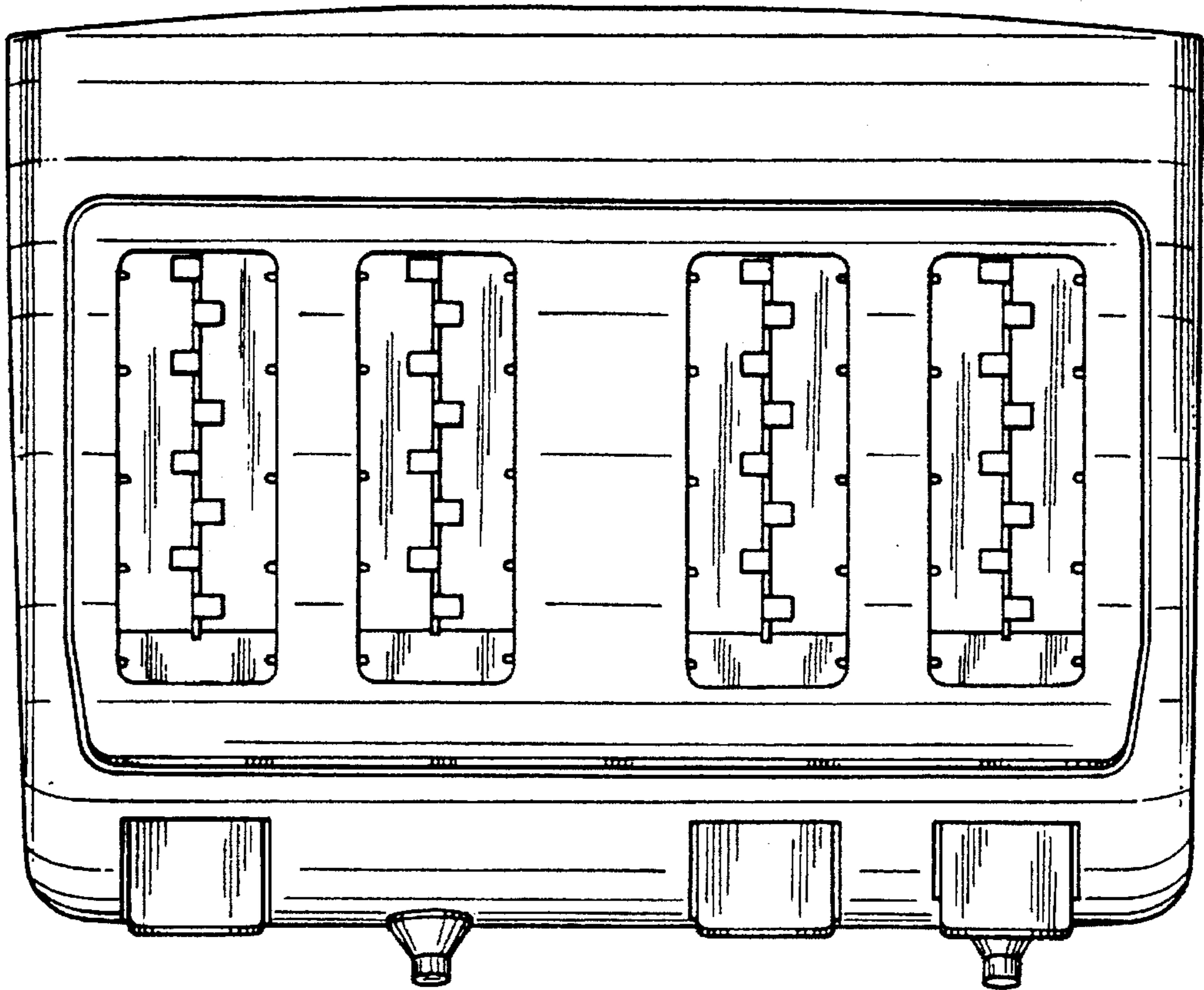


FIG. 5

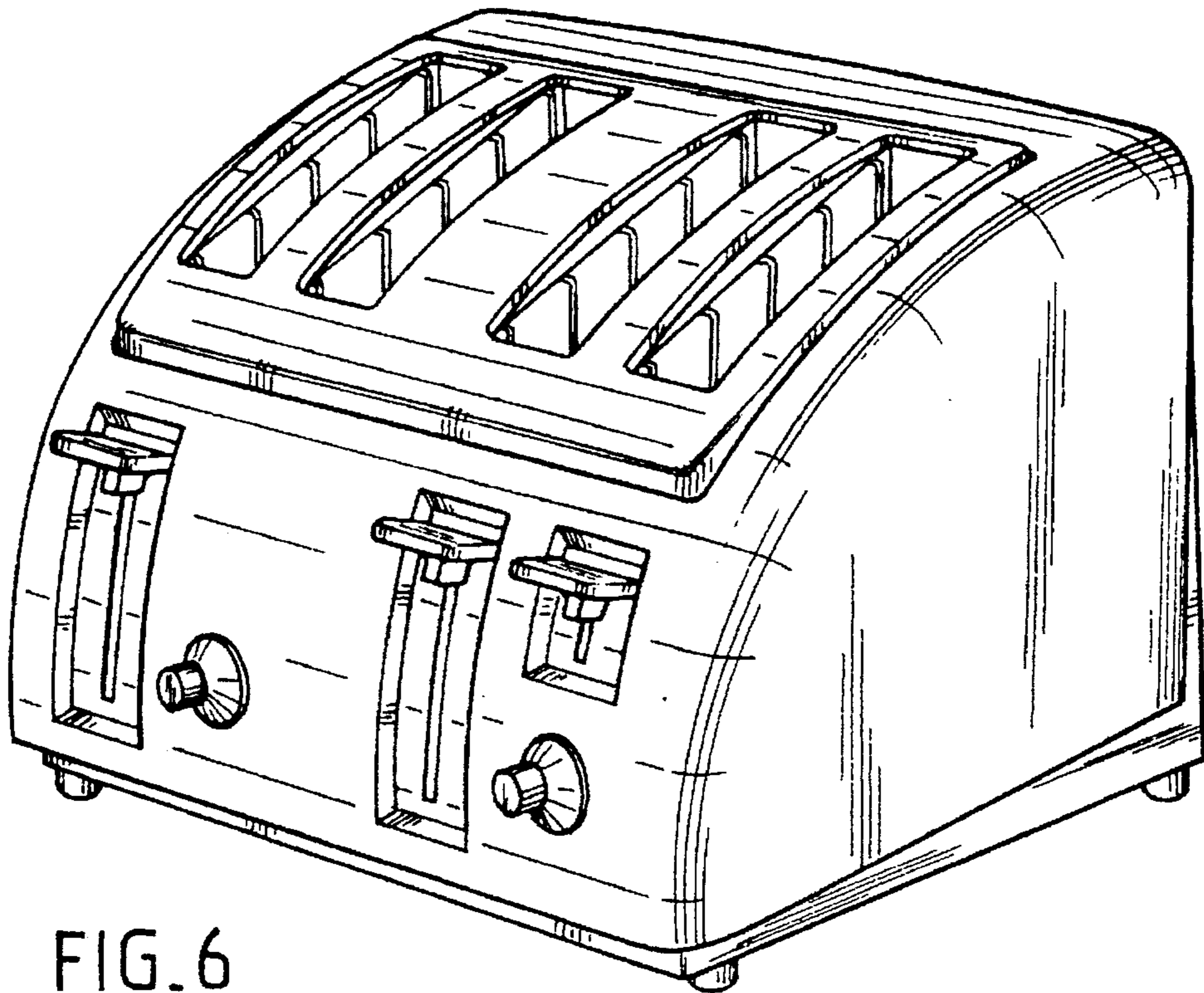


FIG. 6