



US00D383350S

United States Patent [19]
Leibovic

[11] **Patent Number: Des. 383,350**

[45] **Date of Patent: **Sep. 9, 1997**

[54] **COFFEE MAKER**

[76] **Inventor: Ariel Leibovic, Rachmilovich St. 100/4,
Pisgat Zeev Jerusalem, Israel**

[**] **Term: 14 Years**

[21] **Appl. No.: 48,356**

[22] **Filed: Dec. 27, 1995**

[30] **Foreign Application Priority Data**

Jun. 28, 1995 [IL] Israel 24670

[51] **LOC (6) Cl. 07-01**

[52] **U.S. Cl. D7/309; D7/300; D7/311**

[58] **Field of Search D7/300, 305, 309,
D7/310, 311, 301, 312**

[56] **References Cited**

U.S. PATENT DOCUMENTS

D. 347,759 6/1994 De Felip D7/309 X
4,704,954 11/1987 Mollenhoff D7/309 X

OTHER PUBLICATIONS

Coffee Maker by Culrtney Inchbald Design 461 5/1787 p.
18.

Primary Examiner—M. N. Pandozzi

Attorney, Agent, or Firm—Wigman, Cohen, Leitner &
Myers, P.C.

[57] **CLAIM**

The ornamental design for a coffee maker, as shown and
described.

DESCRIPTION

FIG. 1 is a rear right side perspective view of a coffee maker
showing my new design;

FIG. 2 is a front, right side perspective view thereof;

FIG. 3 is a right side perspective view in an "in use" position
thereof;

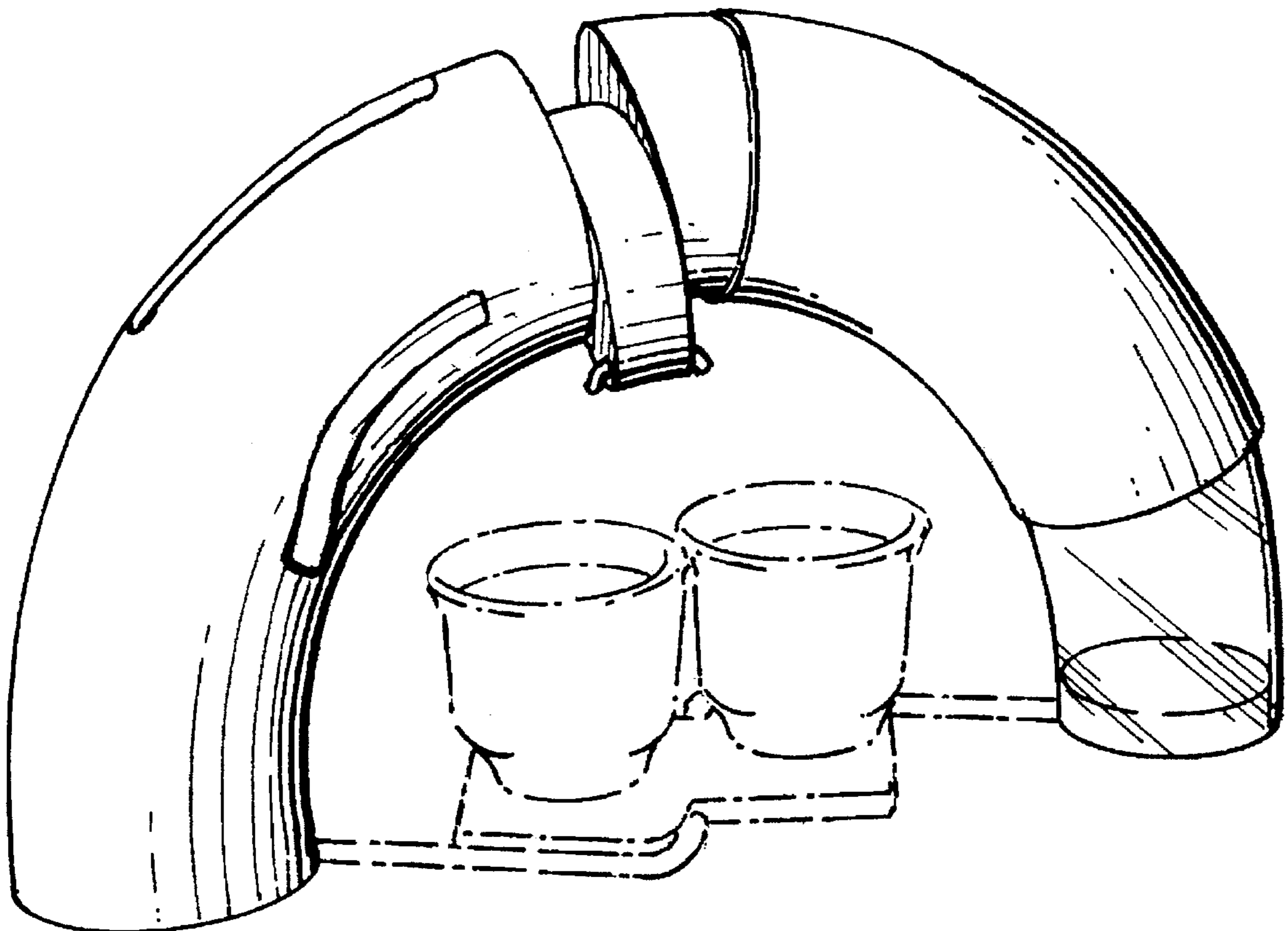
FIG. 4 is a rear left perspective view of FIG. 1;

FIG. 5 is a right side perspective view of FIG. 3 enlarged and
broken away on both sides for ease of illustration; and,

FIG. 6 is a front left side perspective view of FIG. 1.

The portions in broken line are for illustrative environmental
purposes only and form no part of the claimed design.

1 Claim, 3 Drawing Sheets



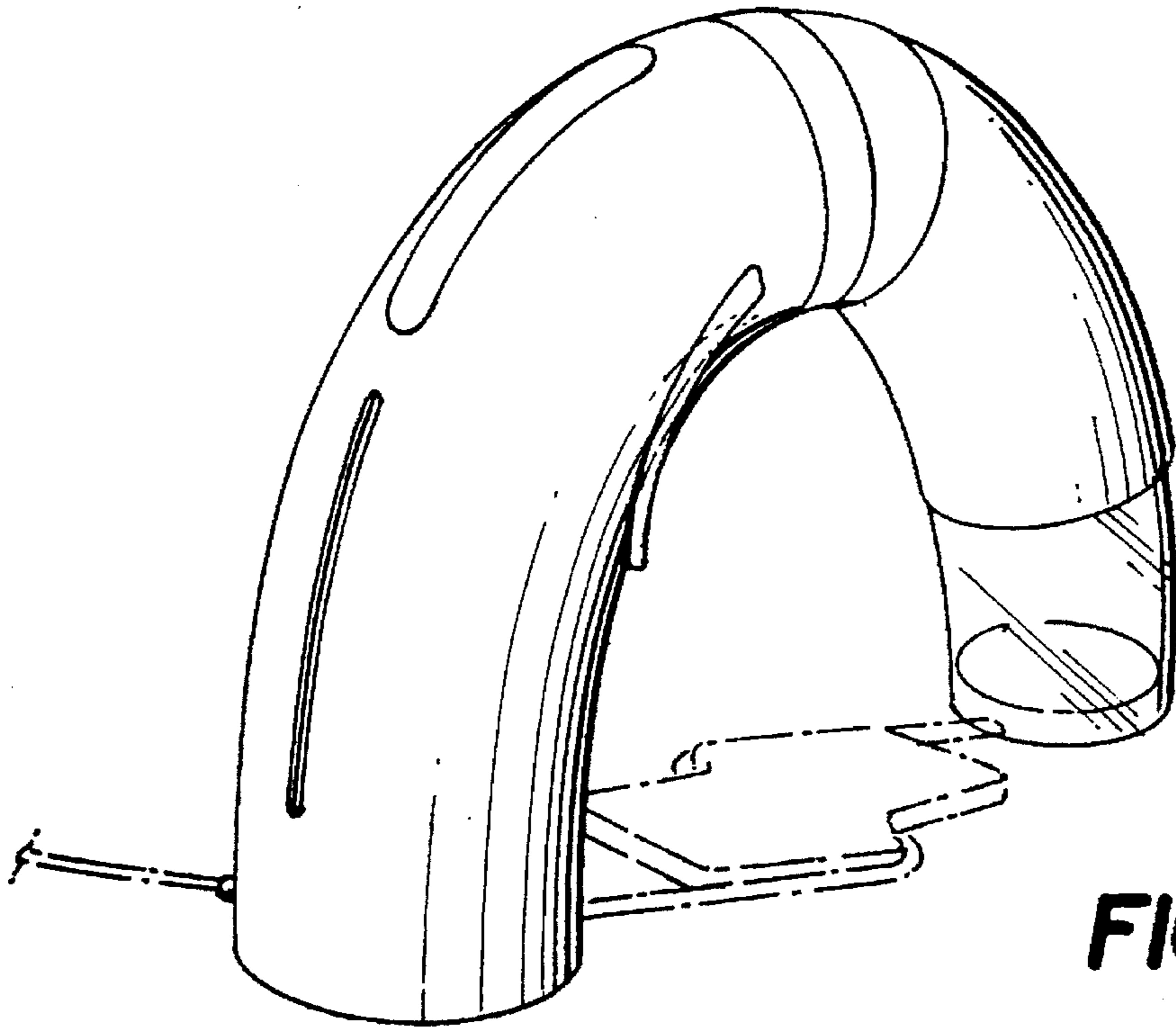


FIG. 1

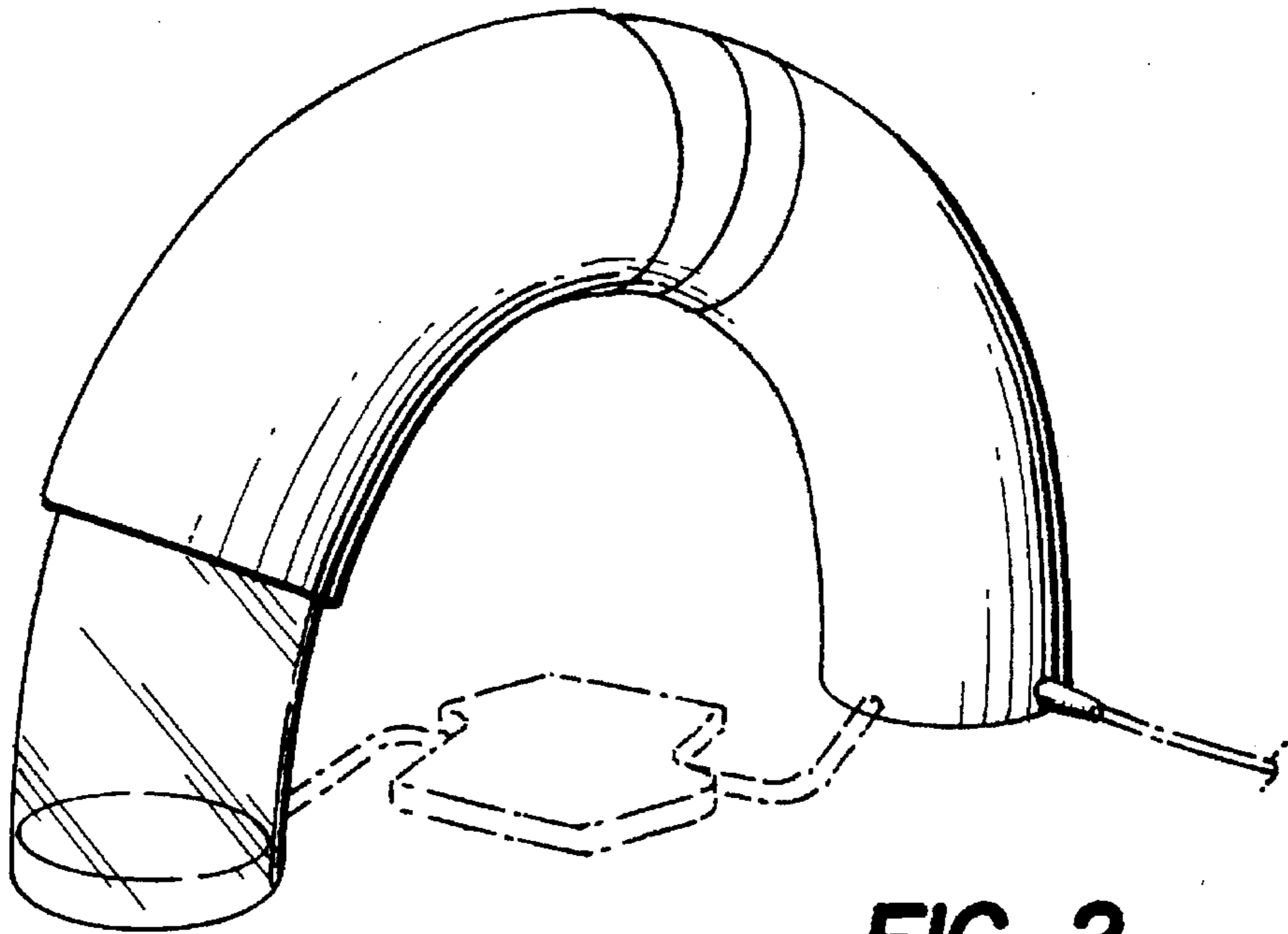


FIG. 2

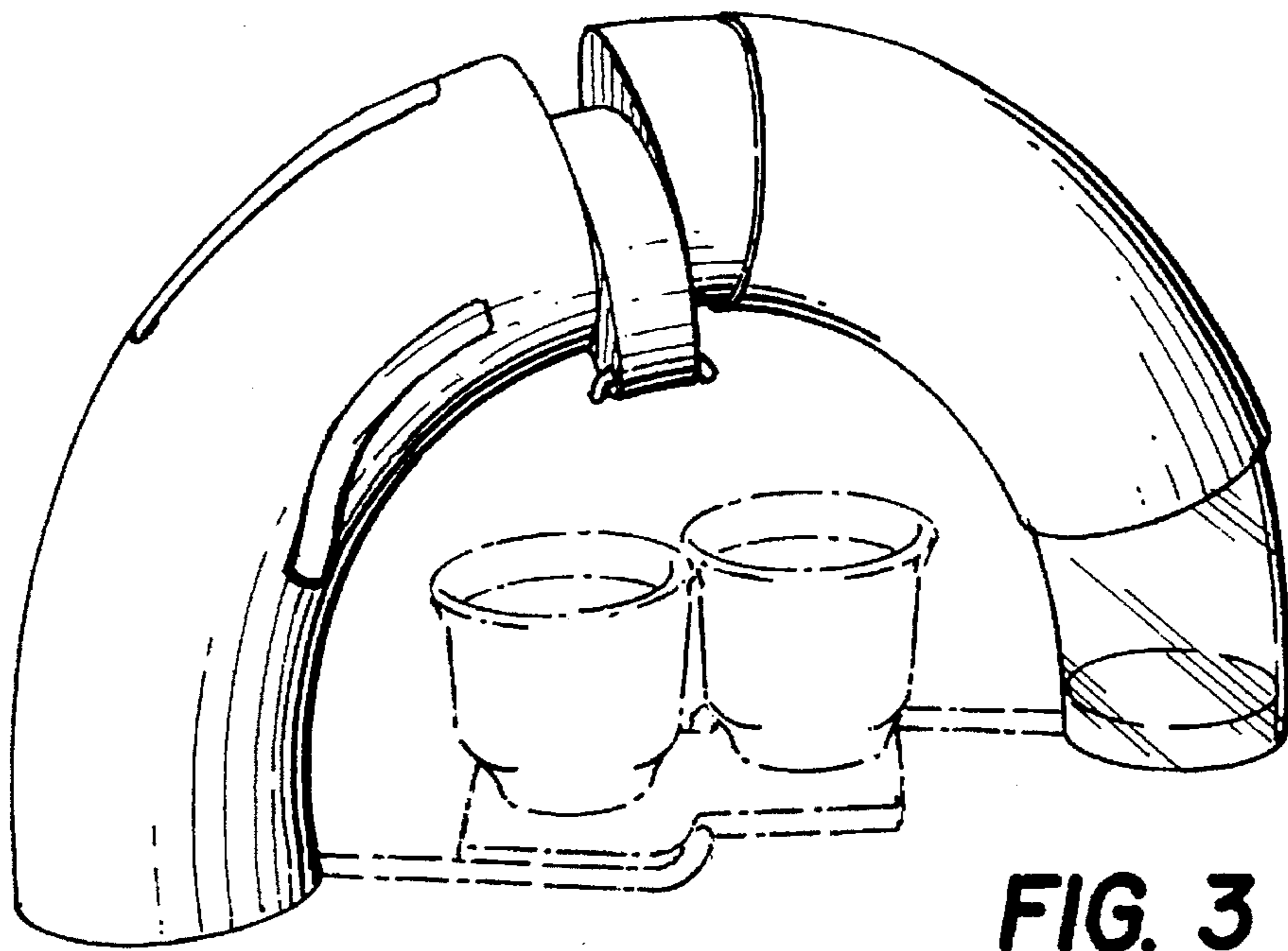


FIG. 3

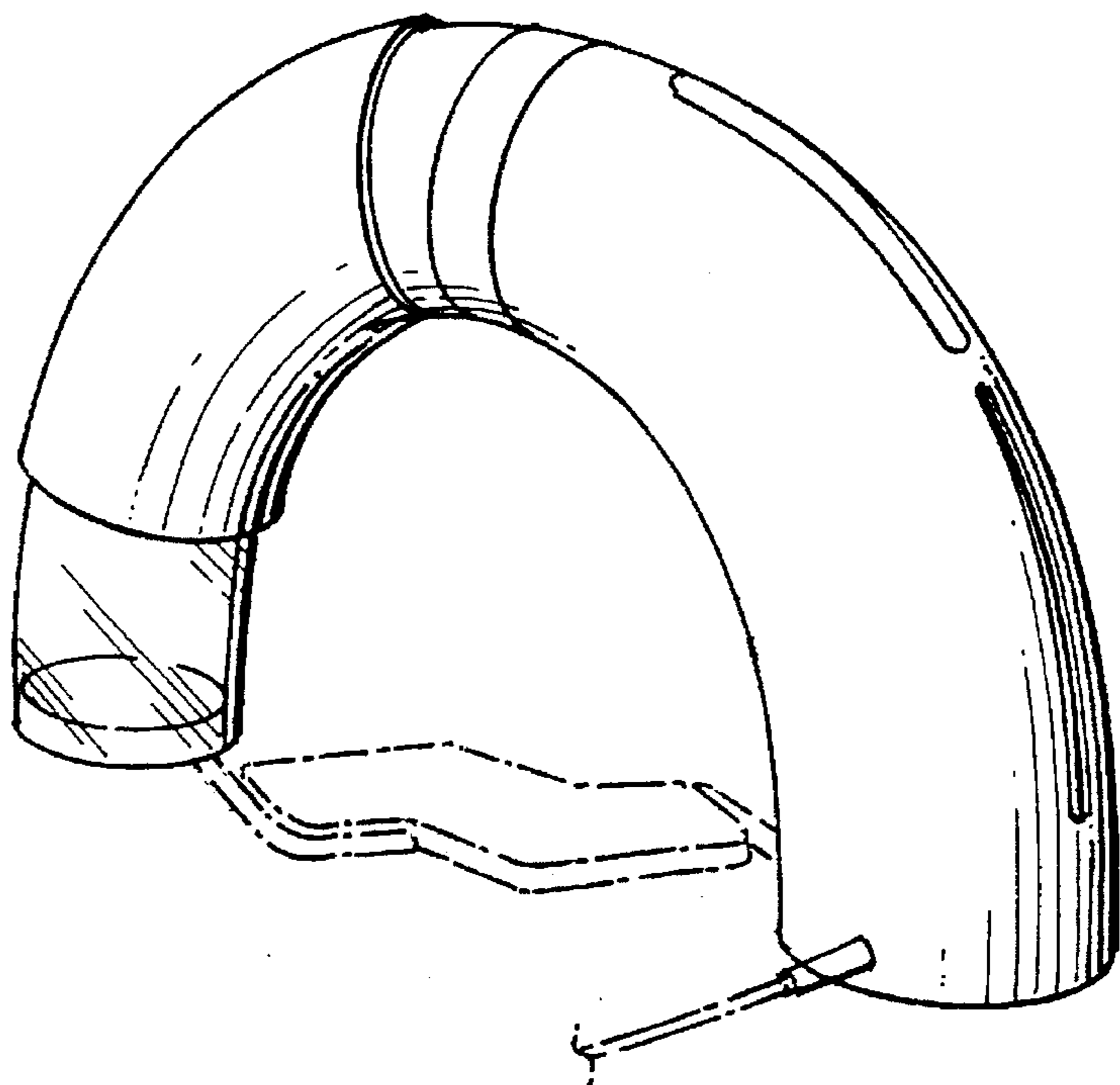


FIG. 4

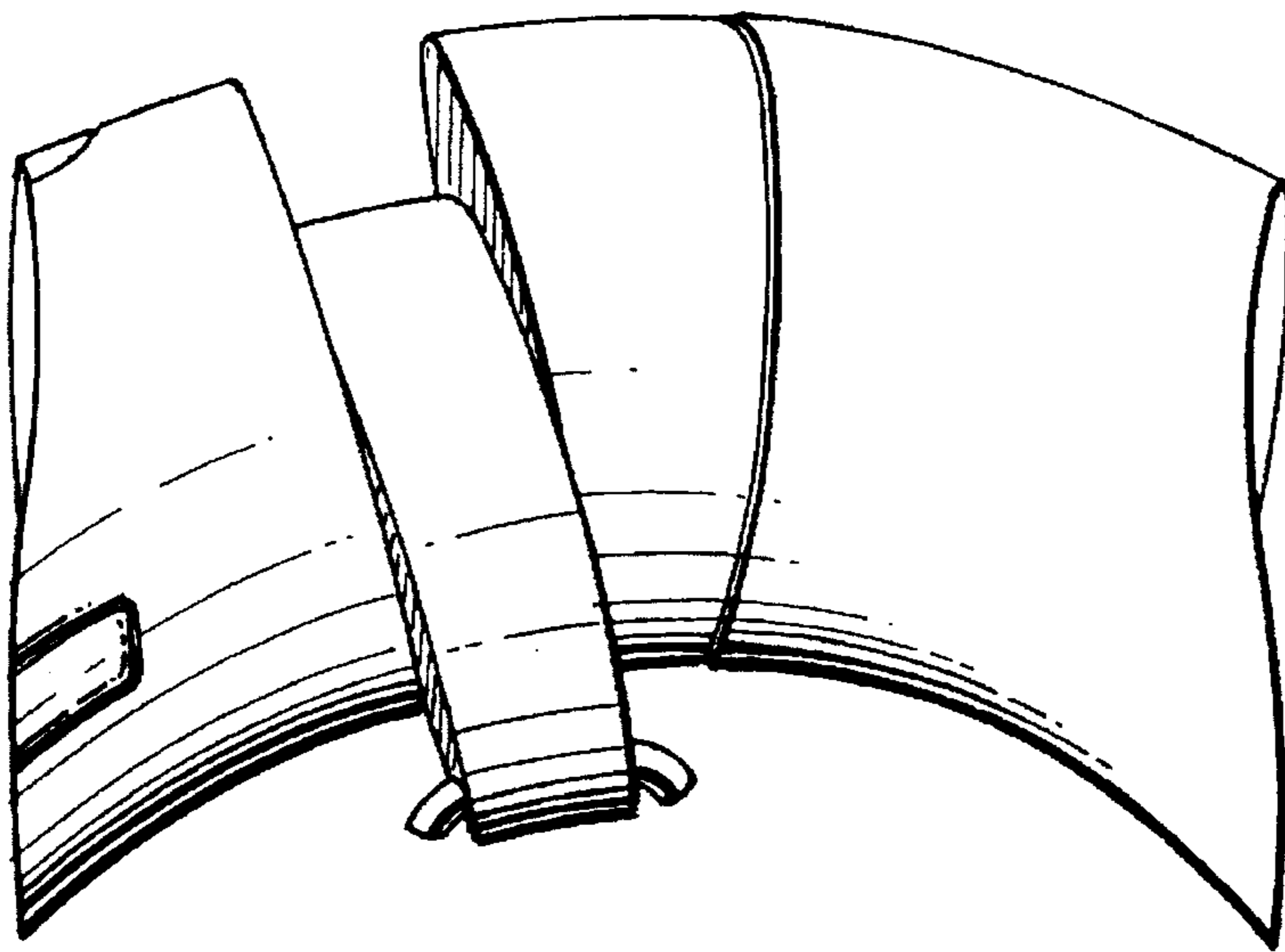


FIG. 5

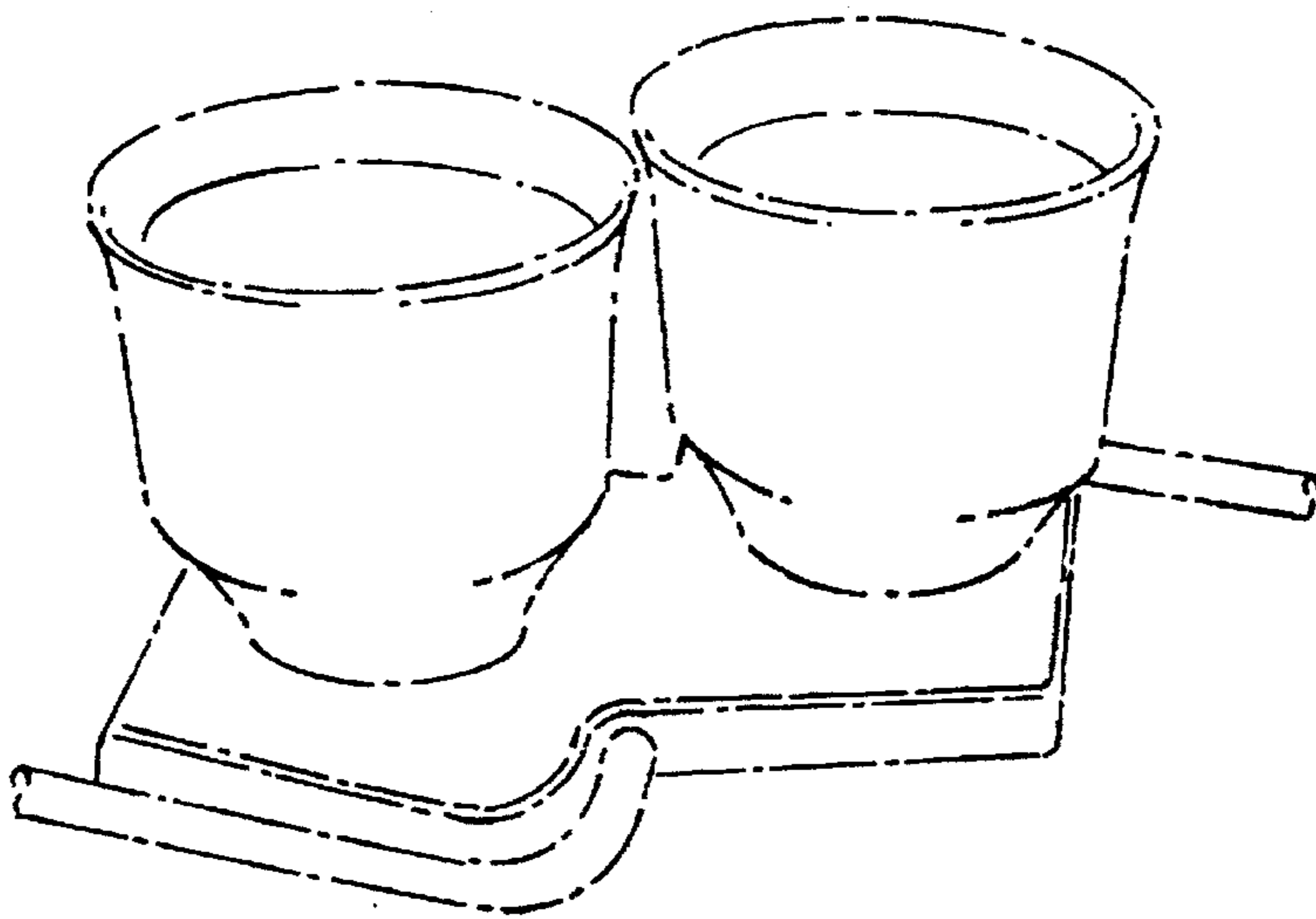


FIG. 6

