



US00D383344S

United States Patent [19]

Andrus

[11] Patent Number: Des. 383,344

[45] Date of Patent: **Sep. 9, 1997

[54] **SHOWER AND SHAVING SUPPLY CARRIER**

[75] Inventor: **Leonard C. Andrus**, Plymouth, Mich.

[73] Assignee: **Brass-Craft Manufacturing Company**,
Novi, Mich.

[**] Term: **14 Years**

[21] Appl. No.: **52,314**

[22] Filed: **Apr. 2, 1996**

[51] **LOC (6) Cl.** **06-02**

[52] **U.S. Cl.** **D6/525**

[58] **Field of Search** D6/524-525, 526,
D6/527, 567, 568; 211/88, 113

[56] **References Cited**

U.S. PATENT DOCUMENTS

- D. 214,512 6/1969 Byers D6/568
- D. 268,238 3/1983 Brescia et al. D6/568 X

- D. 272,969 3/1984 Sussman D6/524 X
- D. 293,183 12/1987 Aaron D6/525

Primary Examiner—Brian N. Vinson
Attorney, Agent, or Firm—Myron B. Kapustij; Malcolm L. Sutherland

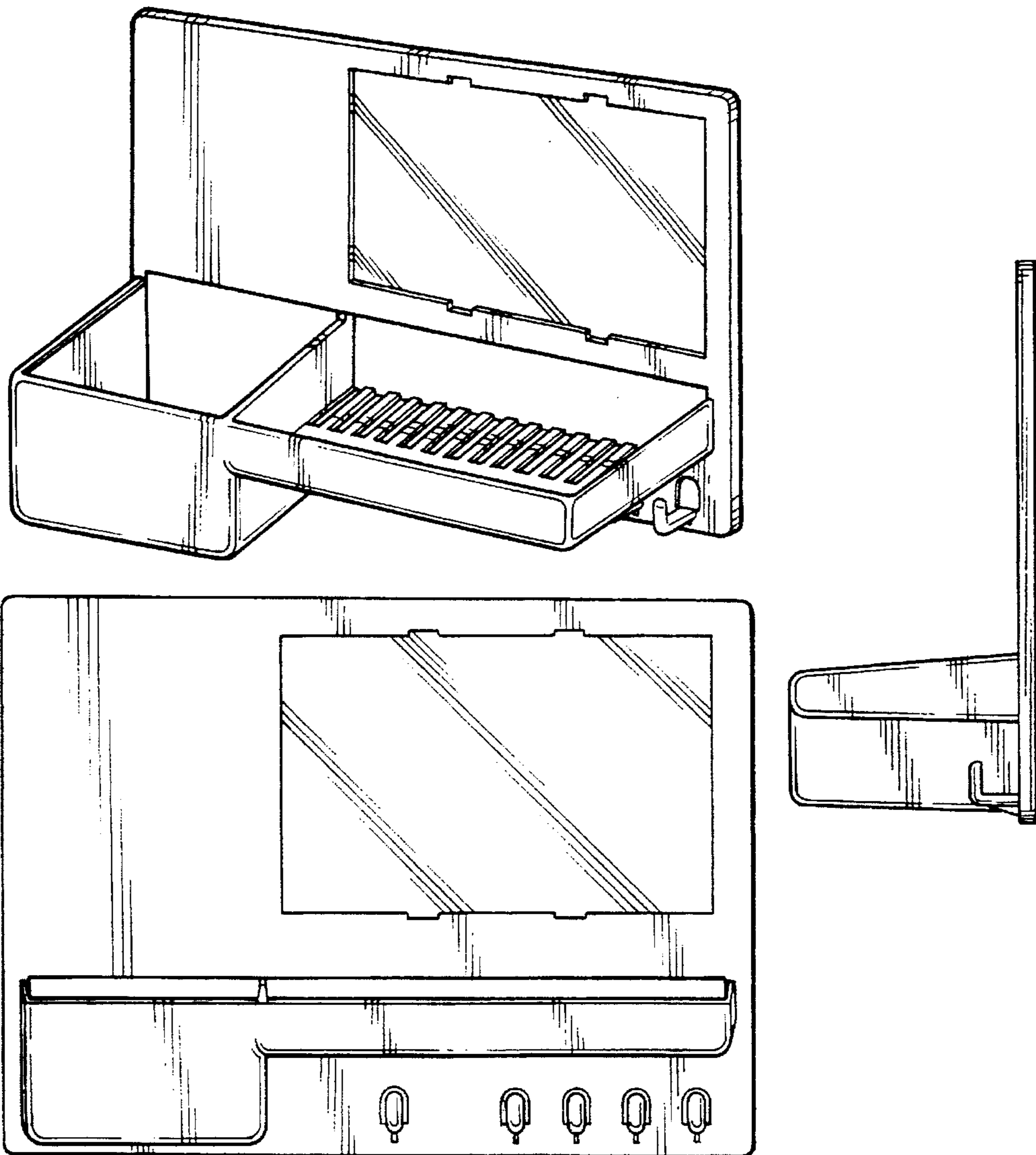
[57] **CLAIM**

The ornamental design for a shower and shaving supply carrier, as shown and described.

DESCRIPTION

FIG. 1 is a front perspective view of a shower and shaving supply carrier showing my new design; FIG. 2 is a front elevational view thereof; FIG. 3 is a rear elevational view thereof; FIG. 4 is a top plan view thereof; FIG. 5 is a bottom plan view thereof; FIG. 6 is a left side elevational view thereof; and, FIG. 7 is a right side elevational view thereof.

1 Claim, 3 Drawing Sheets



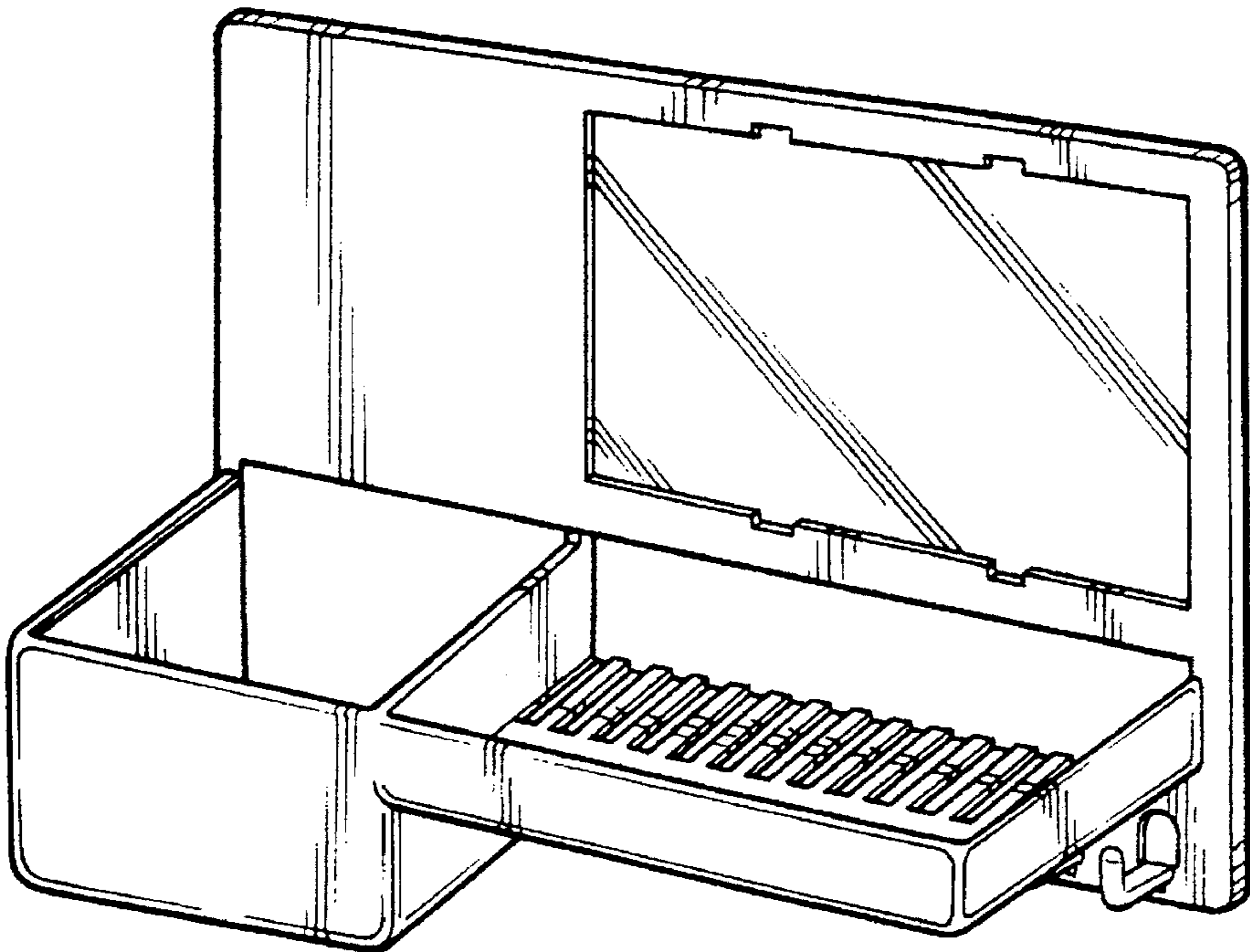


Fig - 1

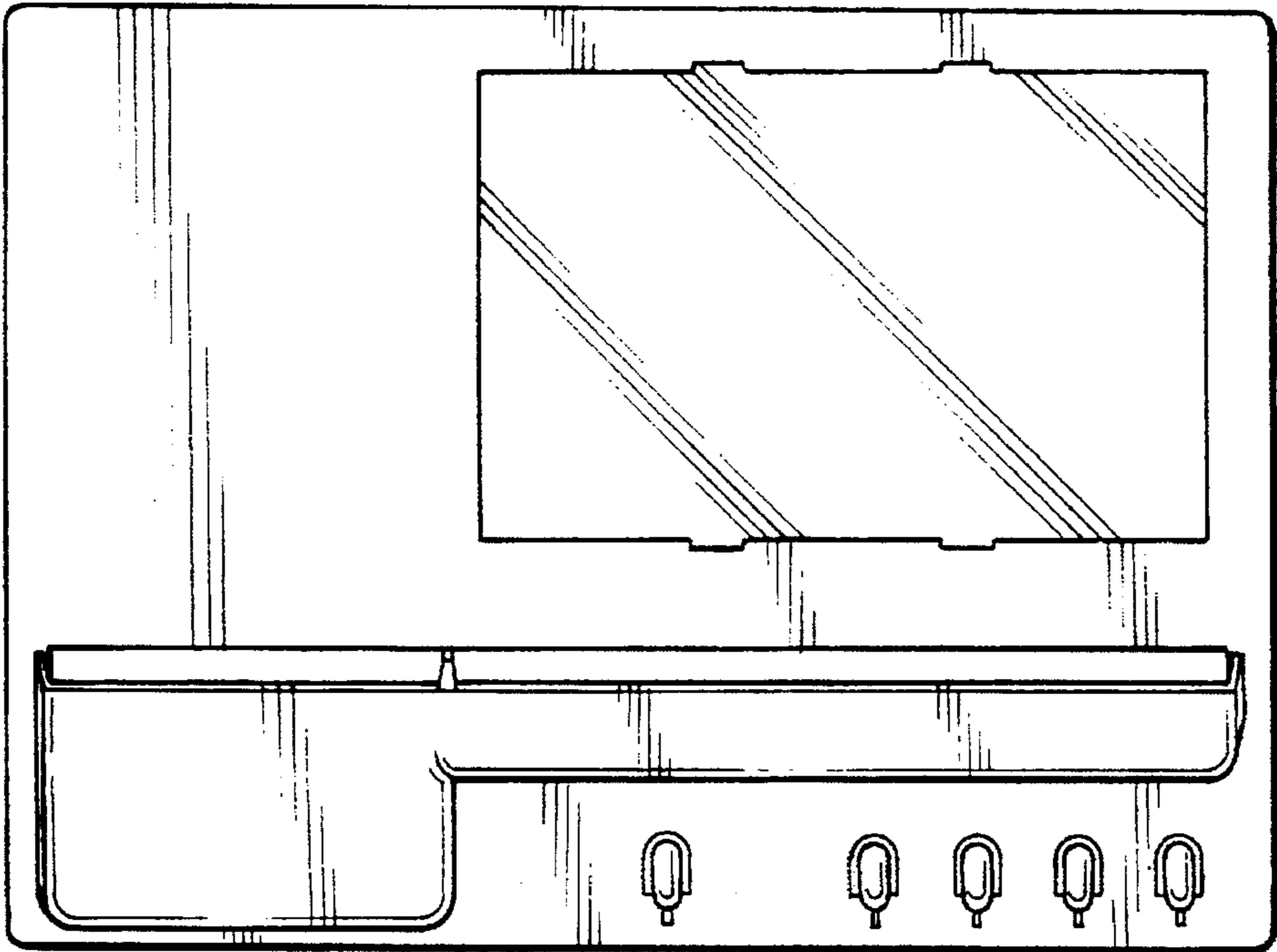


Fig - 2

Fig - 3

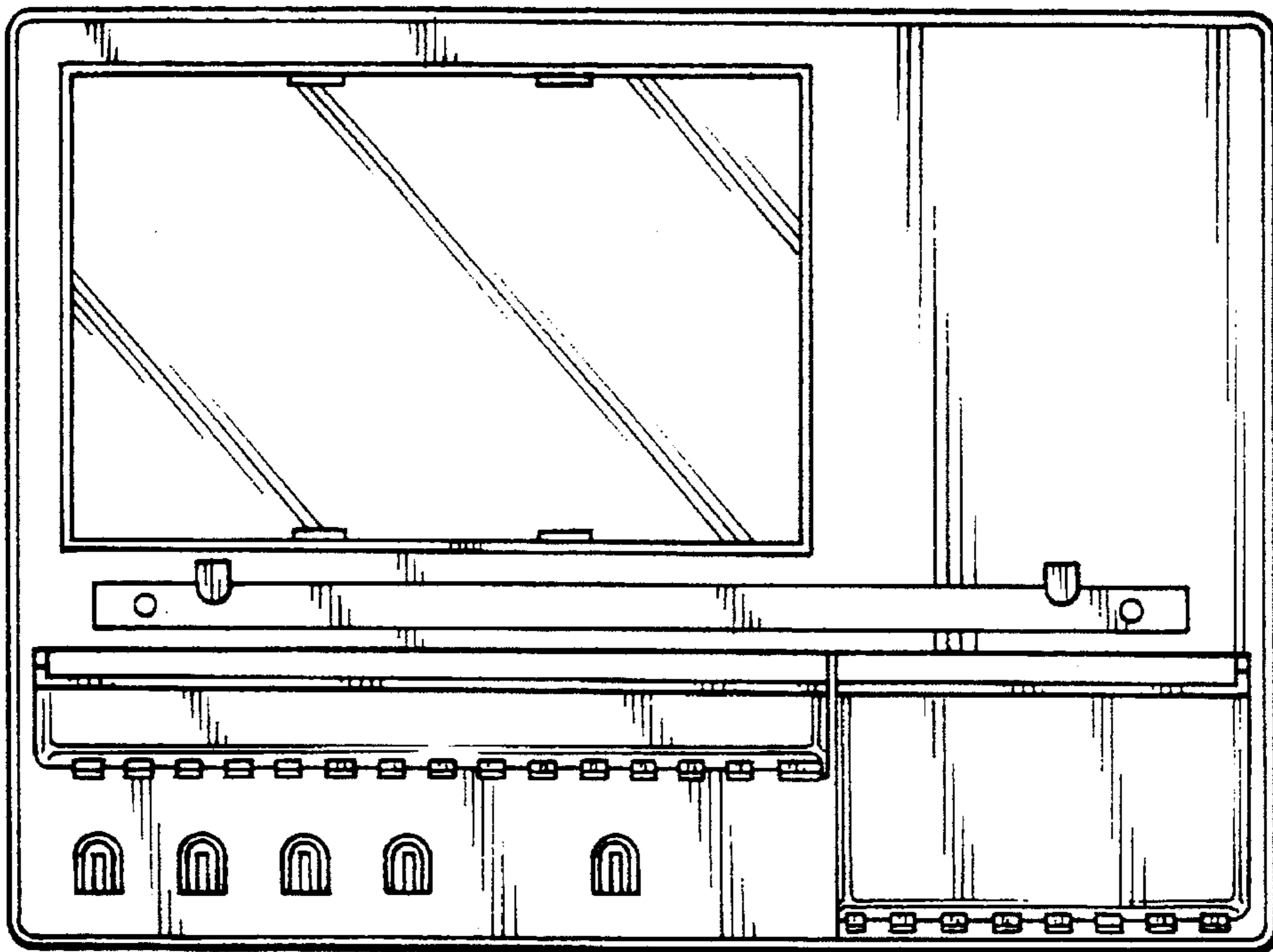


Fig - 4

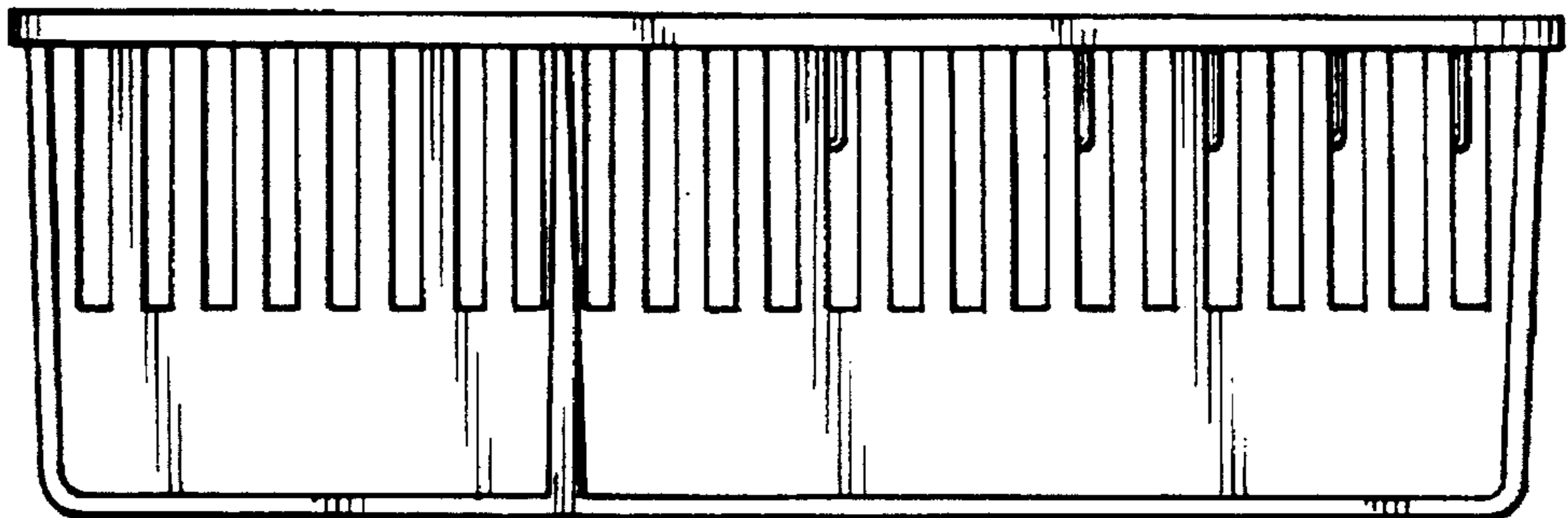
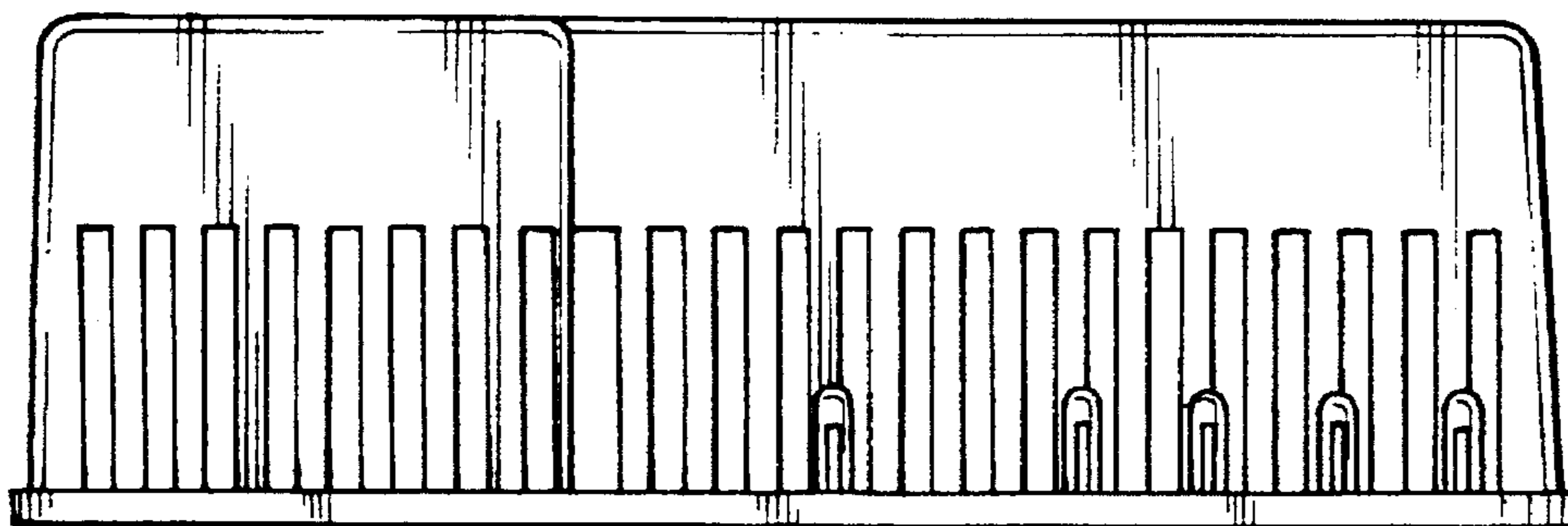


Fig - 5



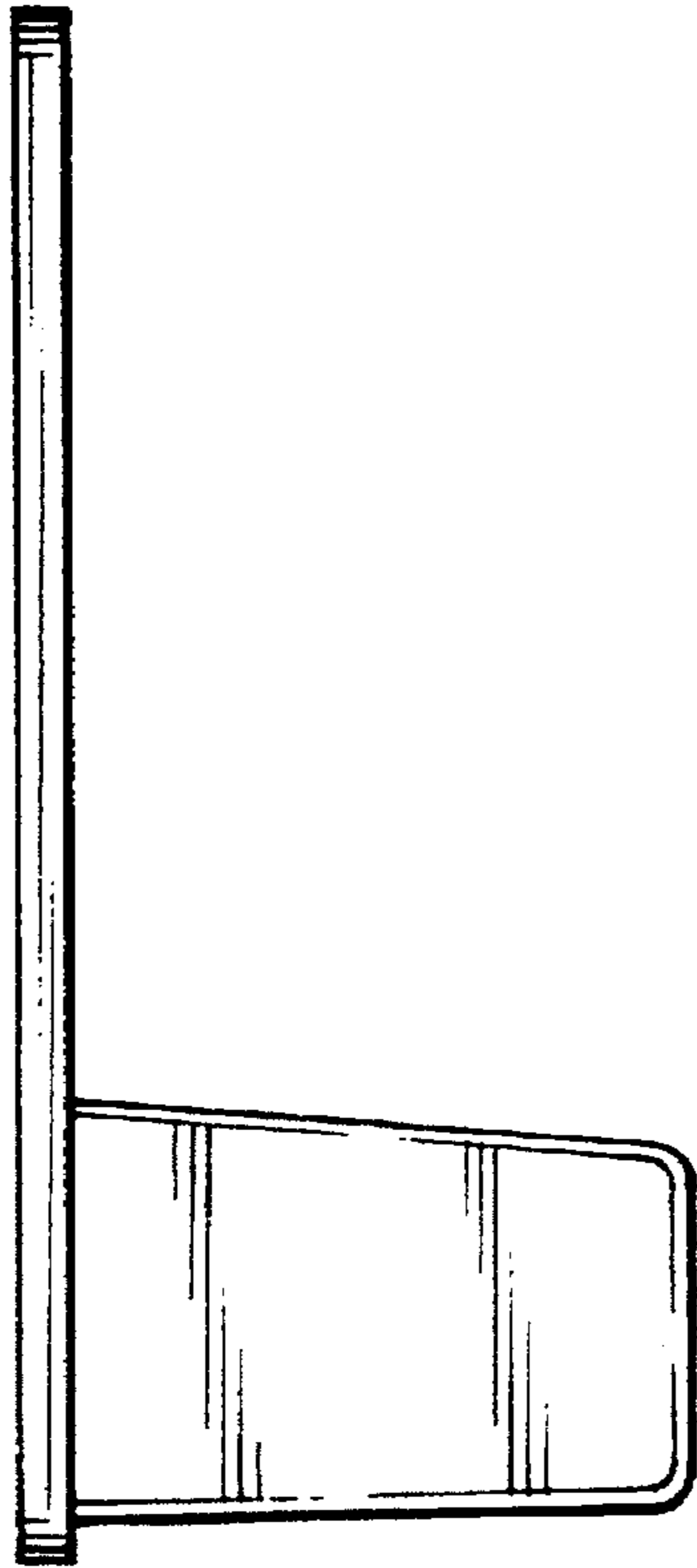


Fig - 6

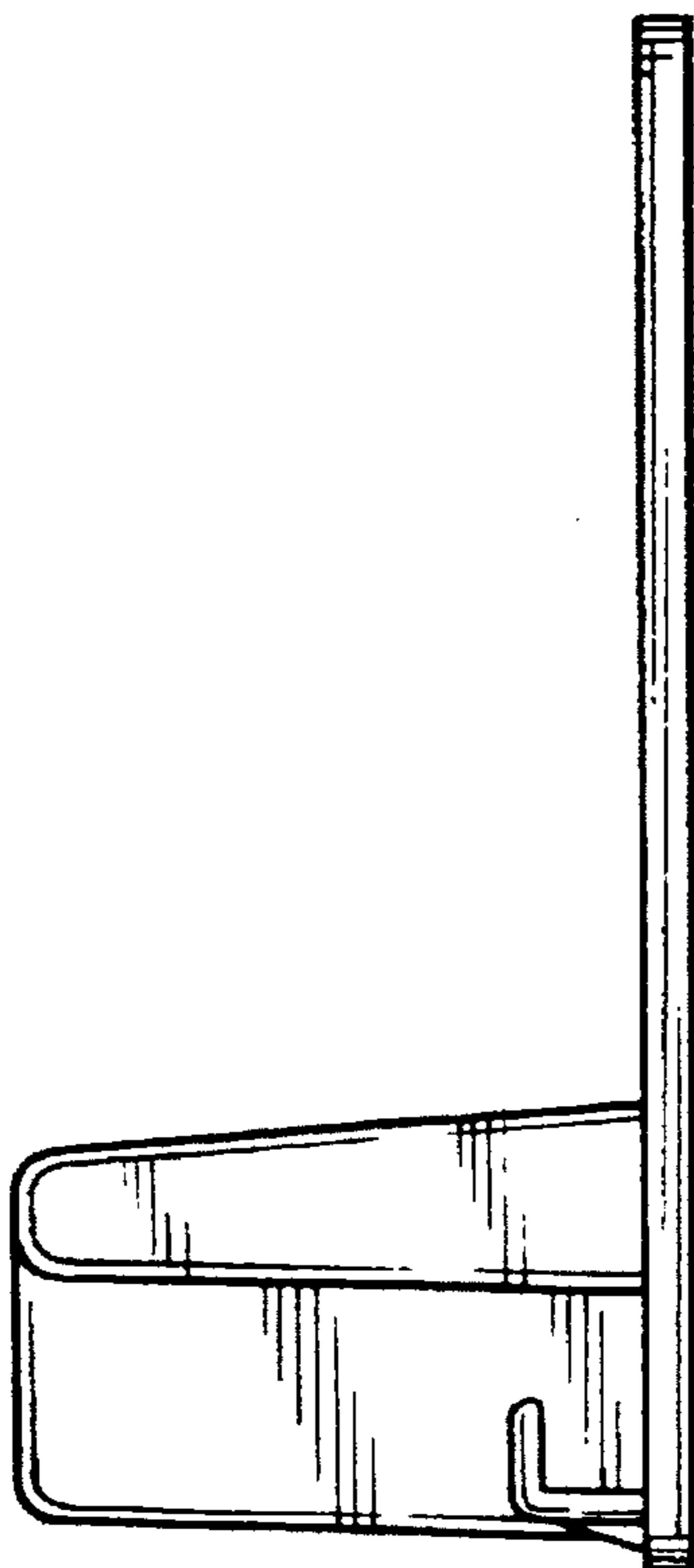


Fig - 7