



US00D383340S

United States Patent [19]

[11] Patent Number: **Des. 383,340**

Grosfillex

[45] Date of Patent: ****Sep. 9, 1997**

[54] **COMBINATION SHELF AND POST STORAGE UNIT**

5,158,187 10/1992 Taub 211/186
5,282,595 2/1994 Conforti 211/134 X

[75] Inventor: **Raymond Grosfillex**, Oyonnax, France

FOREIGN PATENT DOCUMENTS

[73] Assignee: **Grosfillex, Sarl**, Oyonnax, France

2538233 6/1984 France 211/74

[**] Term: **14 Years**

Primary Examiner—James Gandy
Assistant Examiner—Linda Brooks
Attorney, Agent, or Firm—Dowell & Dowell

[21] Appl. No.: **54,214**

[57] CLAIM

[22] Filed: **May 10, 1996**

The ornamental design for a combination shelf and post storage unit, as shown and described.

[30] Foreign Application Priority Data

DESCRIPTION

Nov. 10, 1995 [WO] WIPO DMA/003138

[51] LOC (6) Cl. **06-04**

FIG. 1 is a top perspective view of a combination shelf and post storage unit showing my new design;

[52] U.S. Cl. **D6/511**

FIG. 2 is a bottom perspective view thereof;

[58] Field of Search D6/510, 511, 574, D6/479; 108/59, 91, 106, 107, 110, 144, 180, 153; 211/186-188, 189, 134, 135, 153, 72, 74, 90, 126, 88, 89; D7/602, 701

FIG. 3 is a front elevational view thereof;

FIG. 4 is a rear elevational view thereof;

FIG. 5 is a right side view thereof;

FIG. 6 is a left side view thereof; and,

FIG. 7 is a perspective view of the combination shelf and post storage unit shown with the posts removed for clarity of illustration.

[56] References Cited

U.S. PATENT DOCUMENTS

D. 314,682 2/1991 Kellems et al. D6/511
4,696,406 9/1987 Karashima 211/153

1 Claim, 2 Drawing Sheets

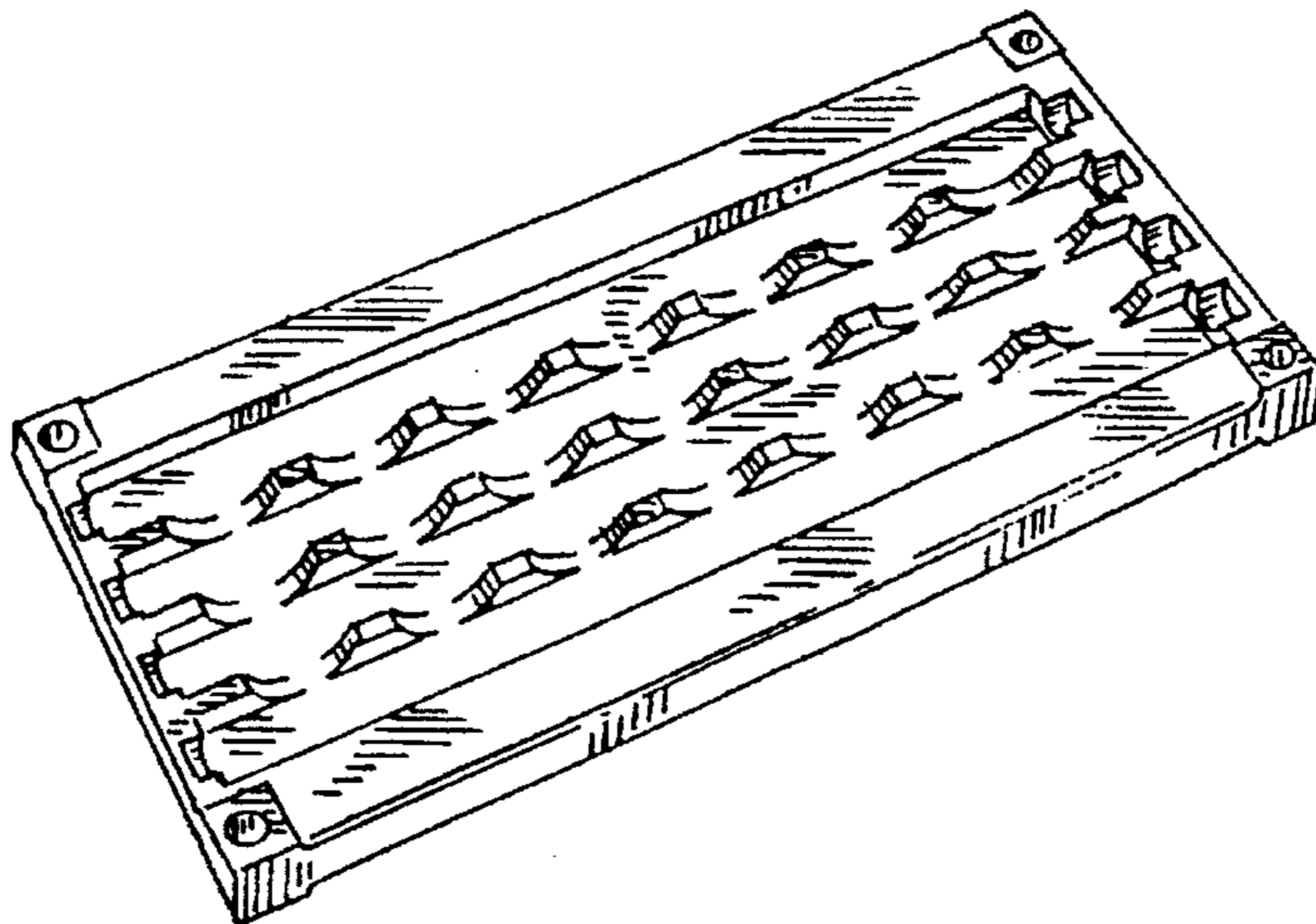
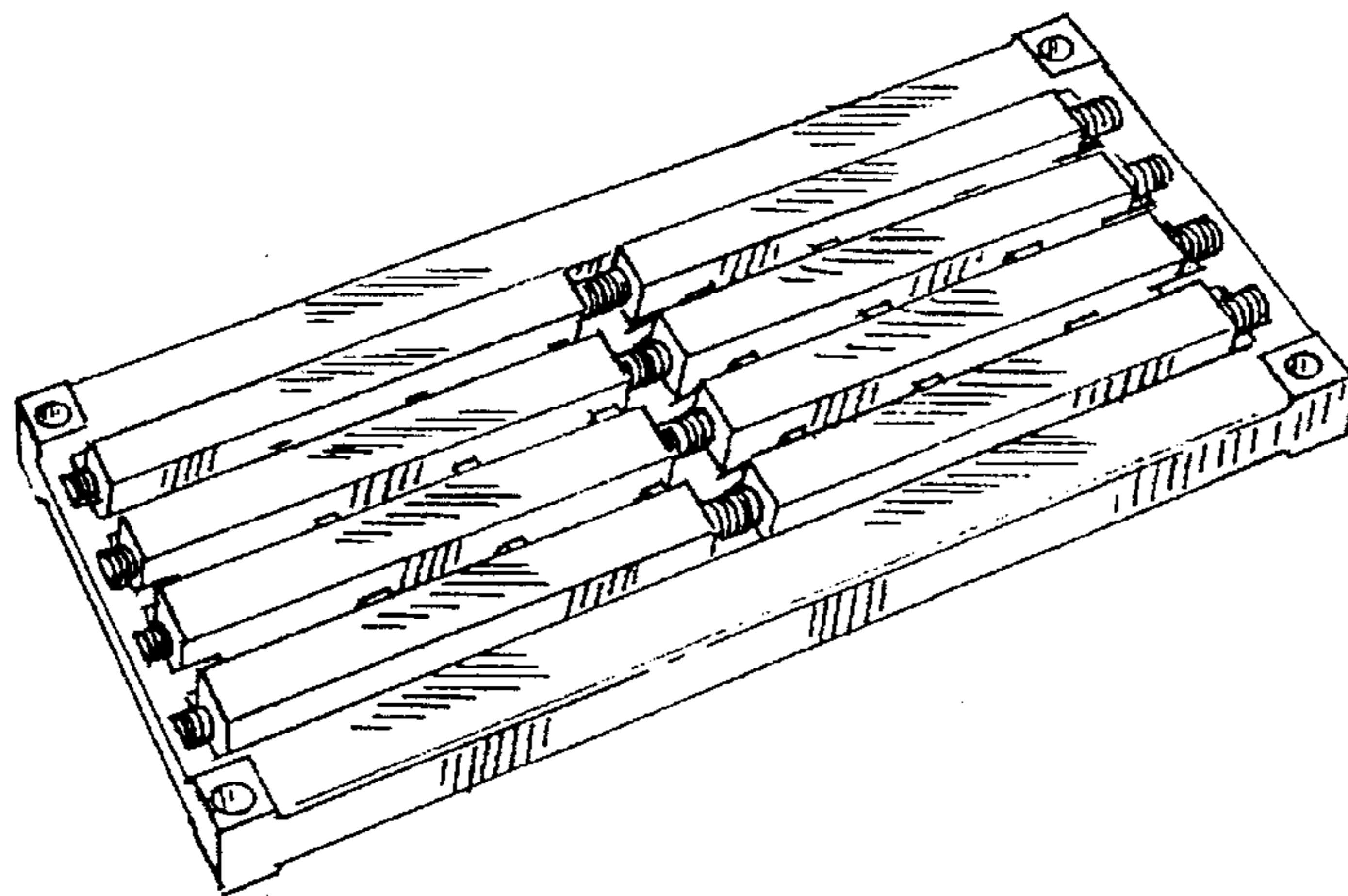


FIG. 1

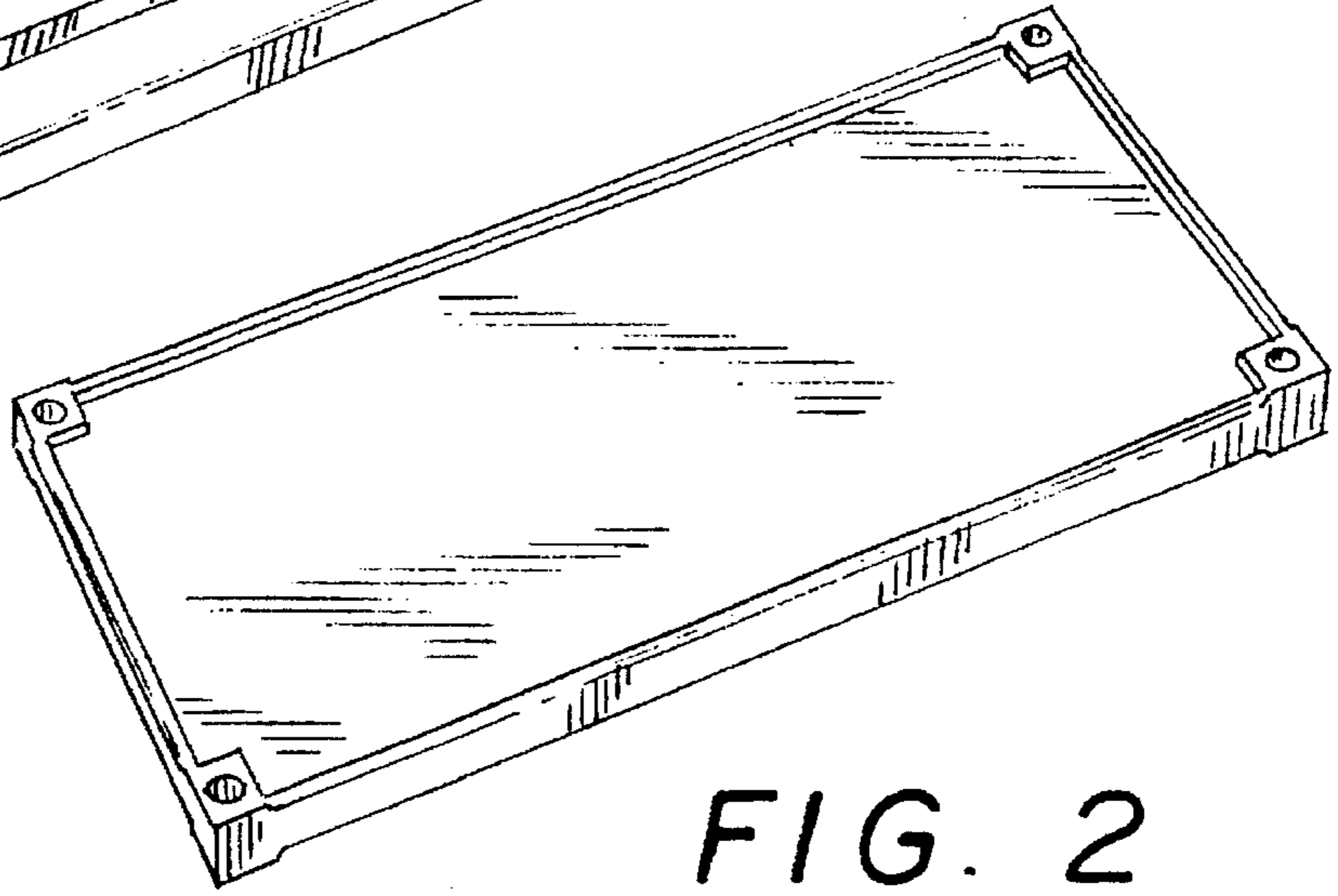
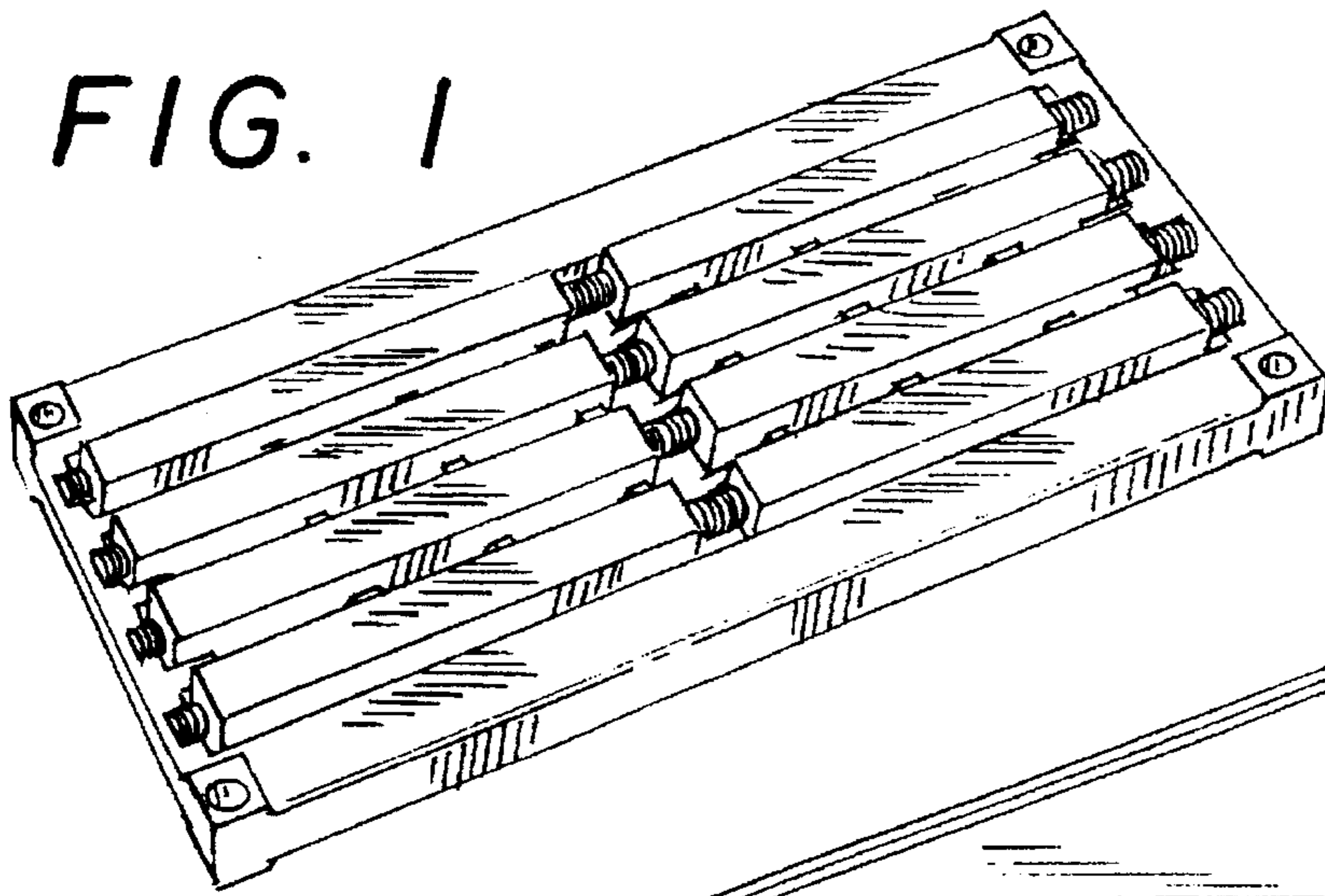


FIG. 2

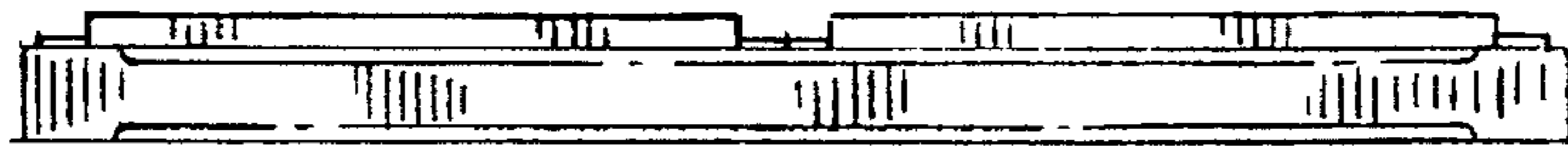


FIG. 3

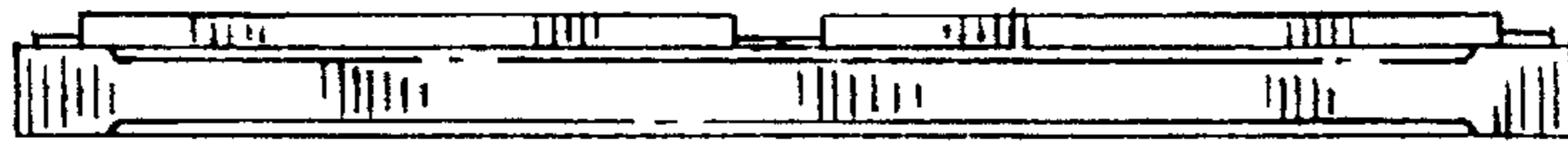


FIG. 4



FIG. 5



FIG. 6

FIG. 7

