



US00D383338S

**United States Patent** [19]  
**Gibbs**

[11] **Patent Number: Des. 383,338**

[45] **Date of Patent: \*\*Sep. 9, 1997**

[54] **COMBINATION DINNER TRAY/  
ENTERTAINMENT DEVICE FOR A HIGH  
CHAIR**

[76] **Inventor: Laura M. Gibbs, 2223 Burns Ave.,  
Overland, Mo. 63114-3613**

[\*\*] **Term: 14 Years**

[21] **Appl. No.: 49,255**

[22] **Filed: Jan. 22, 1996**

[51] **LOC (6) Cl. .... 06-04**

[52] **U.S. Cl. .... D6/511; D6/339; D7/555;  
D19/59; D21/59**

[58] **Field of Search .... D6/509-511, 338,  
D6/339, 406; D21/59; D19/59.6; D7/624,  
701, 555; 434/258, 432; 297/148, 135,  
153; 220/766, 763, 761, 762, 772; 206/214,  
224, 371**

[56] **References Cited**

**U.S. PATENT DOCUMENTS**

D. 235,673	7/1975	Root	.....	D19/59	X
D. 288,513	3/1987	Shelly	.....	D7/555	
D. 302,444	7/1989	Tapdrup et al.	.....	D21/59	
D. 309,684	8/1990	Kohler	.....	D6/511	
D. 333,060	2/1993	Perego	.....	D6/511	
D. 345,386	3/1994	Gilliam-Ogle	.....	D21/59	
D. 358,421	5/1995	Chow et al.	.....	D19/60	

D. 360,224	7/1995	Chow et al.	.....	D19/60	
D. 363,193	10/1995	Rostkowski, Jr.	.....	D7/555	X
D. 364,537	11/1995	Anderson	.....	D7/555	X
D. 366,504	1/1996	Bannick	.....	D21/59	
4,606,576	8/1986	Jones	.....	297/148	X
5,294,172	3/1994	Dubus	.....	297/148	
5,348,368	9/1994	Garcia et al.	.....	297/148	
5,531,502	7/1996	Berggren	.....	297/153	X

*Primary Examiner*—Jeffrey Asch

[57] **CLAIM**

The ornamental design for a combination dinner tray/entertainment device for a high chair, as shown and described.

**DESCRIPTION**

FIG. 1 is a right view of the combination dinner tray/entertainment device for a high chair showing my new design;

FIG. 2 is a left elevational view thereof;

FIG. 3 is a front elevational view thereof;

FIG. 4 is a rear elevational view thereof;

FIG. 5 is a top plan view thereof illustrating the entertainment side of the device;

FIG. 6 is a bottom plan view thereof illustrating the dinner tray side of the device;

FIG. 7 is an isometric view thereof of the entertainment side; and,

FIG. 8 is an isometric view thereof of the dinner side.

**1 Claim, 4 Drawing Sheets**

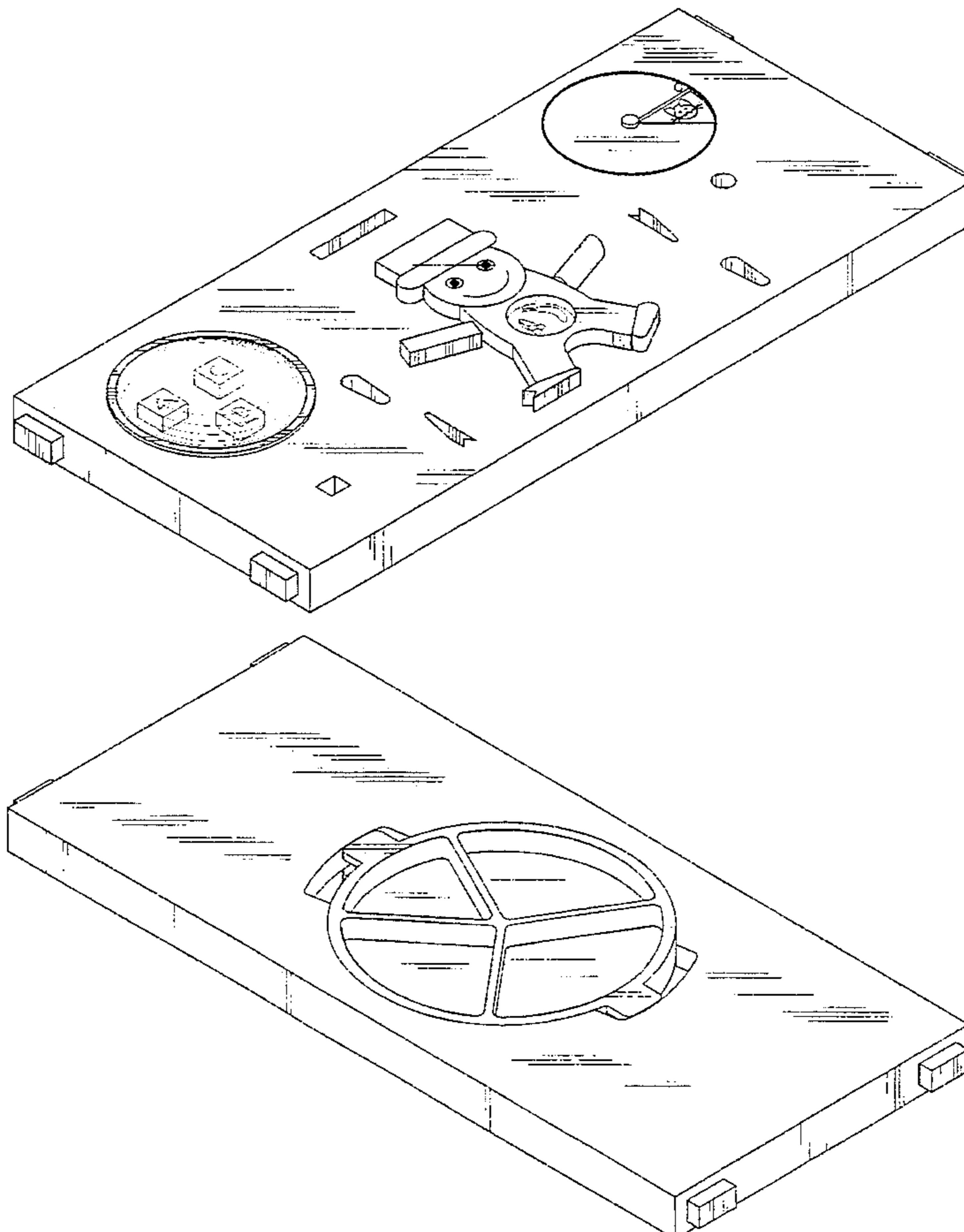


FIG. 1

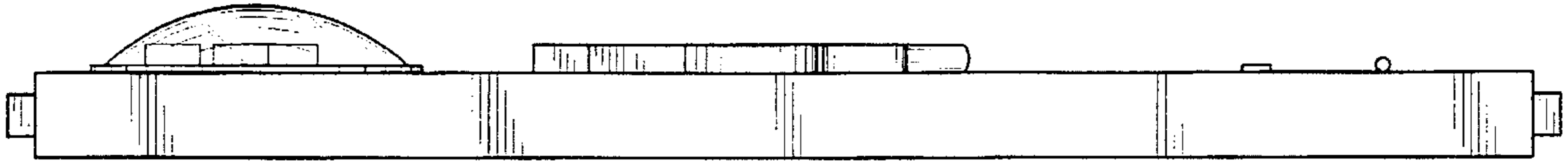


FIG. 2

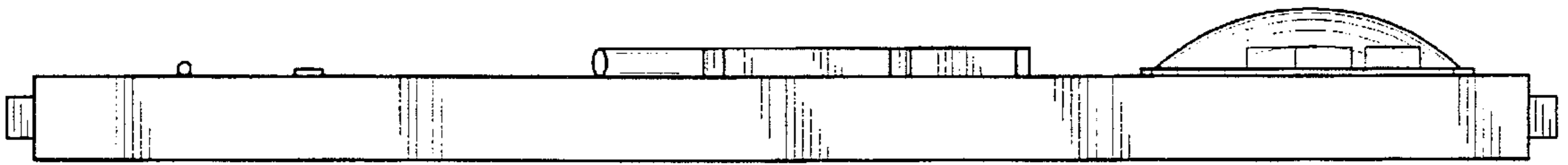


FIG. 3

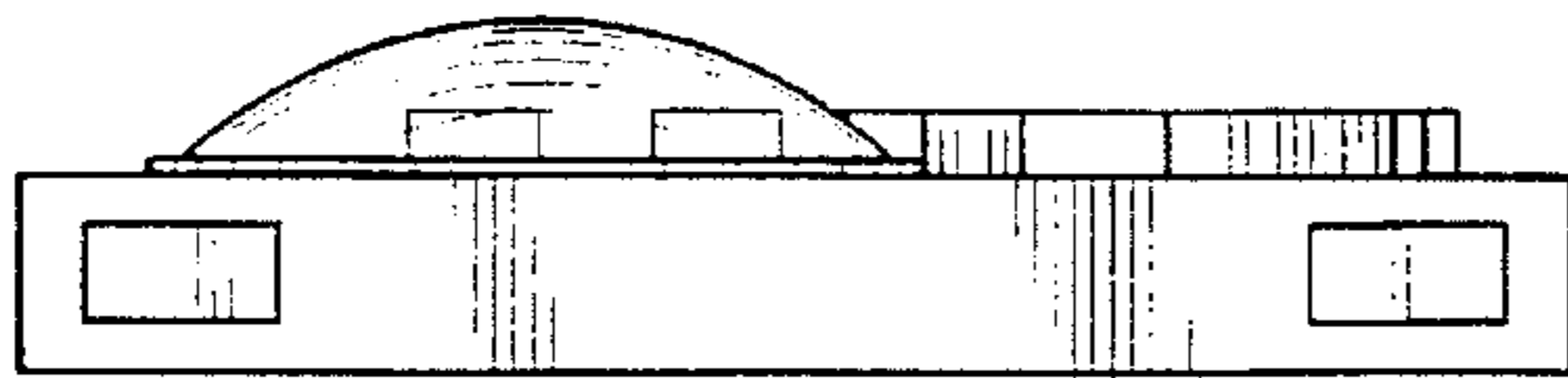


FIG. 4

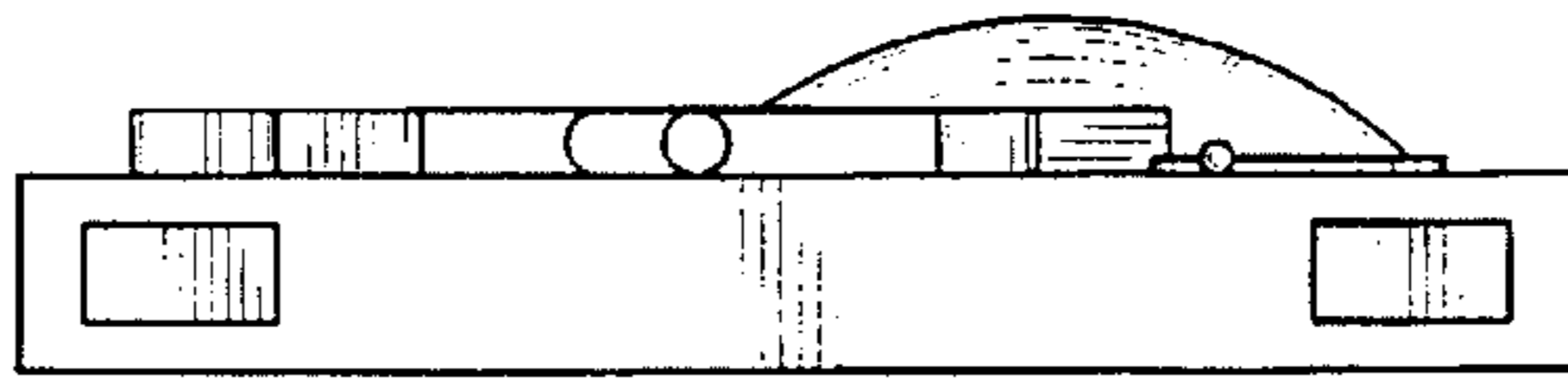


FIG. 5

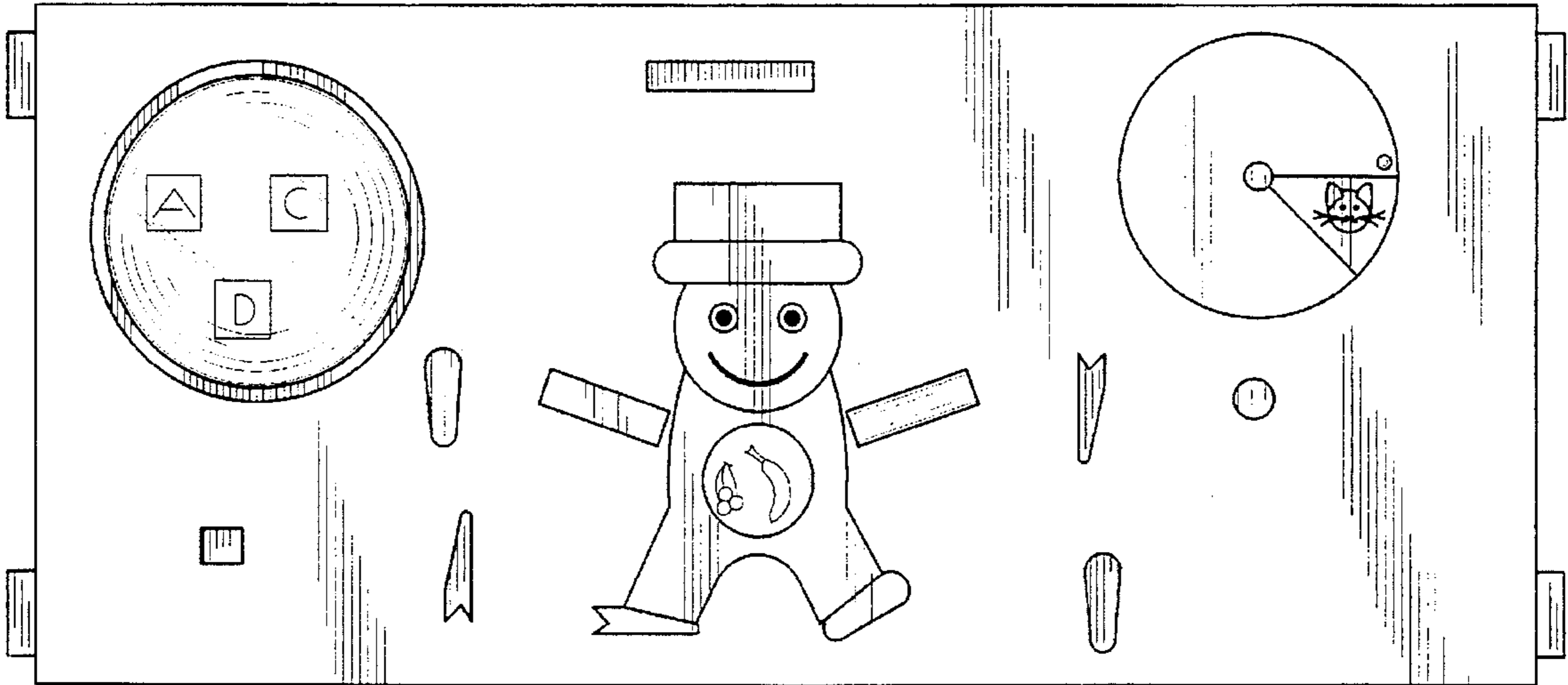
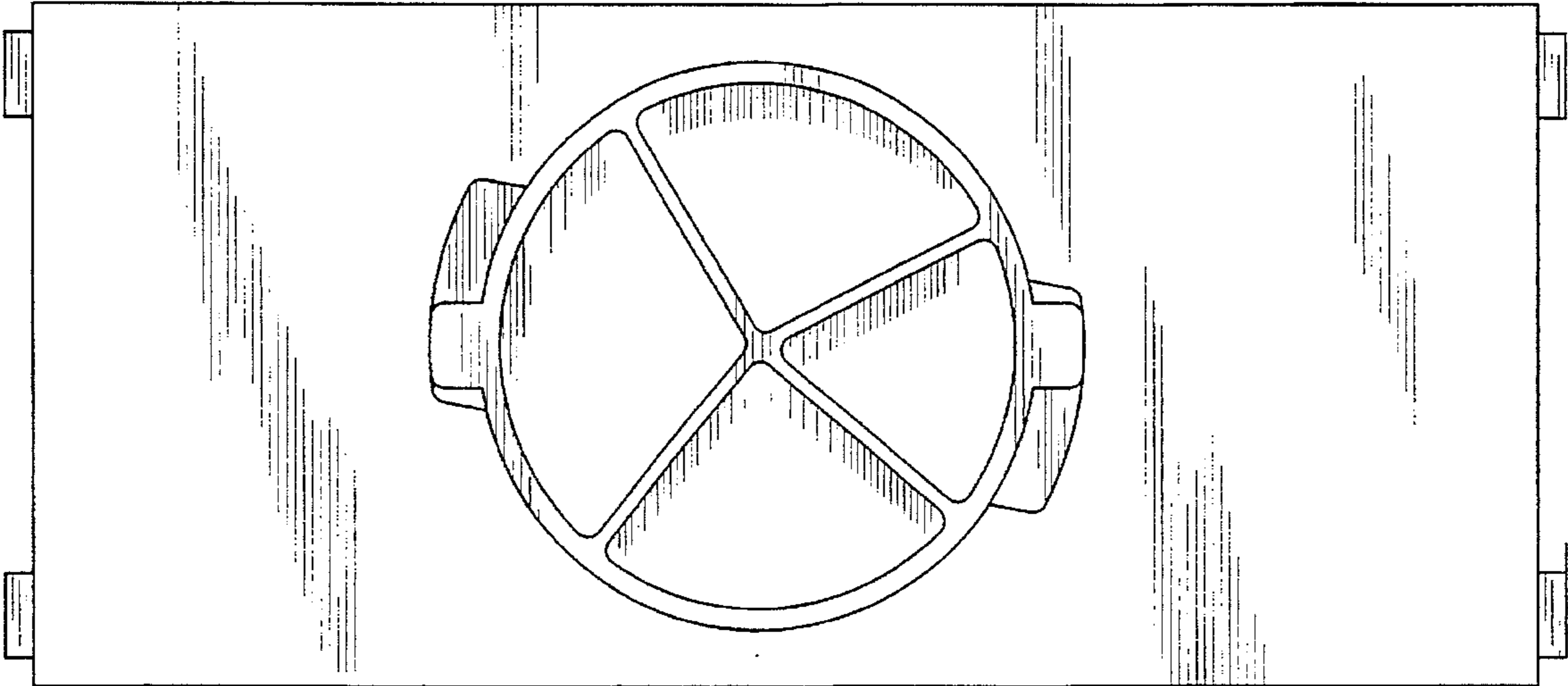


FIG. 6



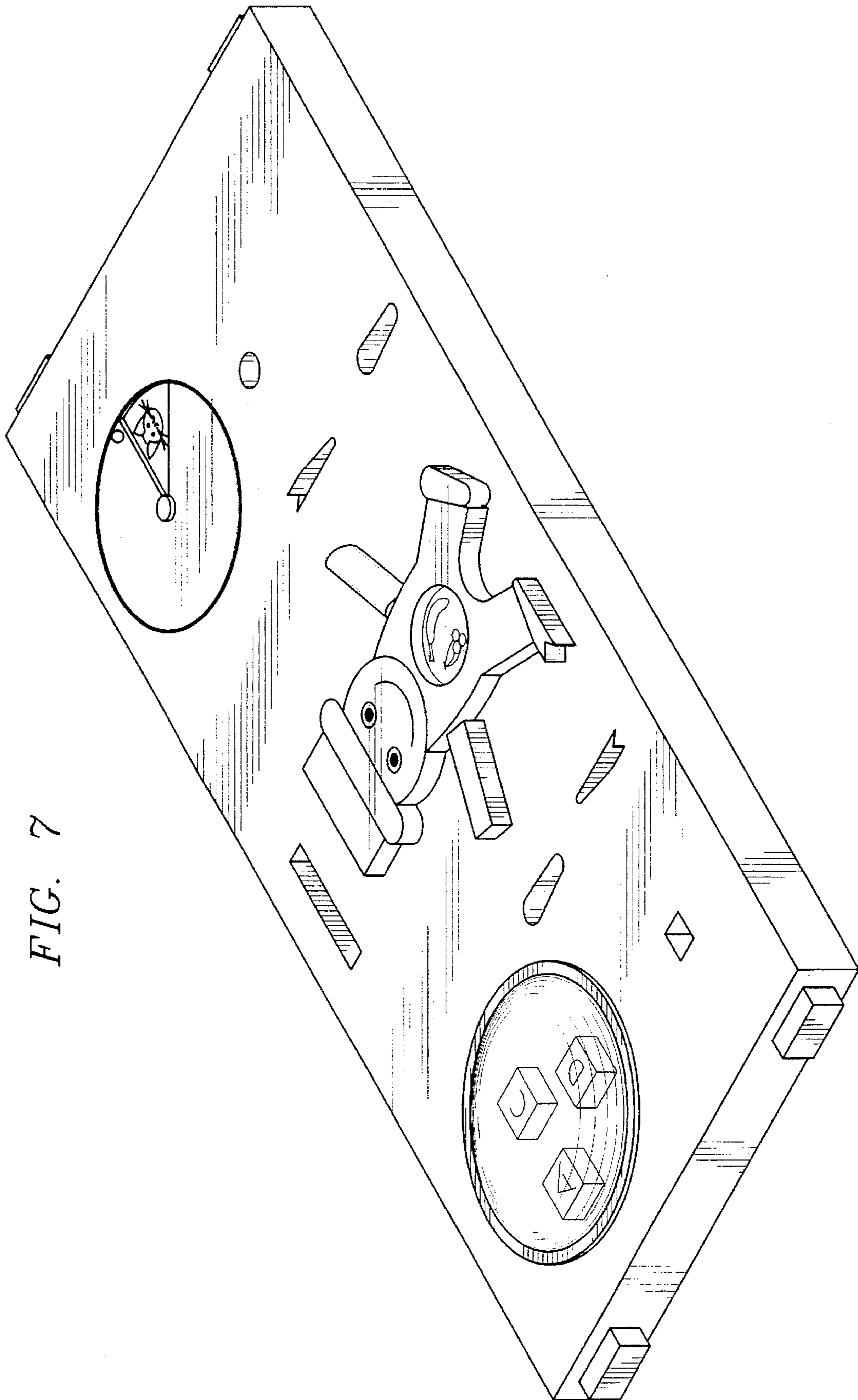


FIG. 7

FIG. 8

