



US00D383336S

United States Patent [19]

[11] Patent Number: **Des. 383,336**

Van Der Merwe et al.

[45] Date of Patent: ****Sep. 9, 1997**

[54] **MOBILE SHELVING UNIT**

[76] Inventors: **Willem Jacobus Van Der Merwe;**
Johannes Abraham Burger, both of
P.O. Box 12723, Clubview, 0014, South
Africa

[**] Term: **14 Years**

[21] Appl. No.: **53,470**

[22] Filed: **Apr. 23, 1996**

[30] **Foreign Application Priority Data**

Oct. 30, 1995 [ZA] South Africa A95/1048

[51] LOC (6) Cl. **06-04**

[52] U.S. Cl. **D6/474; D6/479; D34/21**

[58] **Field of Search** D6/429, 449, 463-465,
D6/473-480, 482-487, 490; 108/16, 31,
32, 90-93, 59, 96, 100, 101, 115, 149,
144, 157, 106, 150, 33, 153; 211/42, 194,
49.1, 90, 134, 135, 186-188, 179, 149,
150; D25/62-64, 66; D34/30, 12, 21, 14,
24, 27; 248/129; 280/35, 47.35, 79.3; 198/326;
182/20-23, 27, 115, 194

[56] **References Cited**

U.S. PATENT DOCUMENTS

D. 118,060 12/1939 Smith D34/24
D. 248,290 6/1978 Guerelte D34/30

D. 249,618 9/1978 Oxenhandler D6/479 X
D. 314,102 1/1991 Yau Kee D34/12 X
D. 364,292 11/1995 Good D6/479
D. 364,763 12/1995 Sielaff D6/474 X
D. 366,749 1/1996 Carlson et al. D34/27
1,791,330 2/1931 Sprague 182/21
3,430,972 3/1969 Fiedler 280/30
3,946,833 3/1976 Riehlmann 182/20

FOREIGN PATENT DOCUMENTS

560022 9/1993 European Pat. Off. 108/101
2543231 9/1984 France 108/91

Primary Examiner—James Gandy
Assistant Examiner—Linda Brooks
Attorney, Agent, or Firm—Banner & Witcoff, Ltd.

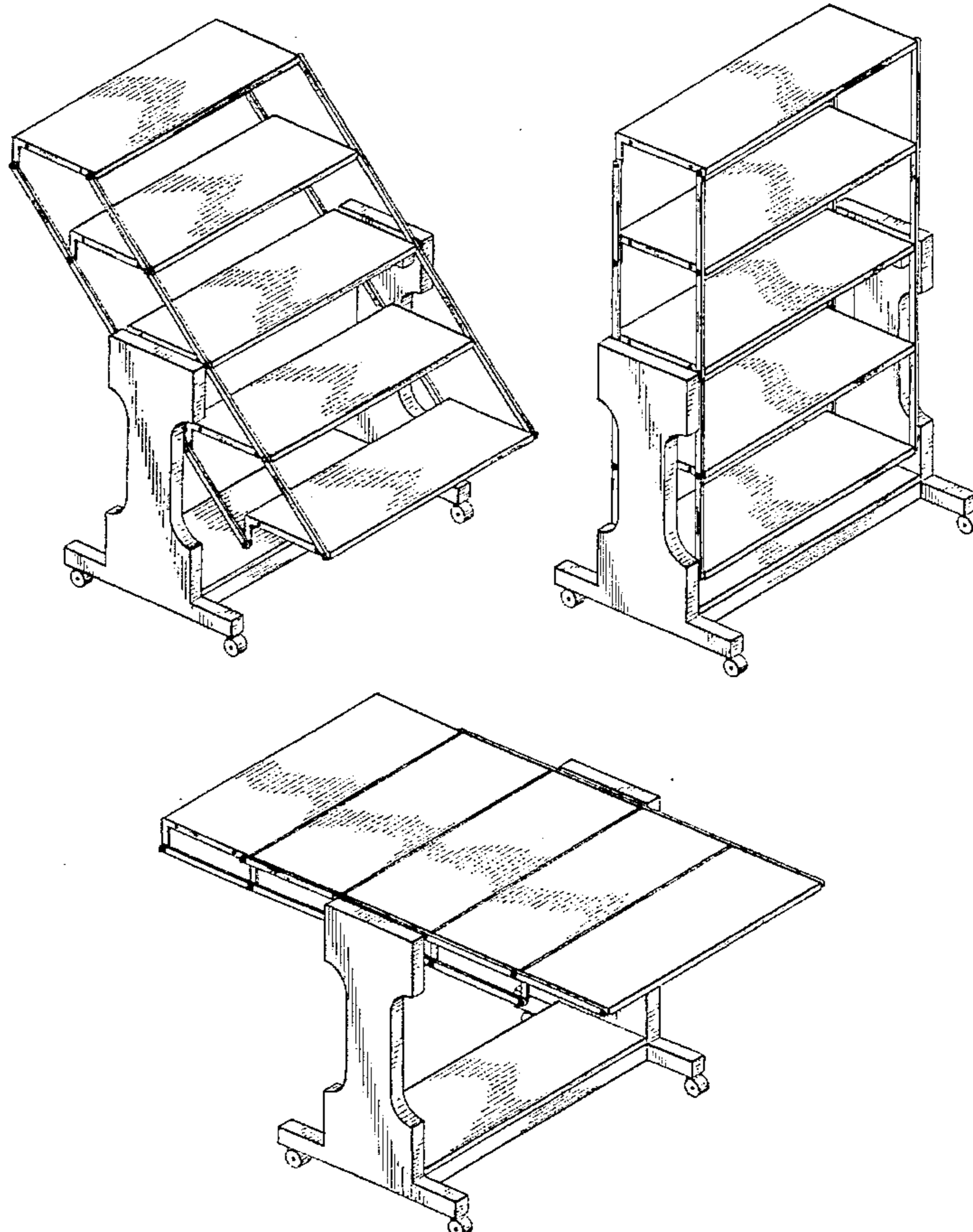
[57] **CLAIM**

The ornamental design for a mobile shelving unit, as shown and described.

DESCRIPTION

FIG. 1 is a perspective view of a mobile shelving unit from the front and left sides, with the shelves in a slanted position; FIG. 2 is a perspective view from the front and left sides, with the shelves in an alternate upright position; and, FIG. 3 is a perspective view from the front and left sides, with the shelves in an alternate adjacent position. The views from the right and rear sides are reverse images of the views from the left and front sides.

1 Claim, 3 Drawing Sheets



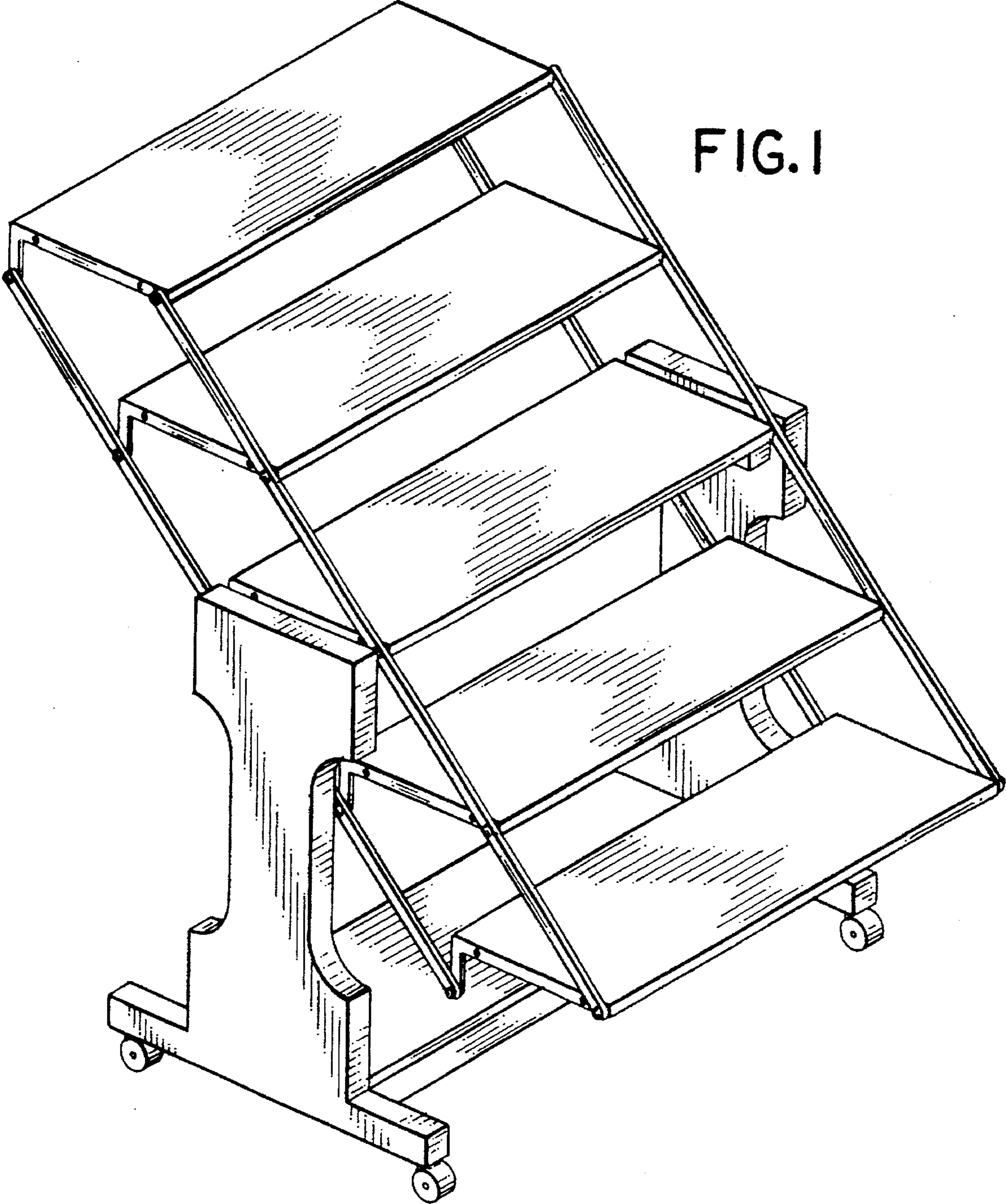


FIG. 1

FIG. 2

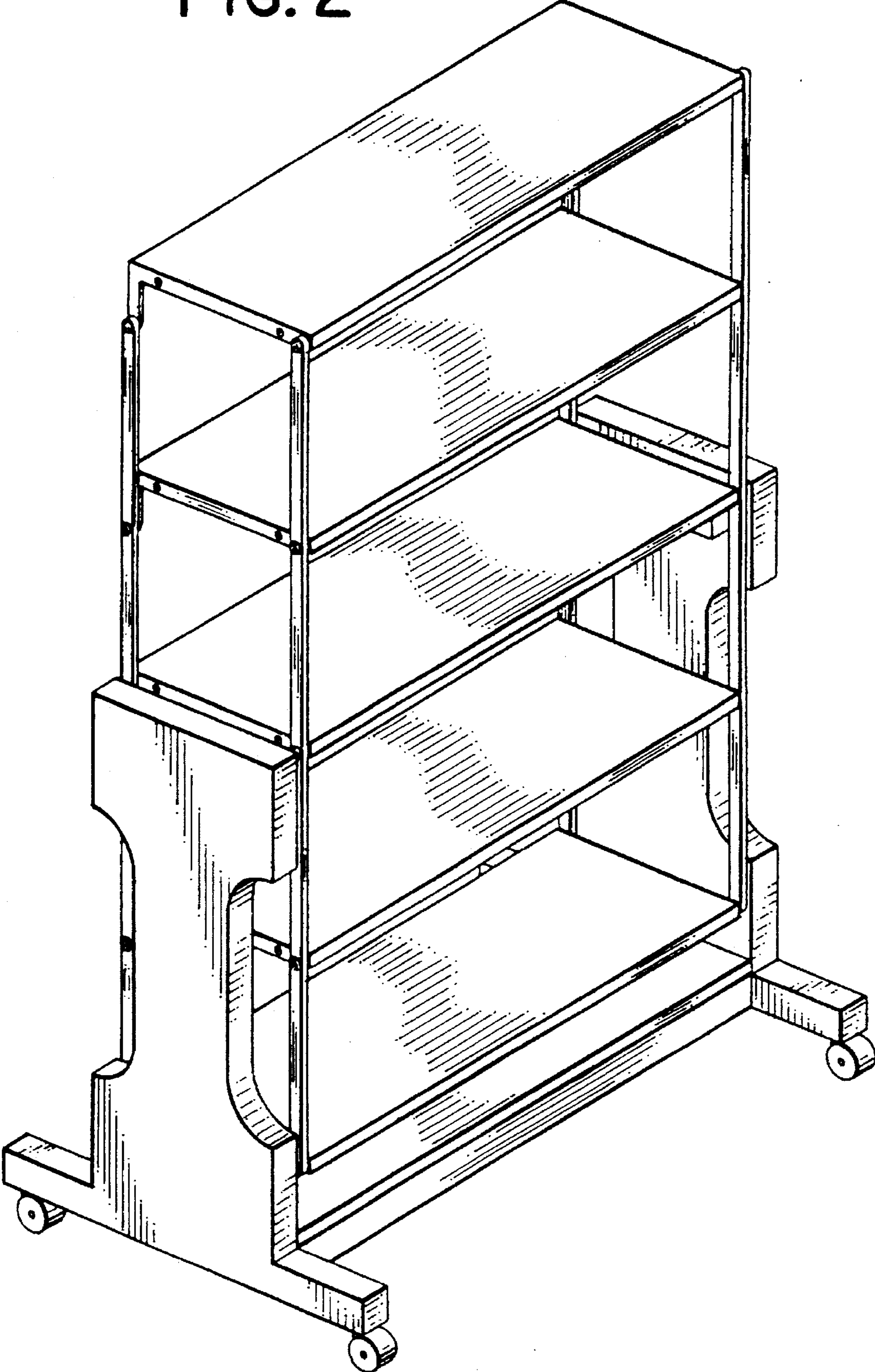


FIG. 3

