



US00D383322S

United States Patent [19]

Dammermann et al.

[11] Patent Number: **Des. 383,322**

[45] Date of Patent: ****Sep. 9, 1997**

[54] **SEATING UNIT**

[75] Inventors: **Arnold B. Dammermann; Michael L. Deimen**, both of Grand Rapids, Mich.

[73] Assignee: **Steelcase Inc.**, Grand Rapids, Mich.

[**] Term: **14 Years**

[21] Appl. No.: **35,048**

[22] Filed: **Feb. 17, 1995**

[51] **LOC (6) Cl.** **06-01**

[52] **U.S. Cl.** **D6/366**

[58] **Field of Search** D6/334, 354, 365,
D6/366, 367, 374, 500, 501, 502; 297/411.2,
452.33, 452.36

[56] **References Cited**

U.S. PATENT DOCUMENTS

D. 185,849	8/1959	Christenson et al.	D6/366
D. 236,173	8/1975	Ruf	D6/366
D. 296,624	7/1988	Bellini	D6/366
D. 299,799	2/1989	Muller-Deisig et al. .	
D. 306,531	3/1990	Snodgrass	D6/366
D. 309,383	7/1990	Muller-Deising et al. .	
D. 311,286	10/1990	Muller-Deisig et al. .	
D. 312,003	11/1990	Muller-Deisig et al. .	
D. 312,536	12/1990	Muller-Deisig et al. .	

(List continued on next page.)

OTHER PUBLICATIONS

Exhibit A is a product brochure entitled "Relax Armrest," publication date unknown, published by RH Form AB, Bodafors, Sweden, disclosing an armrest.

Exhibit B is a product brochure entitled "The Chair Works," publication date unknown, published by The Chair Works, Inc., College Station, Texas, disclosing chairs having armrests.

Exhibit C is a product brochure entitled "Comforto®," publication date unknown, published by Haworth, Europe, disclosing various chairs with arms.

Exhibit D is a product brochure entitled "Office Views," publication date unknown, published by Sitag International, Irvine, California, disclosing various chairs with arms.

Primary Examiner—Gary D. Watson

Attorney, Agent, or Firm—Price, Heneveld, Cooper, DeWitt & Litton

[57] **CLAIM**

The ornamental design for a seating unit, as shown and described.

DESCRIPTION

FIG. 1 is a perspective view of a seating unit showing our new design;

FIG. 2 is a front view of the seating unit shown in FIG. 1;

FIG. 3 is a left side view of the seating unit shown in FIG. 1, the right side being a mirror image thereof;

FIG. 4 is a rear view of the seating unit shown in FIG. 1;

FIG. 5 is a top view of the seating unit shown in FIG. 1;

FIG. 6 is a perspective view of another embodiment showing our new design;

FIG. 7 is a front view of the embodiment shown in FIG. 6;

FIG. 8 is a left side view of the embodiment shown in FIG. 6, the right side being a mirror image thereof;

FIG. 9 is a rear view of the embodiment shown in FIG. 6;

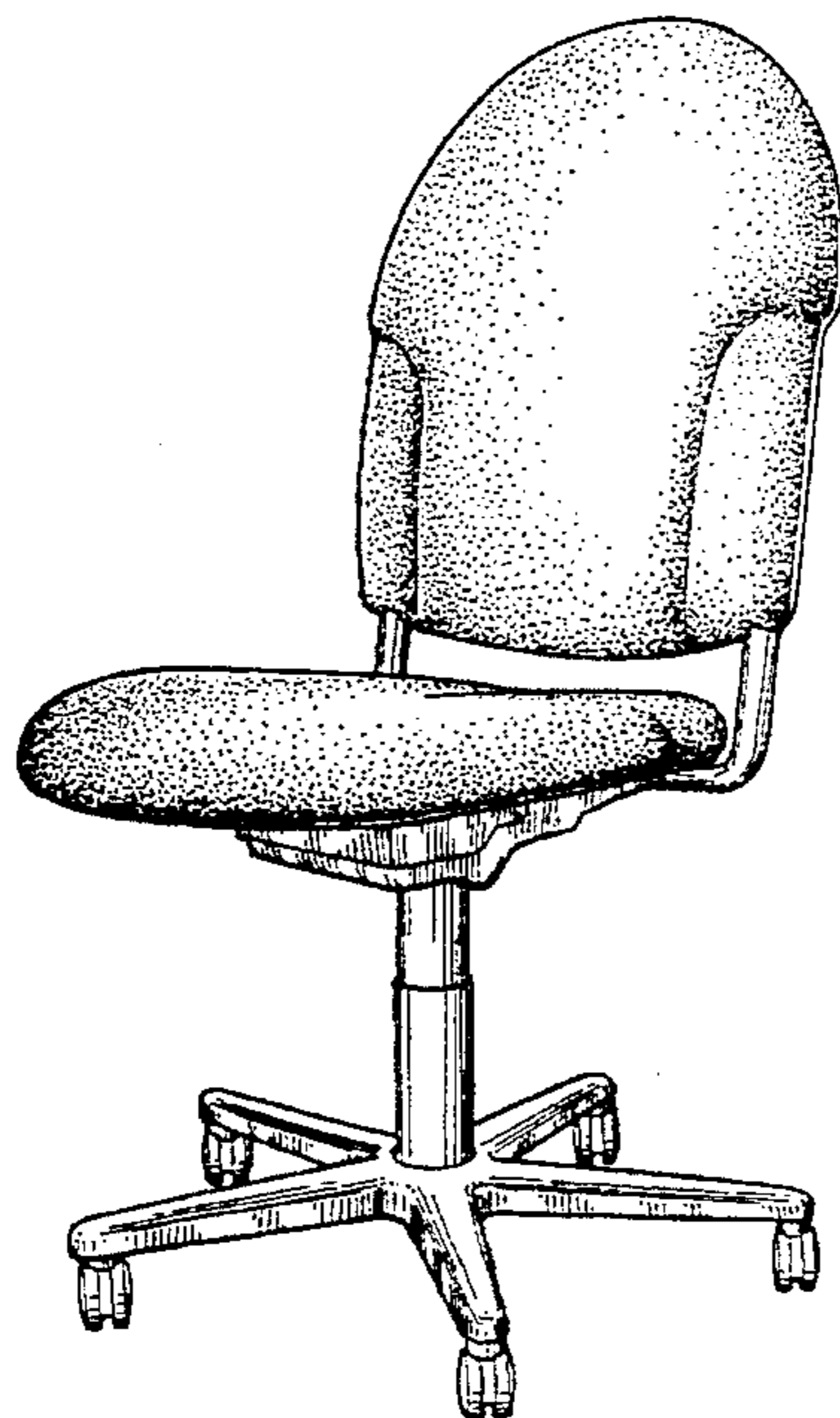
FIG. 10 is a top view of the embodiment shown in FIG. 6;

FIG. 11 is a second top view of the embodiment shown in FIG. 6, the armrests being shown in a second position;

FIG. 12 is a second front view of the embodiment shown in FIG. 6, the armrest being shown in the second position; and,

FIG. 13 is a second rear view of the embodiment shown in FIG. 6, the armrests being shown in the second position.

1 Claim, 7 Drawing Sheets



U.S. PATENT DOCUMENTS

D. 315,066	3/1991	Adams et al.	D6/366	3,704,911	12/1972	Malakovich	D6/366 X
D. 315,836	4/1991	Kaiser	D6/334	4,720,142	1/1988	Holdredge et al. .	
D. 318,184	7/1991	Muller -Deisig et al. .		4,744,603	5/1988	Knoblock .	
D. 320,507	10/1991	Shields	D6/366	4,911,501	3/1990	Decker et al. .	
D. 322,363	12/1991	Narita	D6/366	4,966,412	10/1990	Dauphin .	
D. 326,369	5/1992	Buchacz	D6/366	5,029,940	7/1991	Golynsky et al. .	
D. 327,585	7/1992	Hollington	D6/366	5,035,466	7/1991	Mathews et al. .	
D. 345,470	3/1994	Narita	D6/366	5,046,780	9/1991	Decker et al. .	
D. 346,909	5/1994	Obata et al.	D6/366	5,106,157	4/1992	Nagelkirk et al. .	
D. 354,178	1/1995	Ochsner	D6/366	5,288,138	2/1994	Stulik et al. .	
D. 358,064	5/1995	Larkin	D6/366	5,318,345	6/1994	Olson .	
D. 368,172	3/1996	Locher	D6/366	5,385,388	1/1995	Faiks et al. .	

FIG. 1

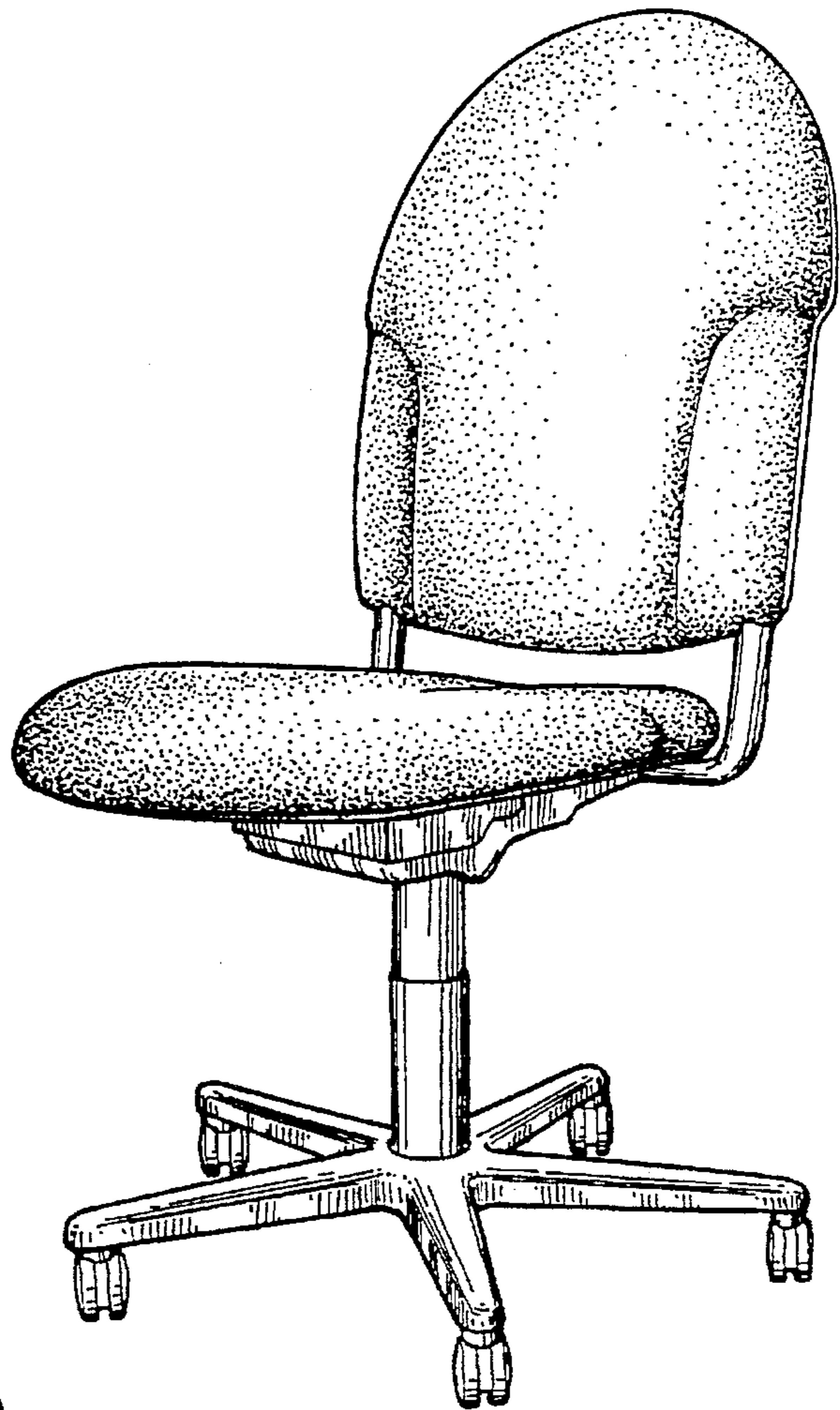
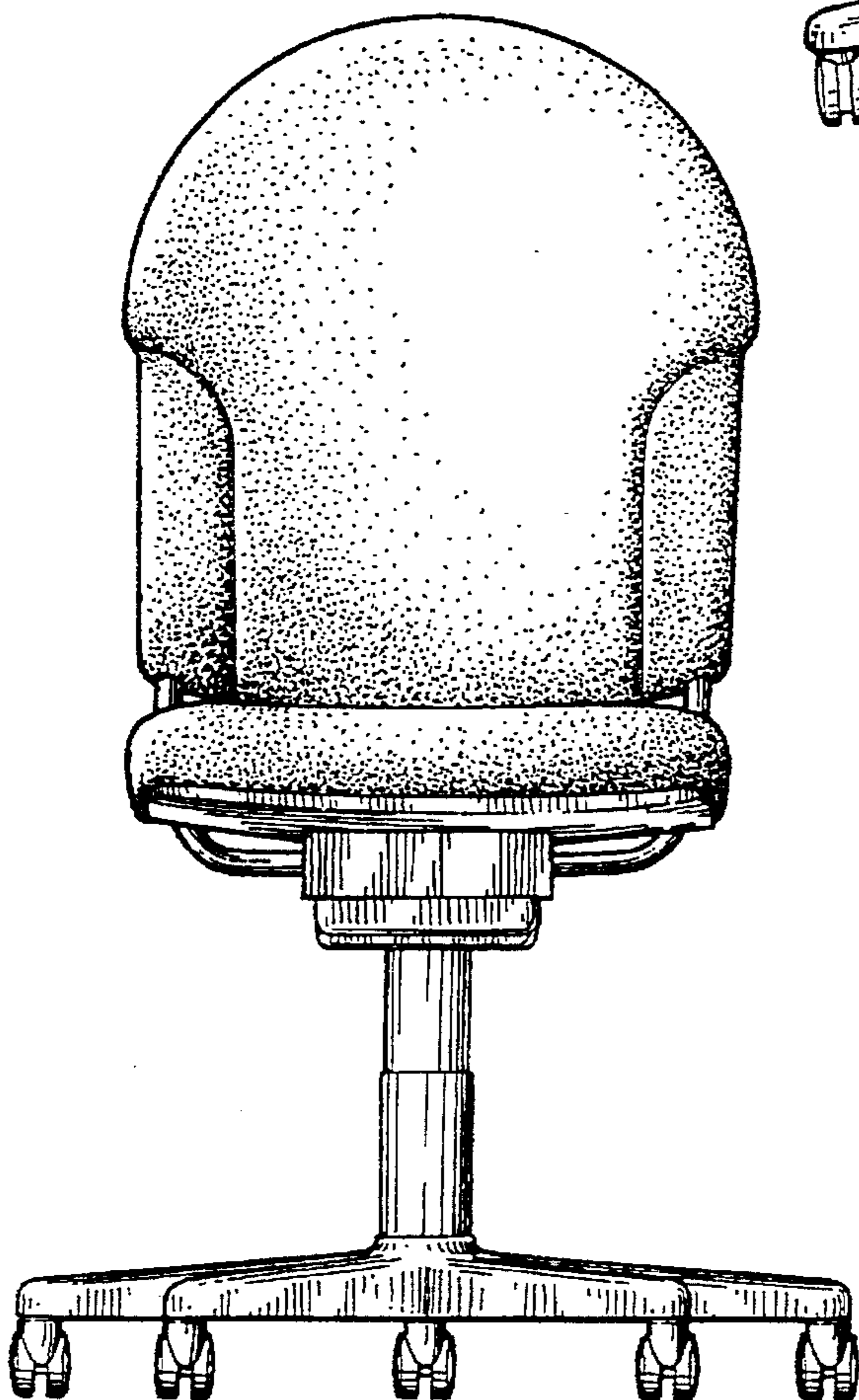


FIG. 2



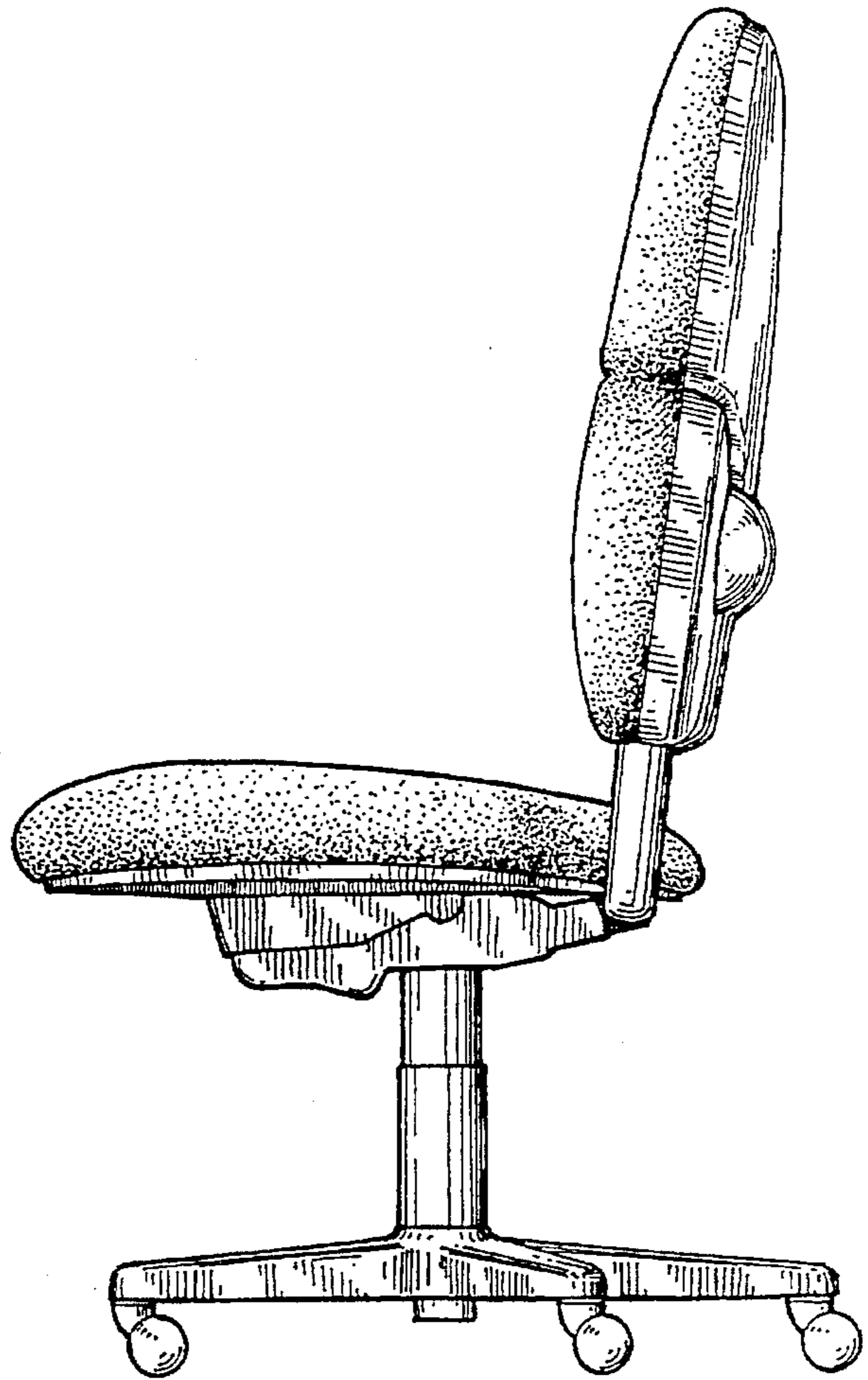


FIG. 3

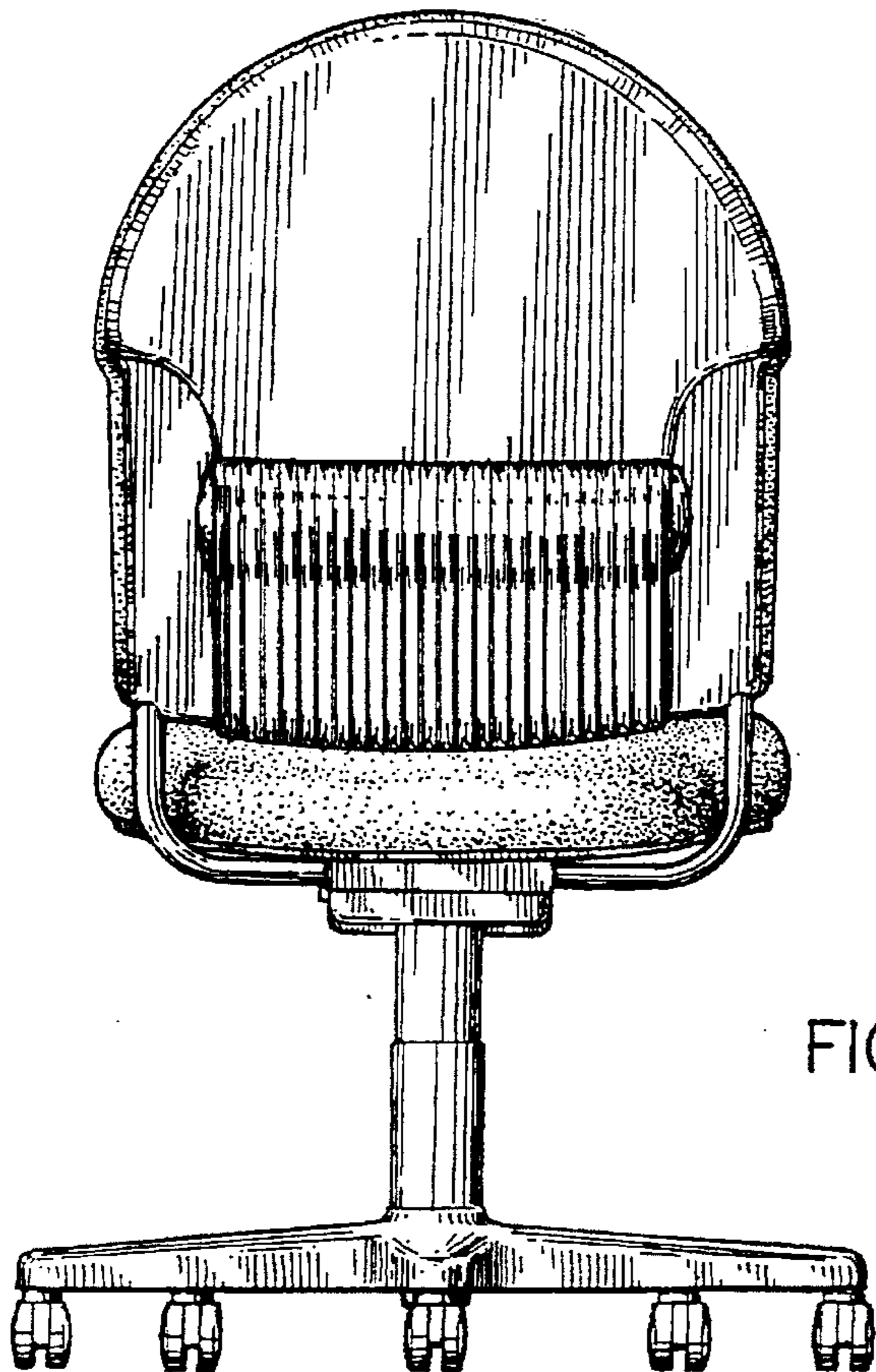


FIG. 4

FIG. 5

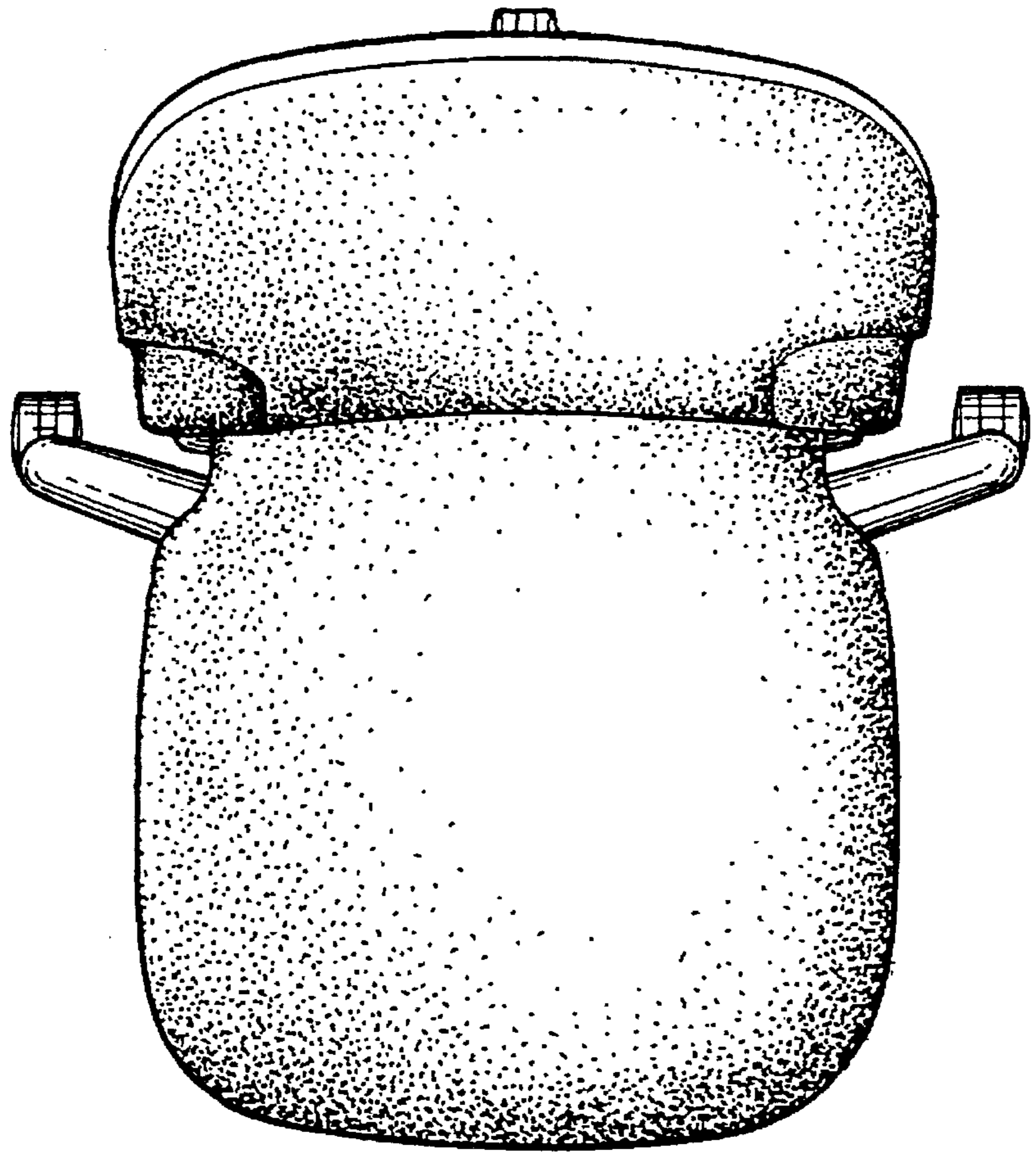


FIG. 6

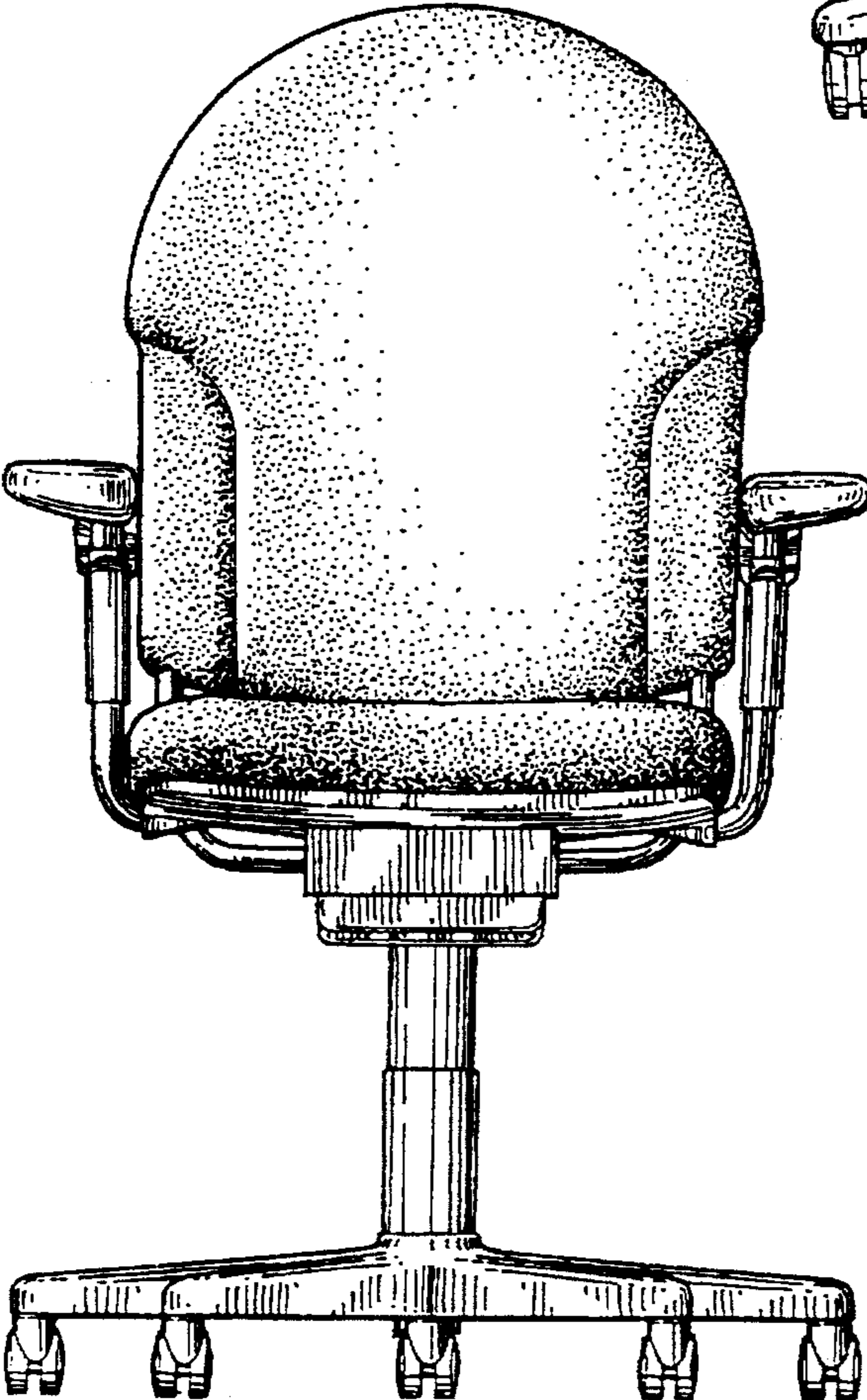
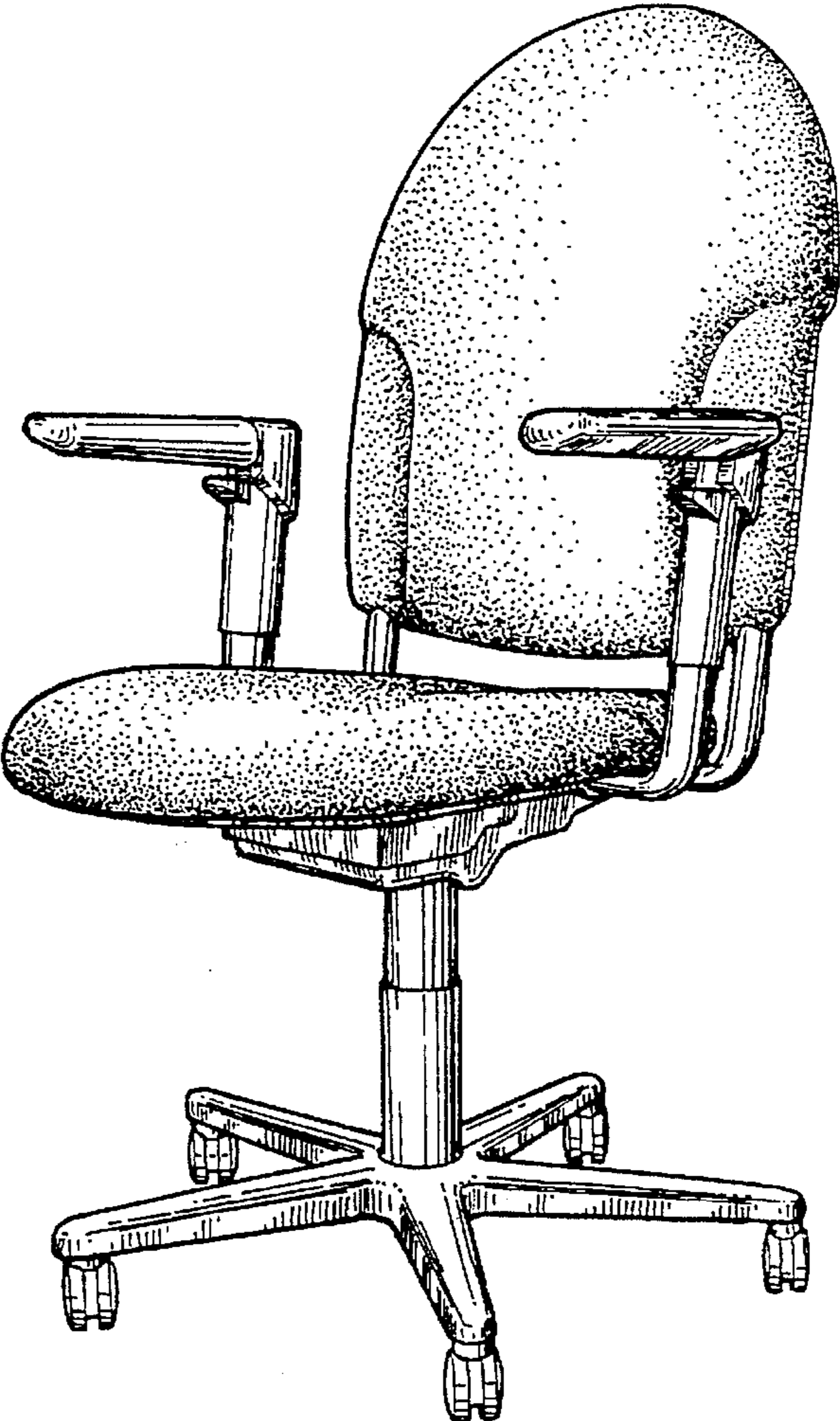


FIG. 7

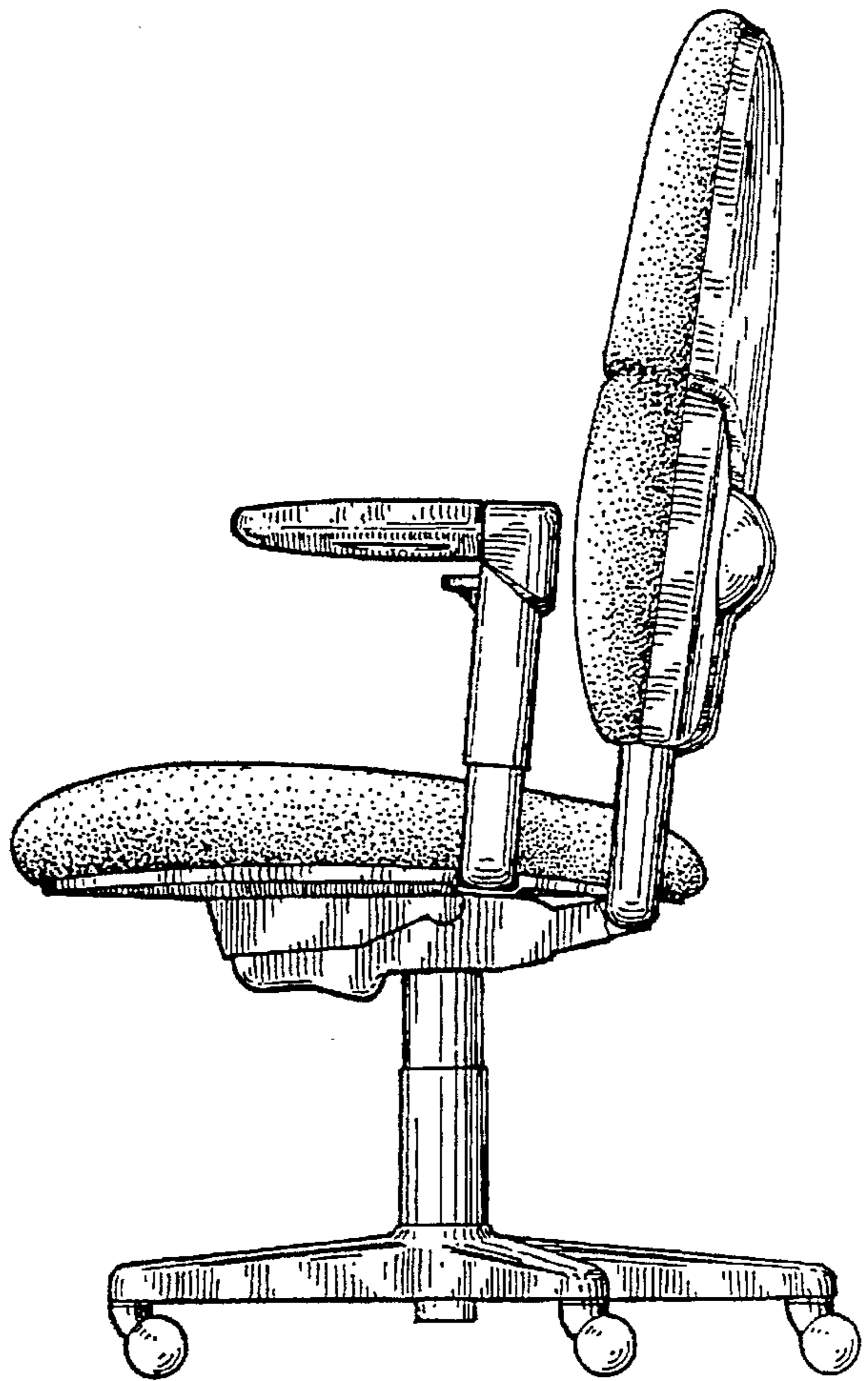


FIG. 8

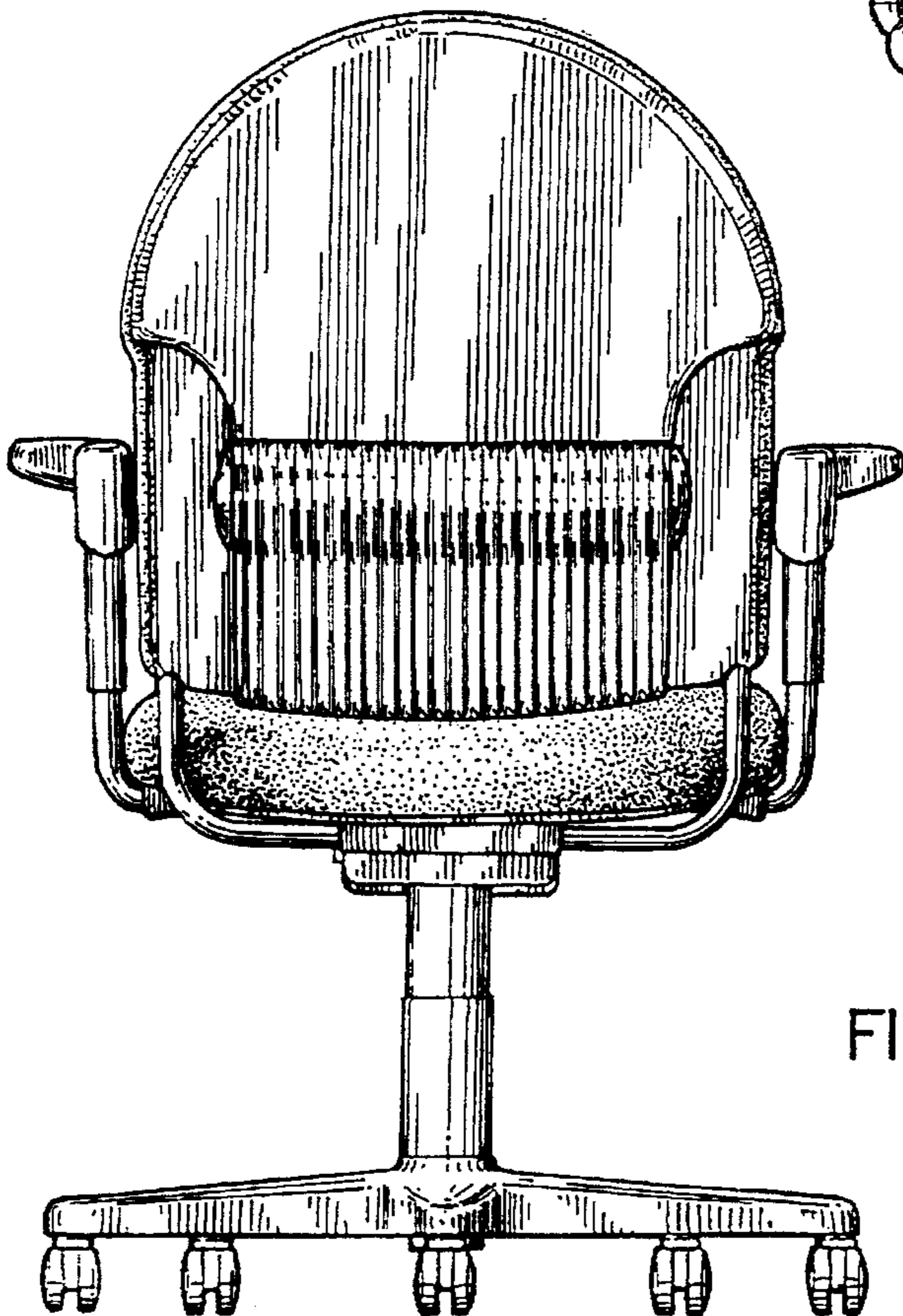


FIG. 9

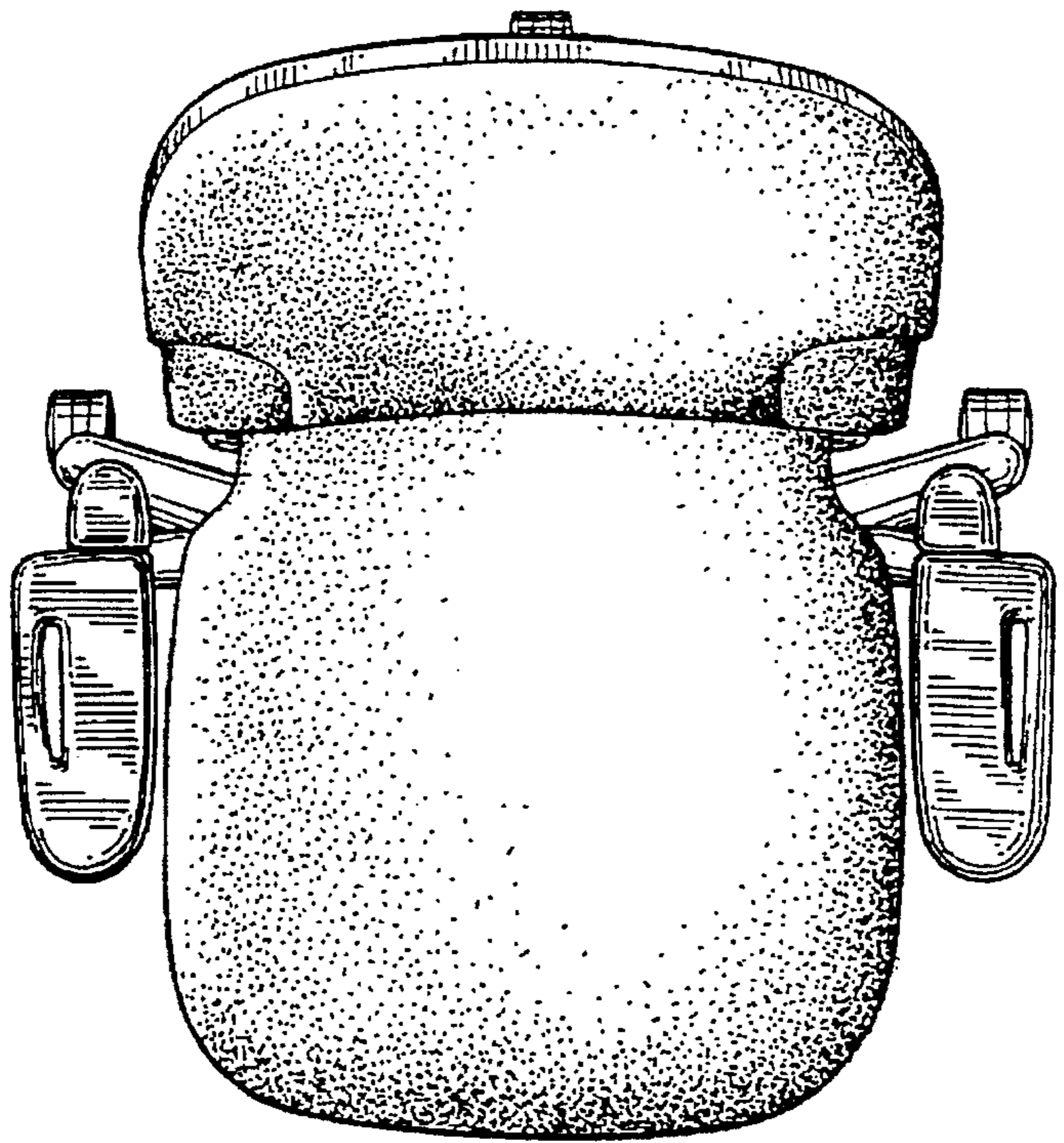


FIG. 10

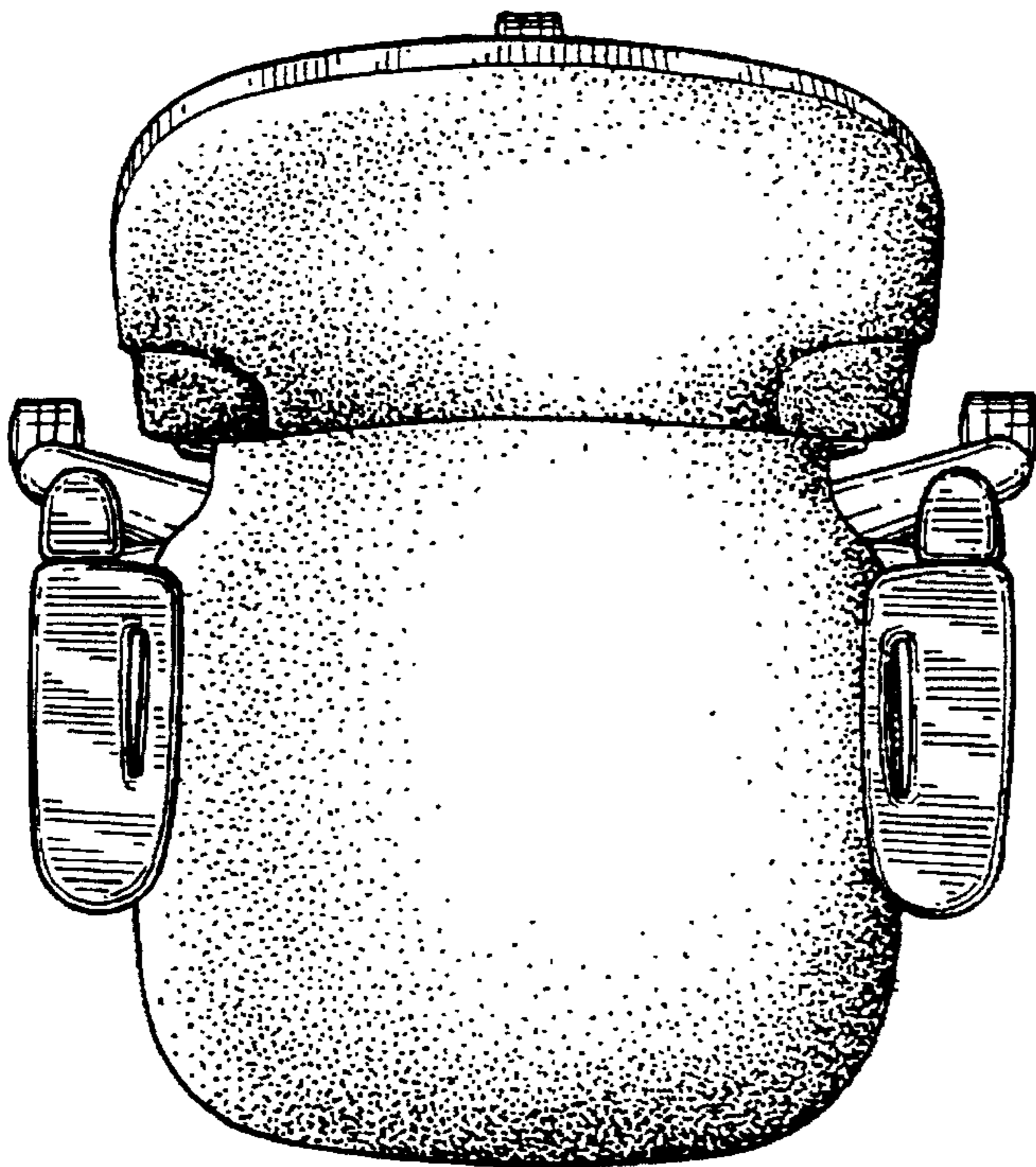


FIG. 11

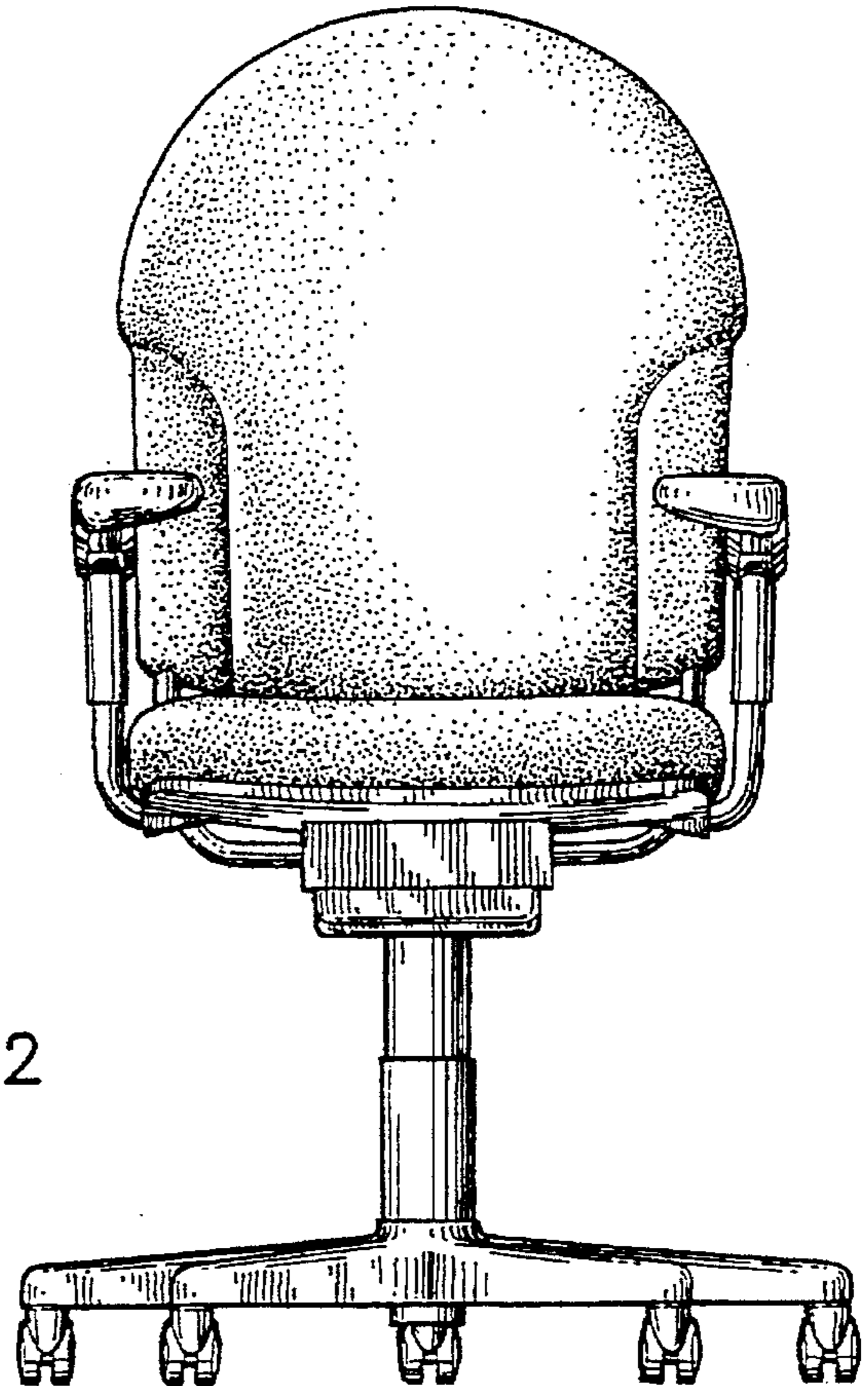


FIG. 12

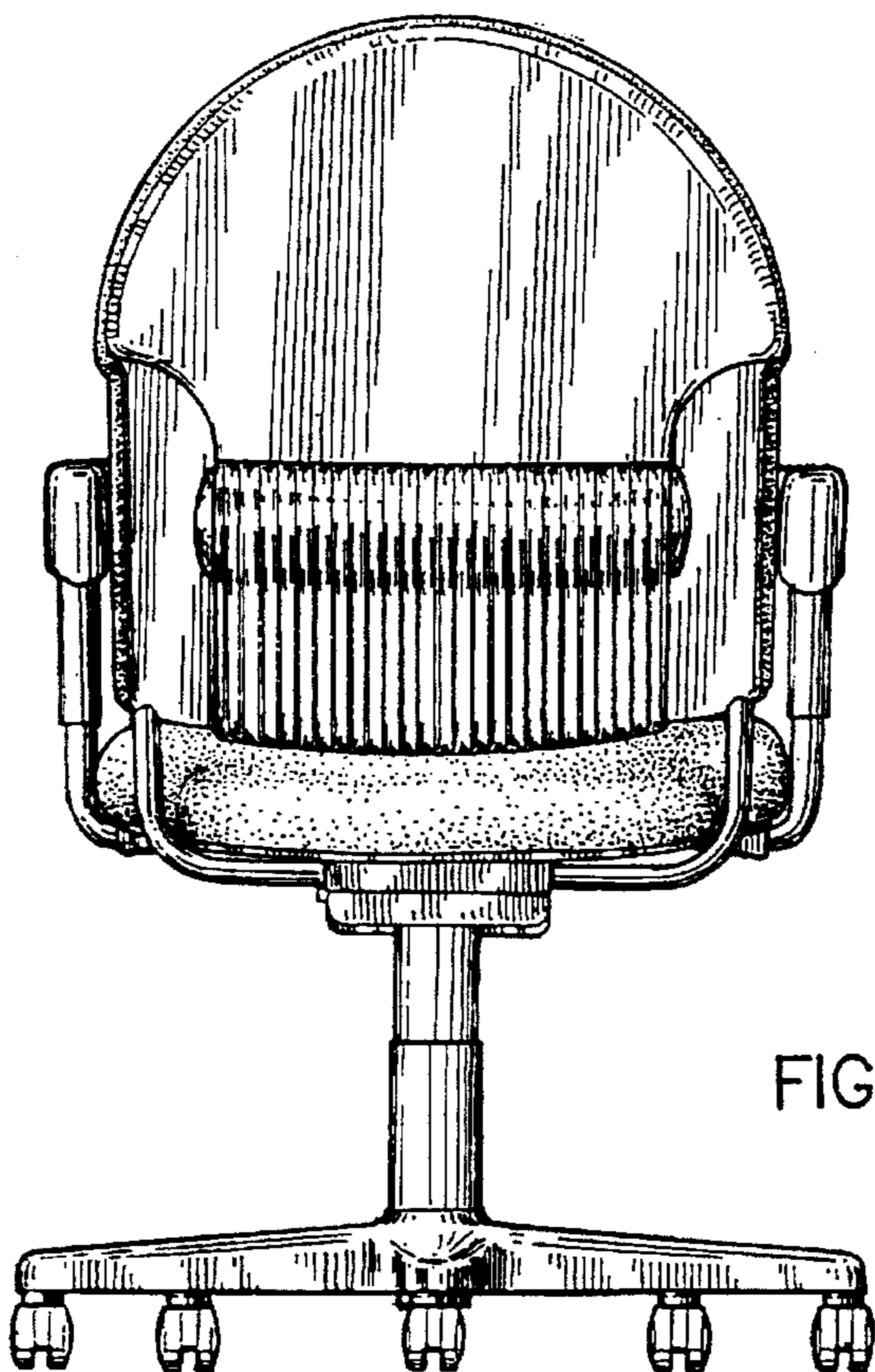


FIG. 13