



US00D383315S

**United States Patent** [19]  
**Woodring**

[11] **Patent Number: Des. 383,315**  
[45] **Date of Patent: \*\*Sep. 9, 1997**

[54] **CLOSET ORGANIZER**

[75] **Inventor: Cooper C. Woodring**, Topeka, Kans.  
[73] **Assignee: Barbara D. Arner**, Oxnard, Calif.  
[\*\*] **Term: 14 Years**

[21] **Appl. No.: 49,995**  
[22] **Filed: Feb. 6, 1996**

[51] **LOC (6) Cl. .... 06-08**  
[52] **U.S. Cl. .... D6/315**  
[58] **Field of Search ..... D6/315, 322, 324;**  
**211/95, 113, 115**

[56] **References Cited**

**U.S. PATENT DOCUMENTS**

D. 298,591	11/1988	Amer et al. ....	D6/315
D. 355,770	2/1995	Taylor et al. ....	D6/315
D. 362,345	9/1995	Arner .....	D6/315
2,275,749	3/1942	Fisher .....	211/163
2,515,293	7/1950	Carter .....	211/89
3,028,974	4/1962	Loeb .....	211/113
3,339,744	9/1967	Ginsberg .....	211/1.5
5,533,632	7/1996	Patterson et al. ....	211/115 X

**OTHER PUBLICATIONS**

Brochure; *Track Us Down. Fast.*; PN International; undated, Motorized Closet Valet.  
Brochure; *Fast Track II*; PN International Corp; undated, Motorized Coset Valet.

*Primary Examiner*—Terry A. Wallace  
*Attorney, Agent, or Firm*—Oppenheimer Poms Smith

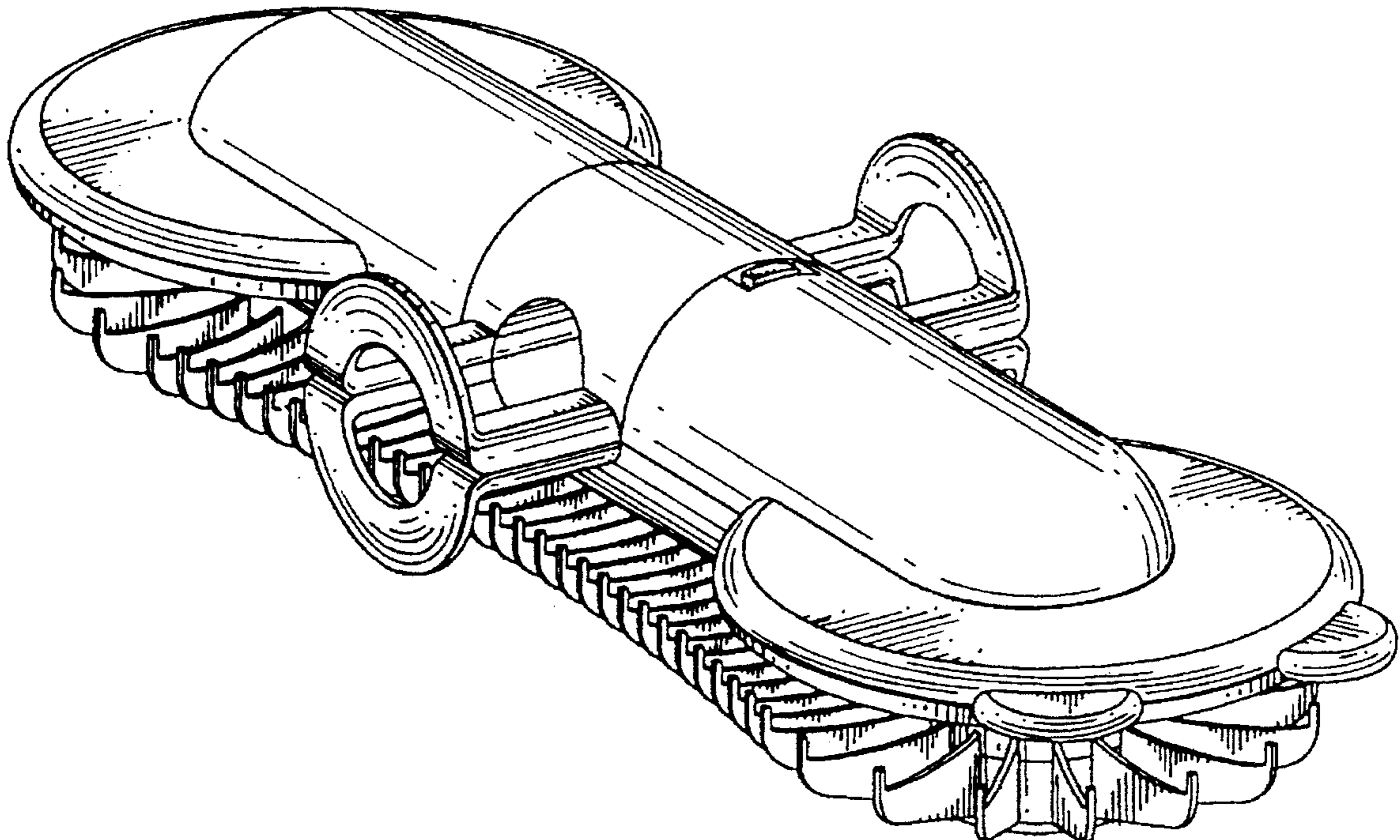
[57] **CLAIM**

The ornamental design for a closet organizer, as shown and described.

**DESCRIPTION**

FIG. 1 is a perspective view of a closet organizer showing my new design;  
FIG. 2 is a top plan view thereof;  
FIG. 3 is a bottom plan view thereof;  
FIG. 4 is a side elevation view thereof, the opposite side being a mirror image;  
FIG. 5 is a rear elevation view thereof;  
FIG. 6 is a front elevation view thereof; and,  
FIG. 7 is an exploded perspective view thereof.

**1 Claim, 4 Drawing Sheets**



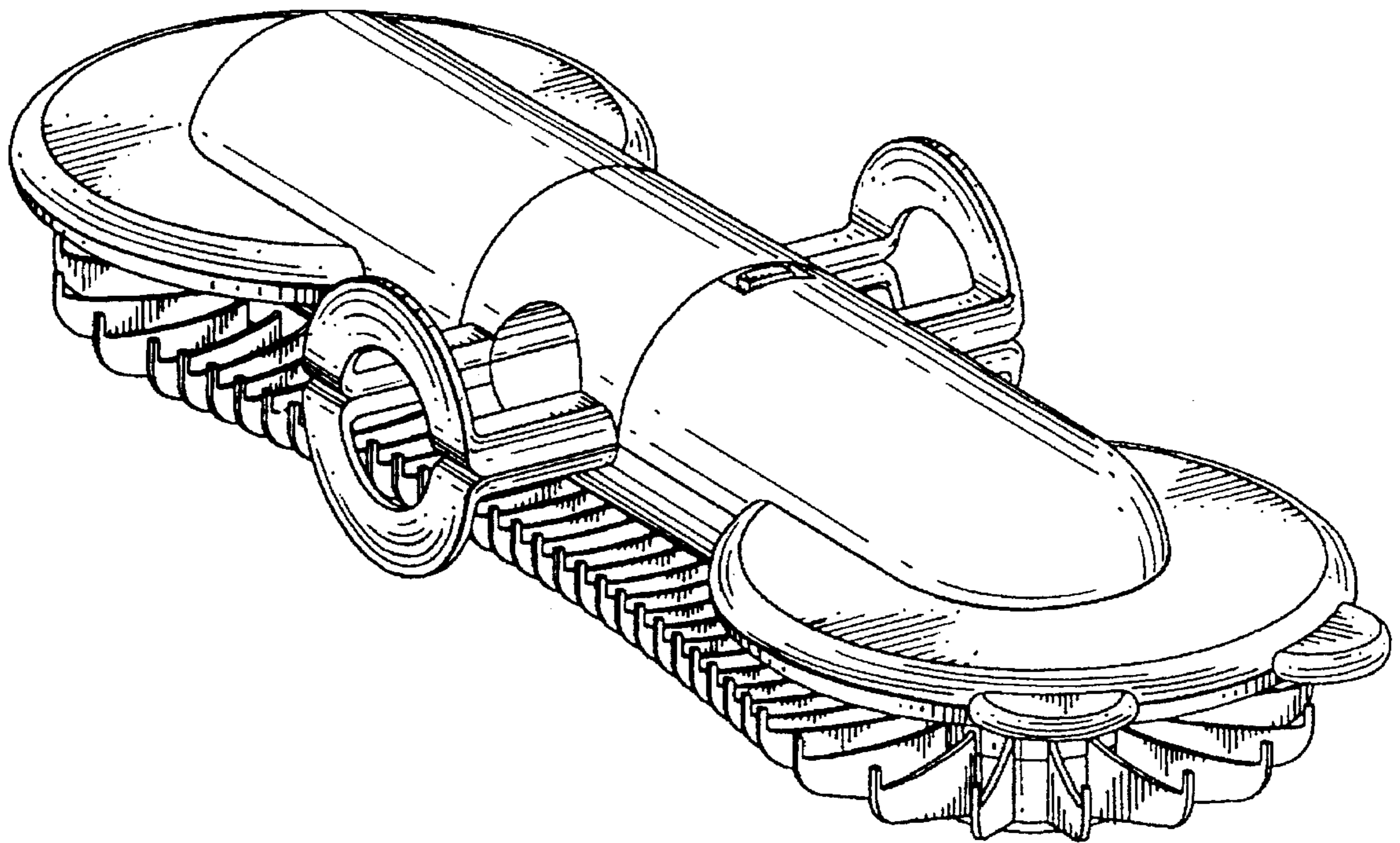


Fig. 1

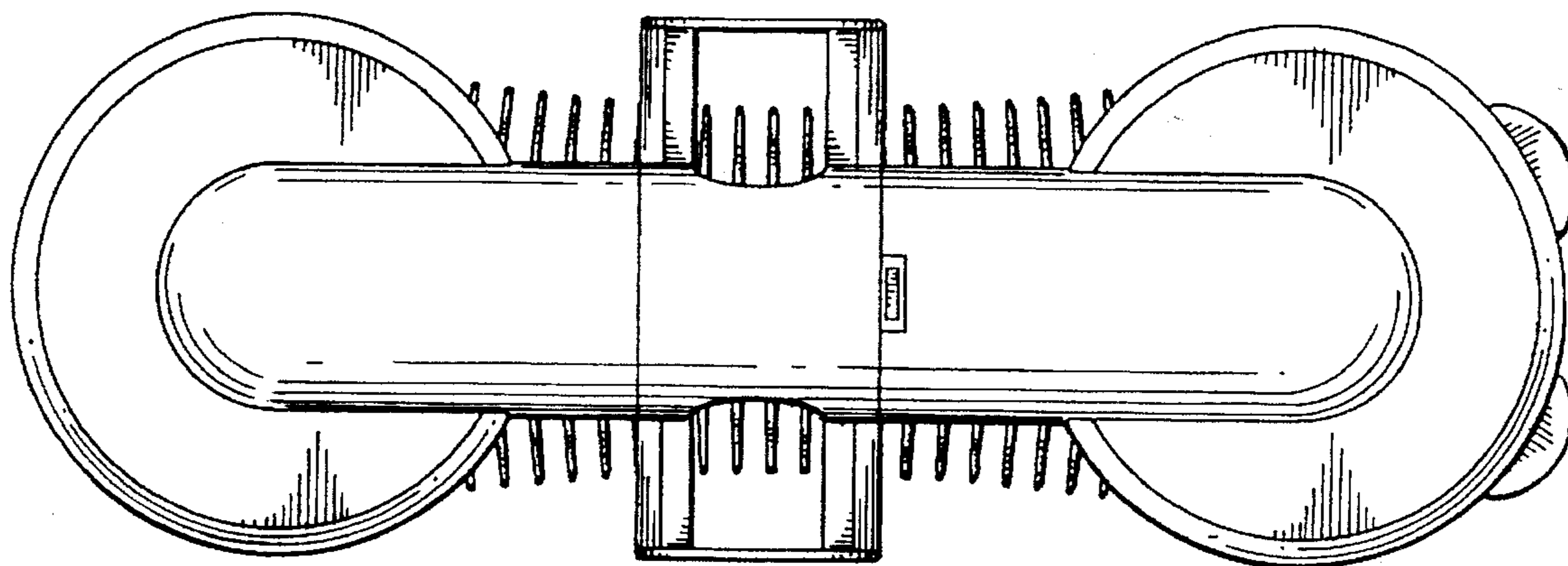


Fig. 2

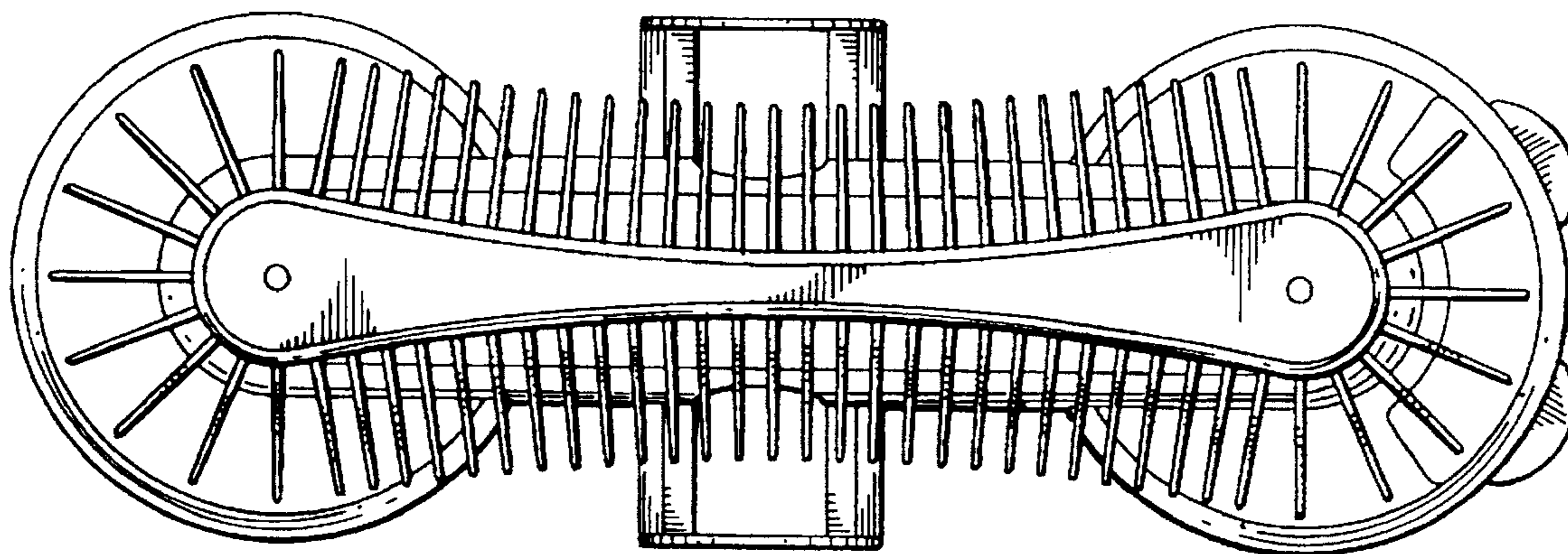


Fig. 3



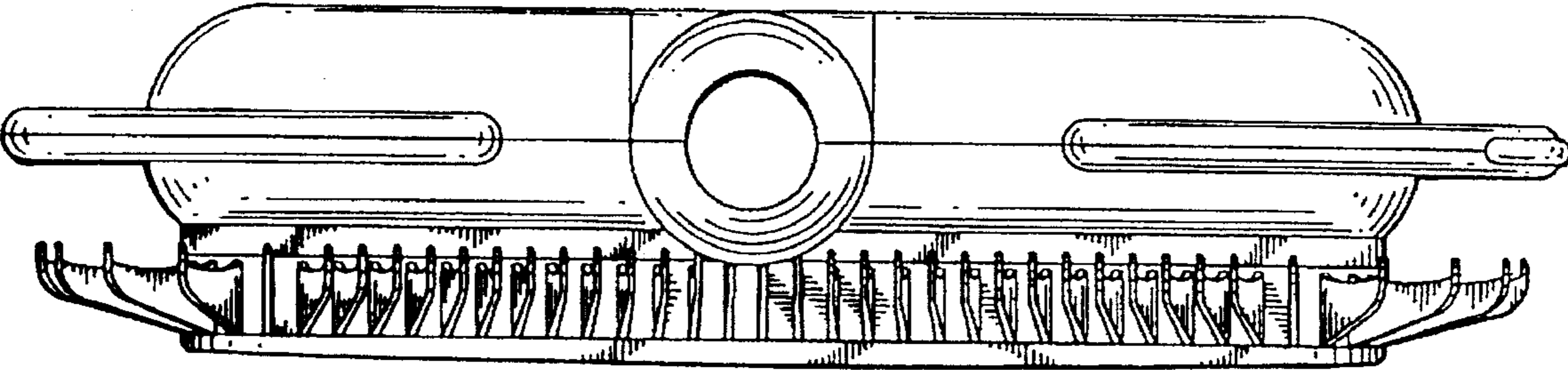


Fig. 4

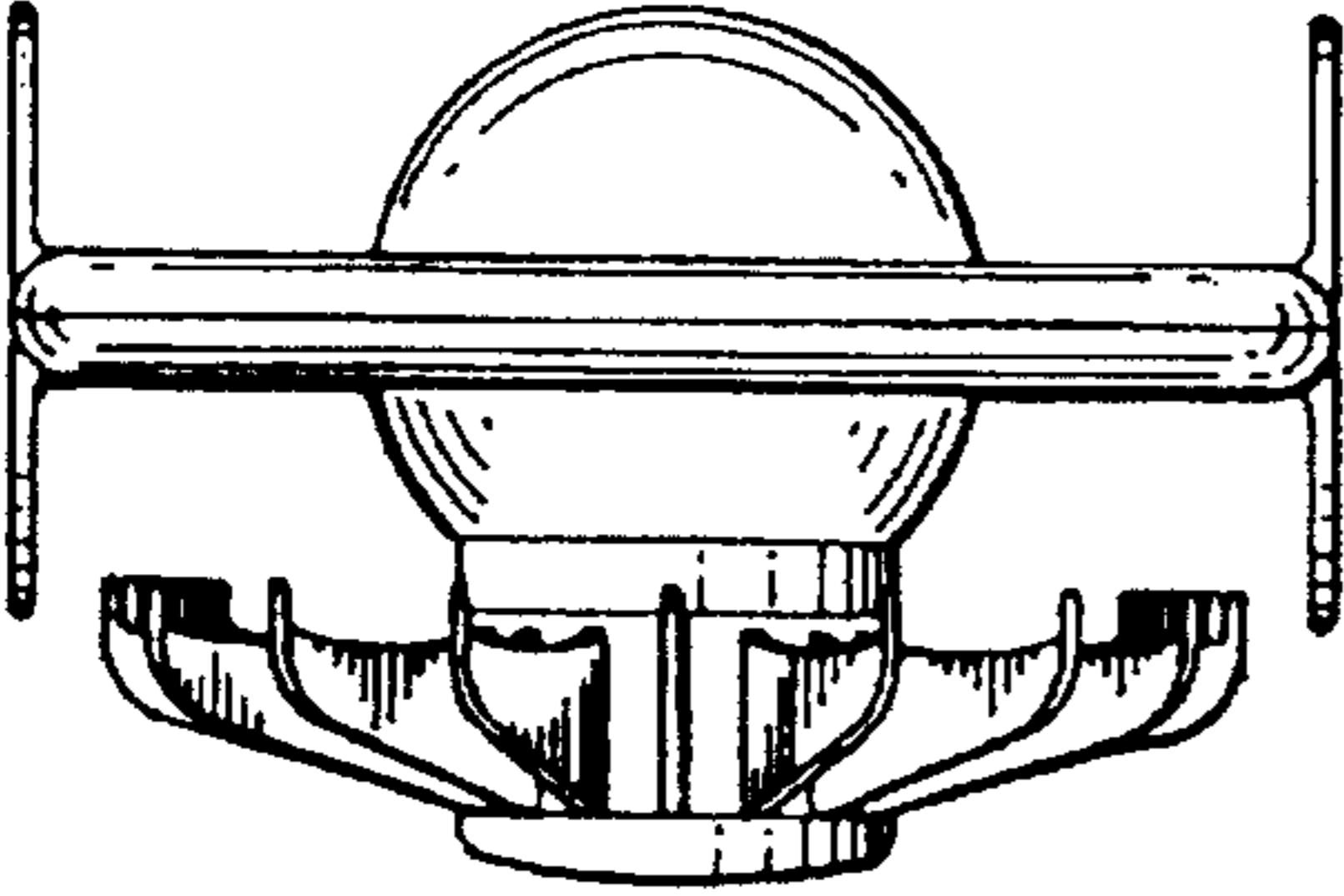


Fig. 5

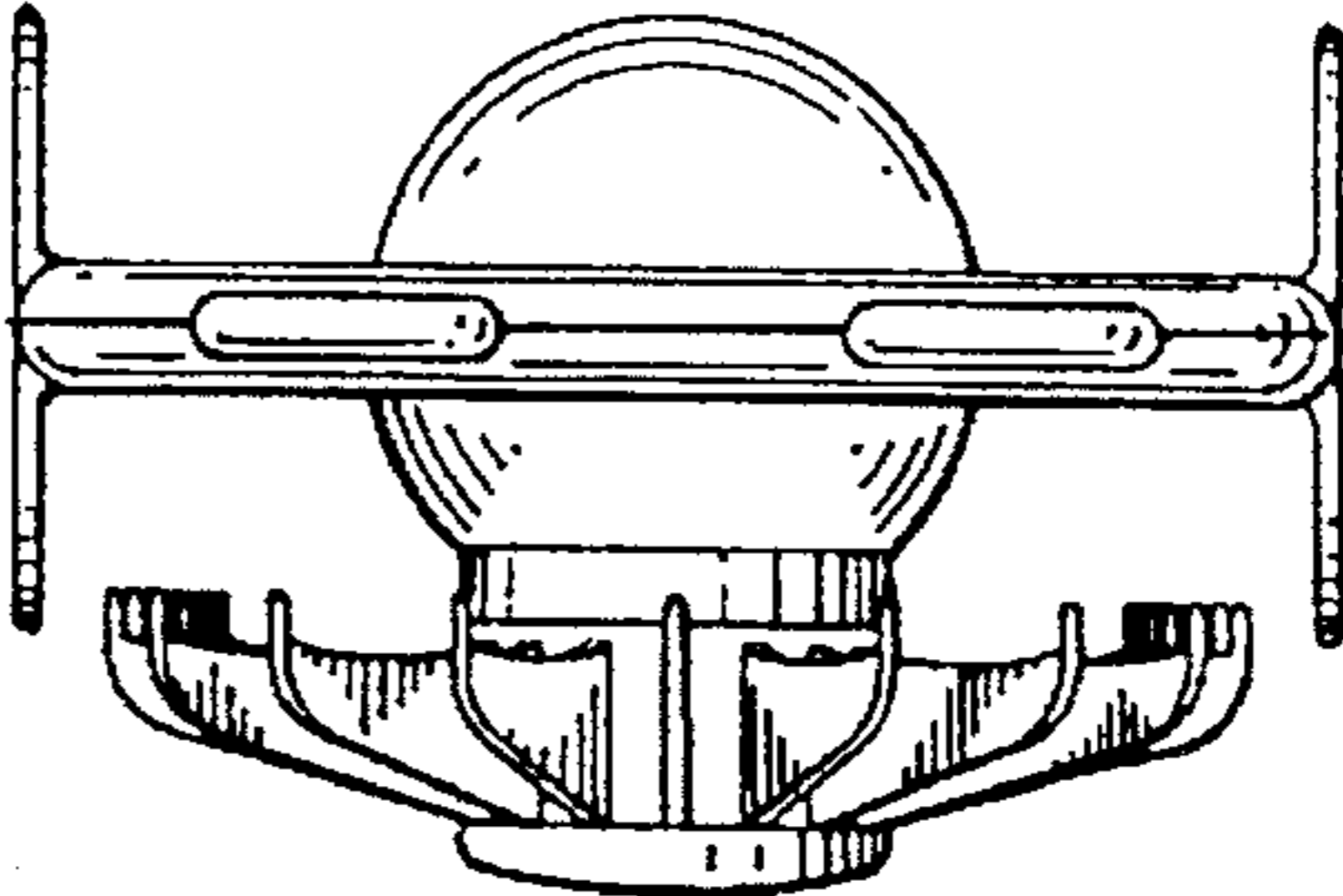


Fig. 6

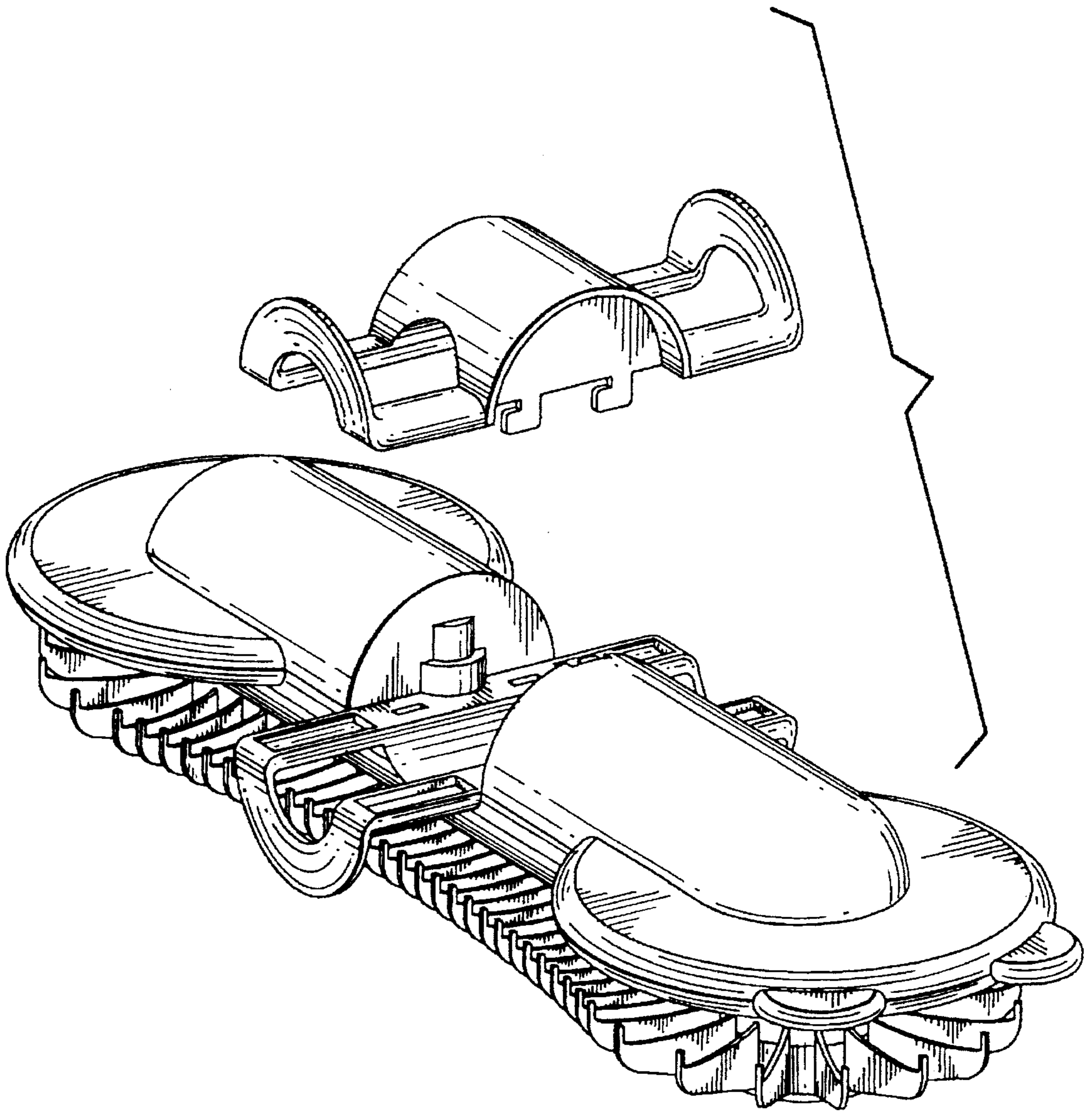


Fig. 7