



US00D383314S

United States Patent [19]
Morgan

[11] **Patent Number: Des. 383,314**

[45] **Date of Patent: **Sep. 9, 1997**

[54] **PICTURE FRAME**

[75] **Inventor: David L. Morgan, London, United Kingdom**

[73] **Assignee: Grants of Dalvey Limited, Ross-Shire, Scotland**

[**] **Term: 14 Years**

[21] **Appl. No.: 47,351**

[22] **Filed: Dec. 1, 1995**

[30] **Foreign Application Priority Data**

Jun. 6, 1995 [GB] United Kingdom 2047990

[51] **LOC (6) Cl. 06-07**

[52] **U.S. Cl. D6/309; D6/300**

[58] **Field of Search D6/300-302, 309-314; 40/700, 722, 735, 745, 780, 790, 798, 799; D28/64.6, 78, 82; D11/79-84**

[56] **References Cited**

U.S. PATENT DOCUMENTS

D. 63,505	12/1923	Slater	D28/82
D. 137,032	1/1944	Sertz	D28/82
D. 137,884	5/1944	Yellin	D28/82
D. 337,892	8/1993	Thieblot	D6/309
4,555,084	11/1985	Anderson et al.	248/460
4,819,354	4/1989	Papov	40/154

FOREIGN PATENT DOCUMENTS

2639204	7/1990	France .	
2124999	2/1984	United Kingdom 40/152

Primary Examiner—Janice E. Seeger
Attorney, Agent, or Firm—Dann, Dorfman, Herrell and Skillman; Henry H. Skillman

[57] **CLAIM**

The ornamental design for a picture frame, as shown and described.

DESCRIPTION

FIG. 1 is a front view of a picture frame showing the design and in a closed condition with a leg retracted;

FIG. 2 is a view thereof from one side and in the closed condition with its leg retracted;

FIG. 3 is a rear view thereof in the closed condition with its leg retracted;

FIG. 4 is a view thereof of the other side in the closed condition with its leg retracted;

FIG. 5 is a front view thereof in its opened position with its leg extended;

FIG. 6 is a rear view thereof in its opened position with its leg extended;

FIG. 7 is a sectional view taken on the line 7-7 in FIG. 6 with its leg extended;

FIG. 8 is a sectional view similar to FIG. 7 with its leg retracted; and,

FIG. 9 is an exploded view of the parts making up the picture frame.

1 Claim, 5 Drawing Sheets

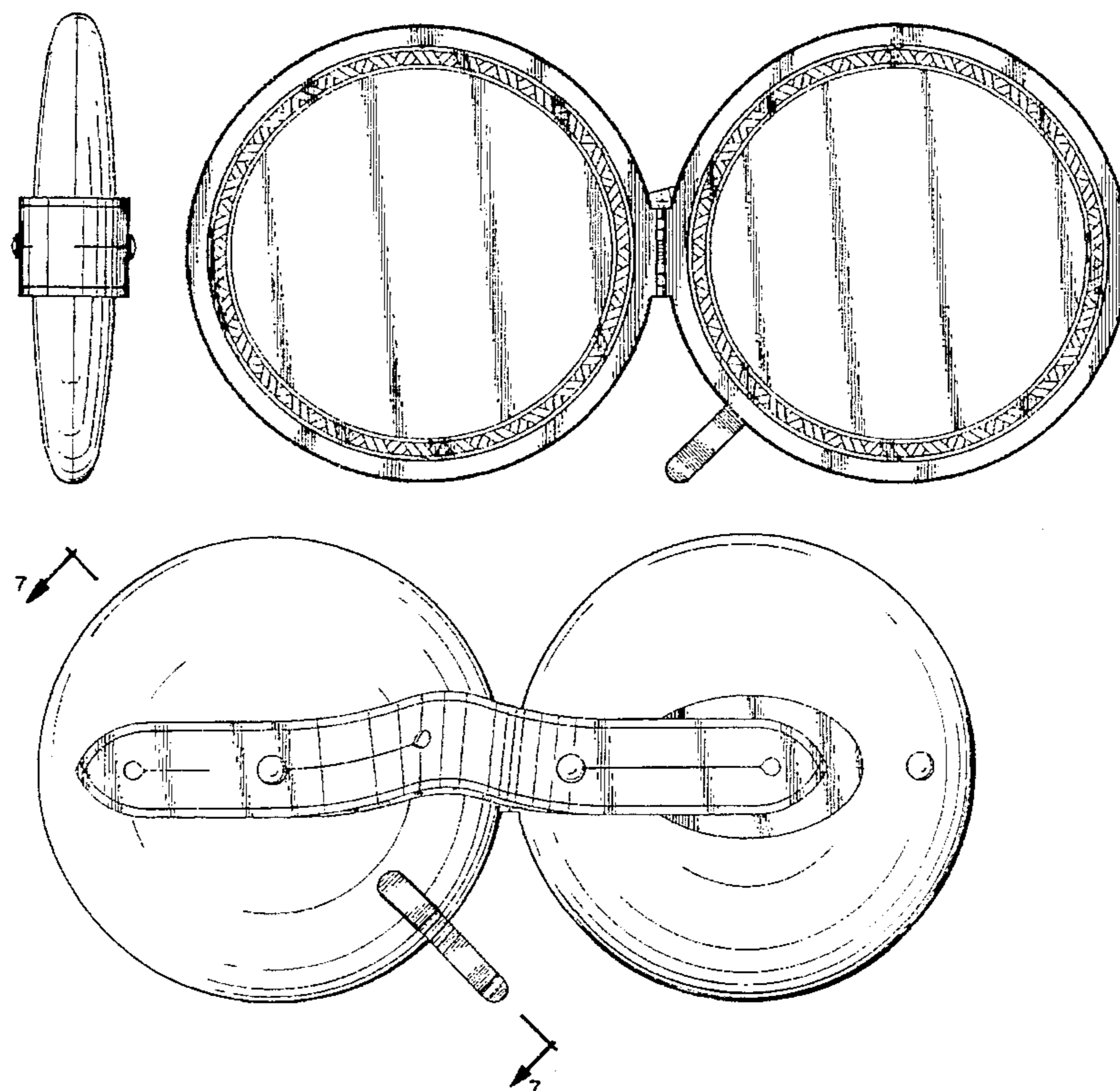


FIG 1

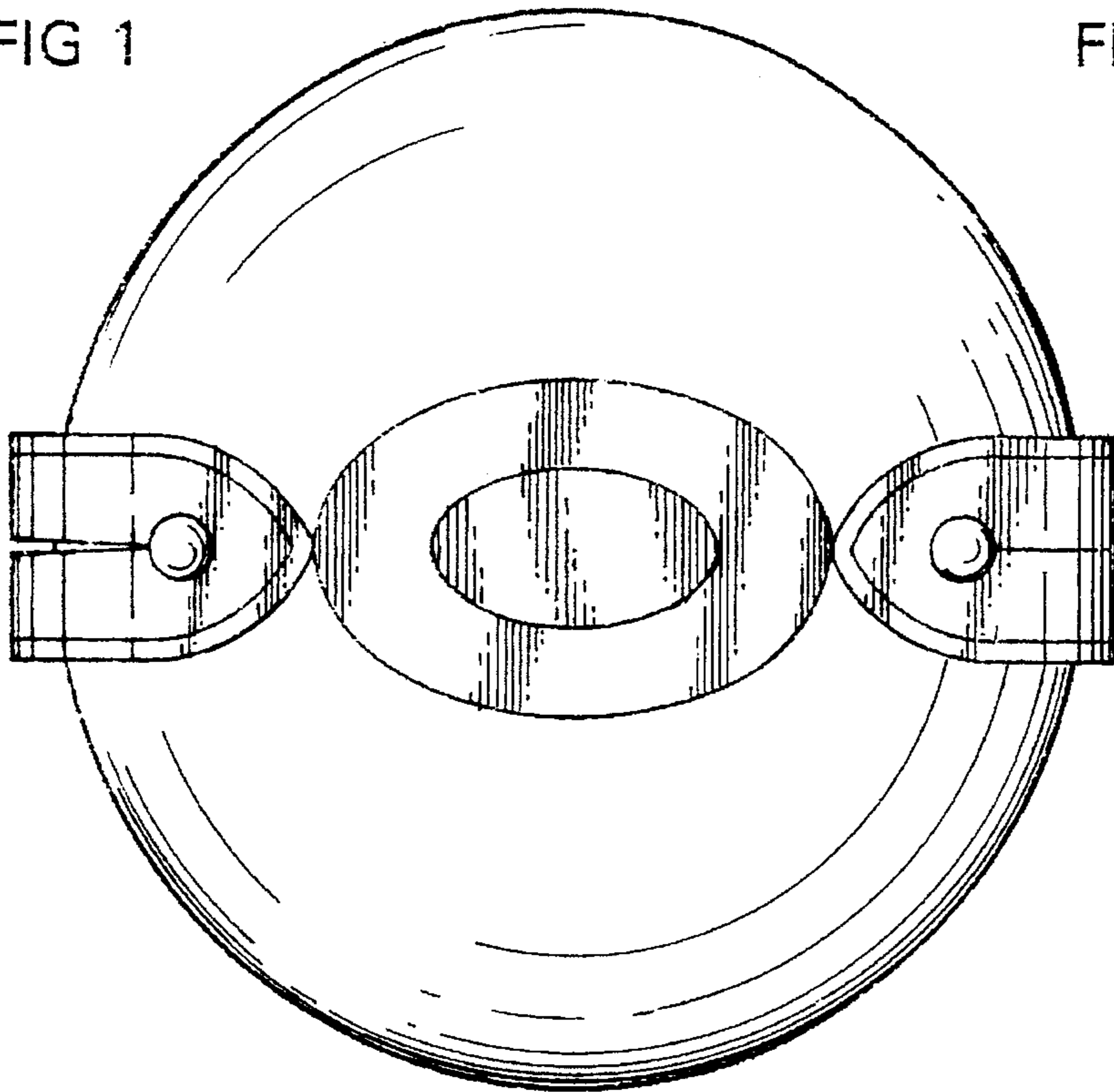


FIG 2

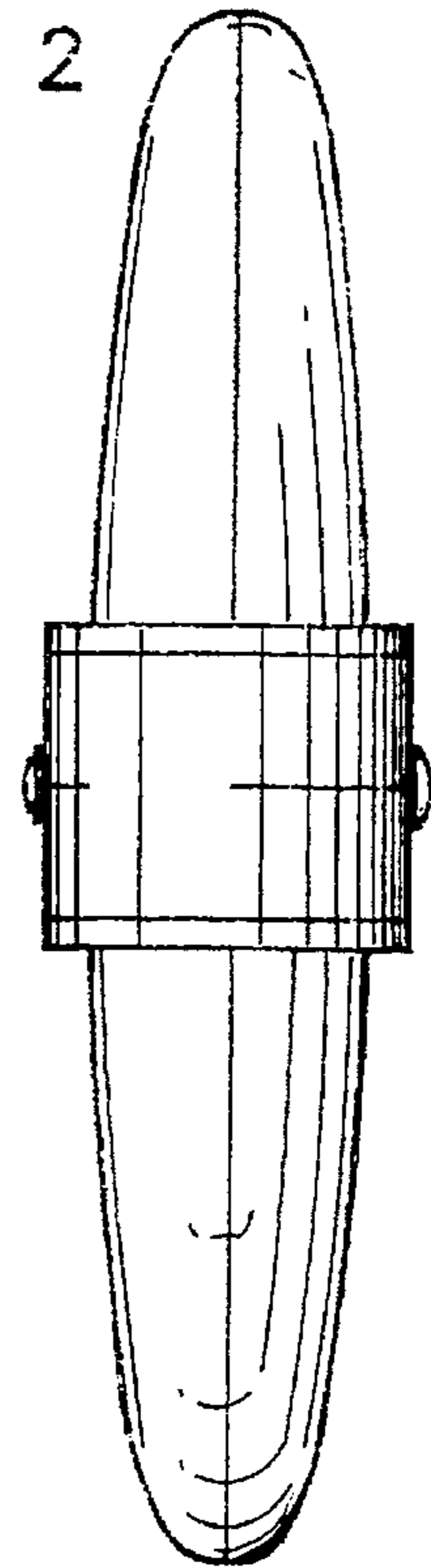


FIG 3

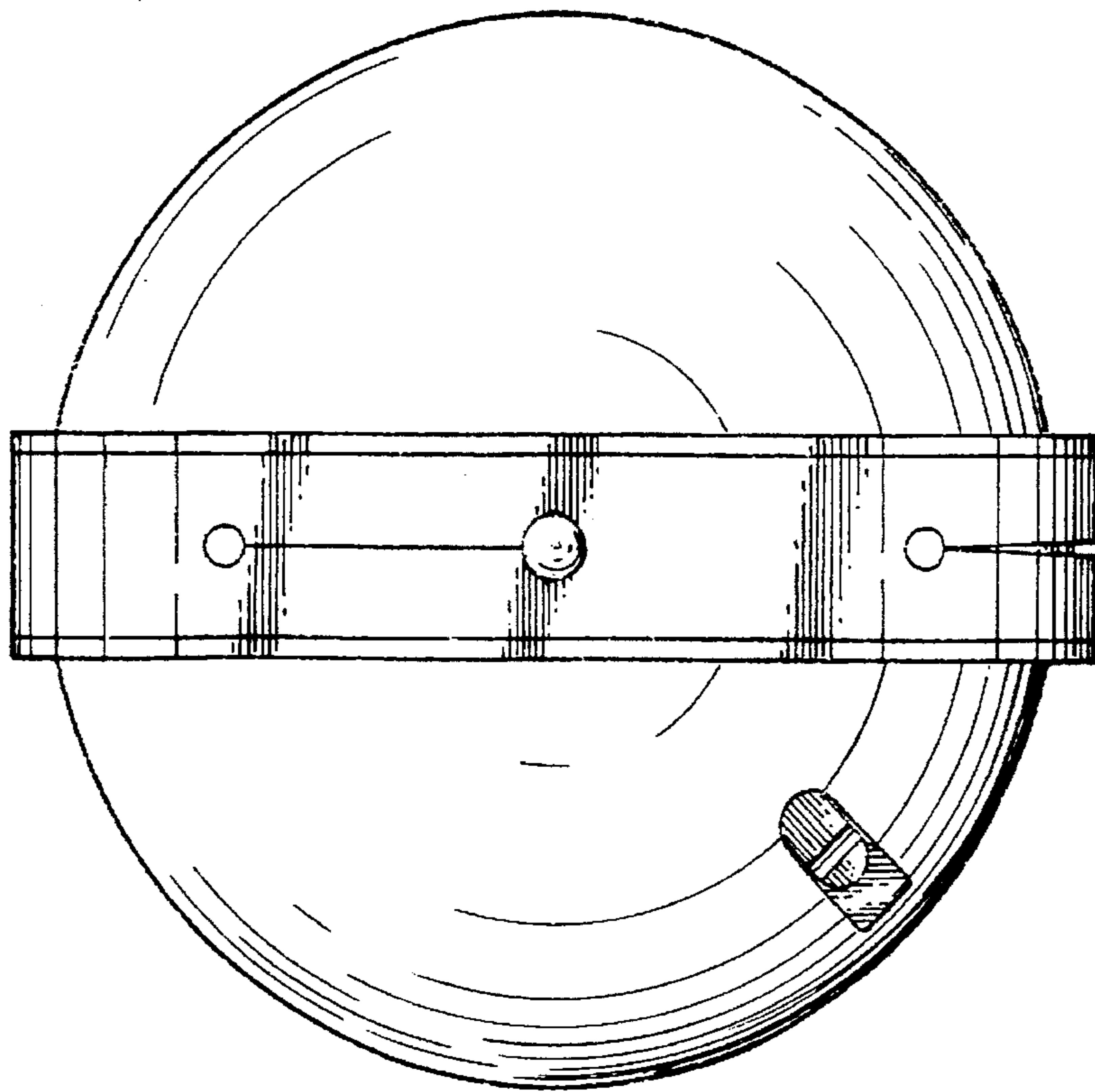


FIG 4

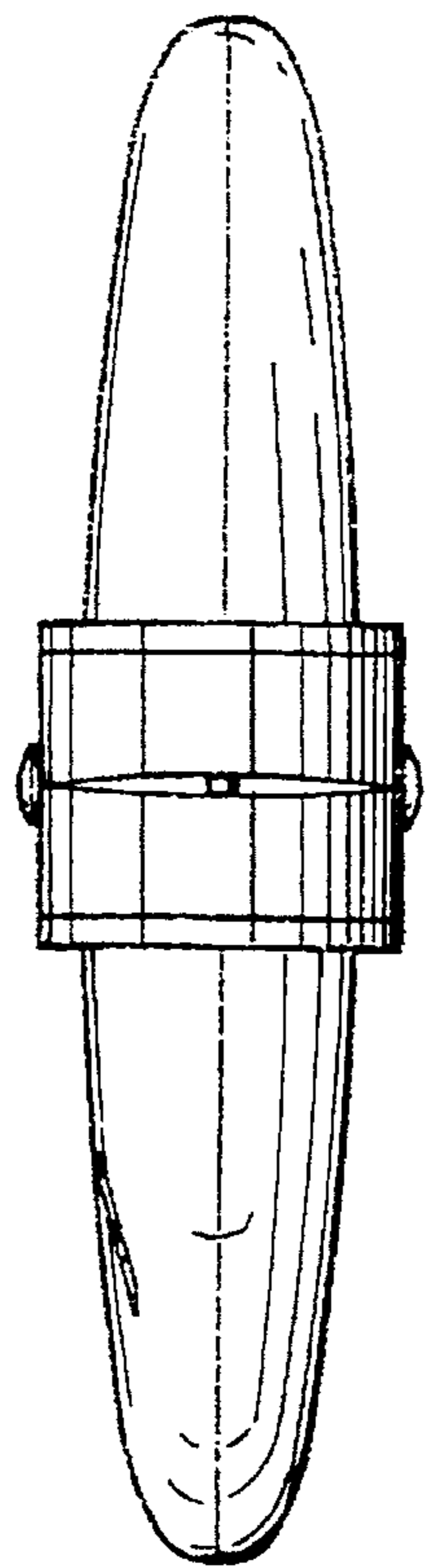


FIG 5

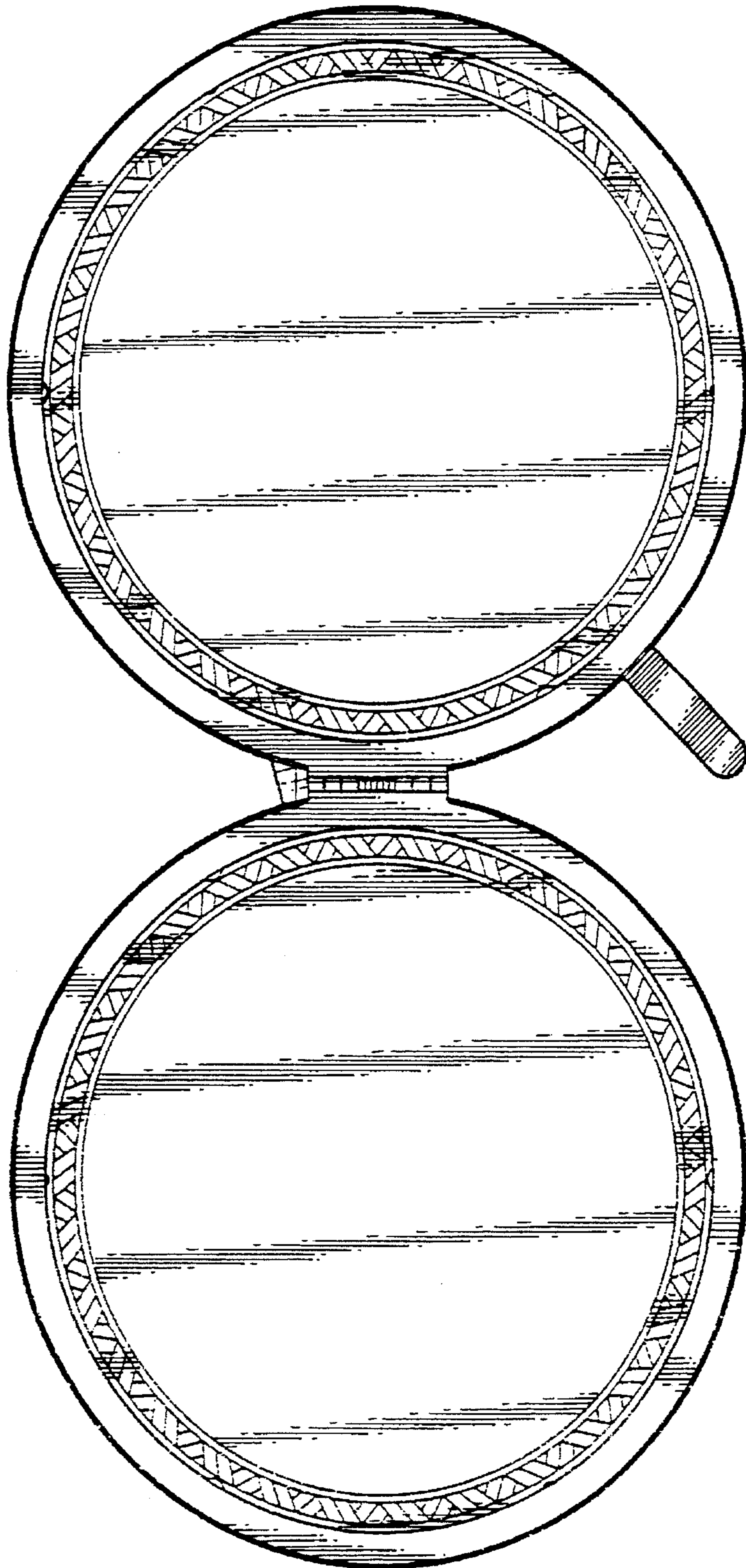
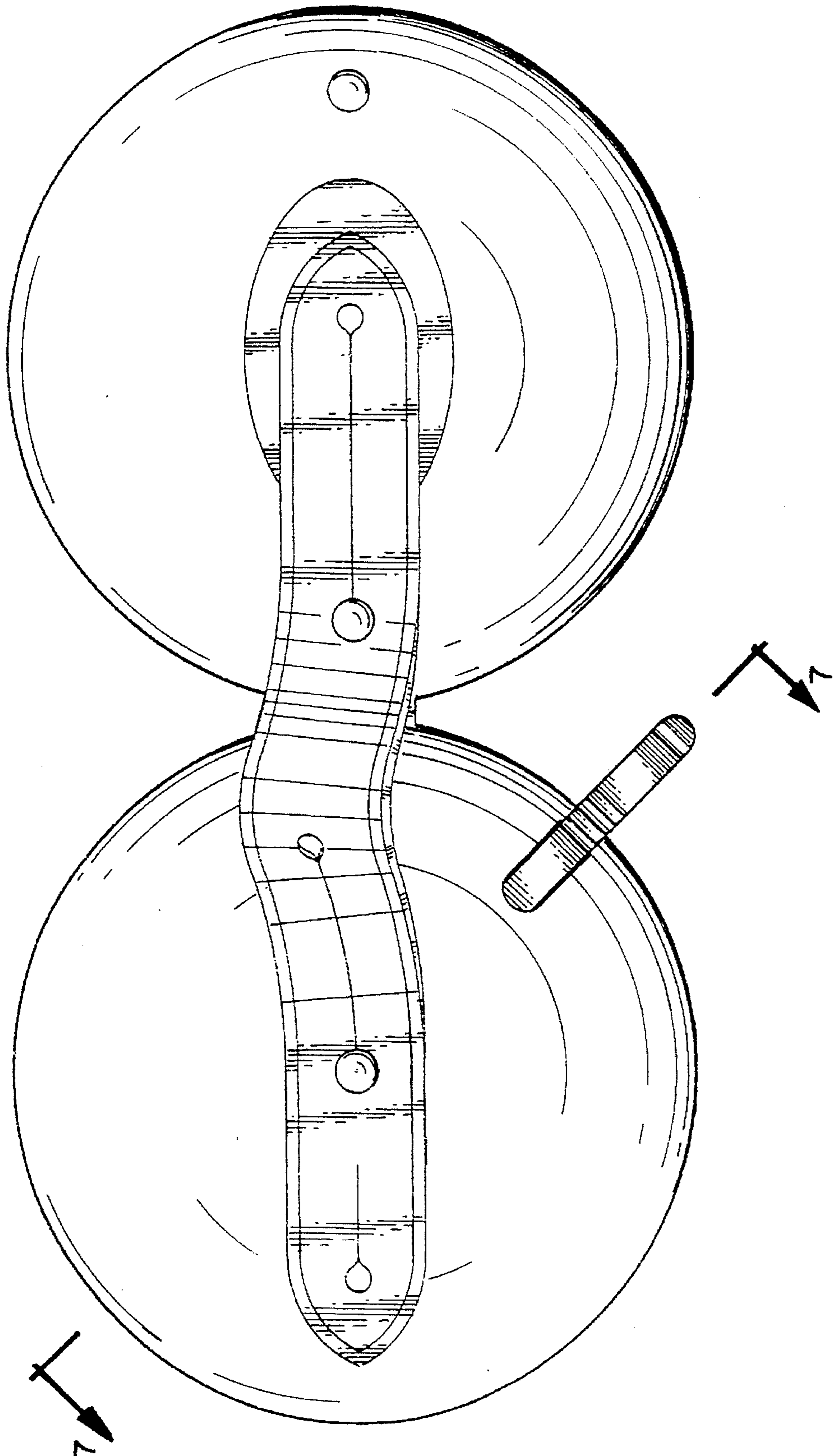


FIG 6



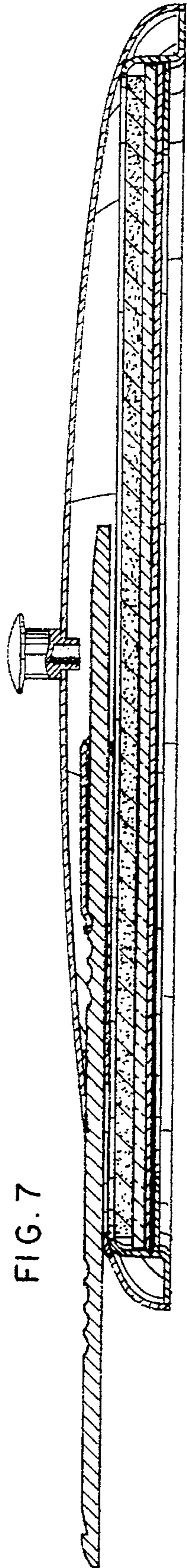
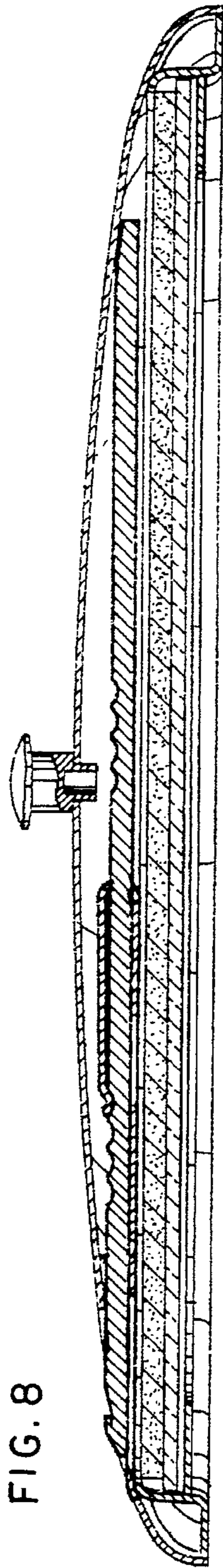


FIG. 9

