



US00D383306S

United States Patent [19]
Pennoyer

[11] **Patent Number: Des. 383,306**

[45] **Date of Patent: **Sep. 9, 1997**

[54] **FIRST AID KIT CONTAINER**

5,353,946 10/1994 Behrend 220/339
5,515,974 5/1996 Higson 206/570

[76] **Inventor: Raymond P. Pennoyer, 97 Sturbridge La., Trumbull, Conn. 06610**

FOREIGN PATENT DOCUMENTS

[**] **Term: 14 Years**

2246762 2/1992 United Kingdom 206/570

[21] **Appl. No.: 49,220**

Primary Examiner—Philip S. Hyder
Attorney, Agent, or Firm—Perman & Green

[22] **Filed: Jan. 22, 1996**

[57] **CLAIM**

[51] **LOC (6) Cl. 03-01**

The ornamental design for a first aid kit container, as shown and described.

[52] **U.S. Cl. D3/294**

[58] **Field of Search** D3/273, 274, 276,
D3/281, 282, 283, 294, 905; D9/420, 424,
425; 206/570, 223; 220/334, 337, 339,
376; D7/709, 710

DESCRIPTION

FIG. 1 is a perspective view of a top, first and side of a first aid kit container or similar article showing my new design; FIG. 2 is a front elevational view thereof; FIG. 3 is a top plan view thereof; FIG. 4 is a bottom plan view thereof; FIG. 5 is a side elevational view thereof; the opposite side being a mirror image; FIG. 6 is a rear elevational view thereof; and, FIG. 7 is a perspective view as in FIG. 1 with the top open.

[56] **References Cited**

U.S. PATENT DOCUMENTS

D. 353,748	12/1994	Ferris et al.	D3/276
D. 363,669	10/1995	Pennoyer, Jr.	D9/423
4,168,024	9/1979	D'Alo 206/570	
4,971,220	11/1990	Kaufman et al.	220/339
5,163,578	11/1992	Eitreim et al.	206/545

1 Claim, 4 Drawing Sheets

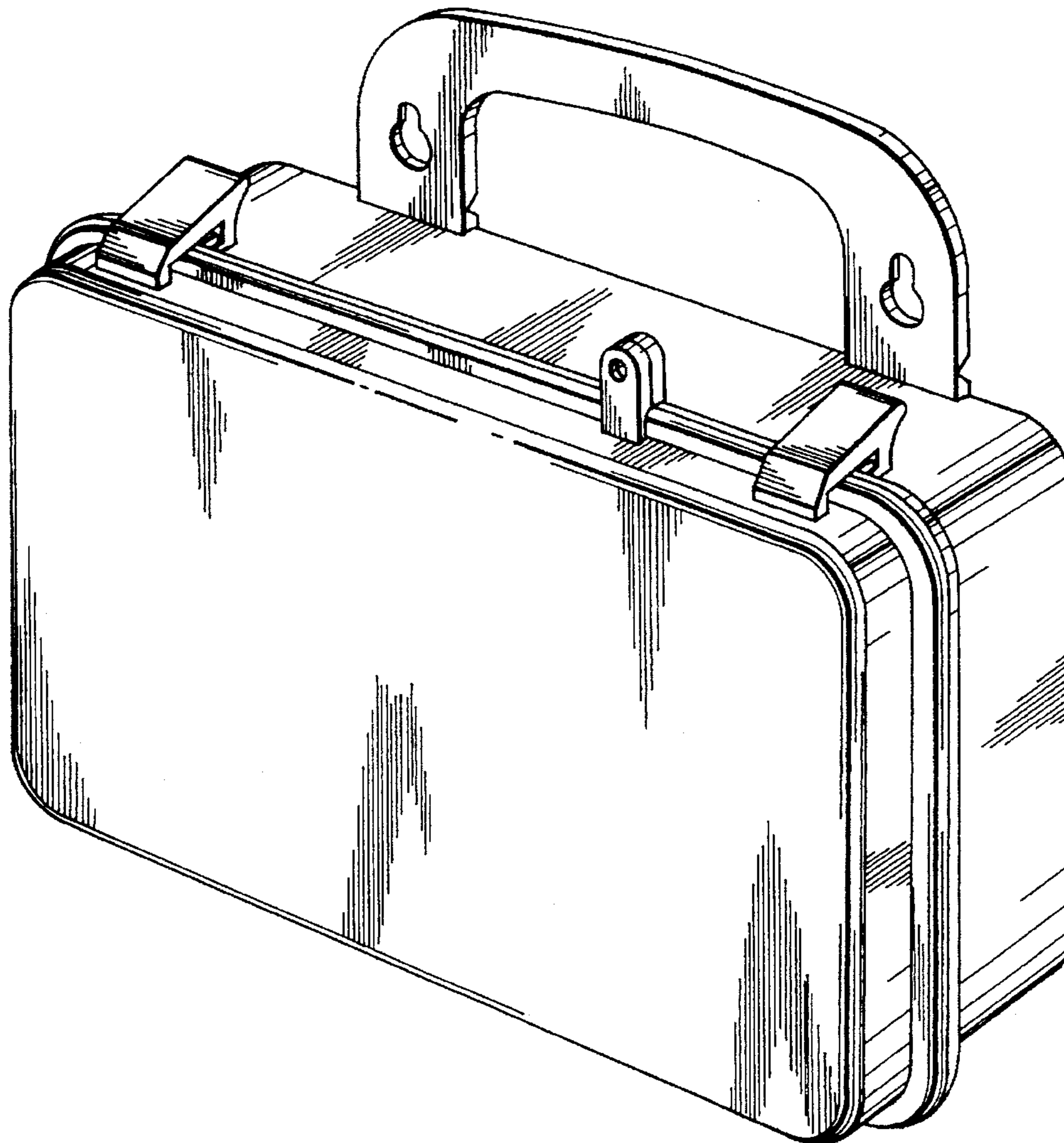


FIG. 1.

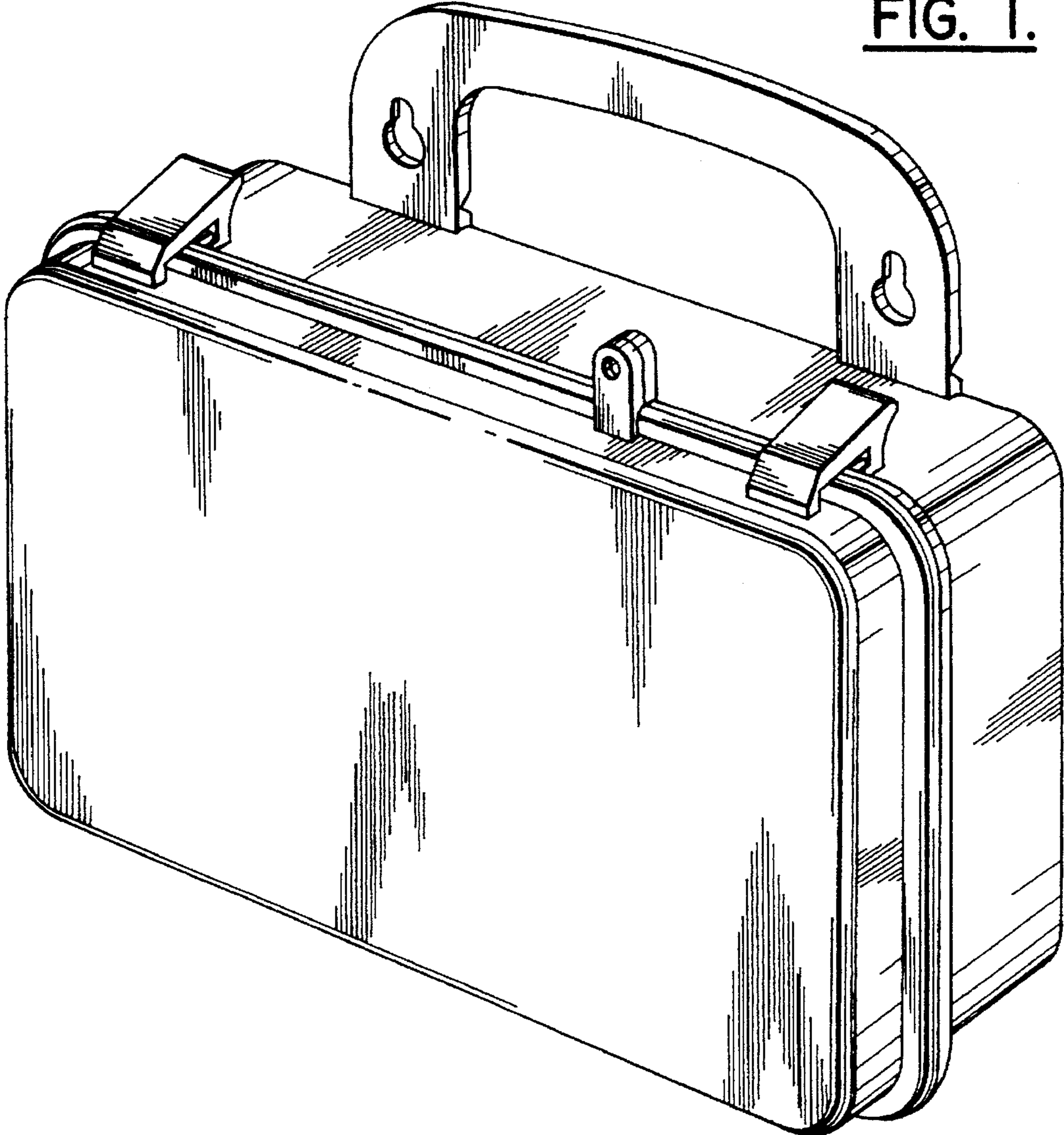


FIG. 2.

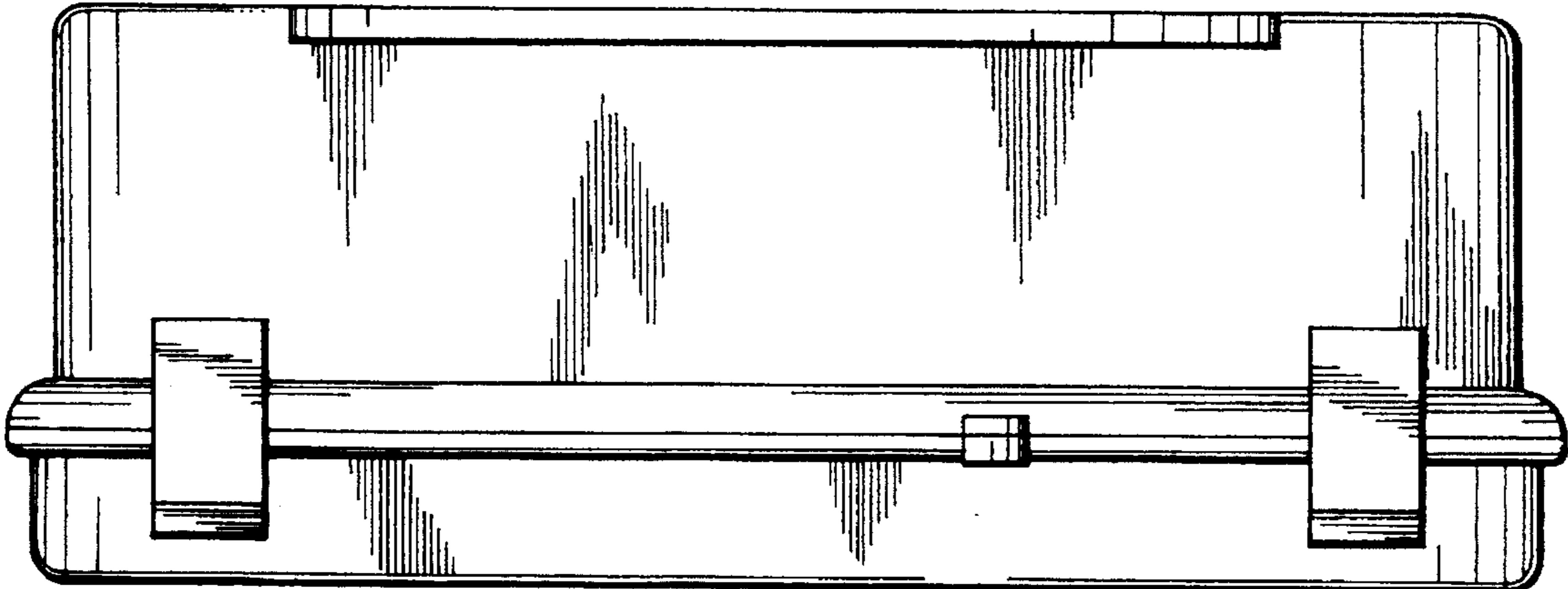


FIG. 5.

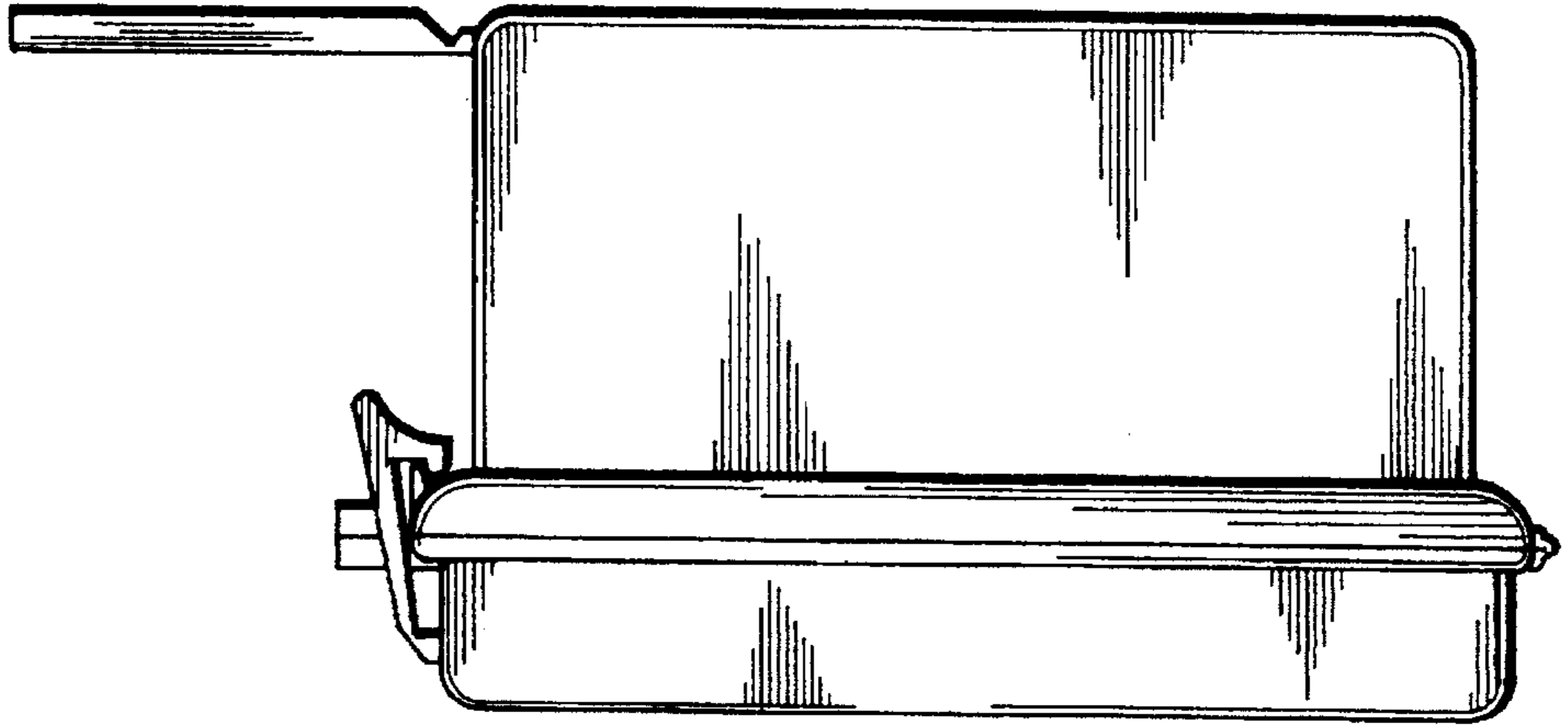


FIG. 3.

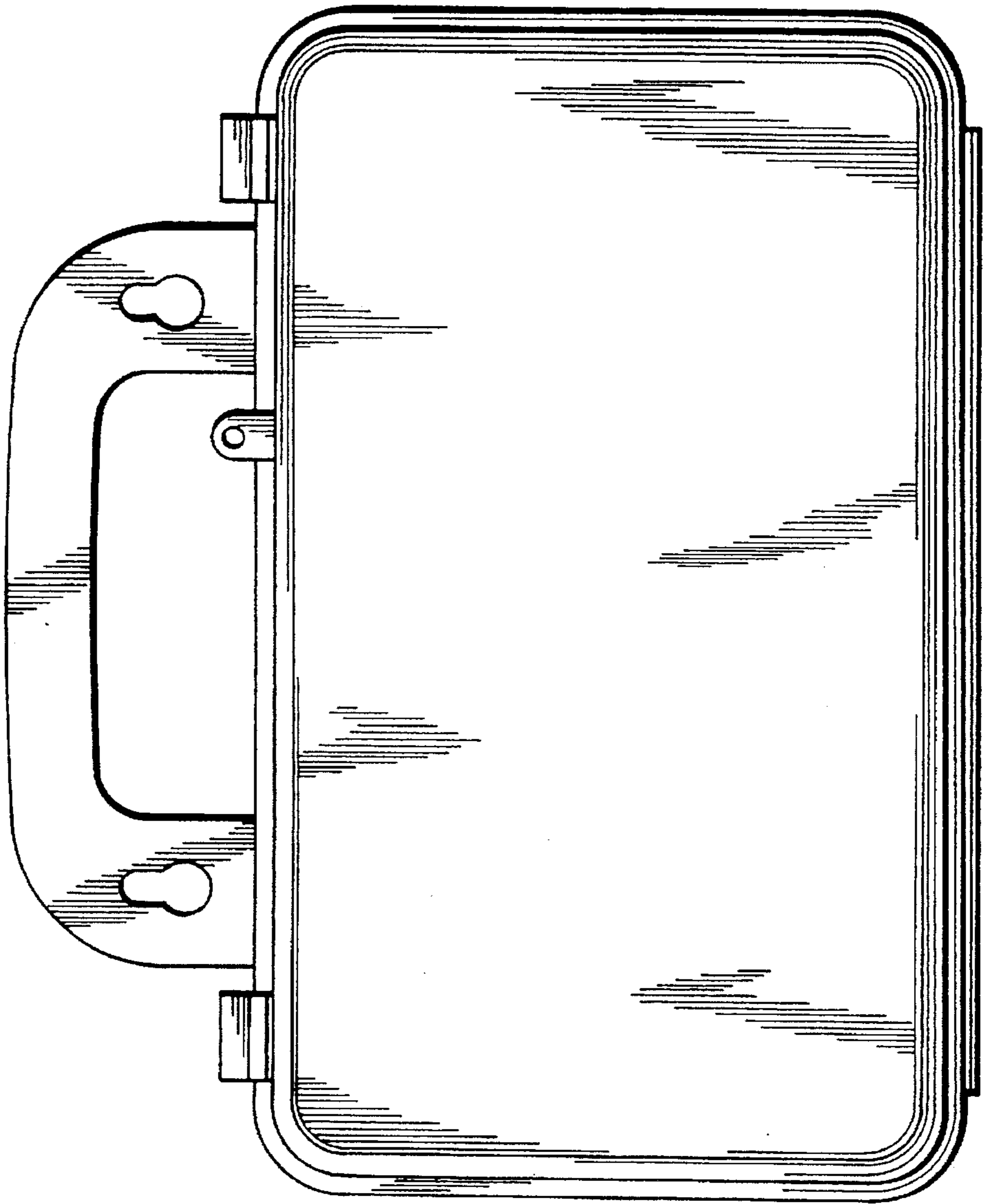


FIG. 4.

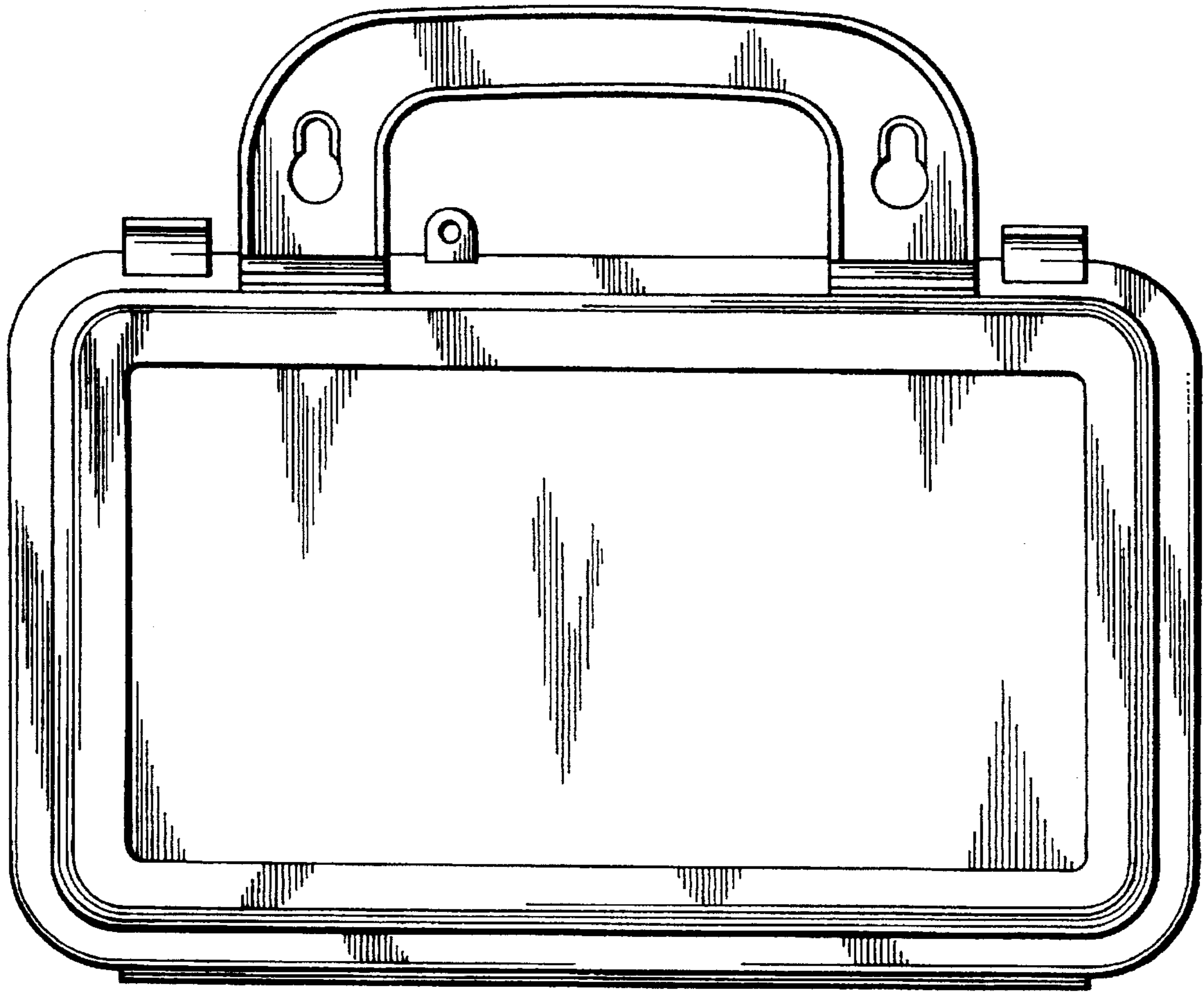


FIG. 6.

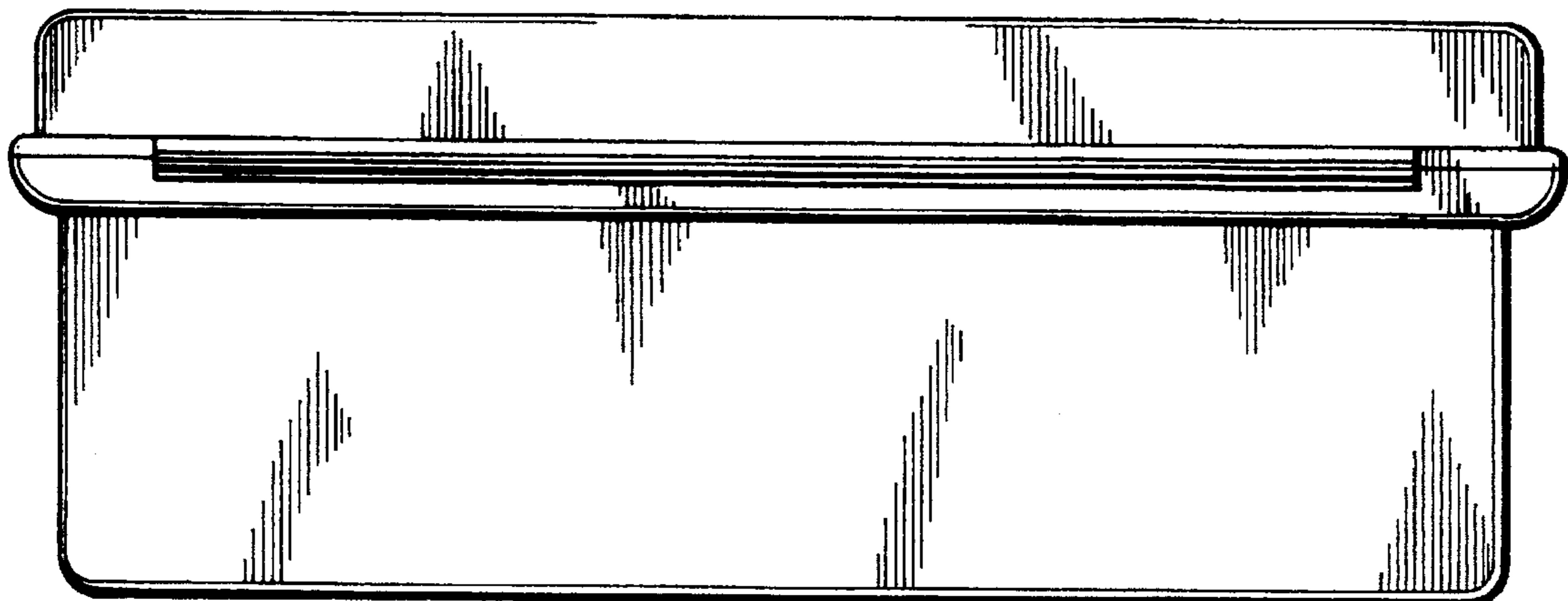
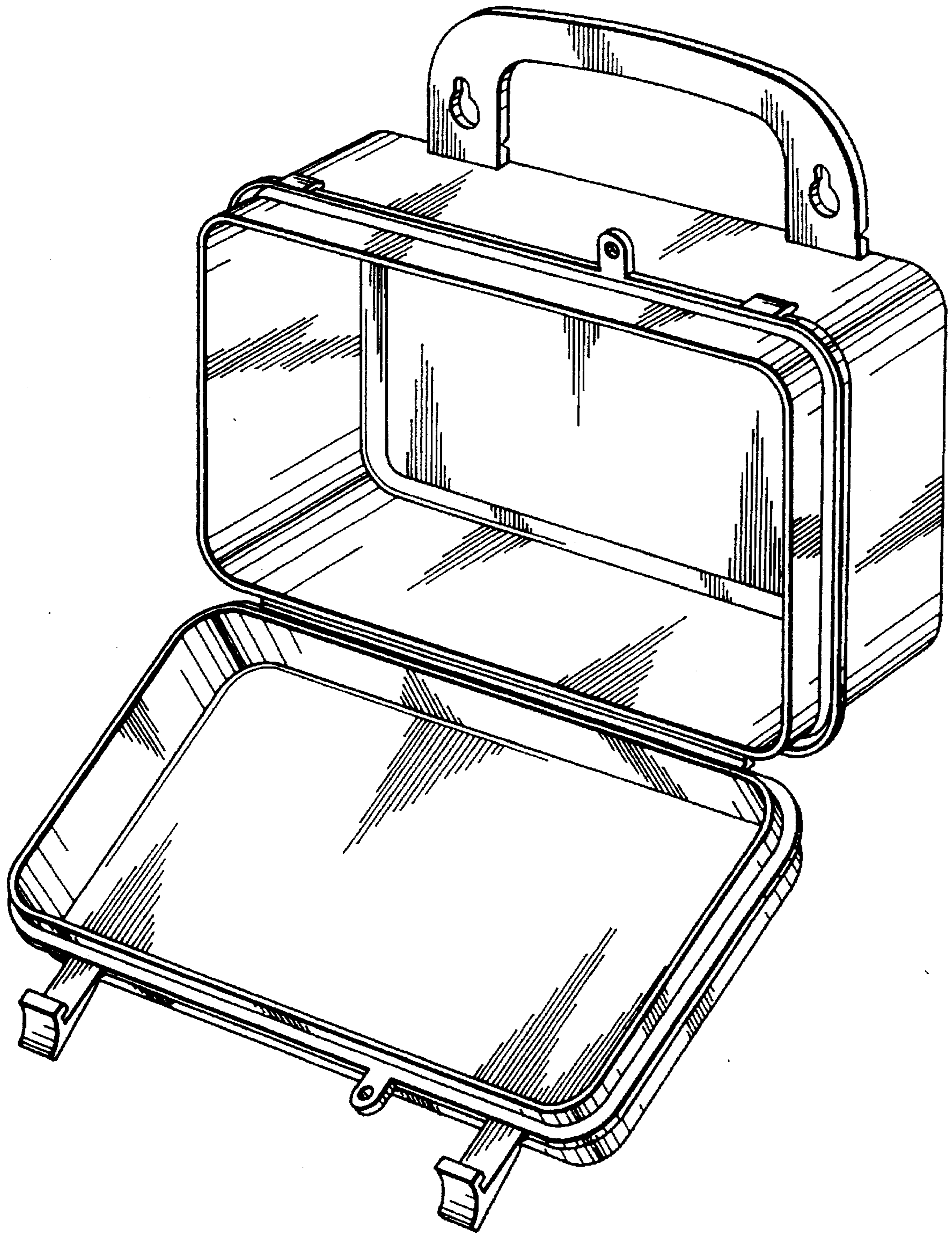


FIG. 7.





US00D383306B1

(12) **REEXAMINATION CERTIFICATE** (4517th)

United States Patent
Pennoyer

(10) **Number:** **US D383,306 C1**
(45) **Certificate Issued:** **Jan. 8, 2002**

(54) **FIRST AID KIT CONTAINER**
(75) **Inventor:** **Raymond P. Pennoyer**, 97 Sturbridge La., Trumbull, CT (US) 06610
(73) **Assignee:** **Raymond P. Pennoyer**, Trumbull, CT (US)

(58) **Field of Search** D3/273, 274, 276, D3/281, 282, 283, 294, 905, 420, 424, 425; 206/570, 223; 220/334, 337, 339, 376; D7/709, 710

(56) **References Cited**
U.S. PATENT DOCUMENTS

D289,262 S * 4/1987 Goetz et al. D9/424

OTHER PUBLICATIONS

Durham Manufacturing Company Brochure, Model 10 unit first aid container, 1994.*
"First Aid Kits and Cabinets" brochure. Copyright 1994 by The Durham Manufacturing Company, Durham, Connecticut, pp. 6-7.

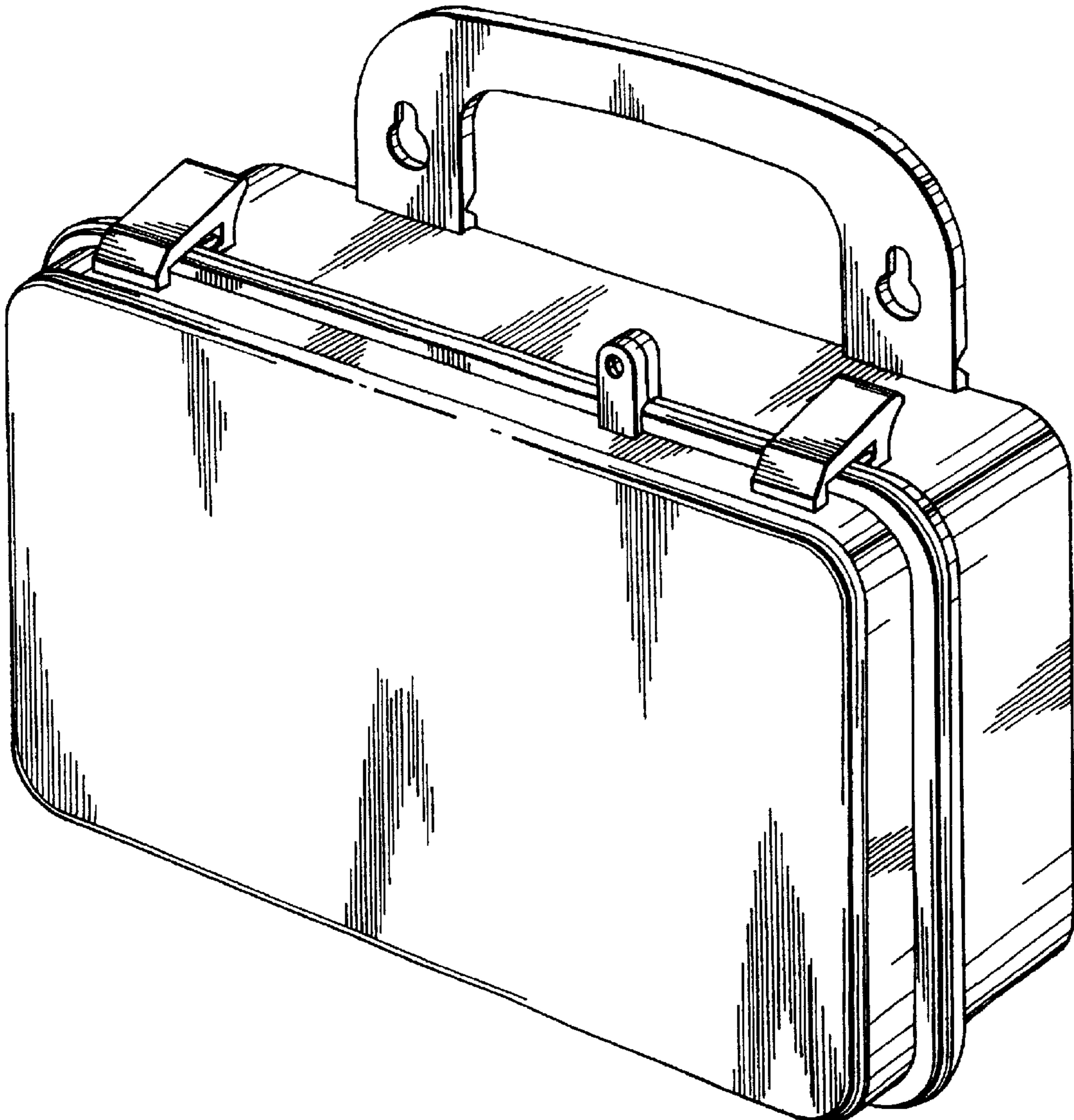
* cited by examiner

Primary Examiner—Philip S Hyder

Reexamination Request:
No. 90/005,422, Jul. 8, 1999

Reexamination Certificate for:
Patent No.: **Des. 383,306**
Issued: **Sep. 9, 1997**
Appl. No.: **29/049,220**
Filed: **Jan. 22, 1996**

(51) **LOC (7) Cl.** **03-01**
(52) **U.S. Cl.** **D3/294**



1
REEXAMINATION CERTIFICATE
ISSUED UNDER 35 U.S.C. 307
THE PATENT IS HEREBY
AMENDED AS INDICATED
BELOW.

2
AS A RESULT OF REEXAMINATION, IT HAS BEEN
DETERMINED THAT:

5 The single design claim is cancelled.

* * * * *