



US00D383303S

United States Patent [19]
Murphy

[11] **Patent Number: Des. 383,303**

[45] **Date of Patent: **Sep. 9, 1997**

[54] **SCHOOL BOX**

4,591,056 5/1986 Groch 206/224 X
4,819,794 4/1989 Silverstein et al. 206/371 X

[75] **Inventor: Kent W. Murphy, Wooster, Ohio**

FOREIGN PATENT DOCUMENTS

[73] **Assignee: Berol Corporation, Brentwood, Tenn.**

28694 5/1981 European Pat. Off. 206/320

[**] **Term: 14 Years**

Primary Examiner—Louis S. Zarfes
Assistant Examiner—Monica A. Weingart
Attorney, Agent, or Firm—Foley & Lardner

[21] **Appl. No.: 47,892**

[57] **CLAIM**

[22] **Filed: Dec. 14, 1995**

The design for a school box, as shown and described.

[51] **LOC (6) Cl. 03-01**

DESCRIPTION

[52] **U.S. Cl. D3/206; D3/201; D3/282**

[58] **Field of Search** D3/201, 206, 239,
D3/242, 243, 281, 282; D9/420, 423; 190/103,
900, 901, 903; 150/100, 101, 106, 107,
112, 117; 206/38.1, 305, 320, 371; 220/224,
326

FIG. 1 is a perspective view of the front of the school box in a vertical closed position showing the bottom and right side thereof;

FIG. 2 is a front view thereof;

FIG. 3 is a right side view thereof;

FIG. 4 is a left side view thereof;

FIG. 5 is a top plan view thereof;

FIG. 6 is a rear view thereof;

FIG. 7 is a bottom plan view thereof; and,

FIG. 8 is a perspective view in an open condition.

[56] **References Cited**

U.S. PATENT DOCUMENTS

D. 294,776 3/1988 Gander et al. D3/282
D. 352,897 11/1994 Jackson .
2,683,478 7/1954 Seelig 150/117 X

1 Claim, 5 Drawing Sheets

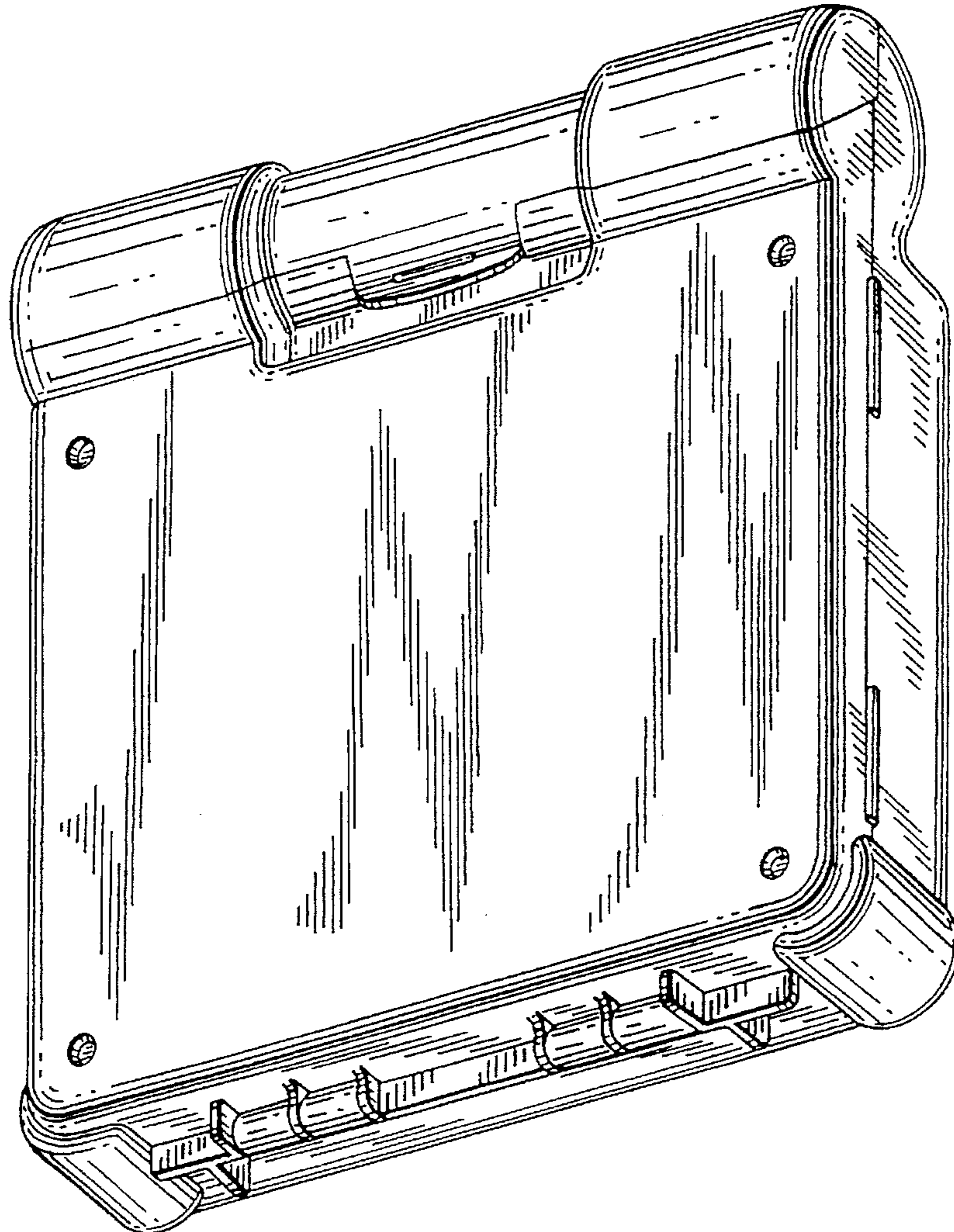
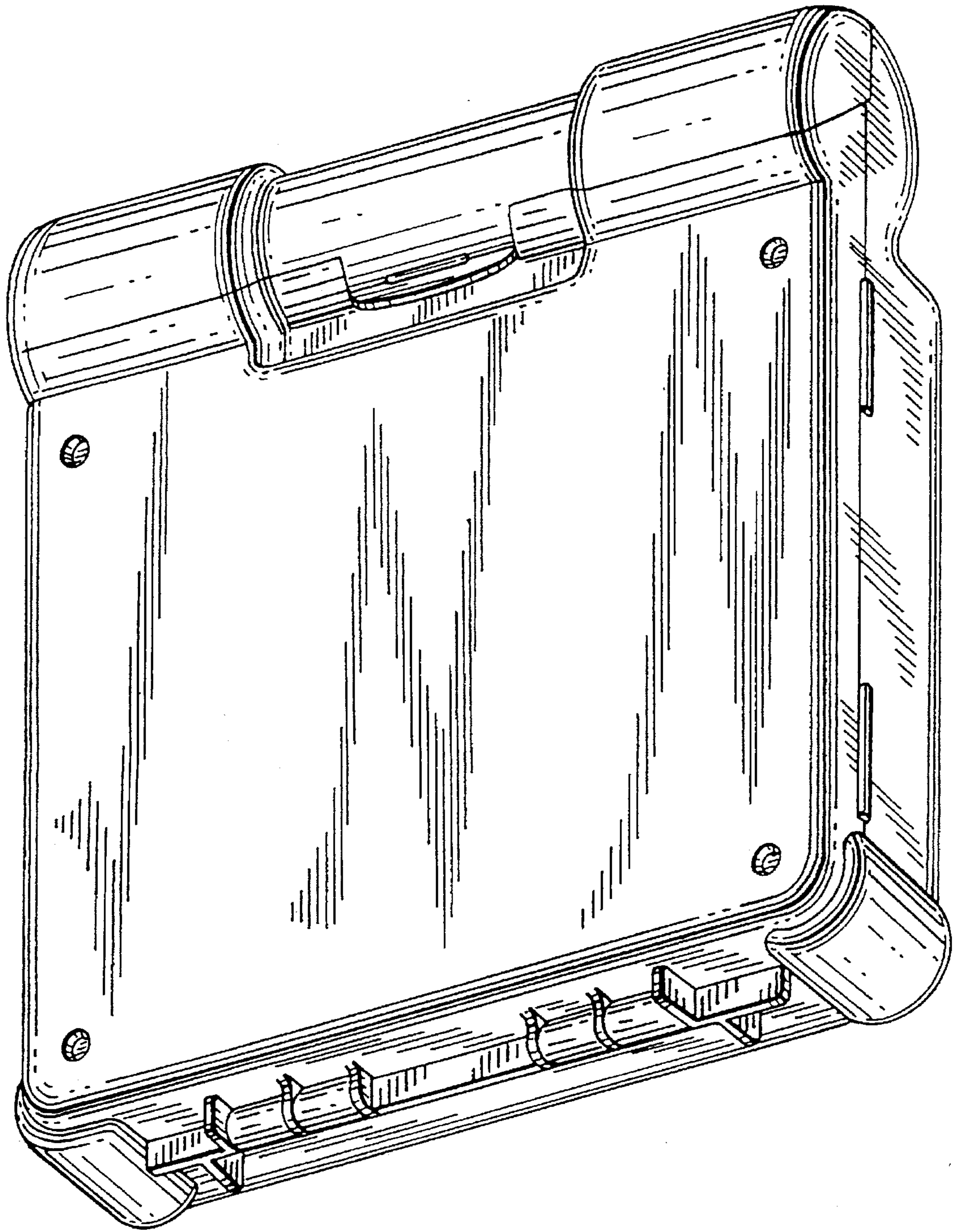


FIG. 1



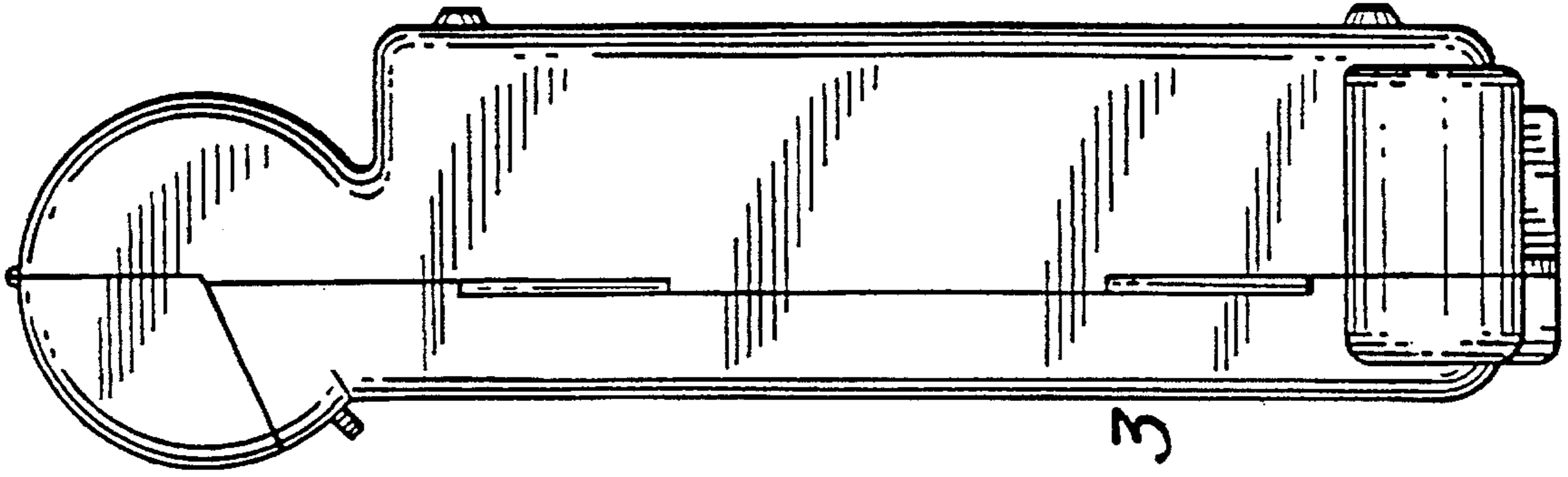
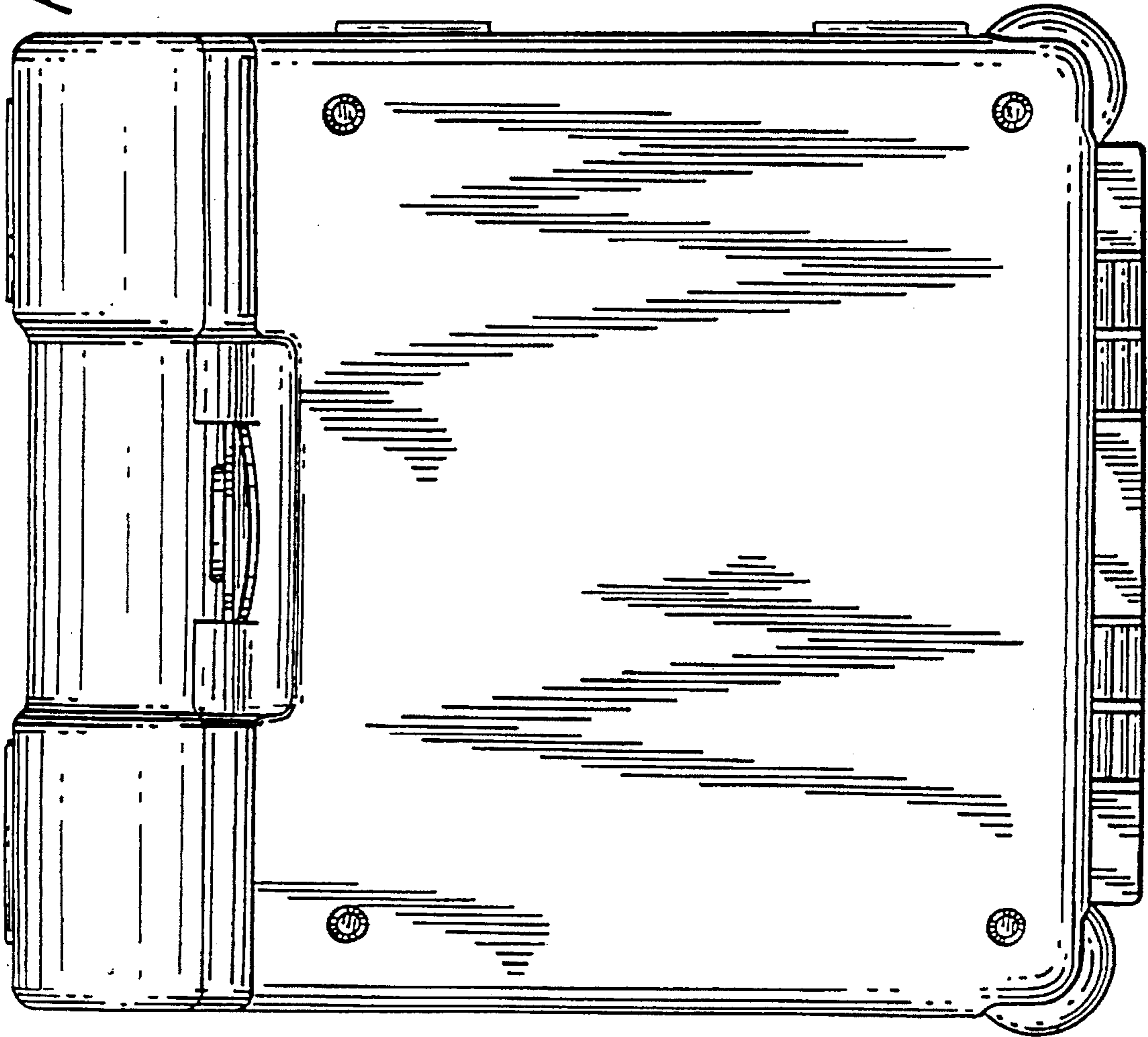


FIG. 3

FIG. 2



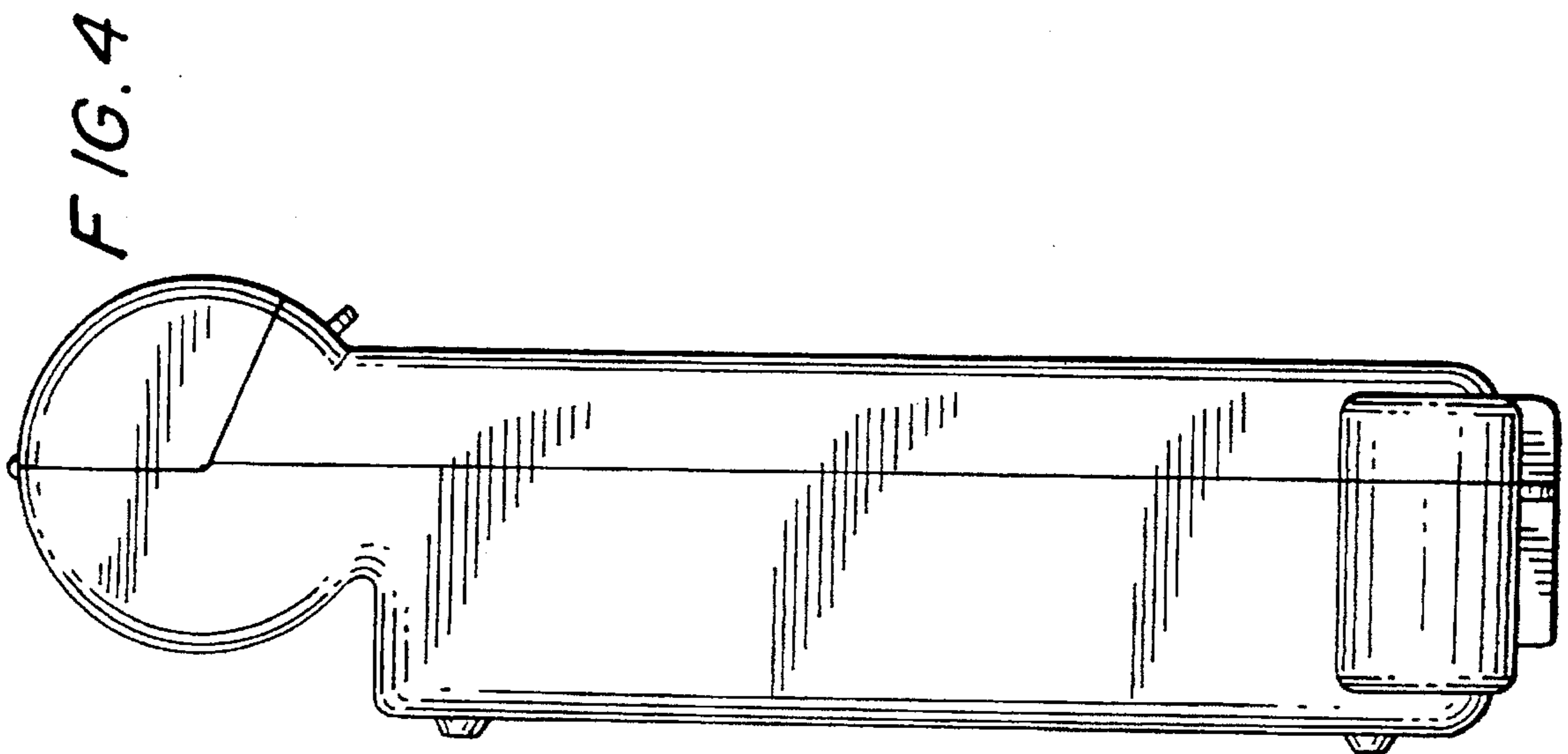
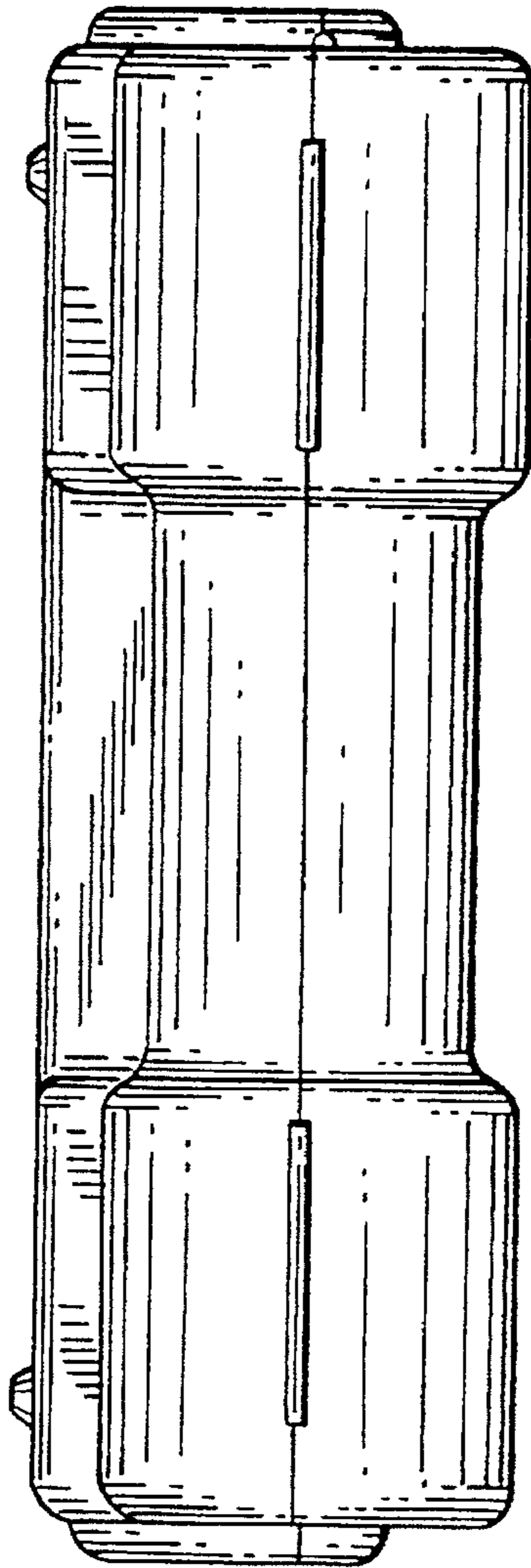


FIG. 5



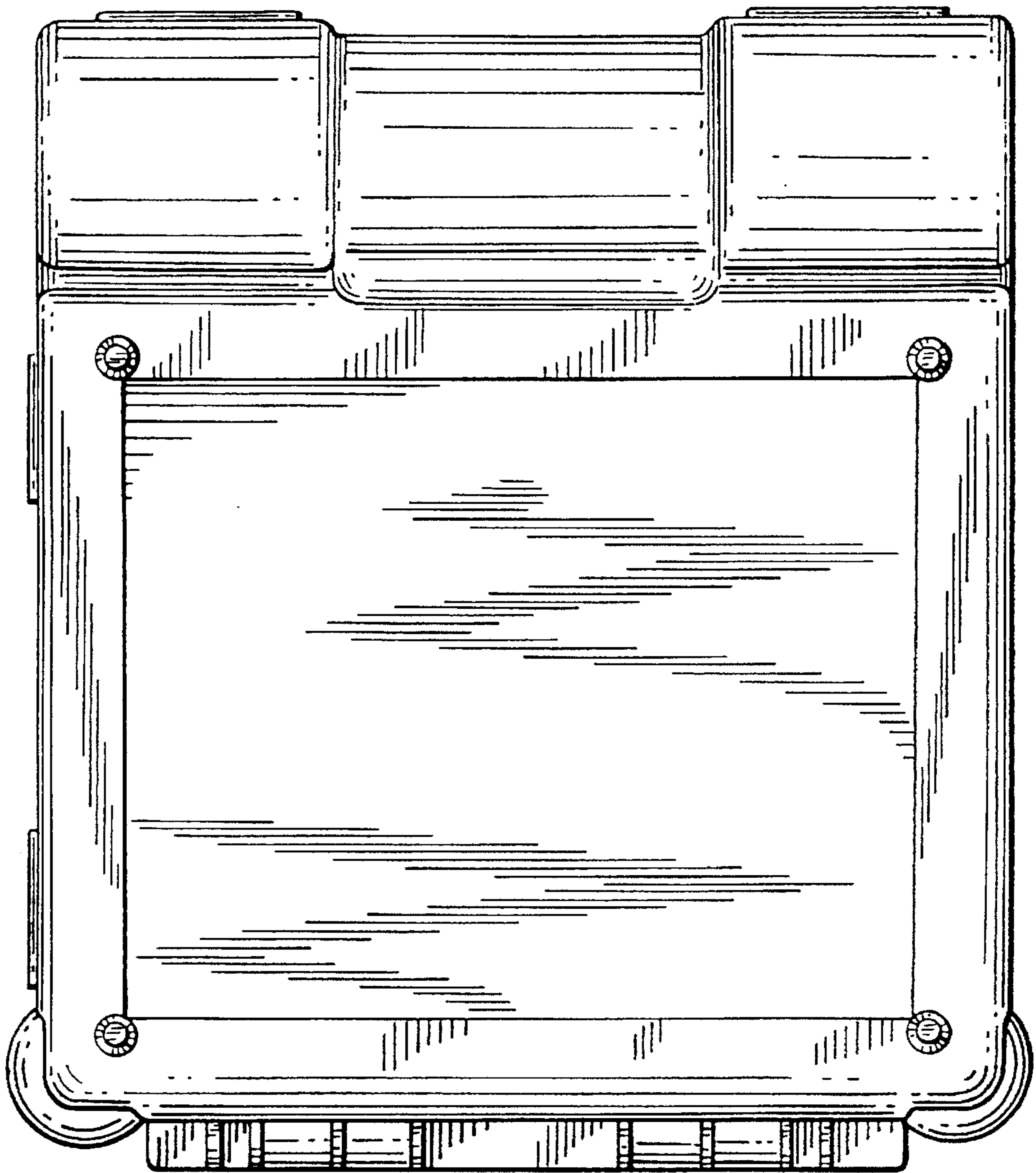
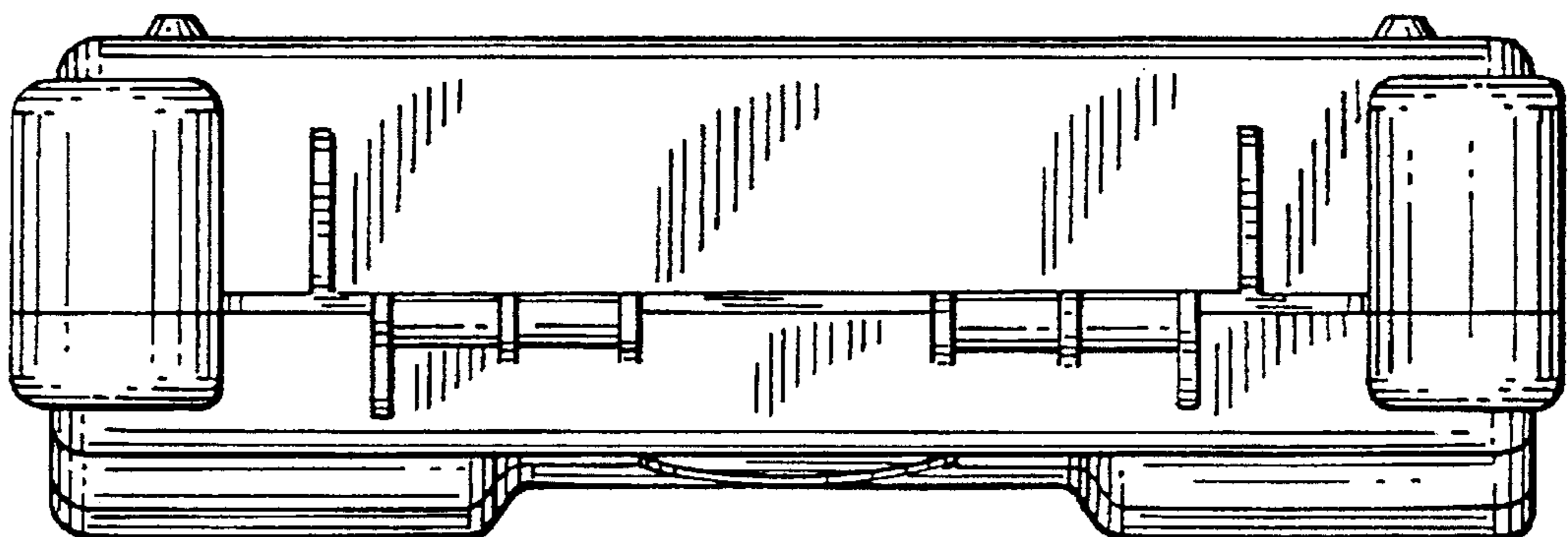


FIG. 6

FIG. 7



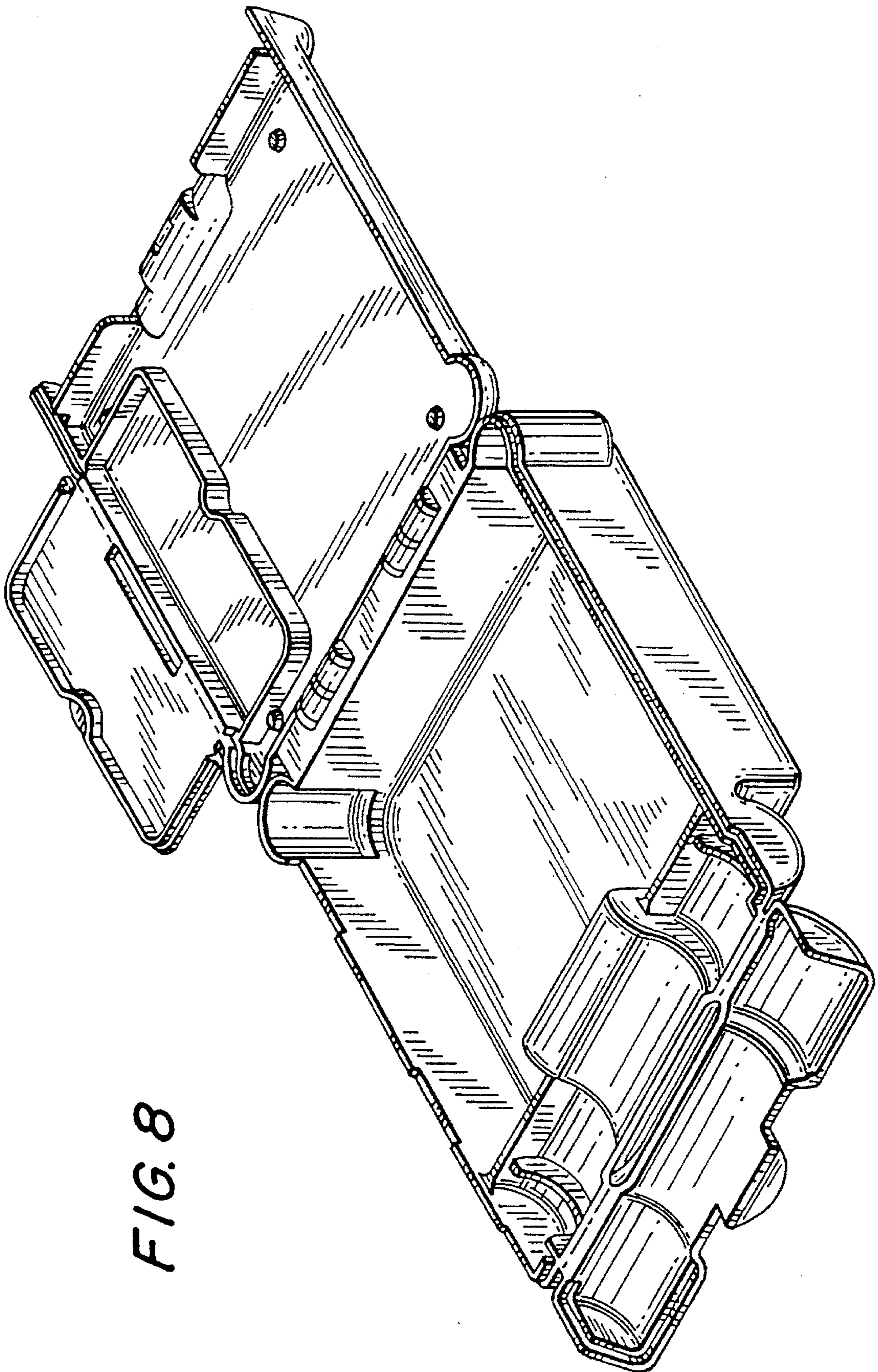


FIG. 8