



US00D383284S

# United States Patent [19]

[11] Patent Number: **Des. 383,284**

Lines

[45] Date of Patent: **\*\*Sep. 2, 1997**

## [54] CUP HOLDER FOR A SHOPPING CART

## DESCRIPTION

[76] Inventor: **Theresa M. Lines**, 707 Worcester St., Wellesley, Mass. 02181

FIG. 1 is a top perspective view of a cup holder for a shopping cart showing my new design, the broken lines are for illustrative purposes only;

[\*\*] Term: **14 Years**

FIG. 2 is a top plan view of FIG. 1;

[21] Appl. No.: **53,999**

FIG. 3 is a front elevational view of FIG. 1;

[22] Filed: **May 3, 1996**

FIG. 4 is a left side elevational view of FIG. 1;

[51] LOC (6) Cl. .... **12-02**

FIG. 5 is a right side elevational view of FIG. 1;

[52] U.S. Cl. .... **D34/27; D7/552**

FIG. 6 is a rear elevational view of FIG. 1;

[58] Field of Search ..... **D34/27; 280/33.992, 280/DIG. 4; D7/619, 623; D6/552**

FIG. 7 is a bottom plan view of FIG. 1;

FIG. 8 is a top perspective view of a second embodiment of the cup holder for a shopping cart;

## [56] References Cited

FIG. 9 is a top plan view of FIG. 8;

### U.S. PATENT DOCUMENTS

FIG. 10 is a front elevational view of FIG. 8;

D. 356,002	3/1995	Morgan	.....	D6/552
5,110,170	5/1992	Boatwright	.....	D7/619 X
5,494,306	2/1996	Adamson et al.	.....	280/33.992

FIG. 11 is a left side elevational view of FIG. 8;

*Primary Examiner*—Kay H. Chin  
*Attorney, Agent, or Firm*—Baker & Botts, L.L.P.

FIG. 12 is a right side elevational view of FIG. 8;

FIG. 13 is a rear elevational view of FIG. 8;

FIG. 14 is a bottom plan view of FIG. 8;

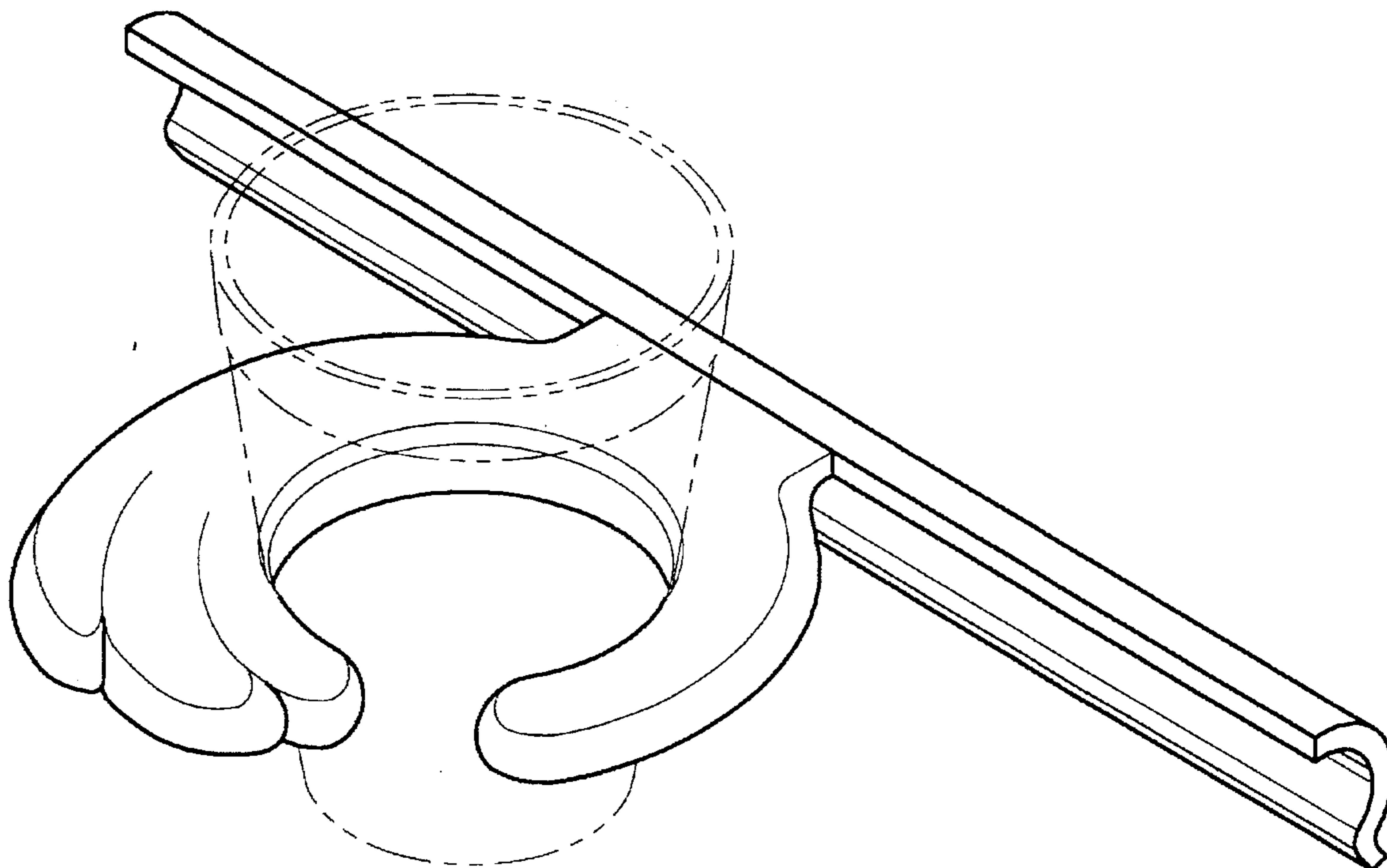
FIG. 15 is a right side view of FIG. 8 with the holder in up position; and,

FIG. 16 is a left side view of FIG. 8 with the holder in down position.

## [57] CLAIM

The ornamental design for a cup holder for a shopping cart, as shown and described.

**1 Claim, 5 Drawing Sheets**



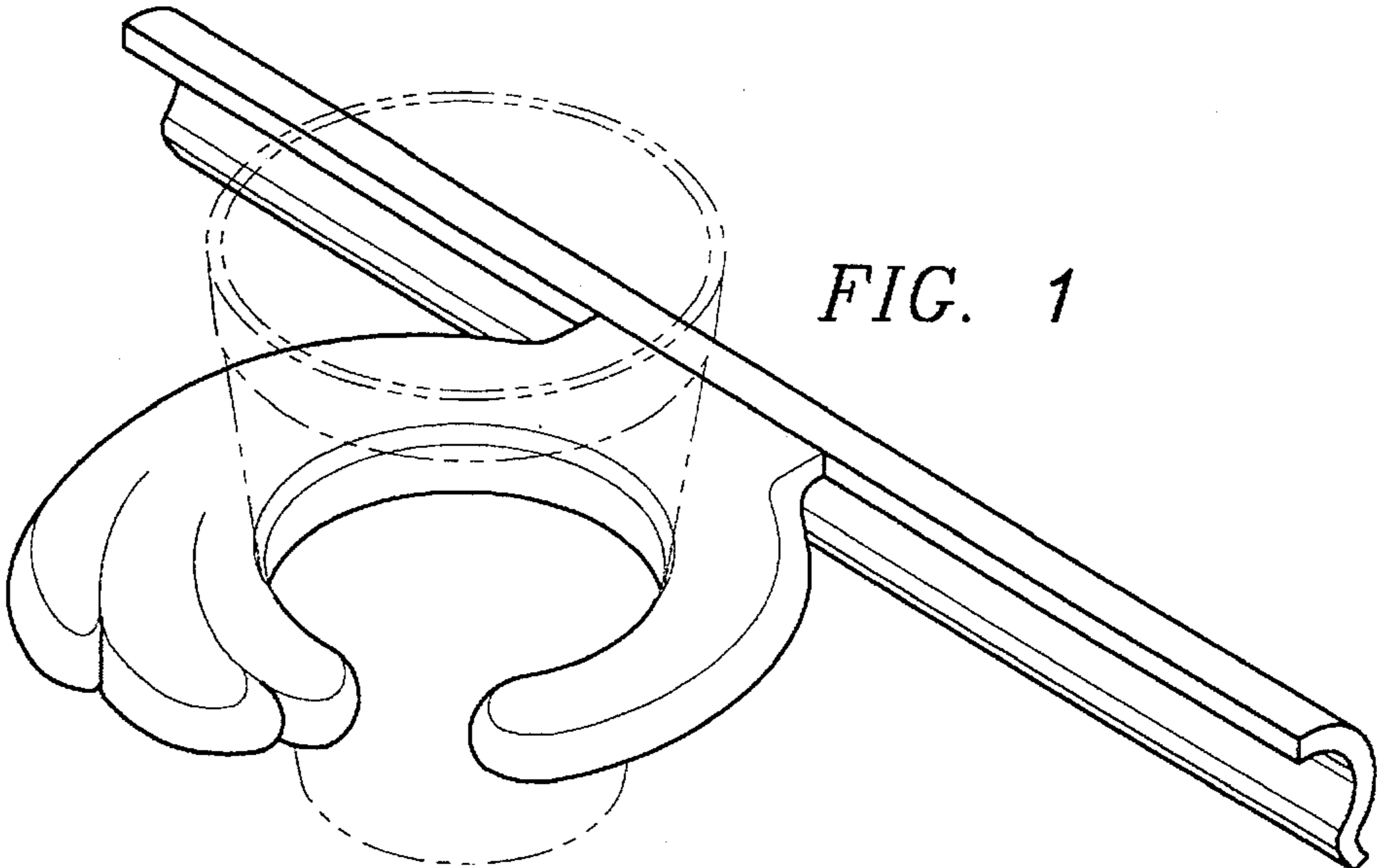


FIG. 1

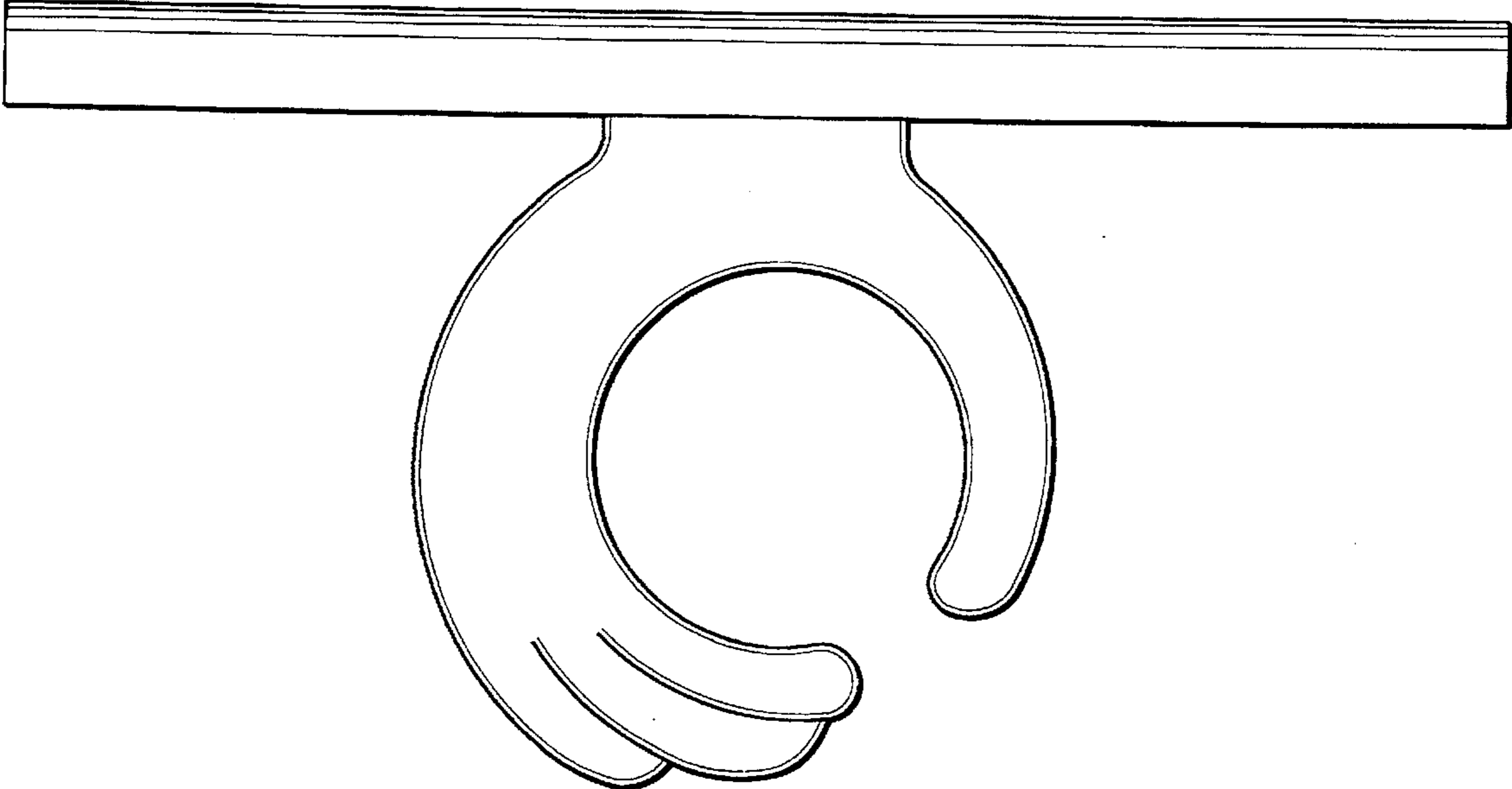


FIG. 2

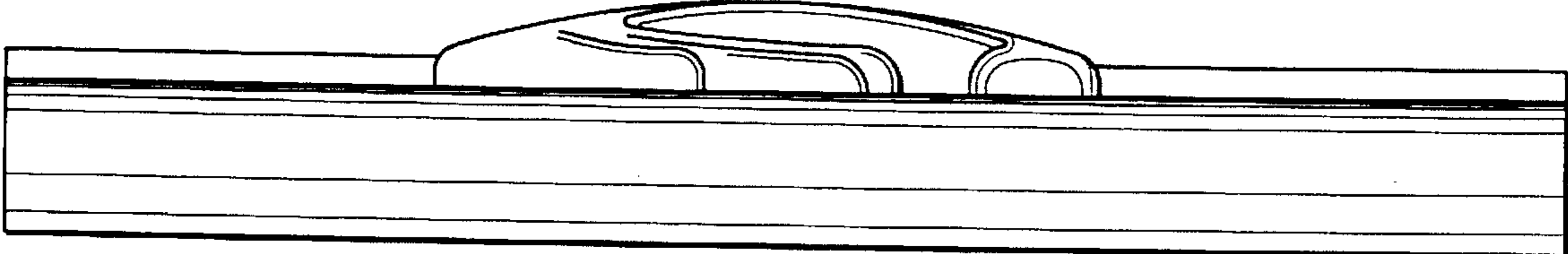


FIG. 3

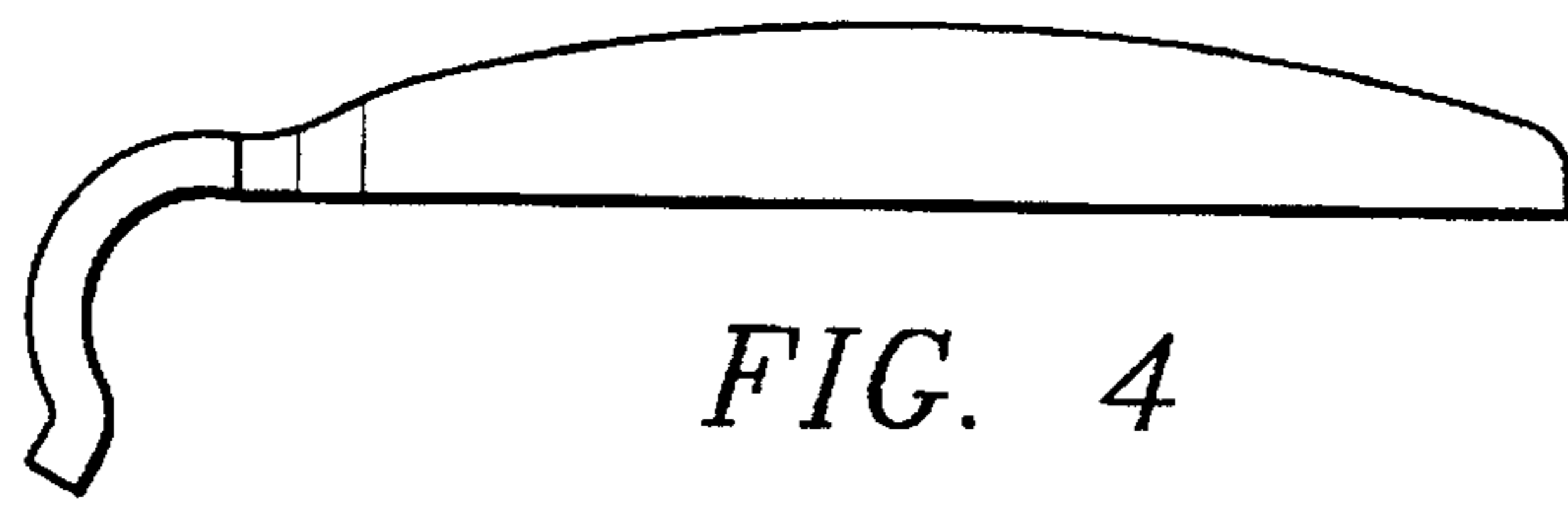


FIG. 4

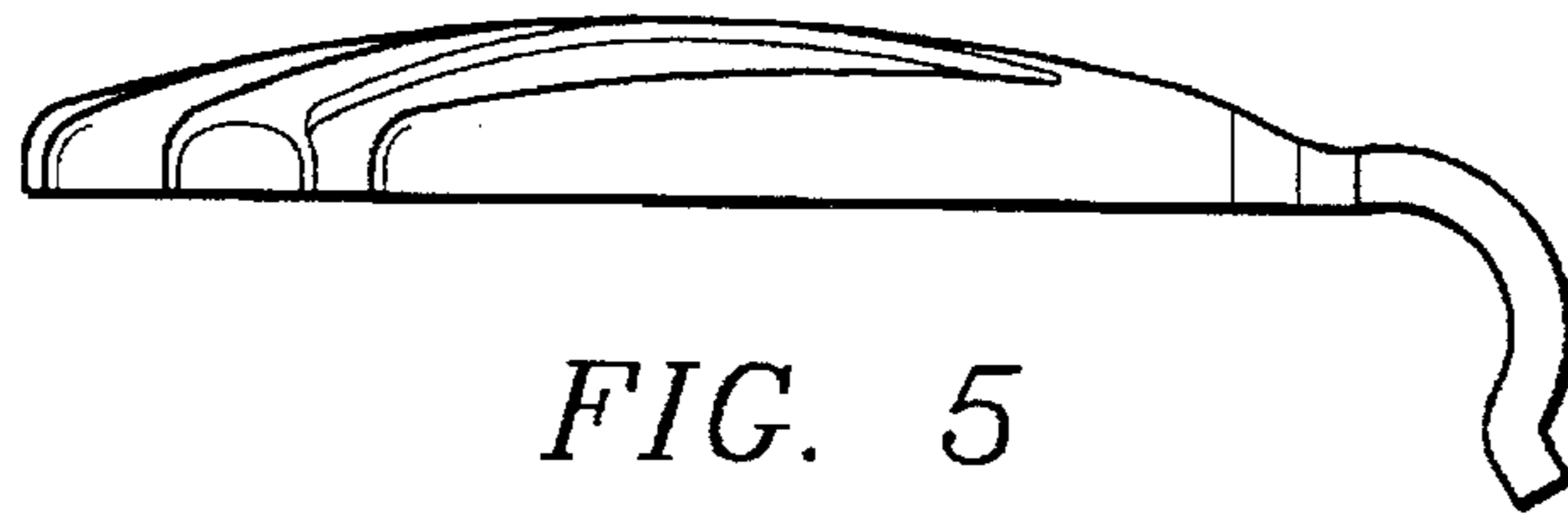


FIG. 5

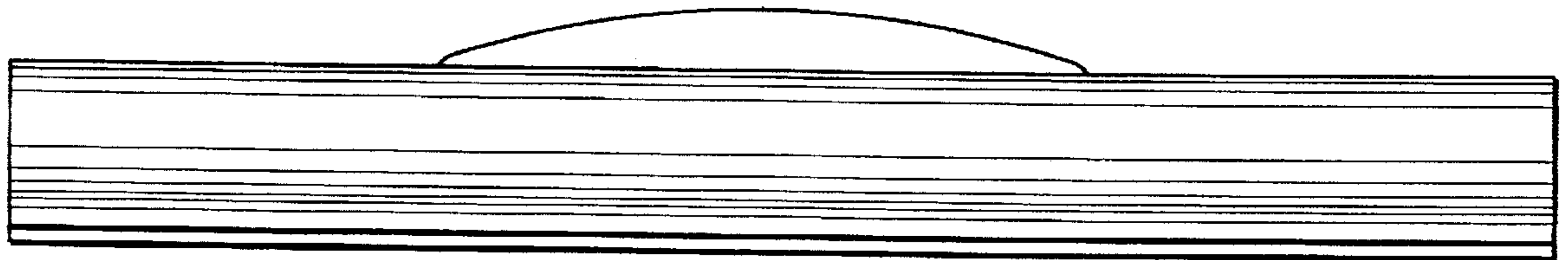


FIG. 6

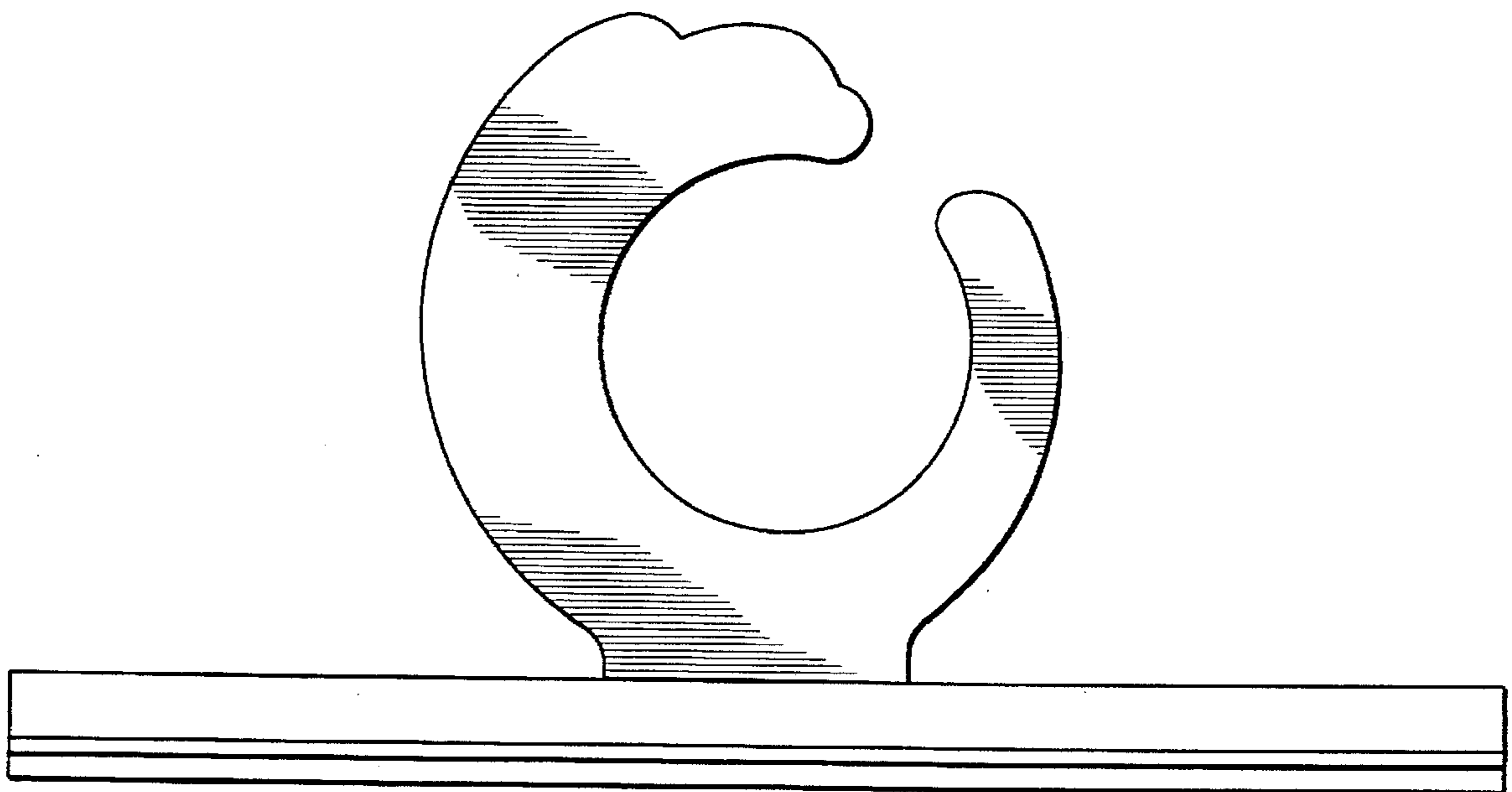


FIG. 7

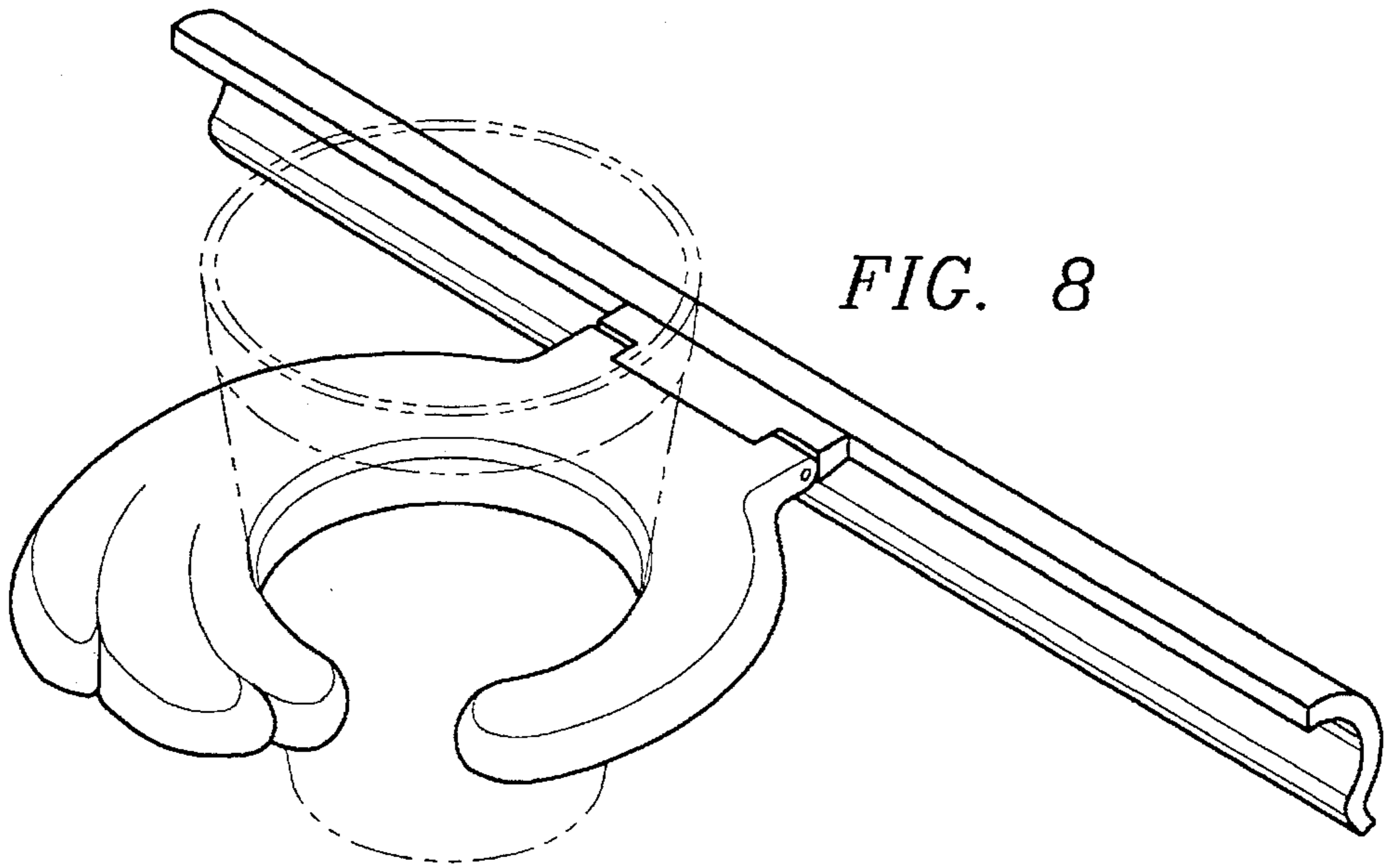


FIG. 8

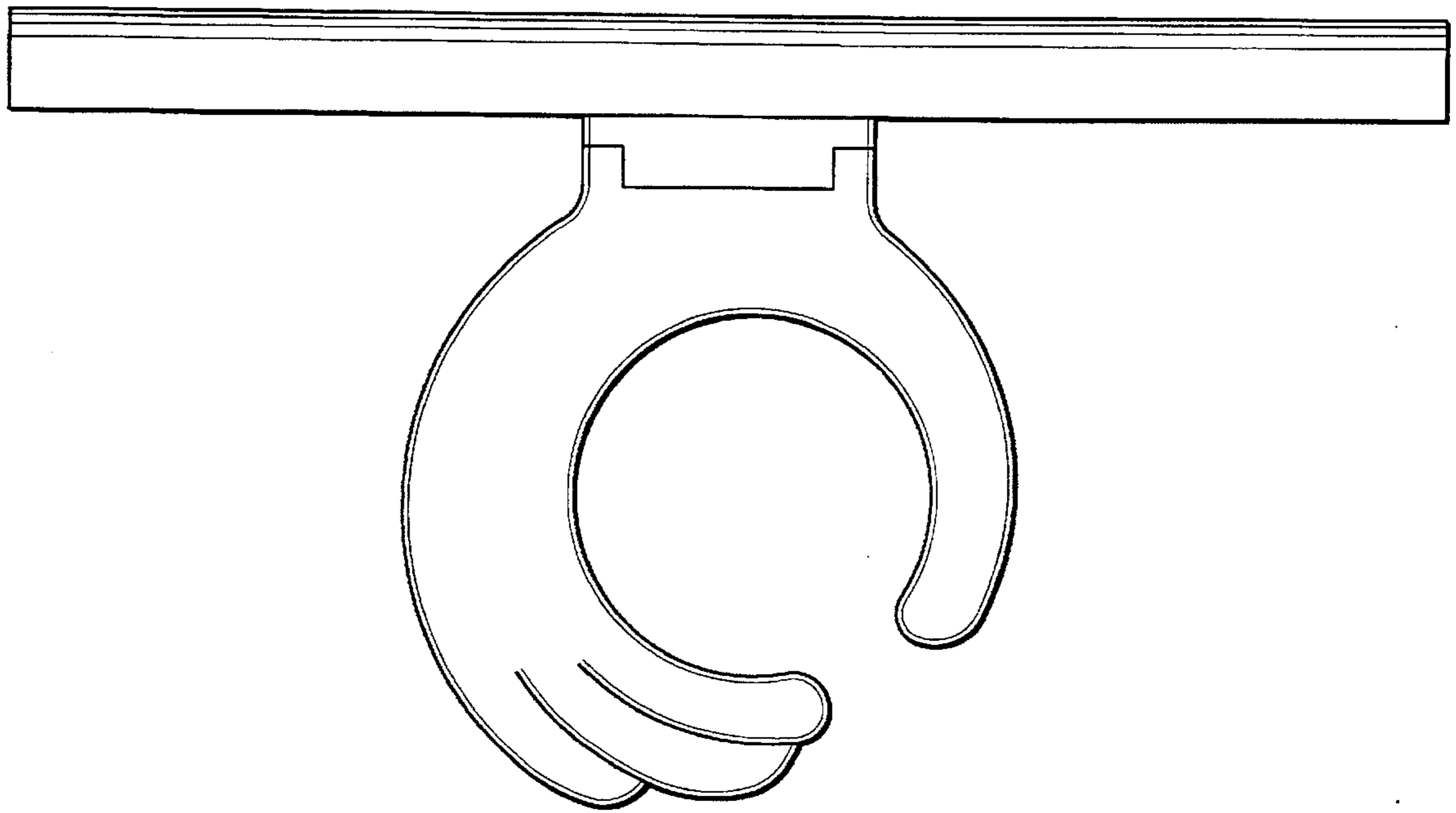


FIG. 9

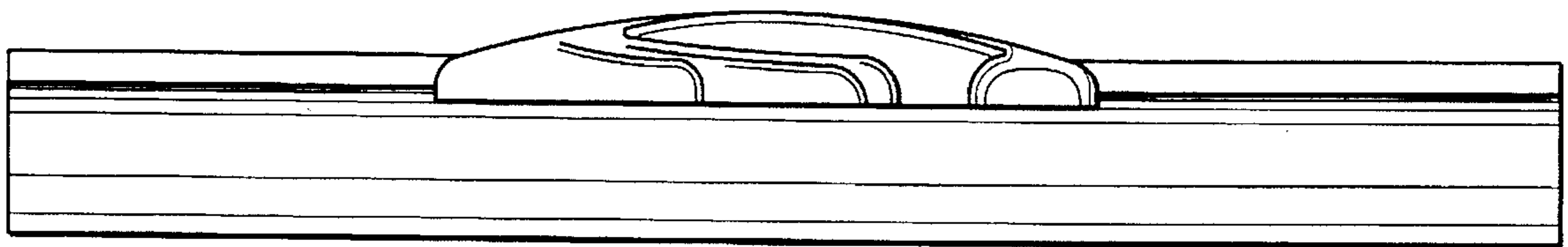


FIG. 10

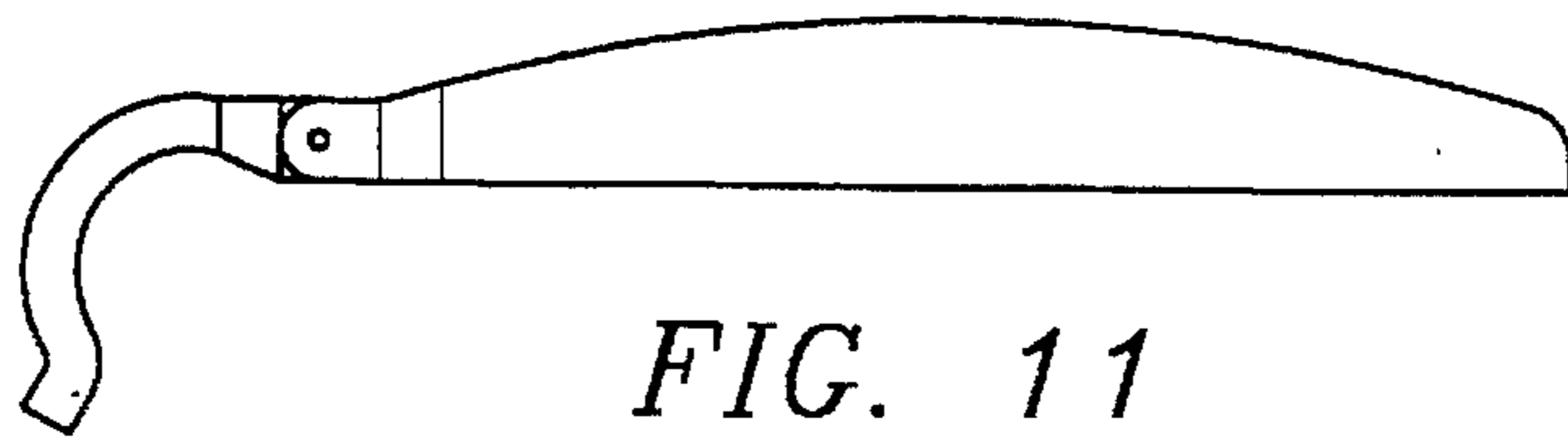


FIG. 11

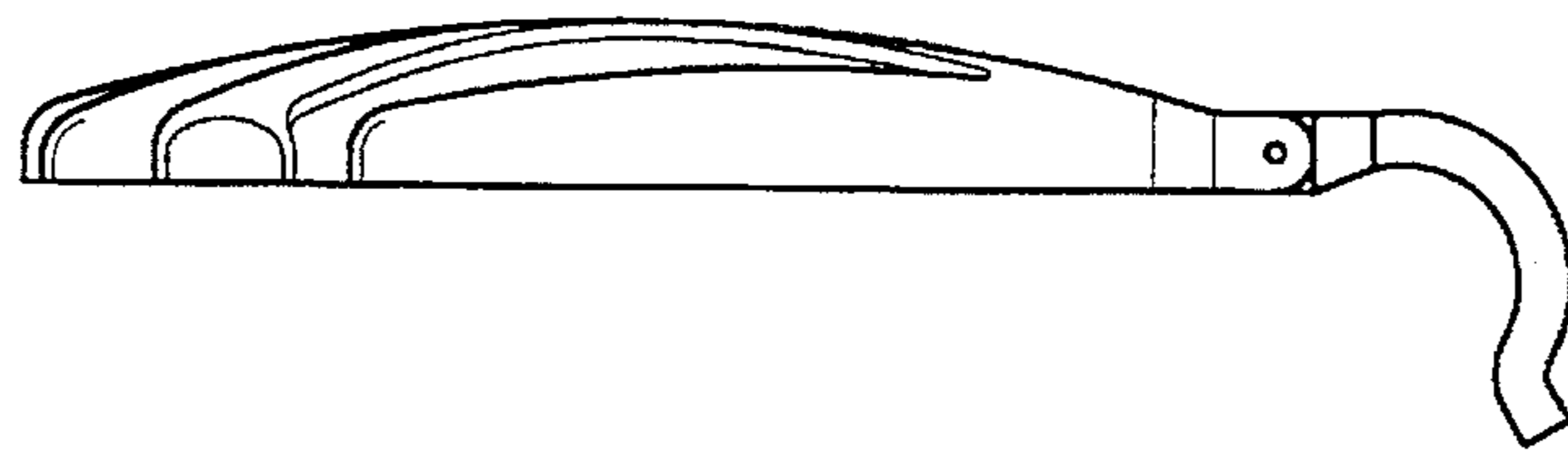


FIG. 12

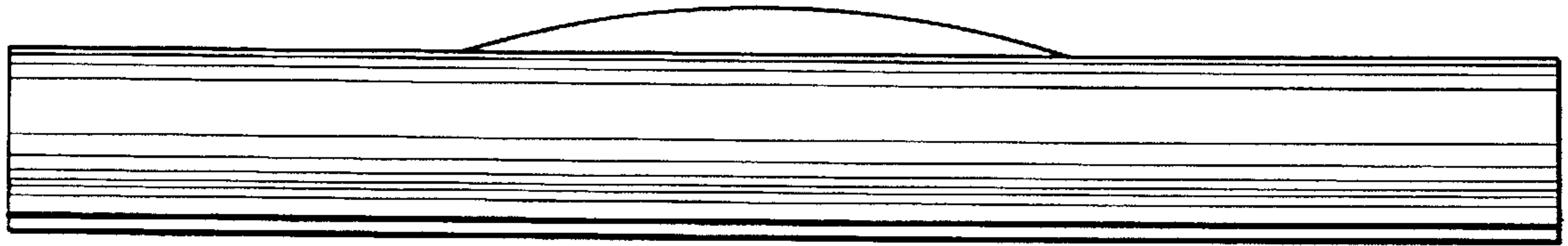


FIG. 13

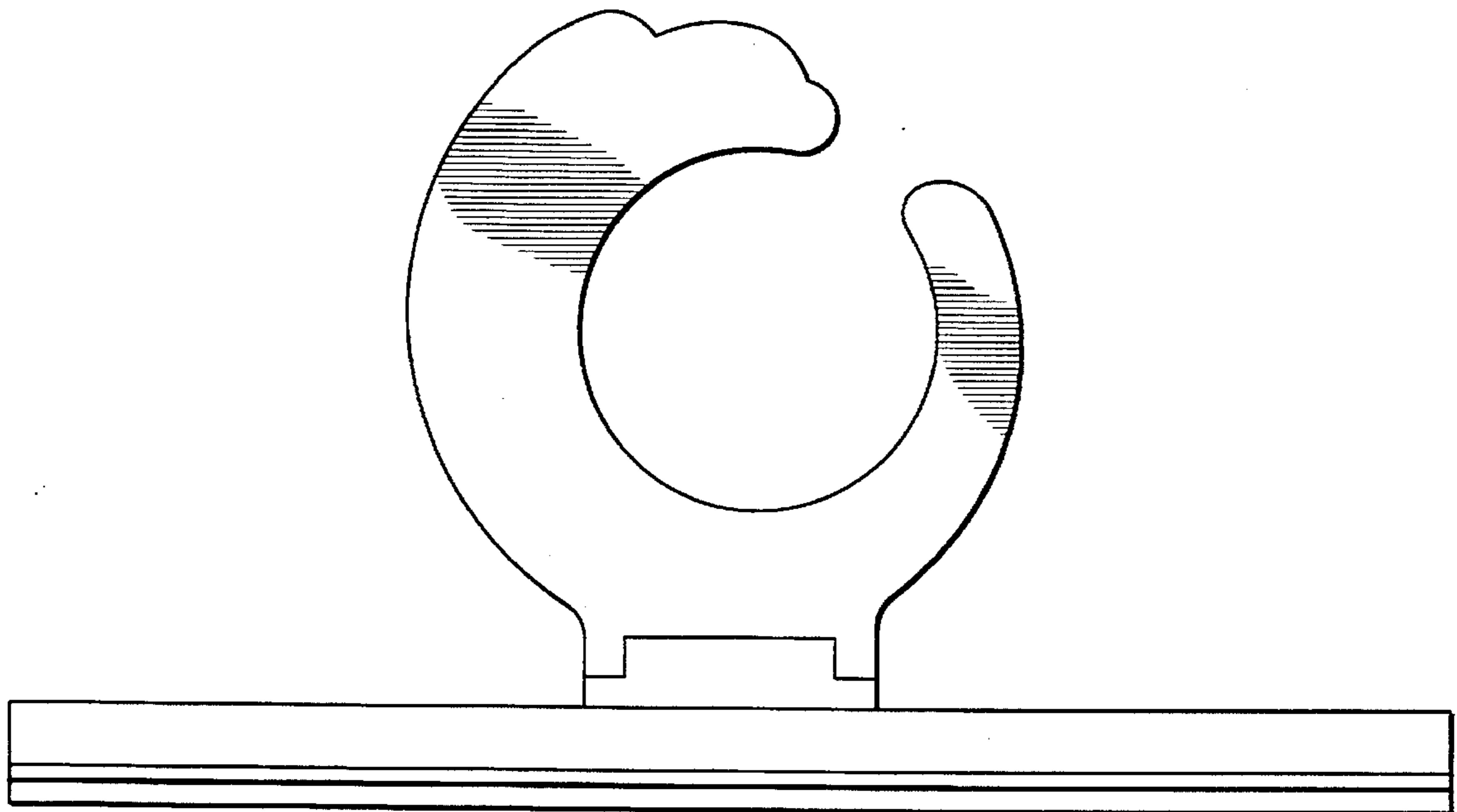
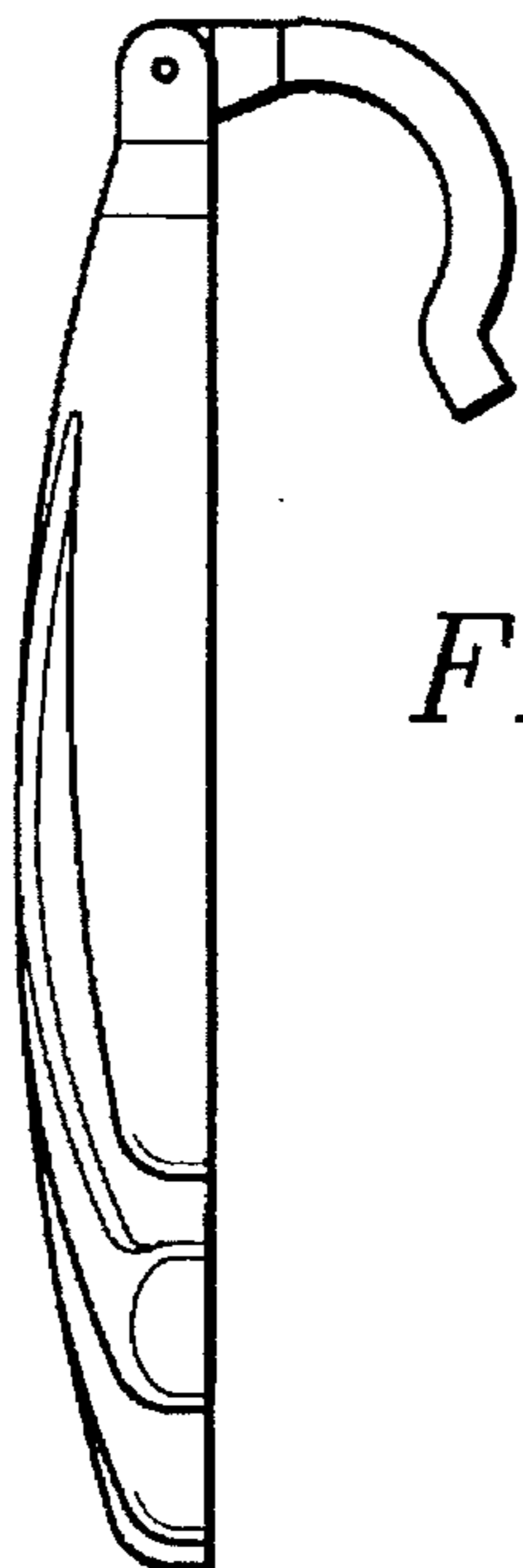


FIG. 14



*FIG. 15*



*FIG. 16*