

US00D383282S

**United States Patent** [19]  
**Proffitt**

[11] **Patent Number:** **Des. 383,282**

[45] **Date of Patent:** **\*\*Sep. 2, 1997**

[54] **WHEELED CARRIER**

[75] Inventor: **Mark Proffitt**, Greenville, Tenn.

[73] Assignee: **Dejay Corporation**, Palm Beach Gardens, Fla.

[\*\*] Term: **14 Years**

[21] Appl. No.: **49,049**

[22] Filed: **Jan. 17, 1996**

[51] **LOC (6) Cl.** ..... **12-02**

[52] **U.S. Cl.** ..... **D34/19; D34/17**

[58] **Field of Search** ..... **D34/12-27; 280/39, 280/32.6, 32.5, 641, 30, 47.34**

[56] **References Cited**

**U.S. PATENT DOCUMENTS**

D. 322,915	1/1992	Franklin	.....	D34/19
D. 365,905	1/1996	Yemini	.....	D34/19
5,028,060	7/1991	Martin	.....	280/39

**OTHER PUBLICATIONS**

Sporty's Tool Shop, Christmas 1995 Cat. p. 59, "Multi-Purpose Work Seat".

*Primary Examiner*—Kay H. Chin

*Attorney, Agent, or Firm*—Antonelli, Terry, Stout & Kraus, LLP

[57] **CLAIM**

The ornamental design for a wheeled carrier, as shown and described.

**DESCRIPTION**

FIG. 1 is a right side elevational view of the wheeled carrier showing my new design;

FIG. 2 is a left side elevational view thereof;

FIG. 3 is a front elevational view thereof;

FIG. 4 is a rear elevational view thereof;

FIG. 5 is a top plan view thereof; and,

FIG. 6 is a bottom plan view thereof.

The broken lines shown in FIGS. 1 through 6 are for illustrative purposes only and form no part of the claimed design.

**1 Claim, 6 Drawing Sheets**

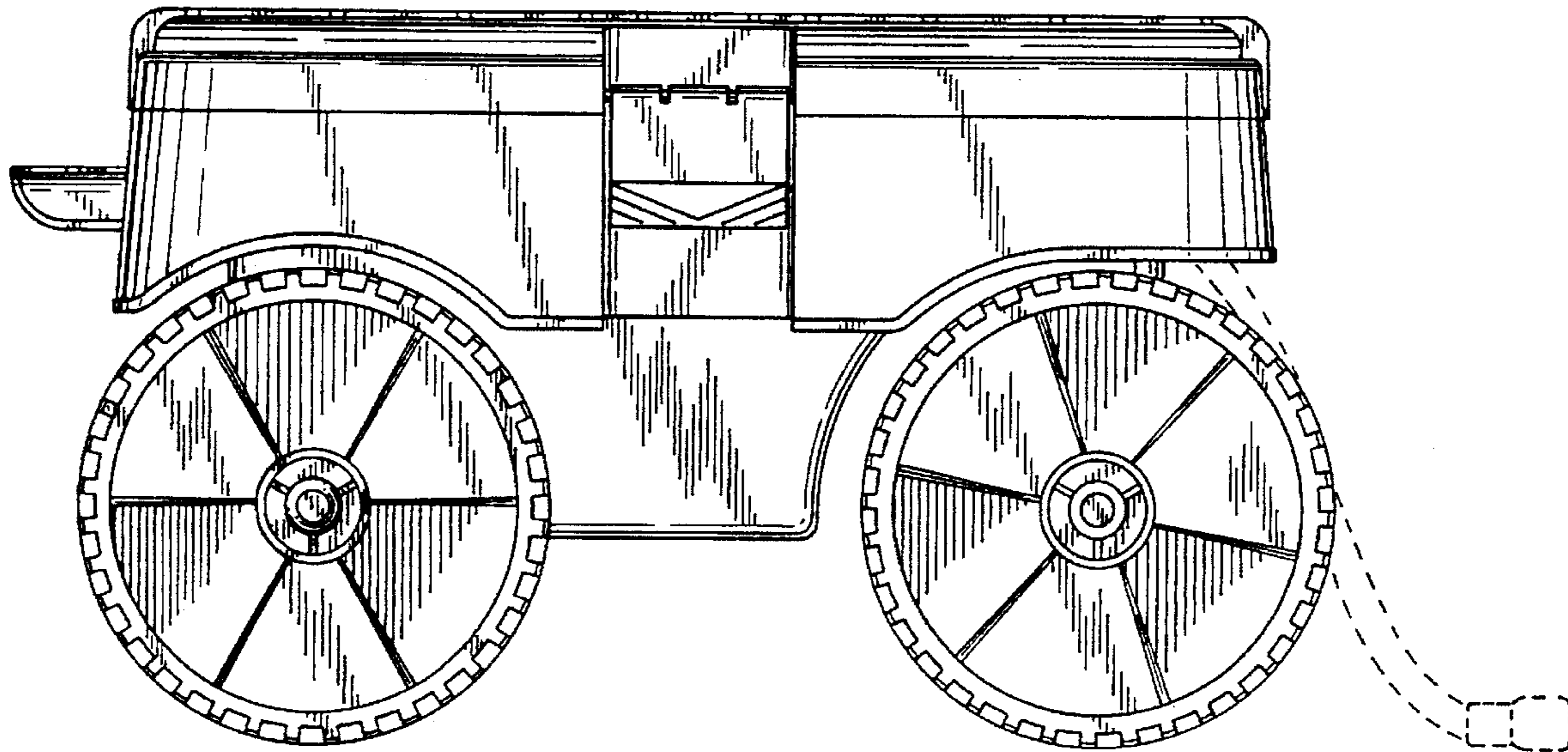


FIG. 1

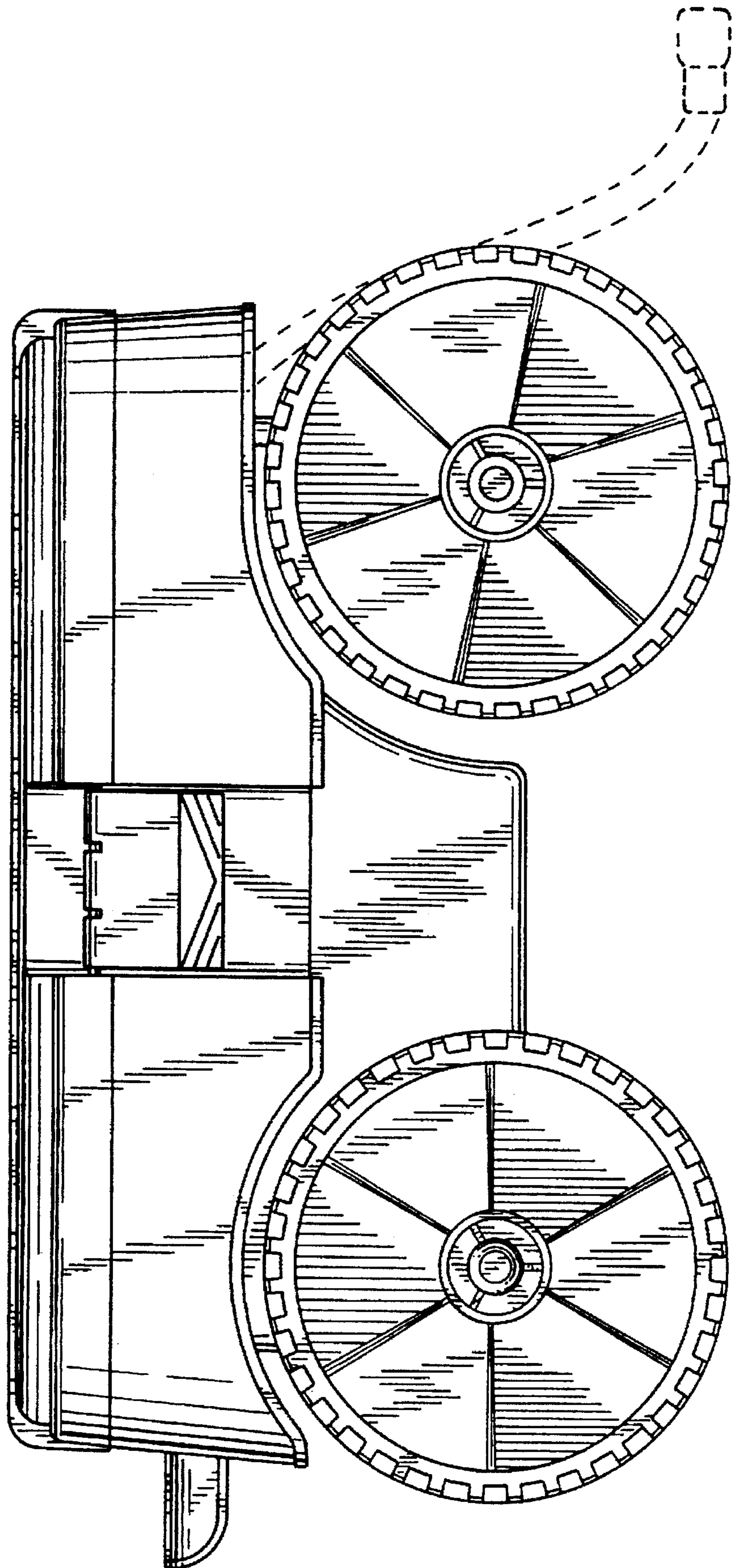
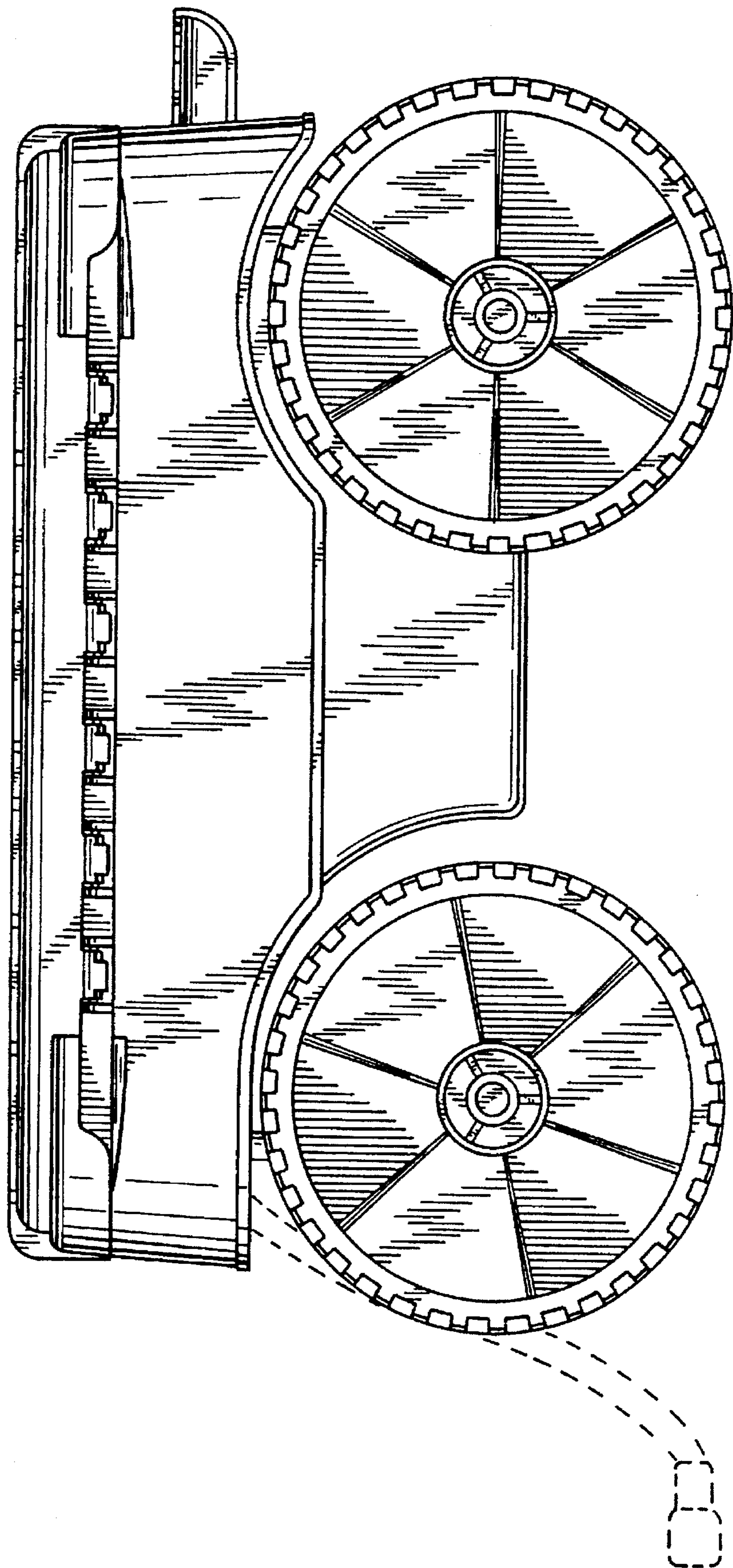
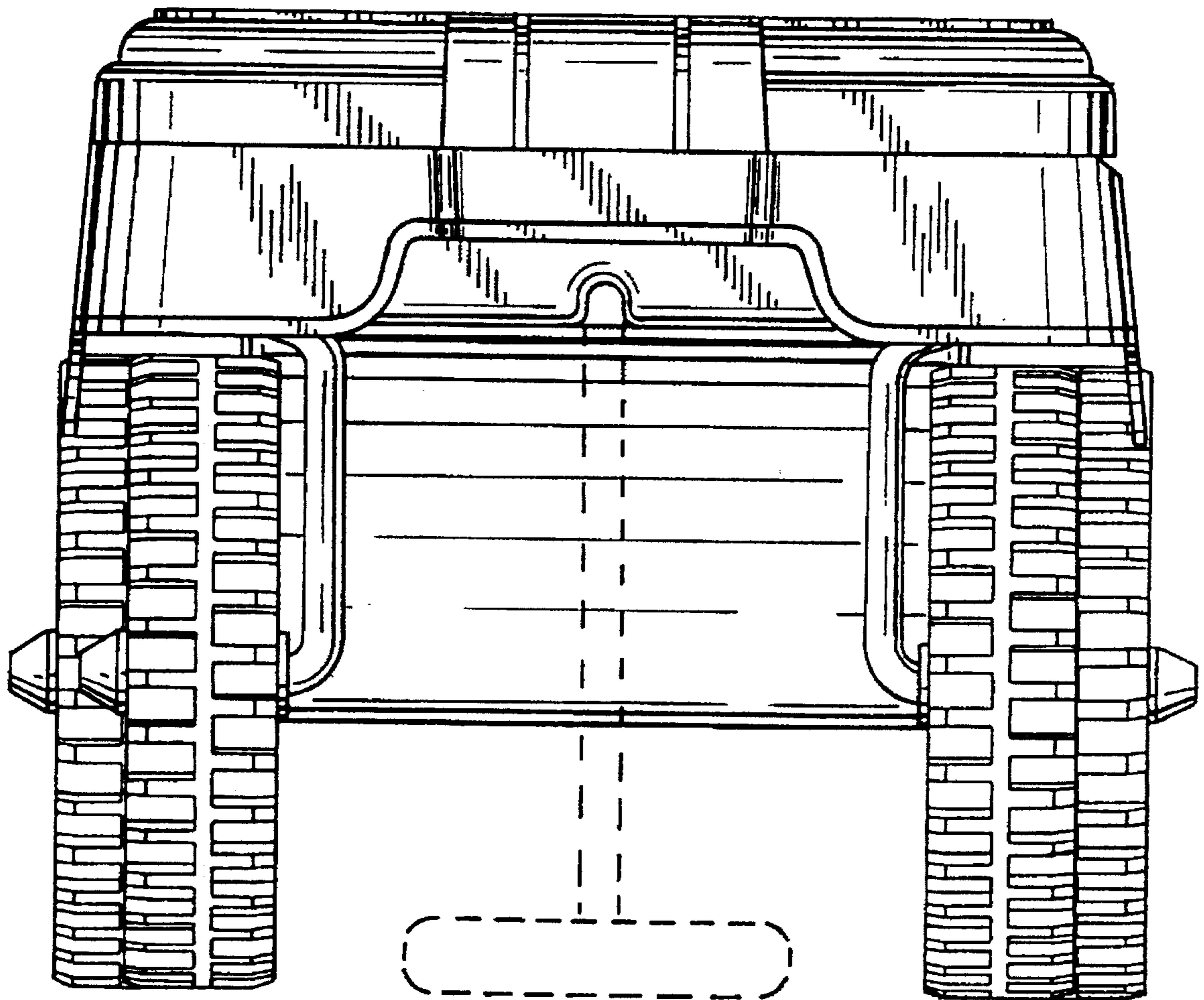


FIG. 2



*FIG. 3*



*FIG. 4*

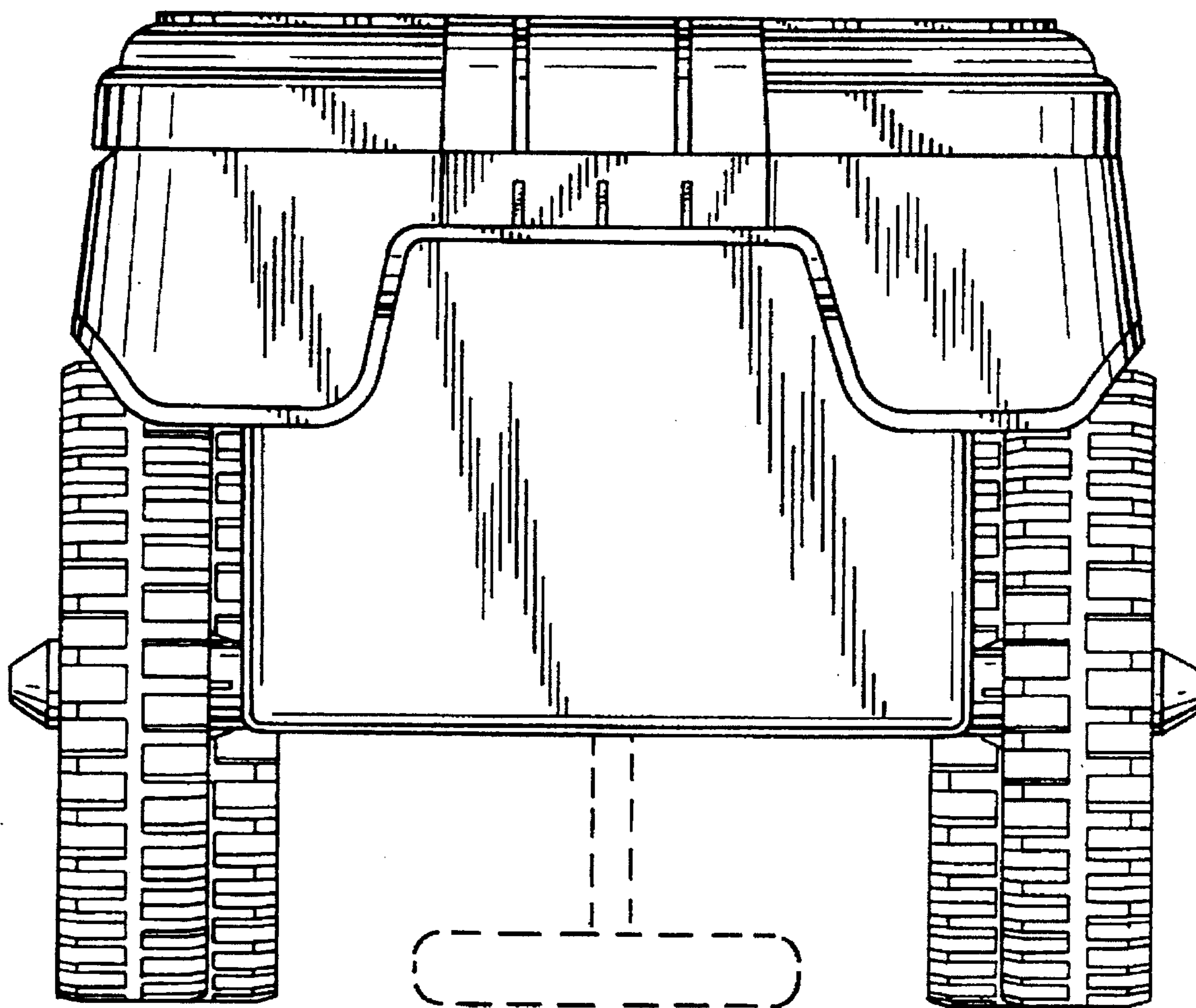


FIG. 5

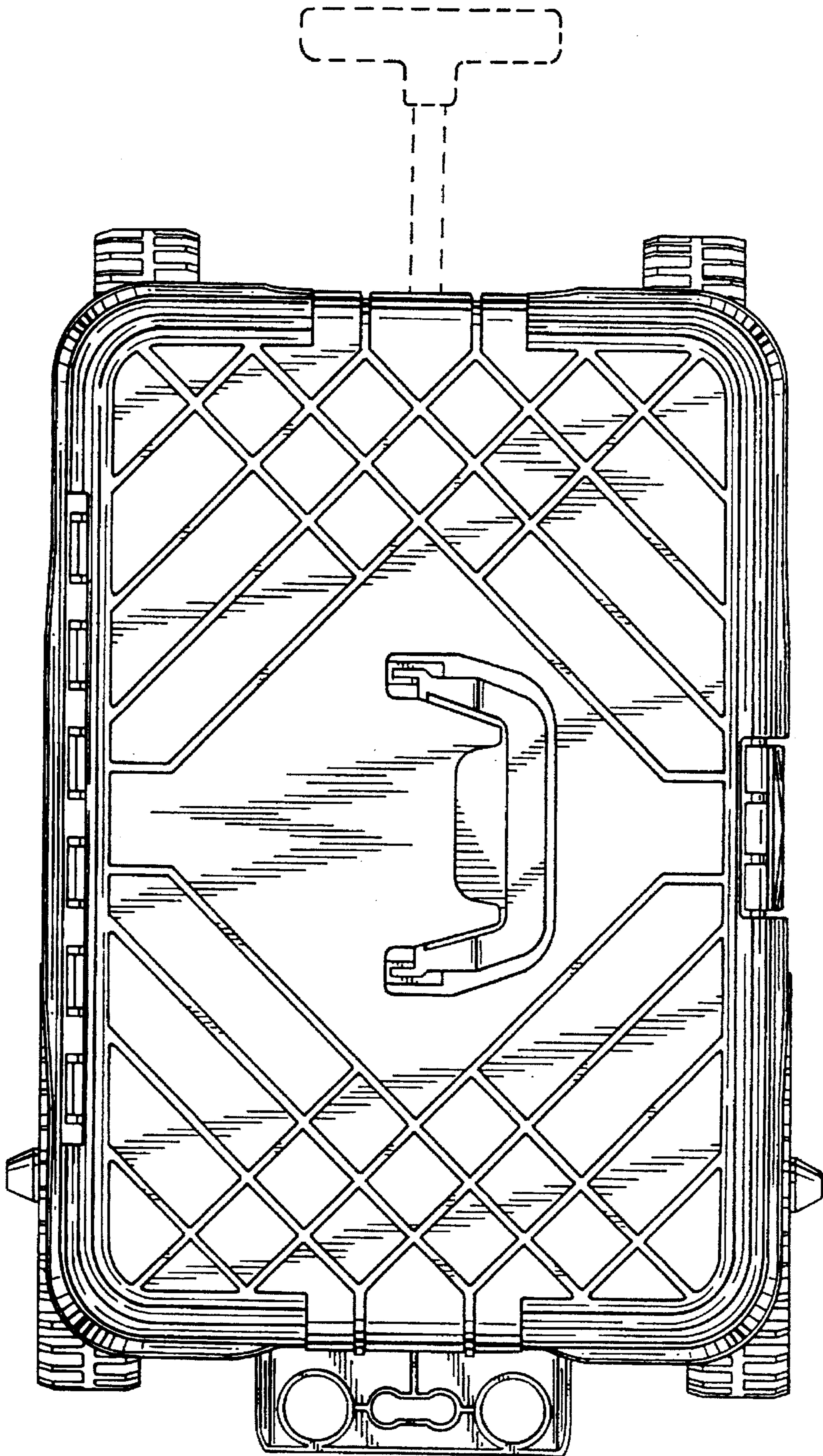


FIG. 6

