



US00D383281S

United States Patent [19]

[11] Patent Number: **Des. 383,281**

Furry

[45] Date of Patent: ****Sep. 2, 1997**

[54] **WEED CADDY**

Primary Examiner—Kay H. Chin

[76] Inventor: **Paul E. Furry**, 37228 Rutledge Dr.,
Zephyrhills, Fla. 33541

[57] **CLAIM**

[**] Term: **14 Years**

The ornamental design for a weed caddy, as shown and described.

[21] Appl. No.: **49,974**

DESCRIPTION

[22] Filed: **Feb. 6, 1996**

FIG. 1 is a left side elevational view of the weed caddy showing my new design;

[51] LOC (6) Cl. 12-02

FIG. 2 is a right side elevational view thereof;

[52] U.S. Cl. D34/15; D15/27

FIG. 3 is a top plan view thereof;

[58] Field of Search D34/12-27; D15/10,
D15/27; 280/645, 47.27, DIG. 6, DIG. 5,
652

FIG. 4 is a bottom plan view thereof;

FIG. 5 is a rear elevational view thereof;

FIG. 6 is a front elevational view thereof; and,

FIG. 7 is a perspective view thereof.

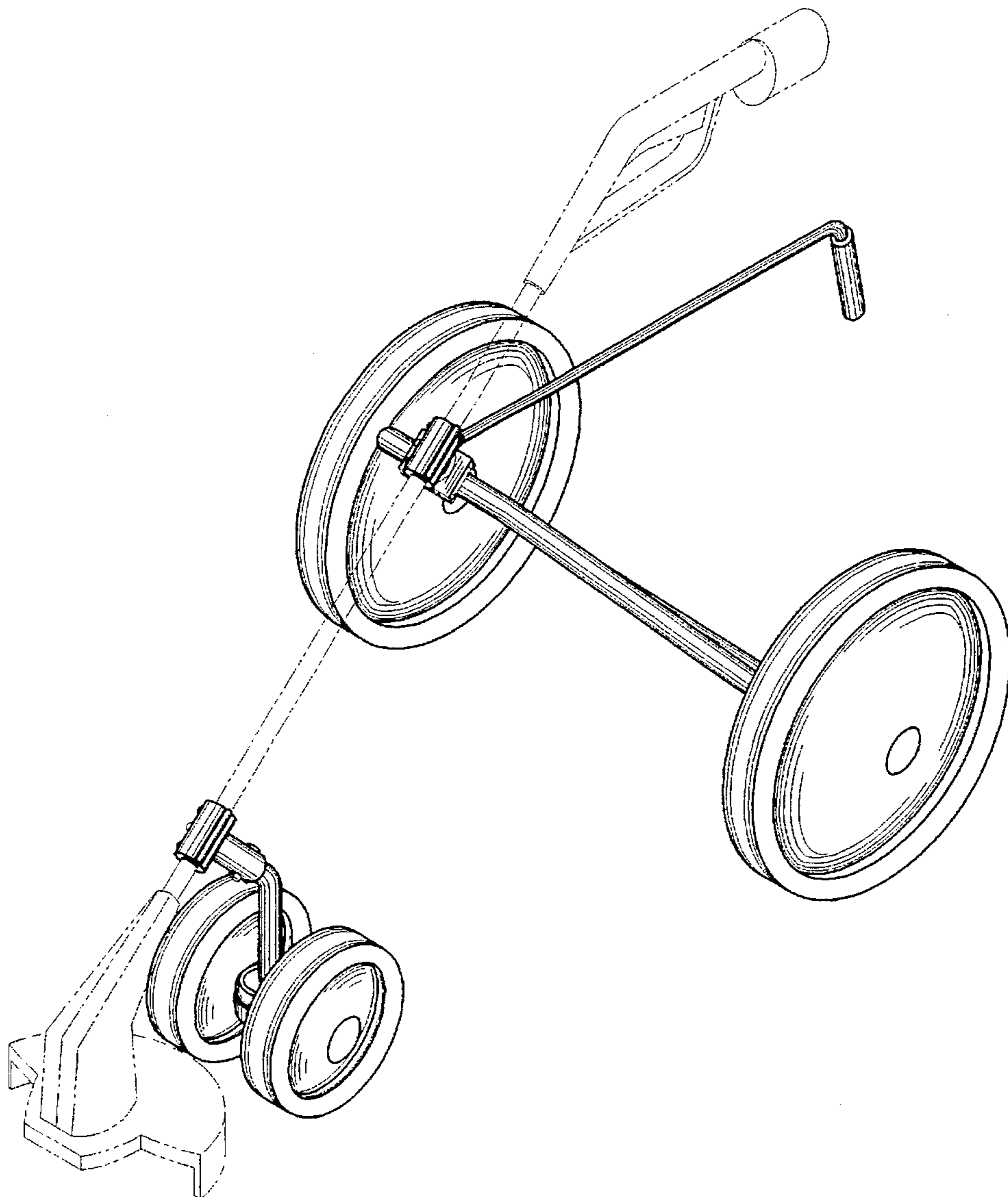
[56] **References Cited**

The broken lines shown in FIG. 7 are for illustrative purposes only and form no part of the claimed design.

U.S. PATENT DOCUMENTS

4,936,598 6/1990 Lee 280/47.27
5,526,894 6/1996 Wang 280/652

1 Claim, 4 Drawing Sheets



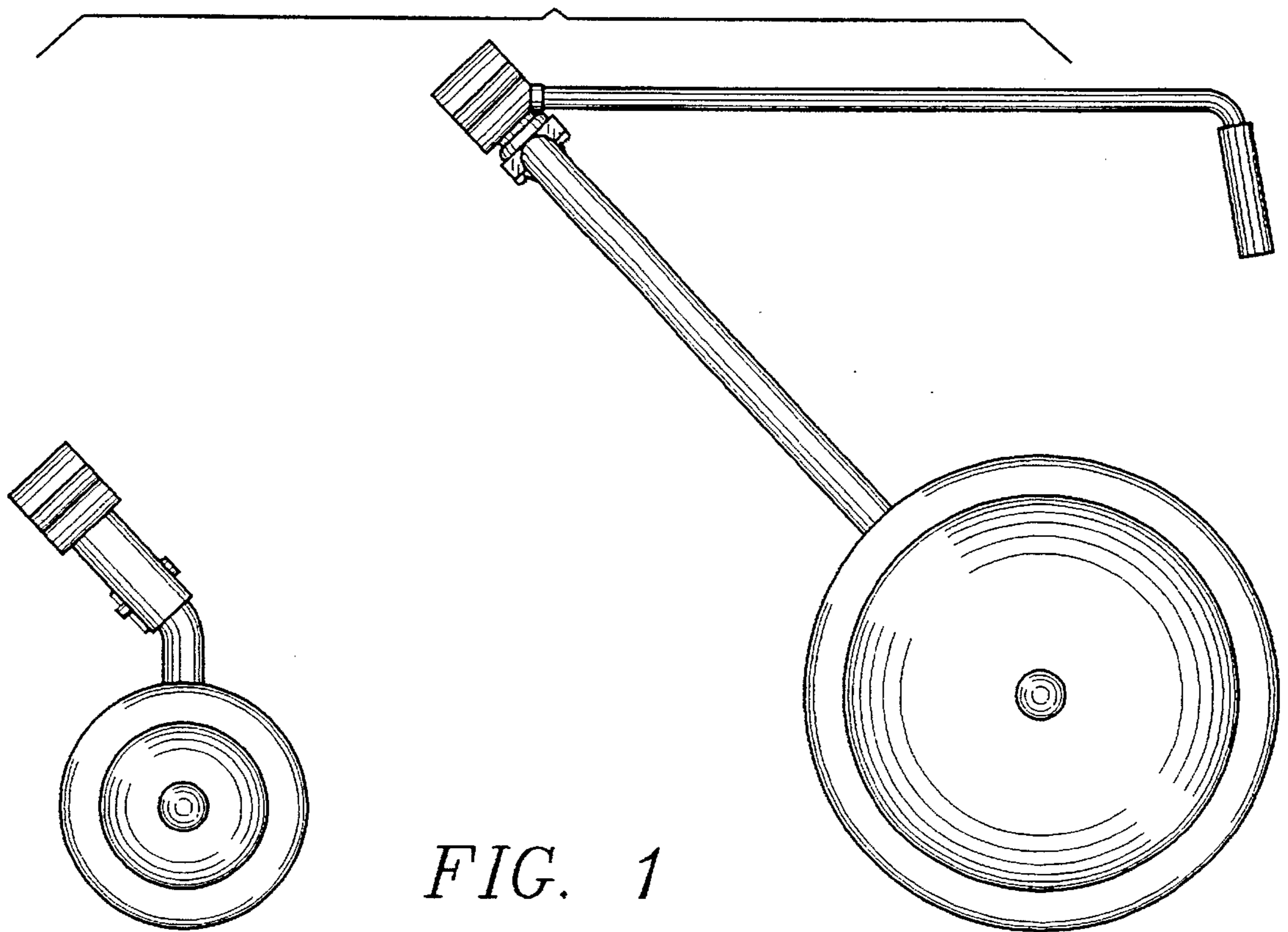


FIG. 1

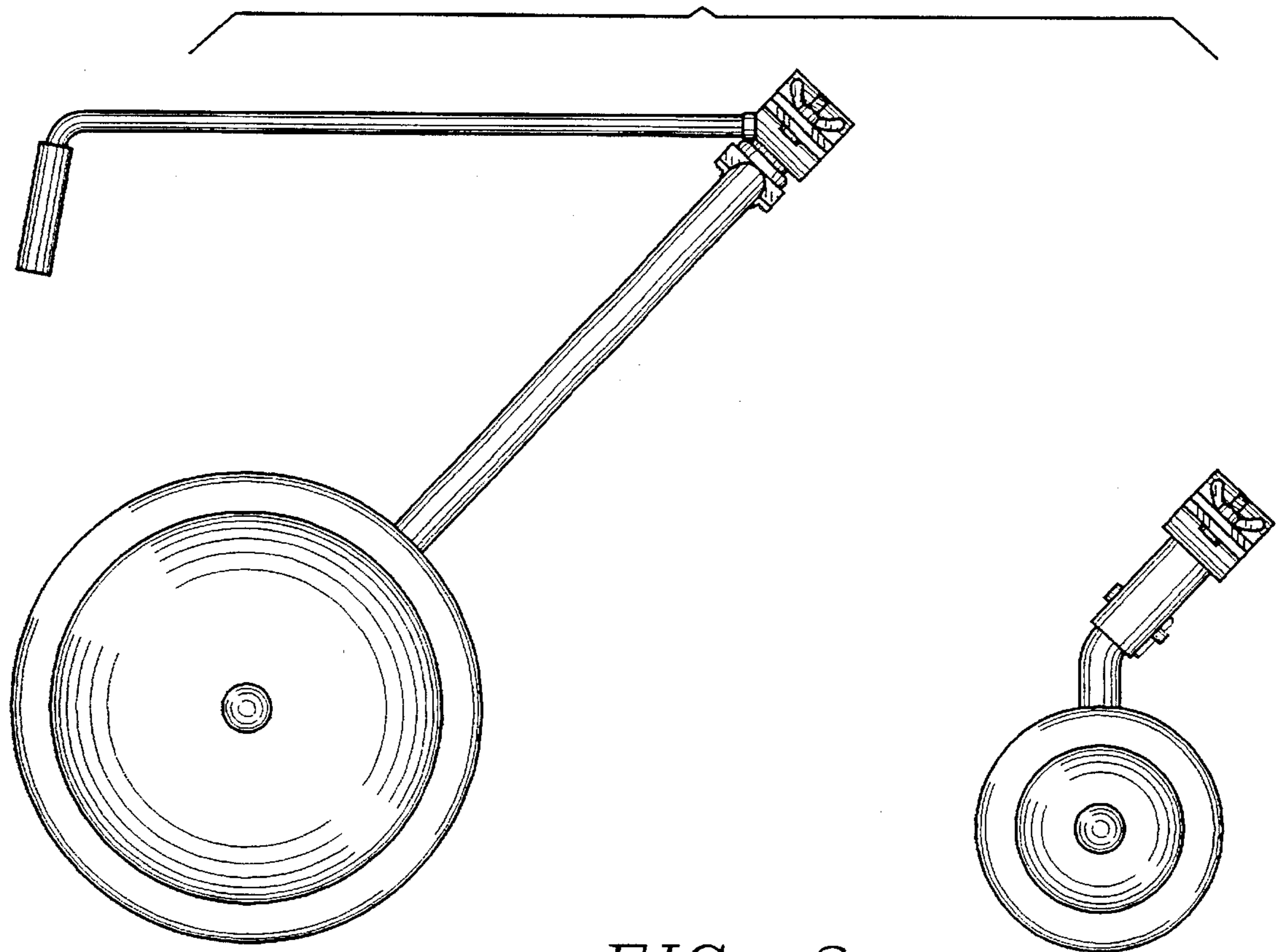
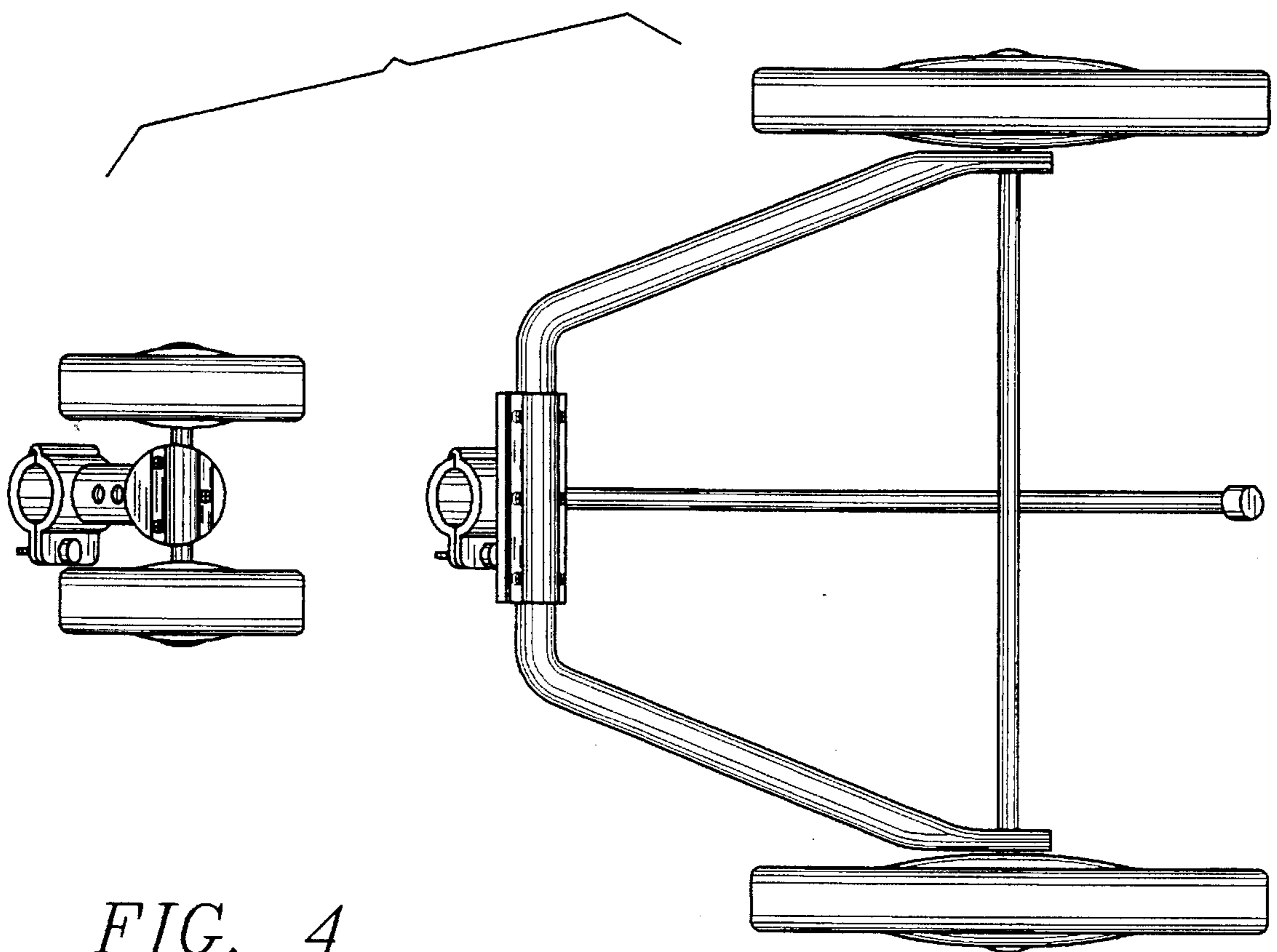
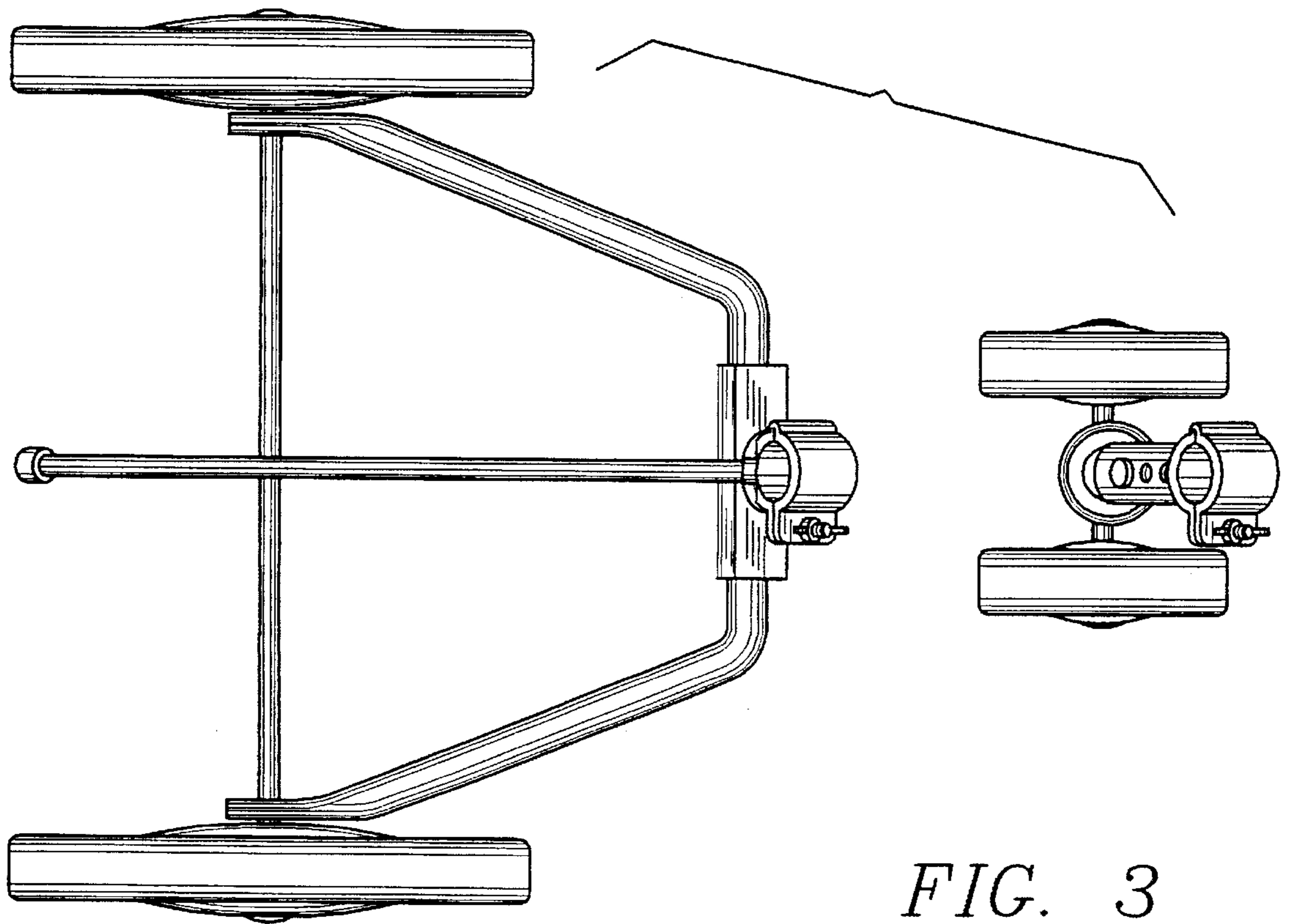


FIG. 2



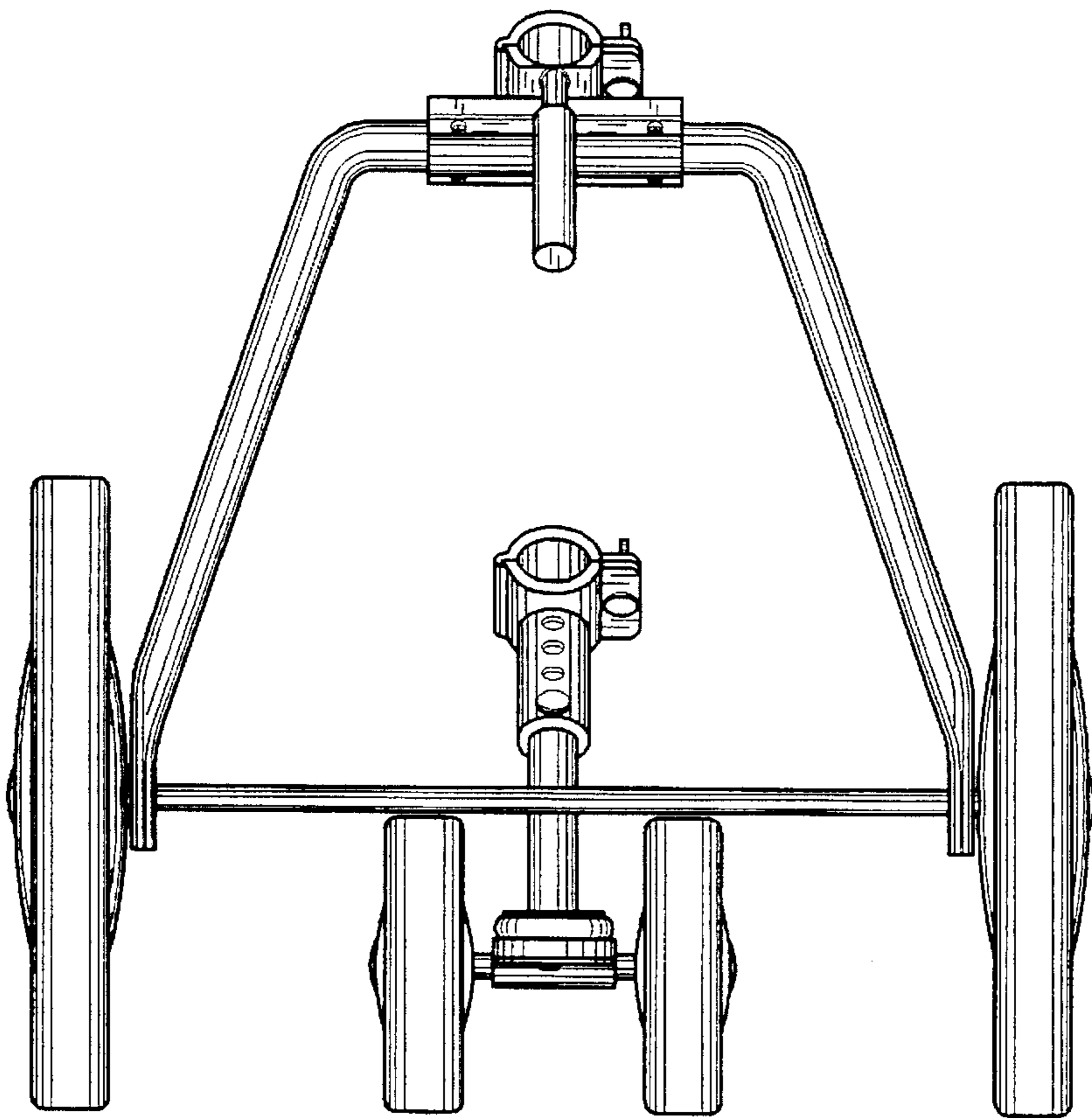


FIG. 5

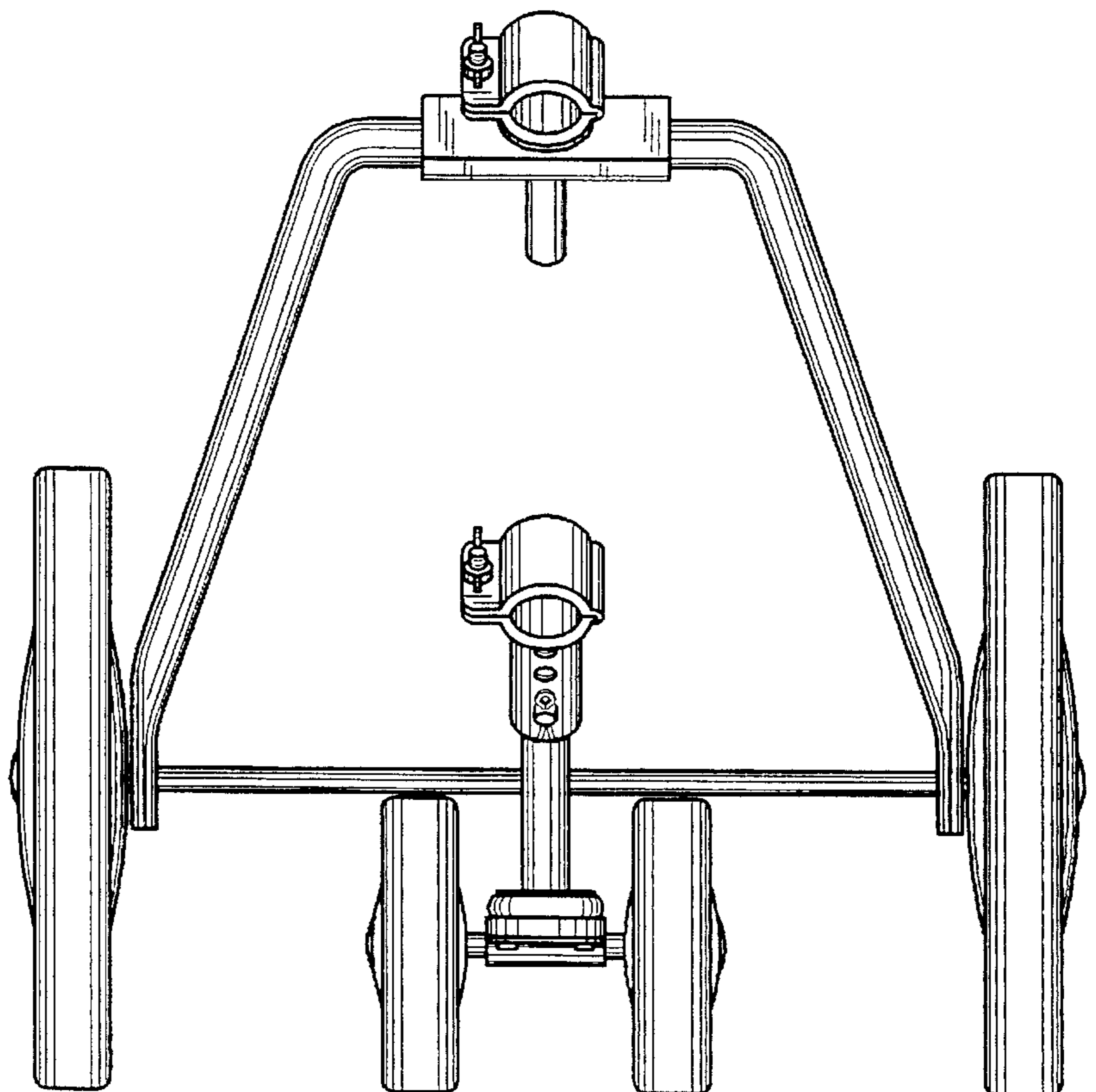


FIG. 6

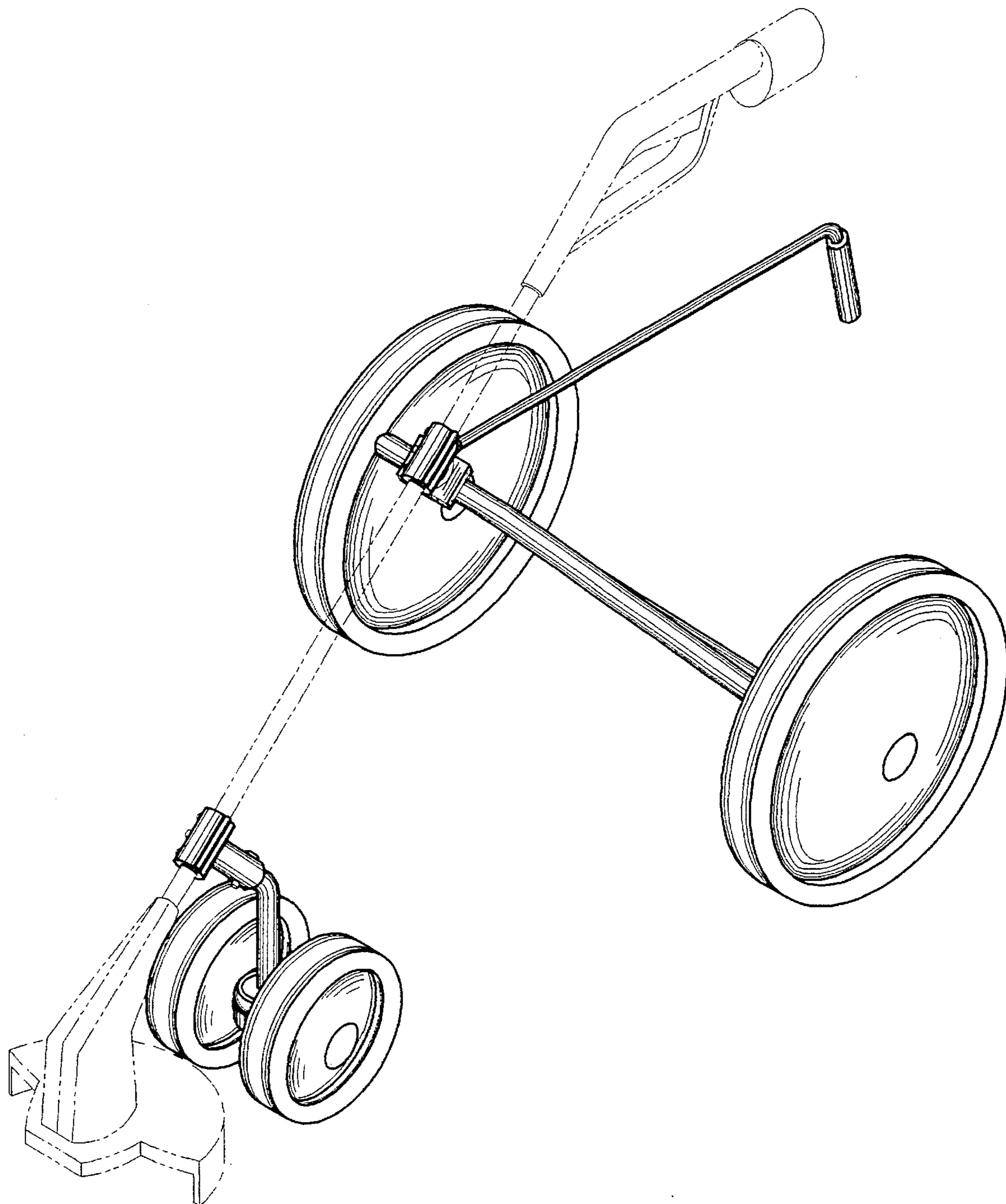


FIG. 7