



US00D383280S

United States Patent [19]
Genovese

[11] **Patent Number:** **Des. 383,280**

[45] **Date of Patent:** ****Sep. 2, 1997**

[54] **VENDING CART**

[76] **Inventor:** **Alan A. Genovese**, 1302 Clarkson
Clayton Center, Suite 209, Ellisville,
Mo. 63011

[**] **Term:** **14 Years**

[21] **Appl. No.:** **53,592**

[22] **Filed:** **Apr. 25, 1996**

[51] **LOC (6) Cl.** **12-02**

[52] **U.S. Cl.** **D34/13**

[58] **Field of Search** D34/12, 13, 14,
D34/17, 19, 20; 296/22

[56] **References Cited**

U.S. PATENT DOCUMENTS

- D. 154,788 8/1949 Loyacano et al. D34/13
- D. 228,063 8/1973 Keeshin D34/14

OTHER PUBLICATIONS

Lucky Dogs, Inc. U.S. Trademark Registration No. 1,429,
464; Lucky Dogs and Design; Registered Feb. 17, 1987.

Primary Examiner—Kay H. Chin
Attorney, Agent, or Firm—Senniger, Powers, Leavitt &
Roedel

[57] **CLAIM**

The ornamental design for a vending cart, as shown and
described.

DESCRIPTION

FIG. 1 is a front elevational view of a vending cart showing
my new design;

FIG. 2 is a top plan view of FIG. 1;

FIG. 3 is a bottom plan view of FIG. 1;

FIG. 4 is a right side elevational view of FIG. 1;

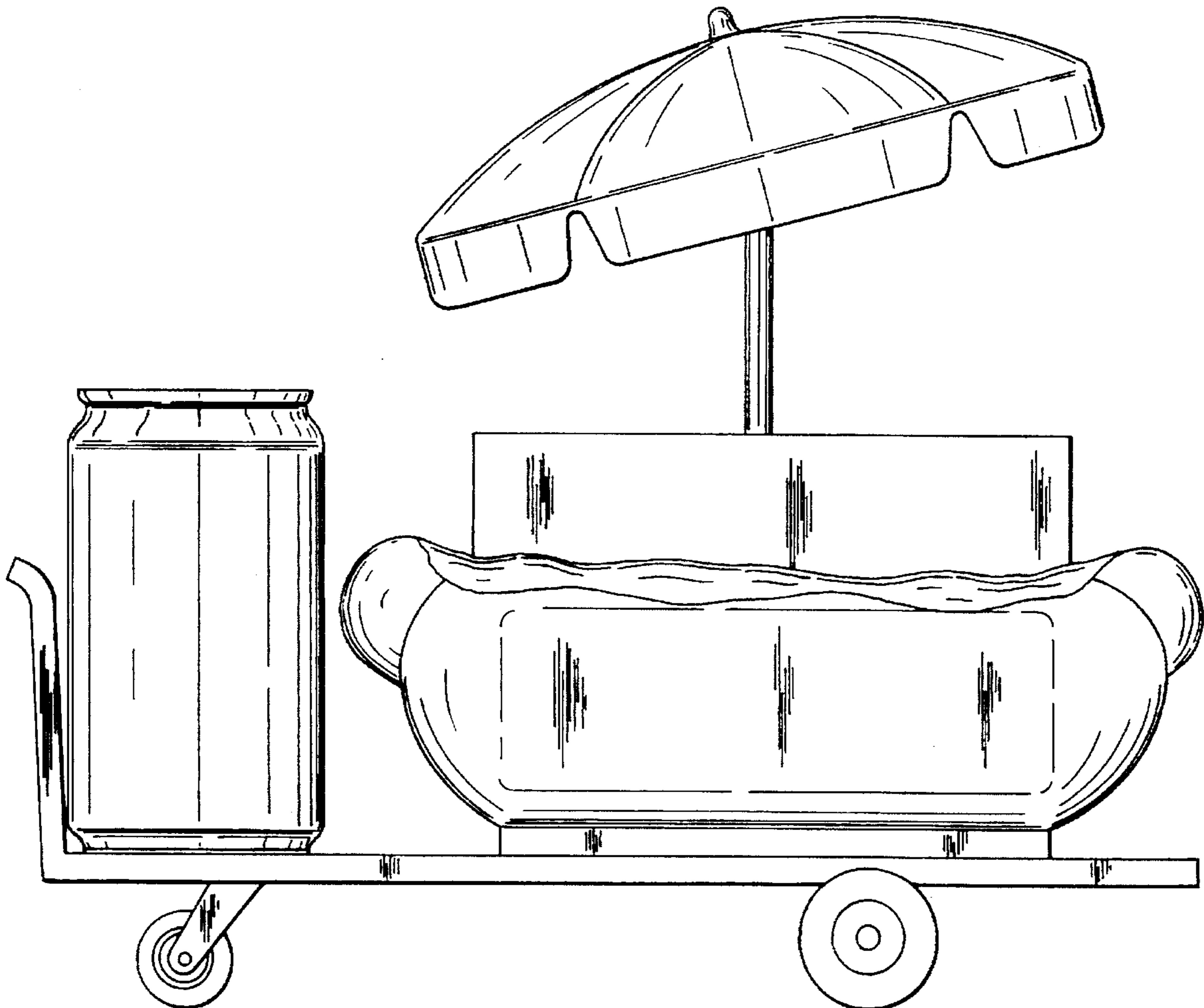
FIG. 5 is a left side elevational view of FIG. 1;

FIG. 6 is a front elevational view of a second embodiment
of the vending cart with an optional lower front trim panel;

FIG. 7 is a right side elevational view of FIG. 6; and,

FIG. 8 is a left side elevational view of FIG. 6.

1 Claim, 6 Drawing Sheets



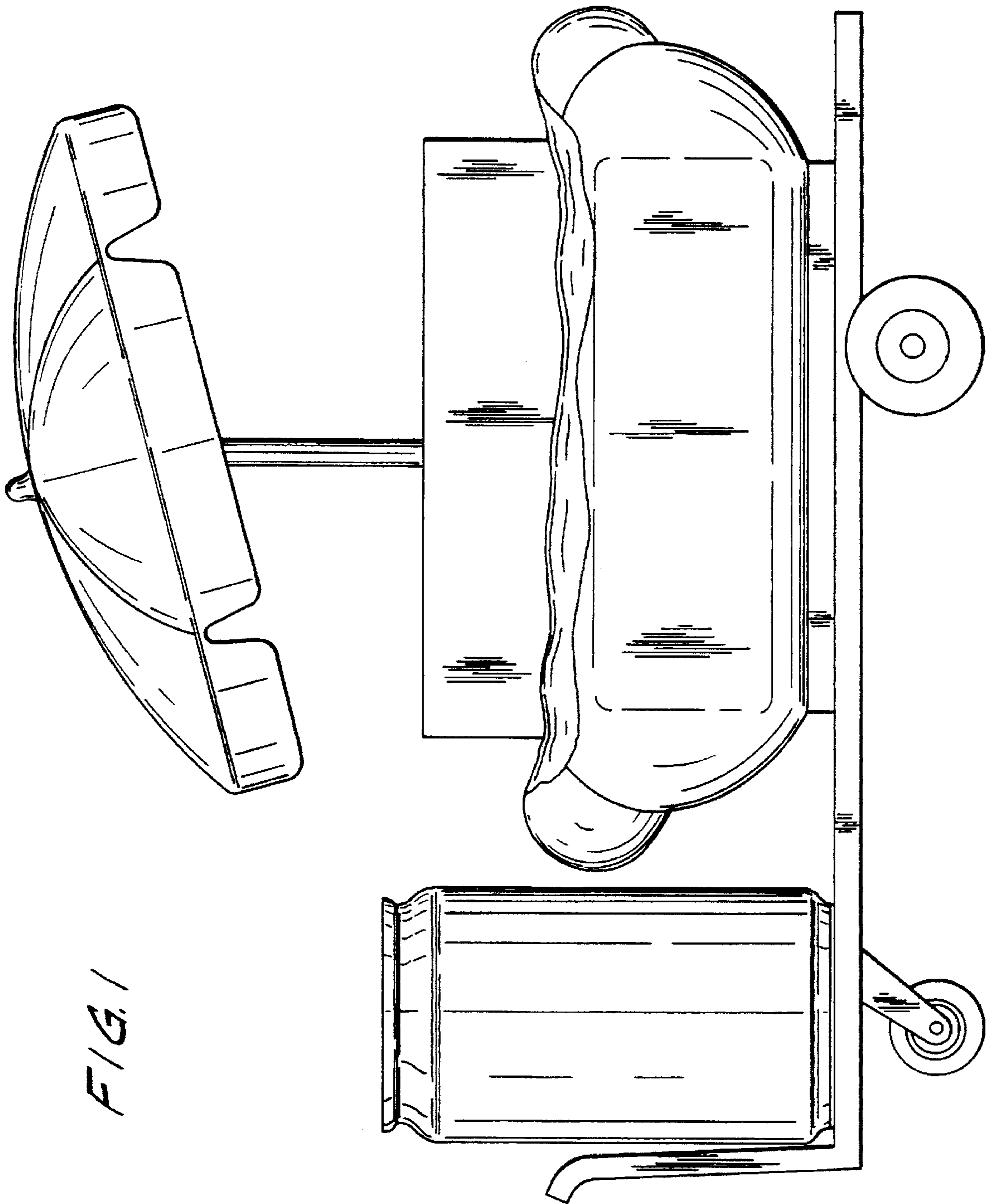


FIG. 1

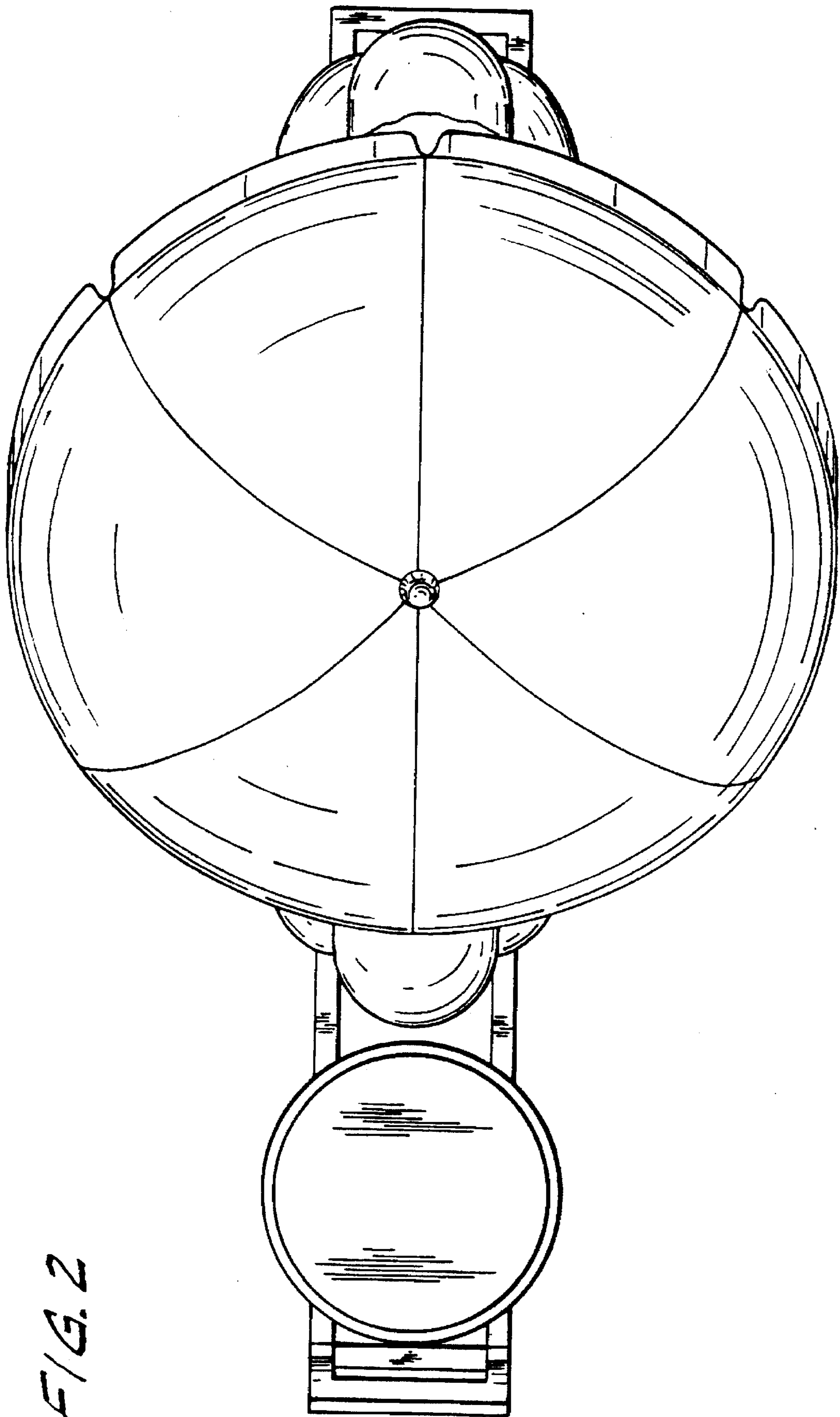


FIG. 2

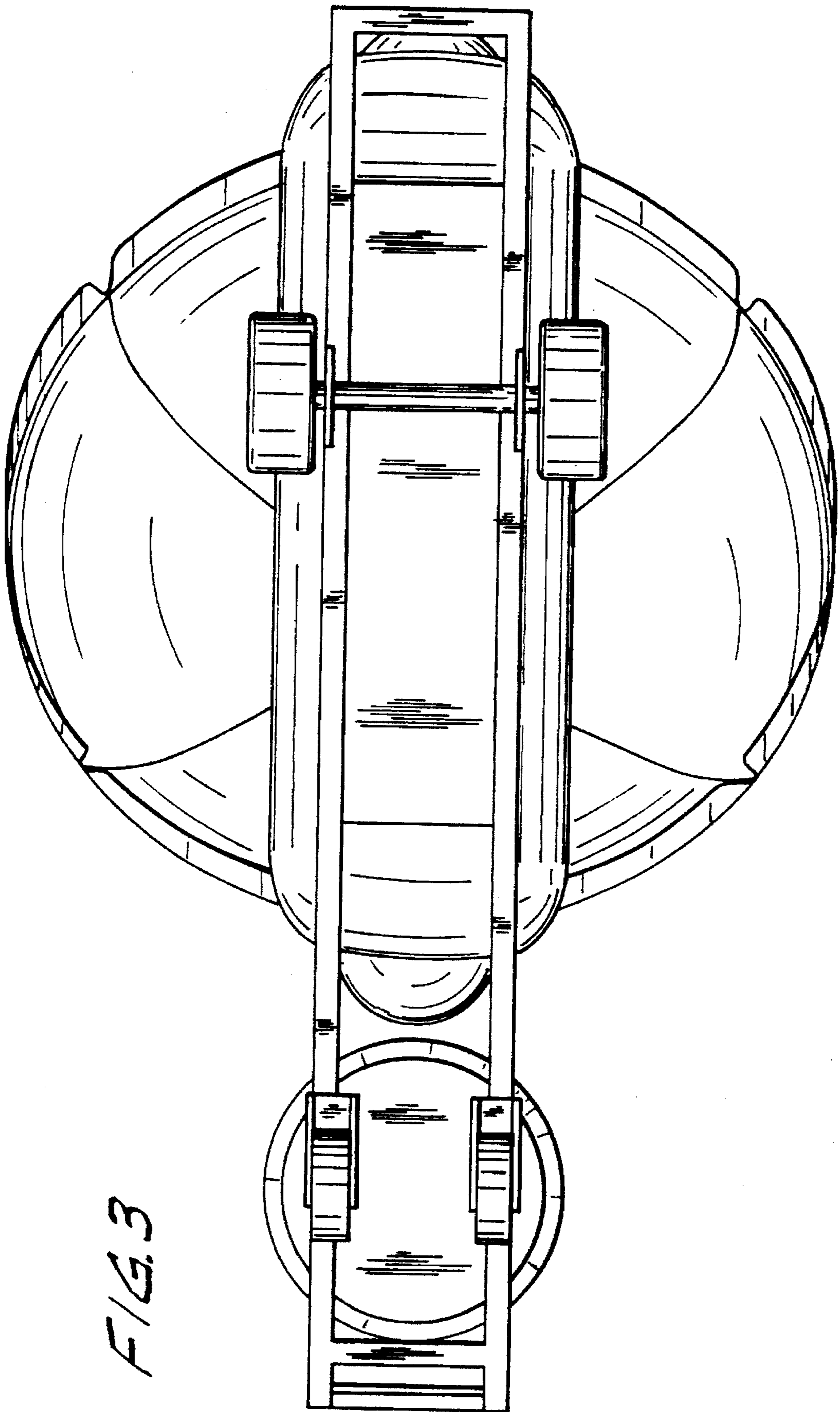


FIG. 3

FIG. 5

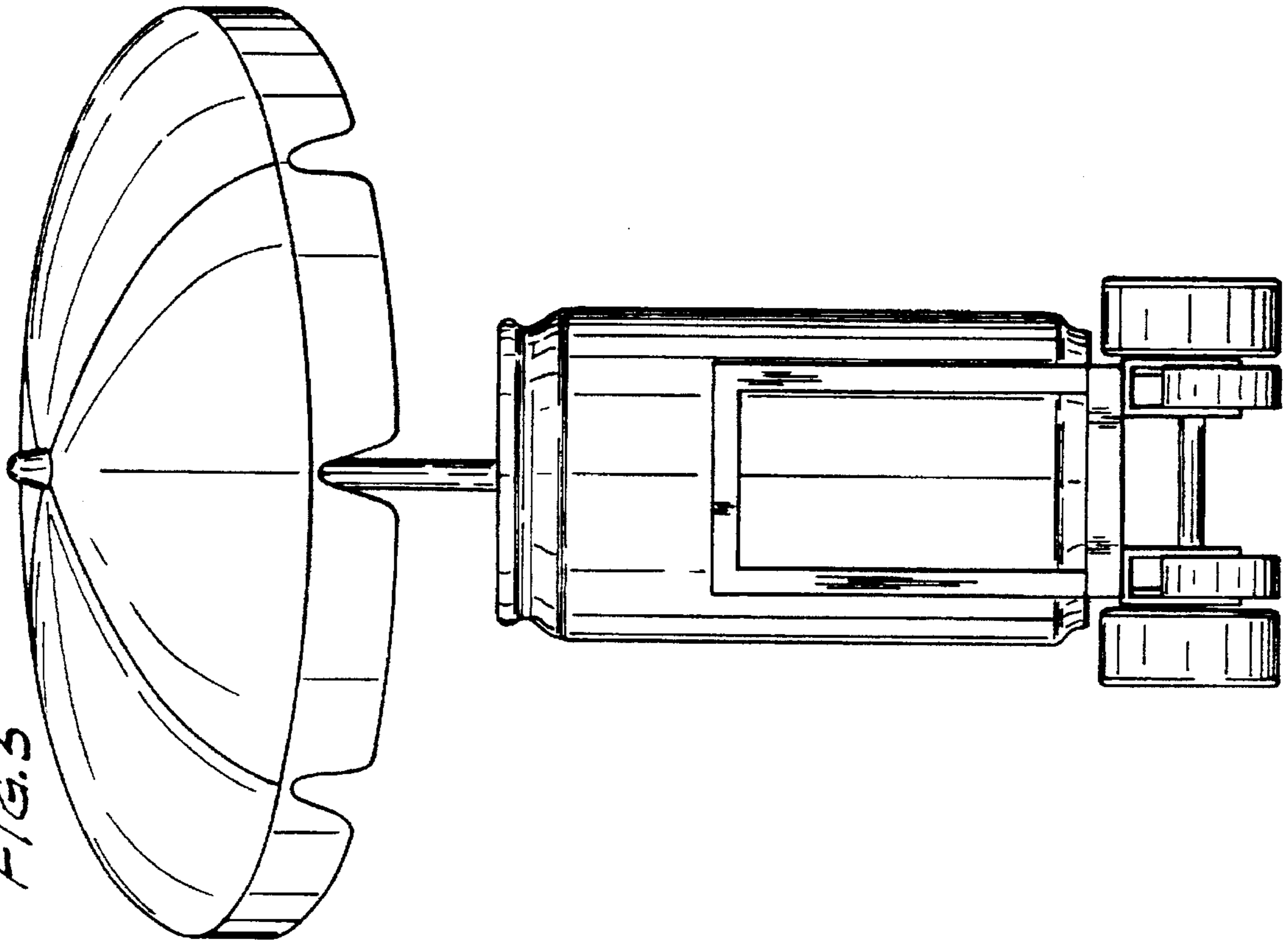
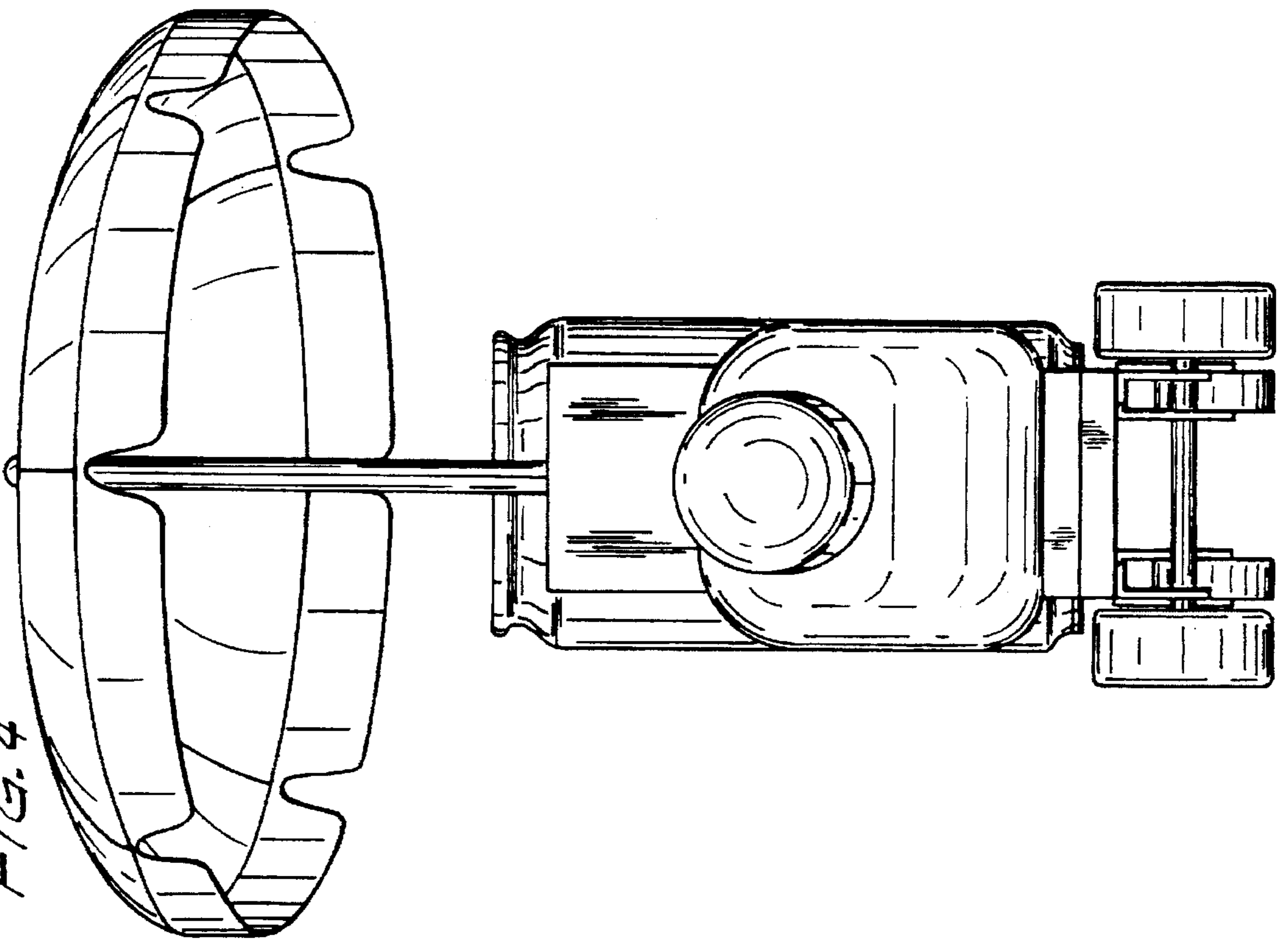


FIG. 4



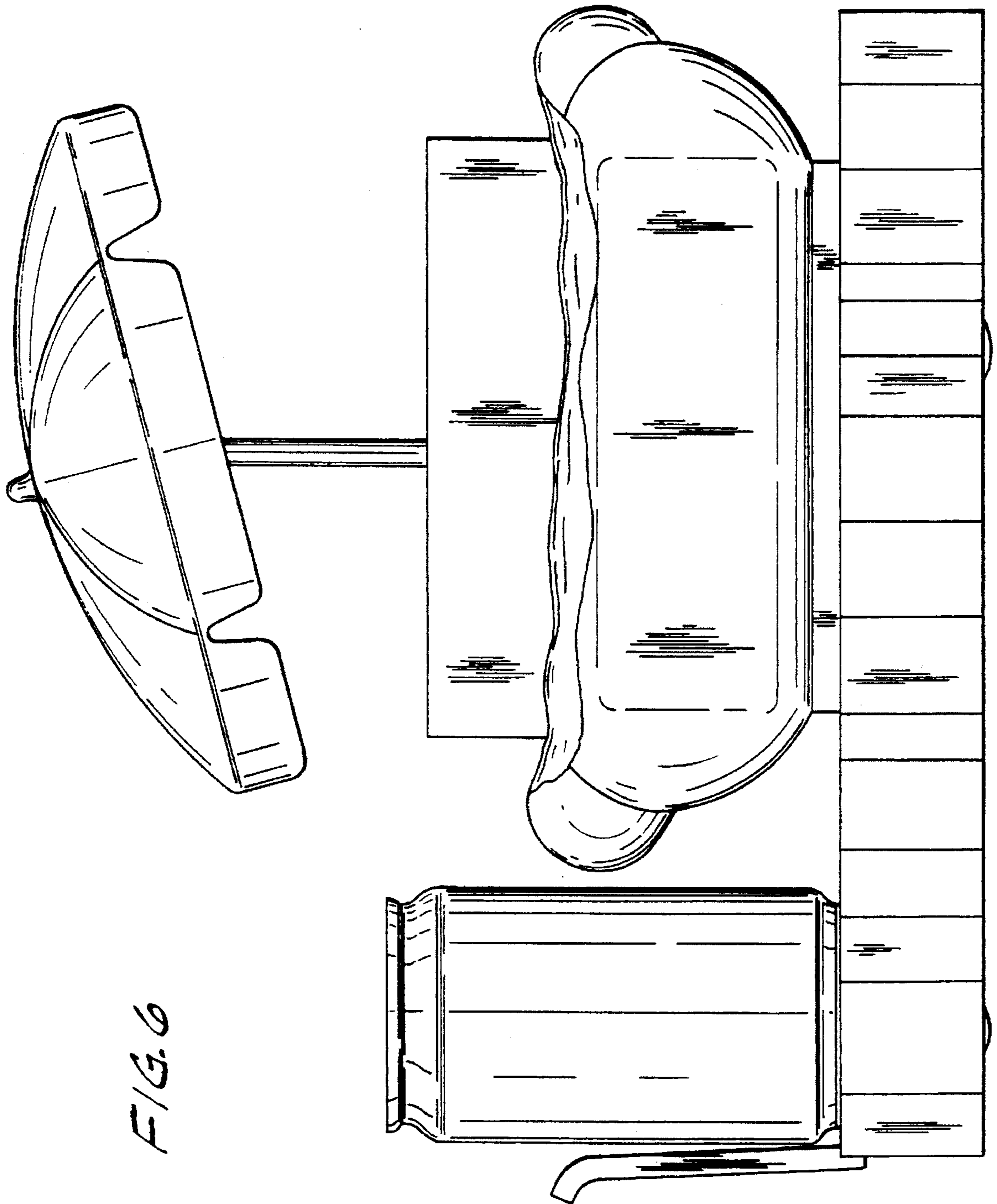


FIG. 6

