



US00D383279S

United States Patent [19]

[11] Patent Number: **Des. 383,279**

Brescia et al.

[45] Date of Patent: ****Sep. 2, 1997**

[54] TILT TRUCK

[75] Inventors: **Anthony J. Brescia**, Huntersville; **Todd E. Wright**; **Smith E. Trent, III**, both of Statesville, all of N.C.

[73] Assignee: **Toter, Incorporated**, Statesville, N.C.

[**] Term: **14 Years**

[21] Appl. No.: **44,686**

[22] Filed: **Sep. 29, 1995**

[51] LOC (6) Cl. **09-09**

[52] U.S. Cl. **D34/5**

[58] Field of Search D34/1, 5-7, 10, D34/11, 12, 19, 23; 220/908-910, 404, 334-338; 280/47.26

[56] References Cited

U.S. PATENT DOCUMENTS

D. 303,307	9/1989	Juergens	D34/5
4,558,799	12/1985	Hammond	220/337
5,235,795	8/1993	DeBusk	220/908
5,445,397	8/1995	Evans	280/47.26

OTHER PUBLICATIONS

Tilt Trucks; Rubbermaid Food Service Catalog 1982.

Copies of Rubbermaid brochure; pp. 4 & 5; date unknown but admitted prior art.

Catalog Sheets of Toter Incorporated; B116; Apr. 1991.

Primary Examiner—A. Hugo Word

Assistant Examiner—Robin V. Taylor

Attorney, Agent, or Firm—Rhodes, Coats & Bennett, L.L.P.

[57] CLAIM

The ornamental design for a tilt truck, as shown and described.

DESCRIPTION

FIG. 1 is a front perspective view of a tilt truck showing my new design;

FIG. 2 is a rear perspective view thereof;

FIG. 3 is a front elevational view thereof;

FIG. 4 is a rear elevational view thereof;

FIG. 5 is a side elevational view, the opposite side elevational view being a mirror image;

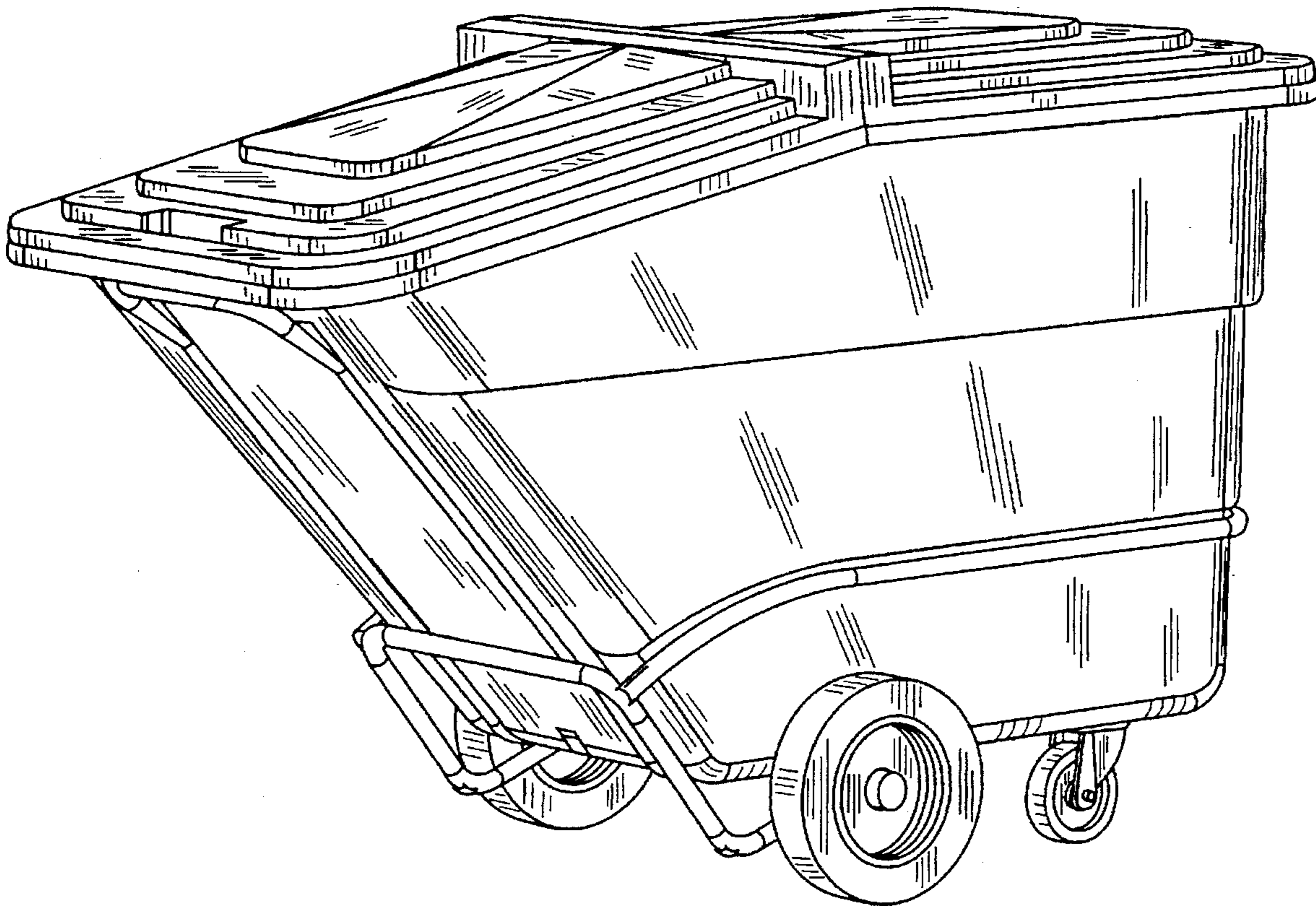
FIG. 6 is a top plan view thereof;

FIG. 7 is a bottom plan view thereof;

FIG. 8 is a bottom perspective view thereof; and,

FIG. 9 is a front-perspective view, similar to FIG. 1 except illustrating the tilt truck of FIG. 1 with the lid removed.

1 Claim, 9 Drawing Sheets



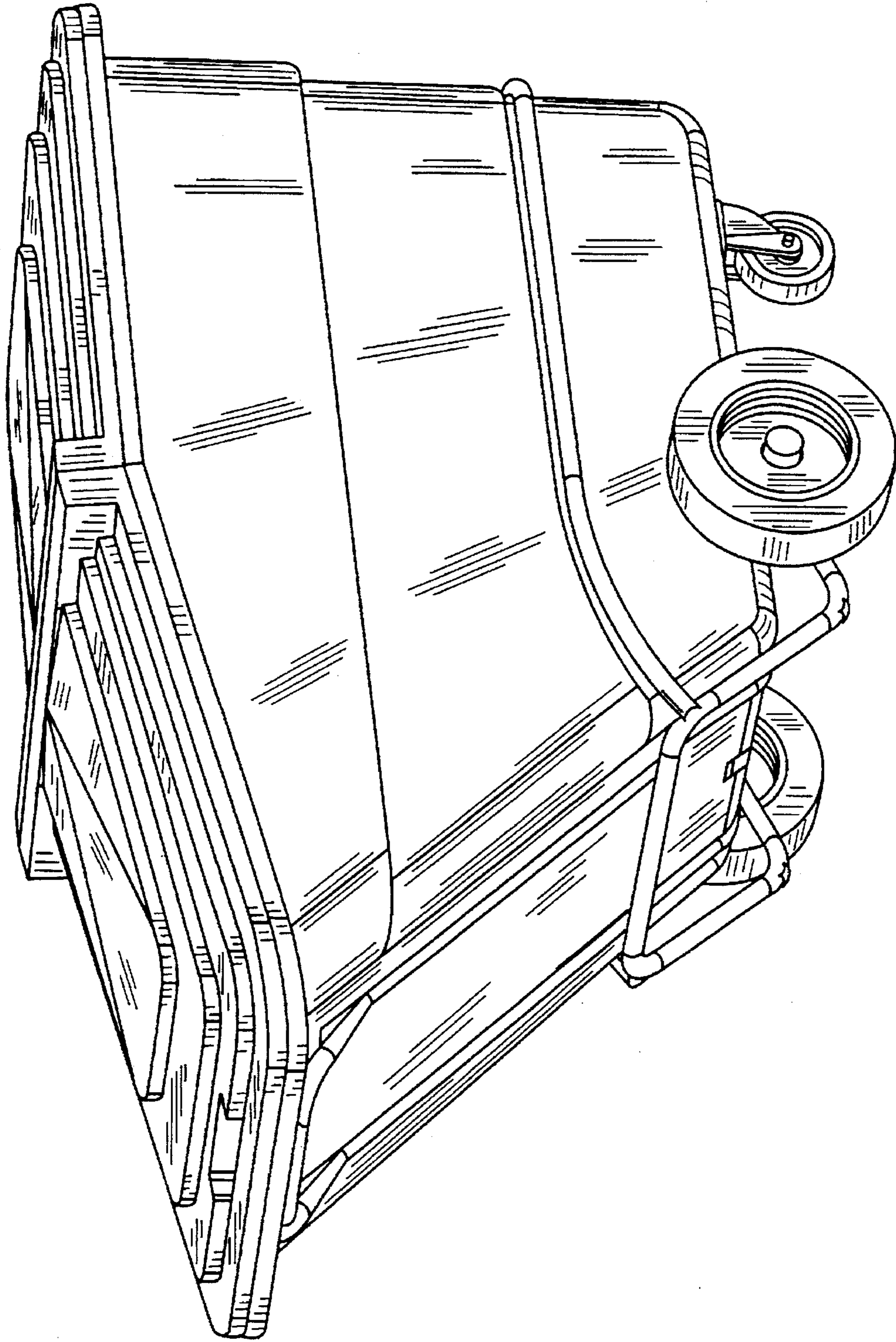


FIG. 1

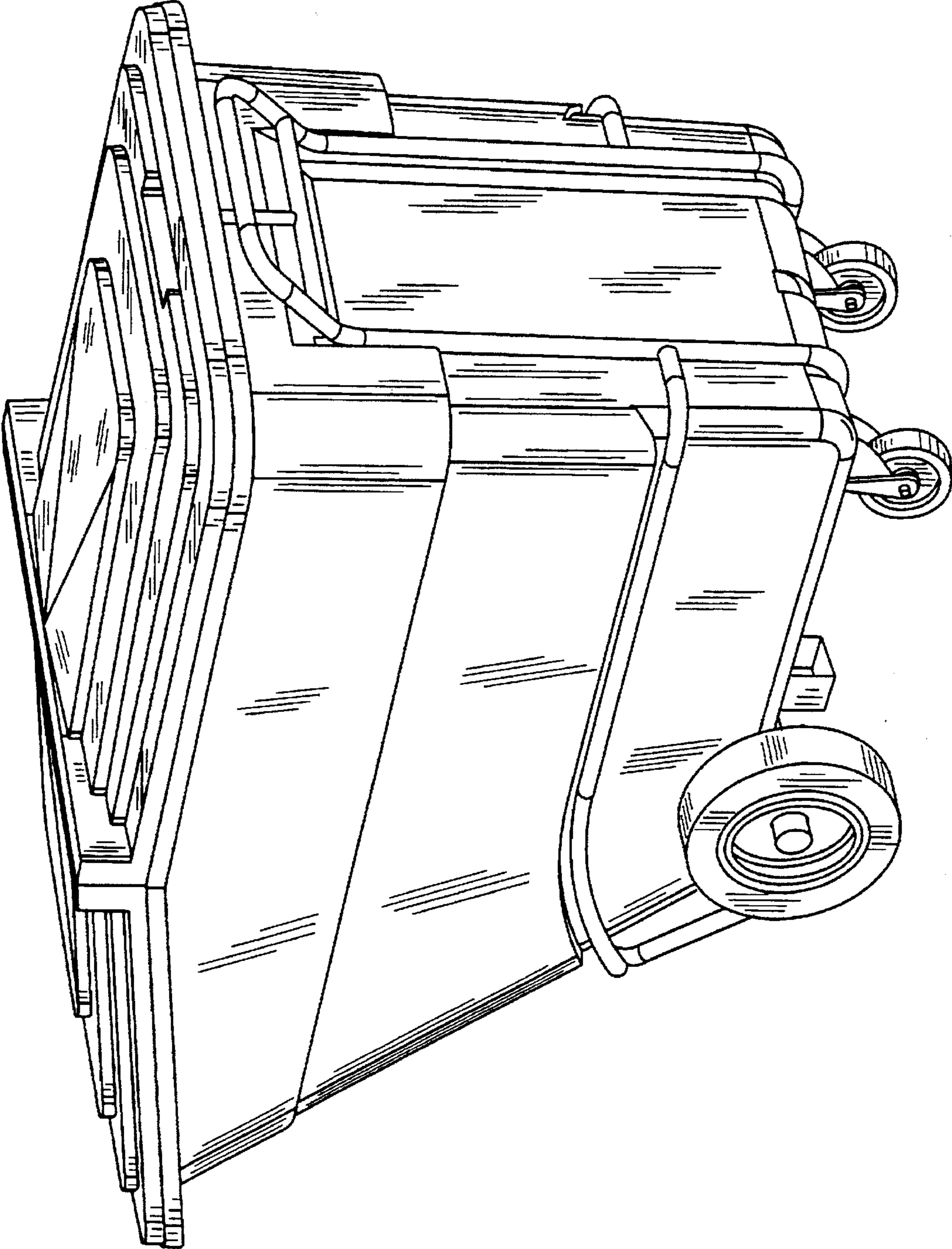


FIG. 2

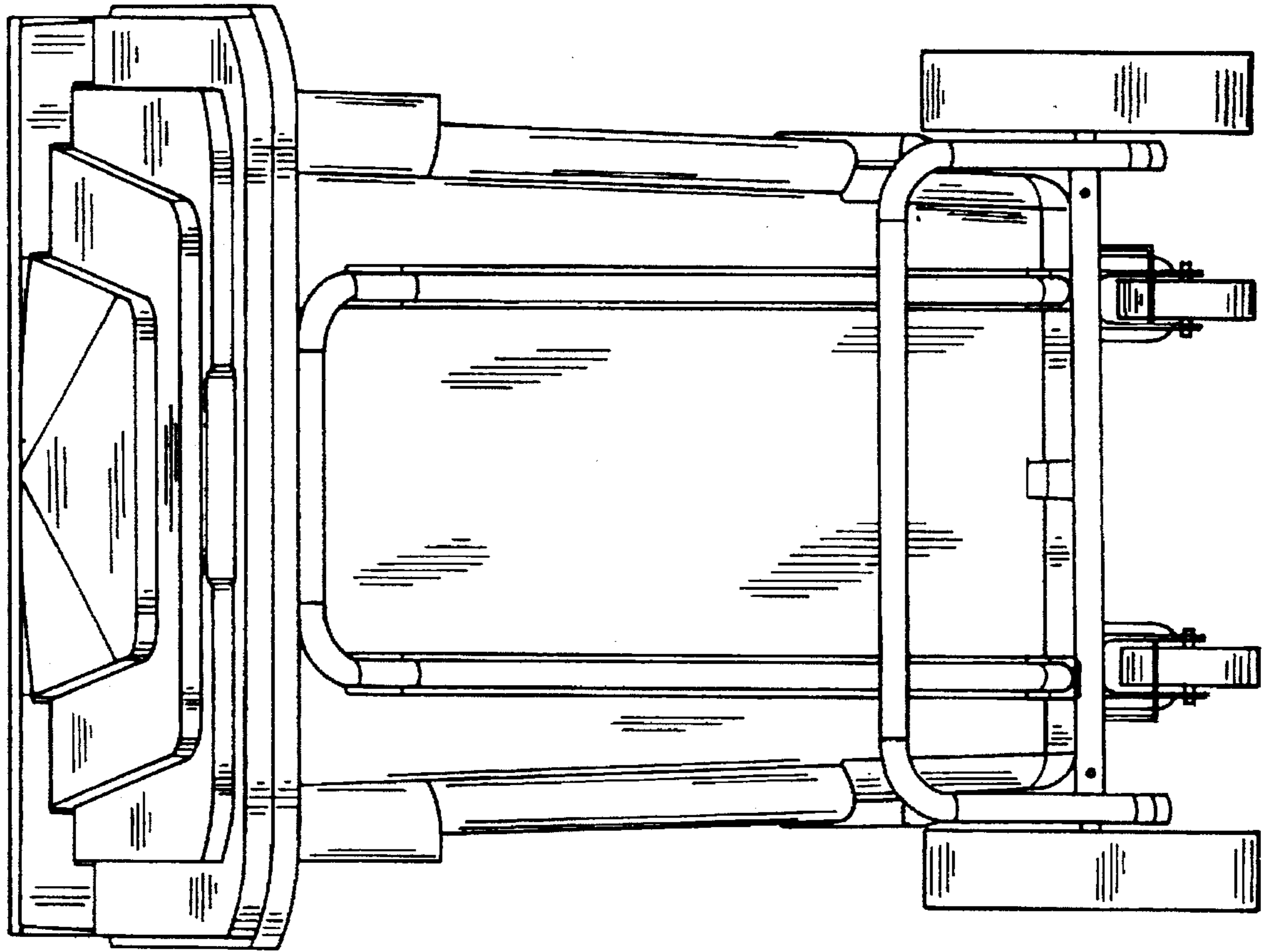


FIG. 3

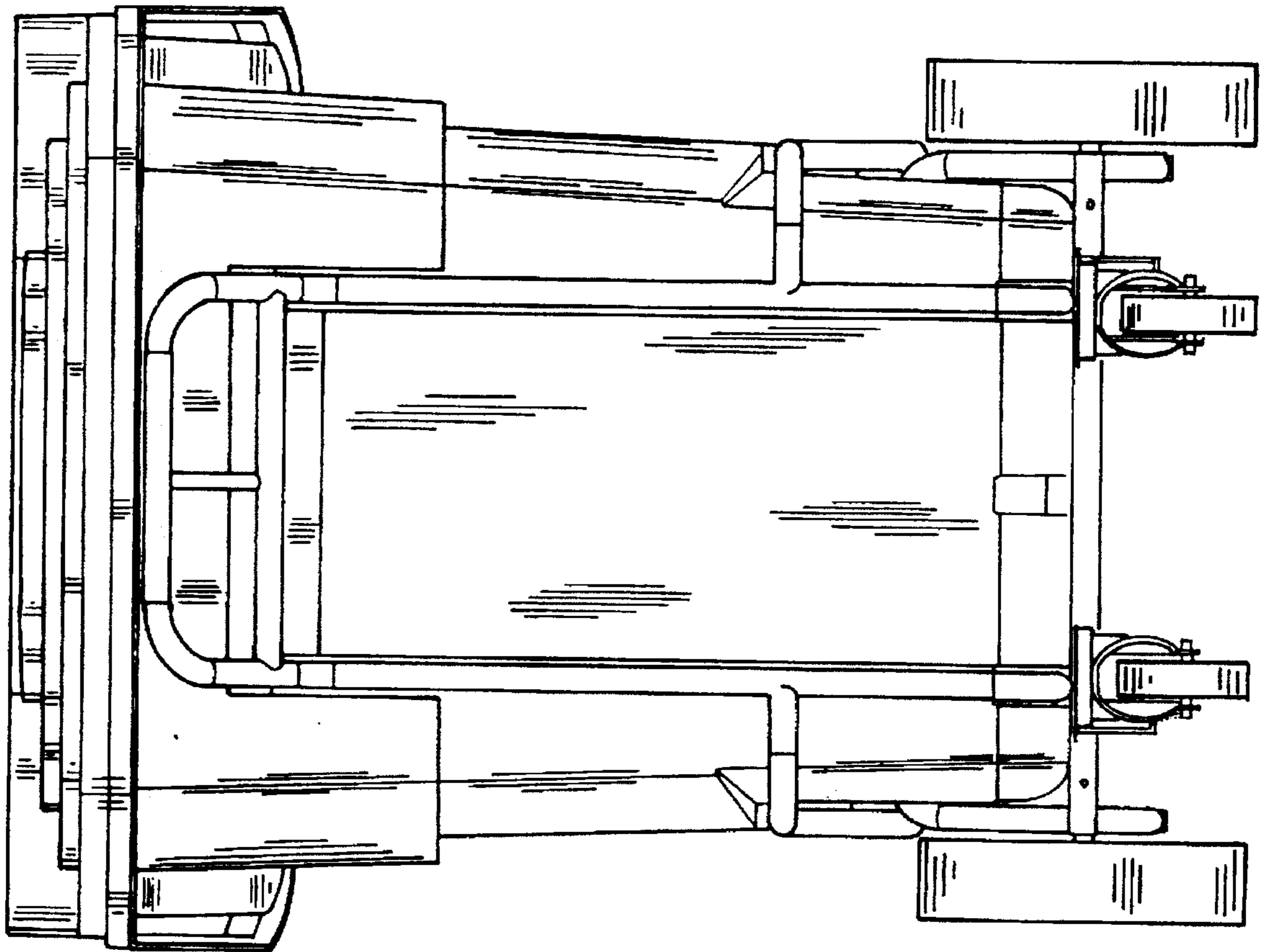


FIG. 4

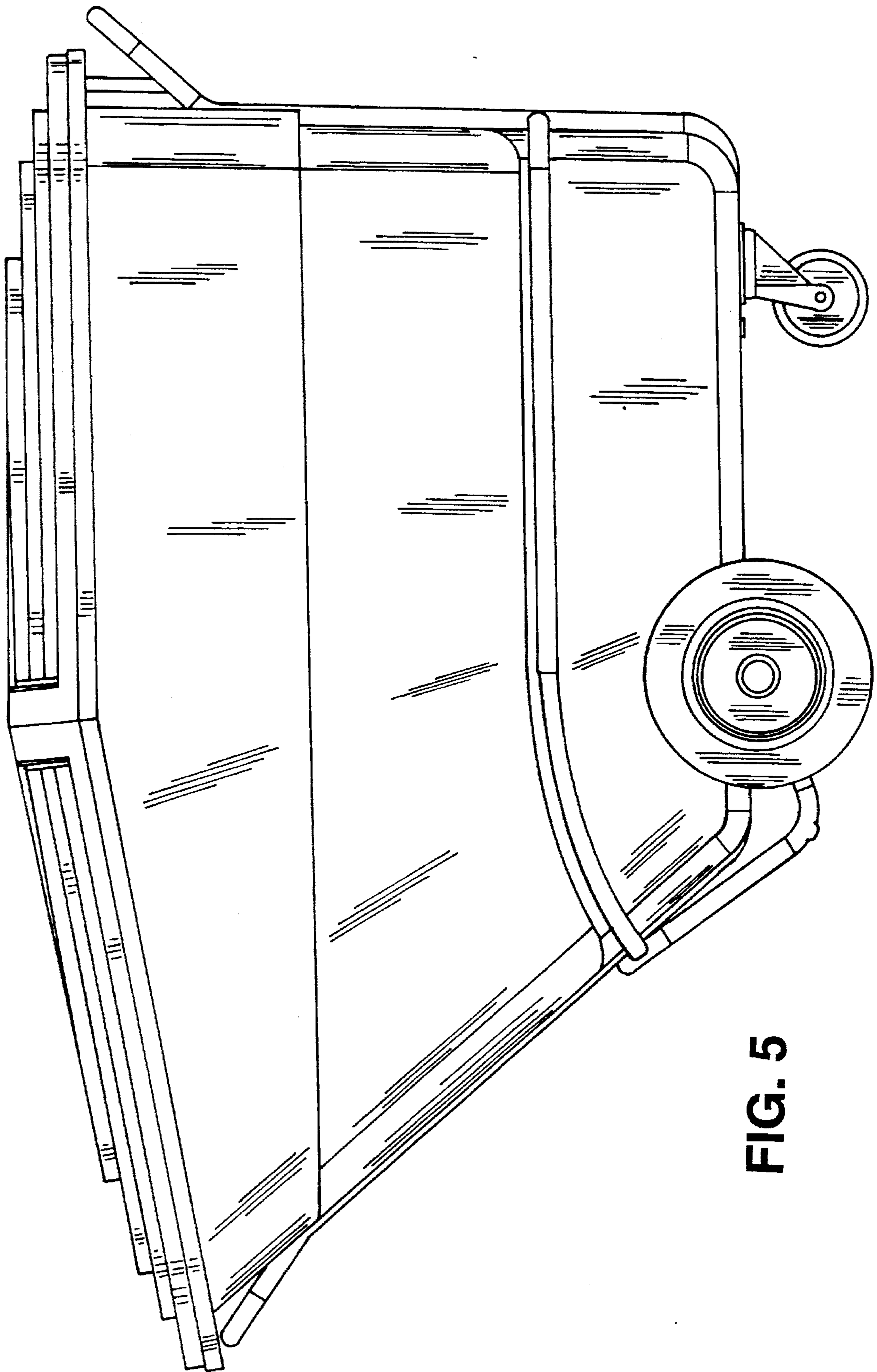


FIG. 5

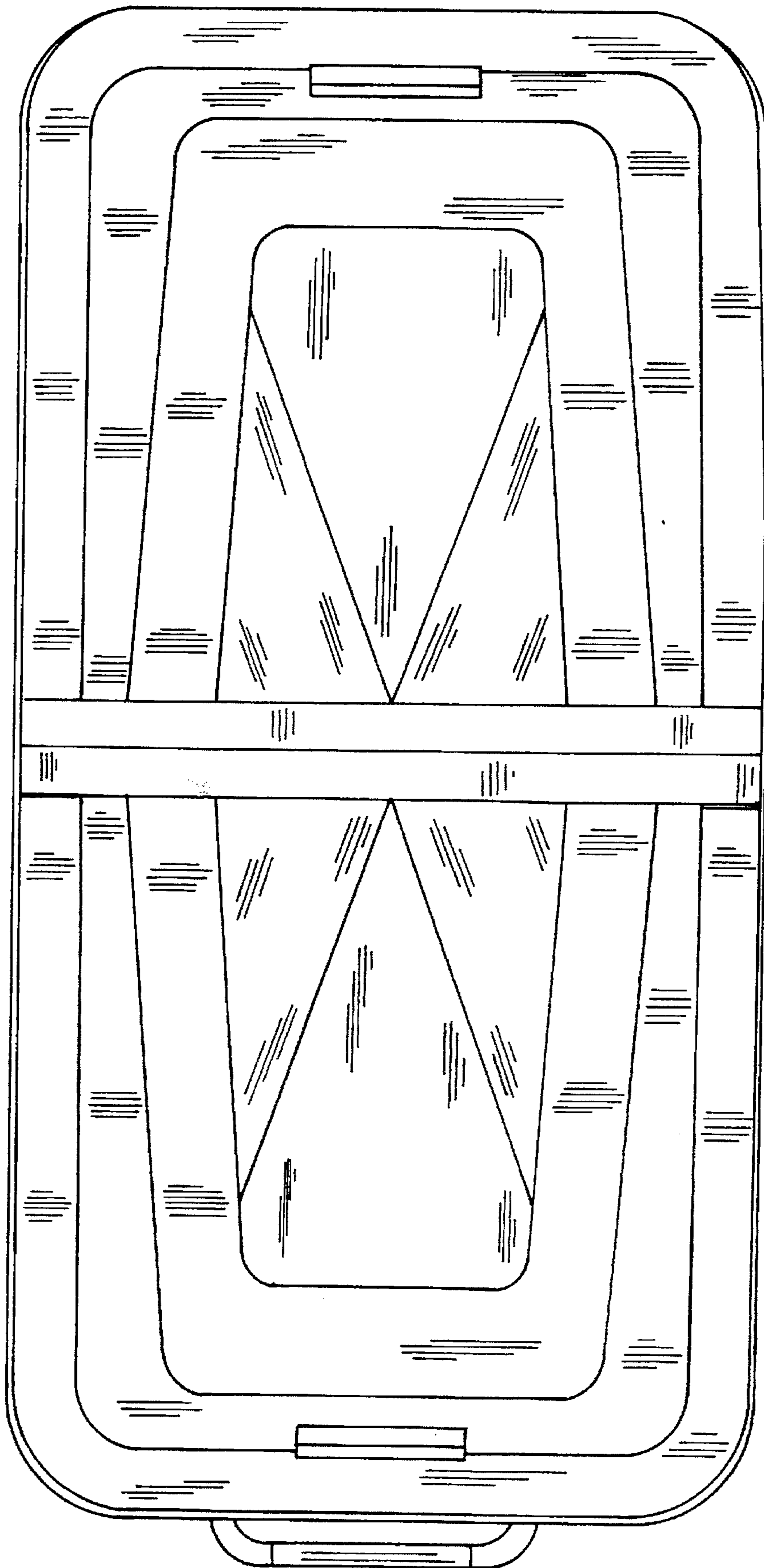


FIG. 6

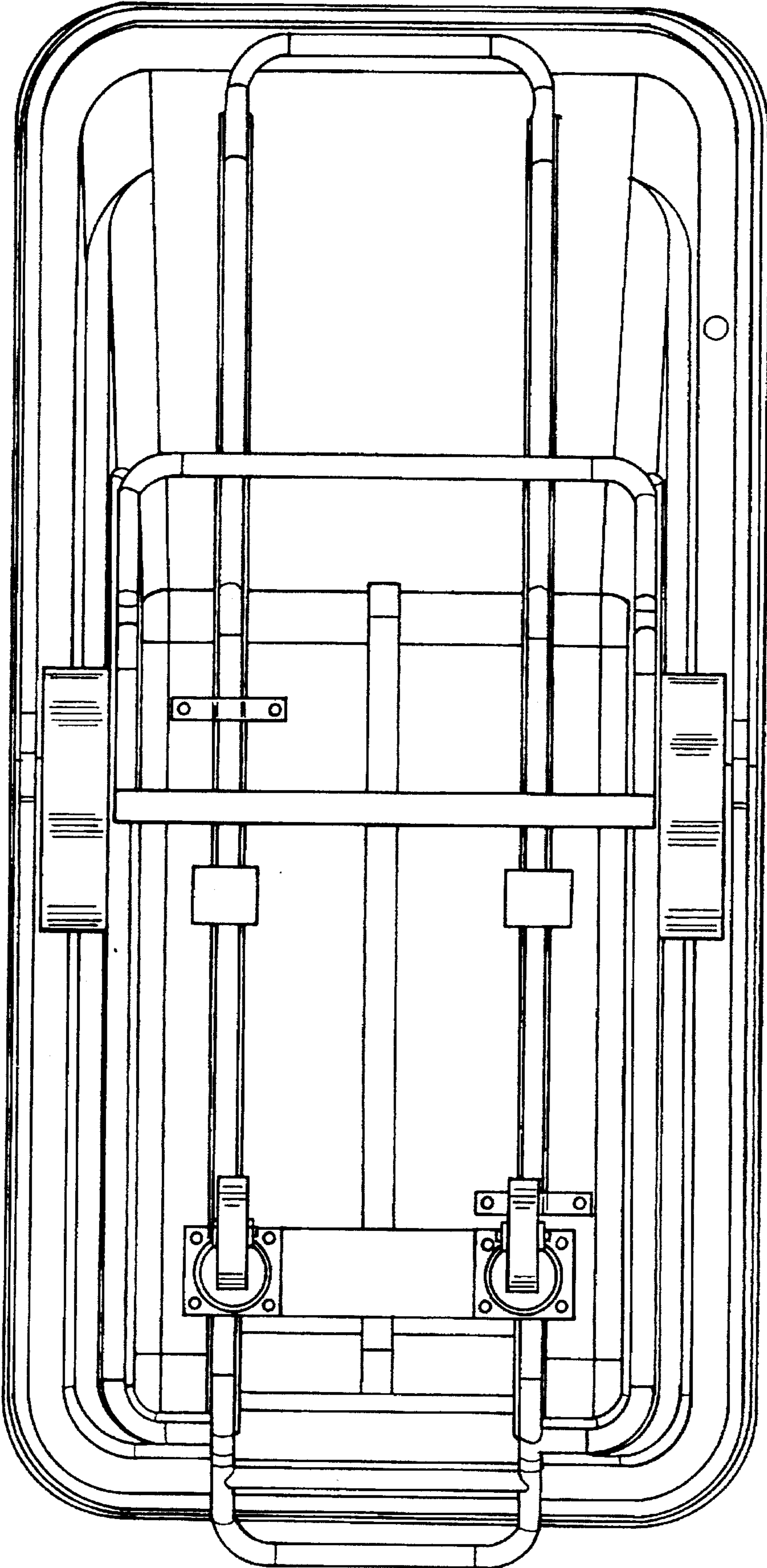
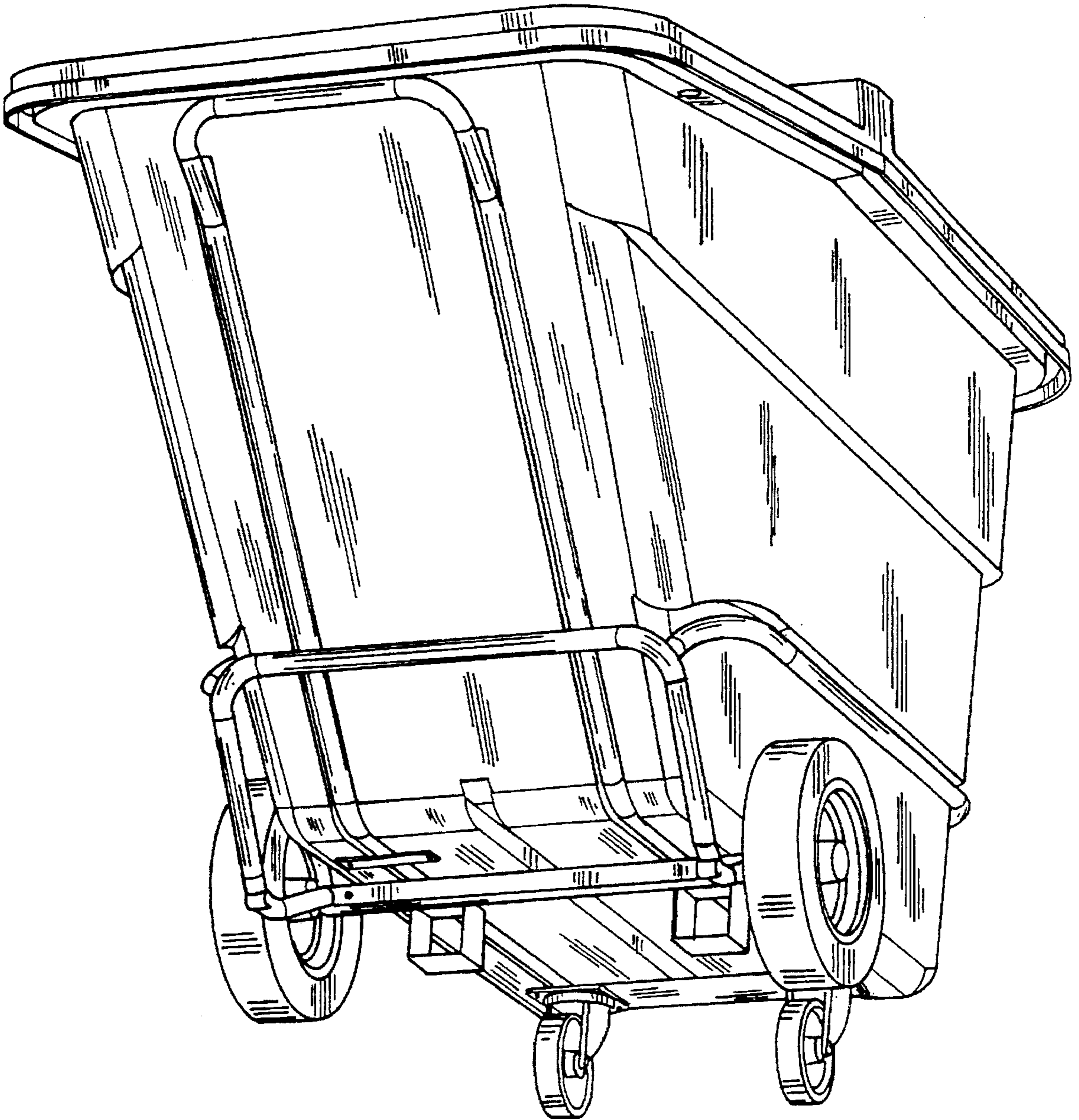


FIG. 7

FIG.8



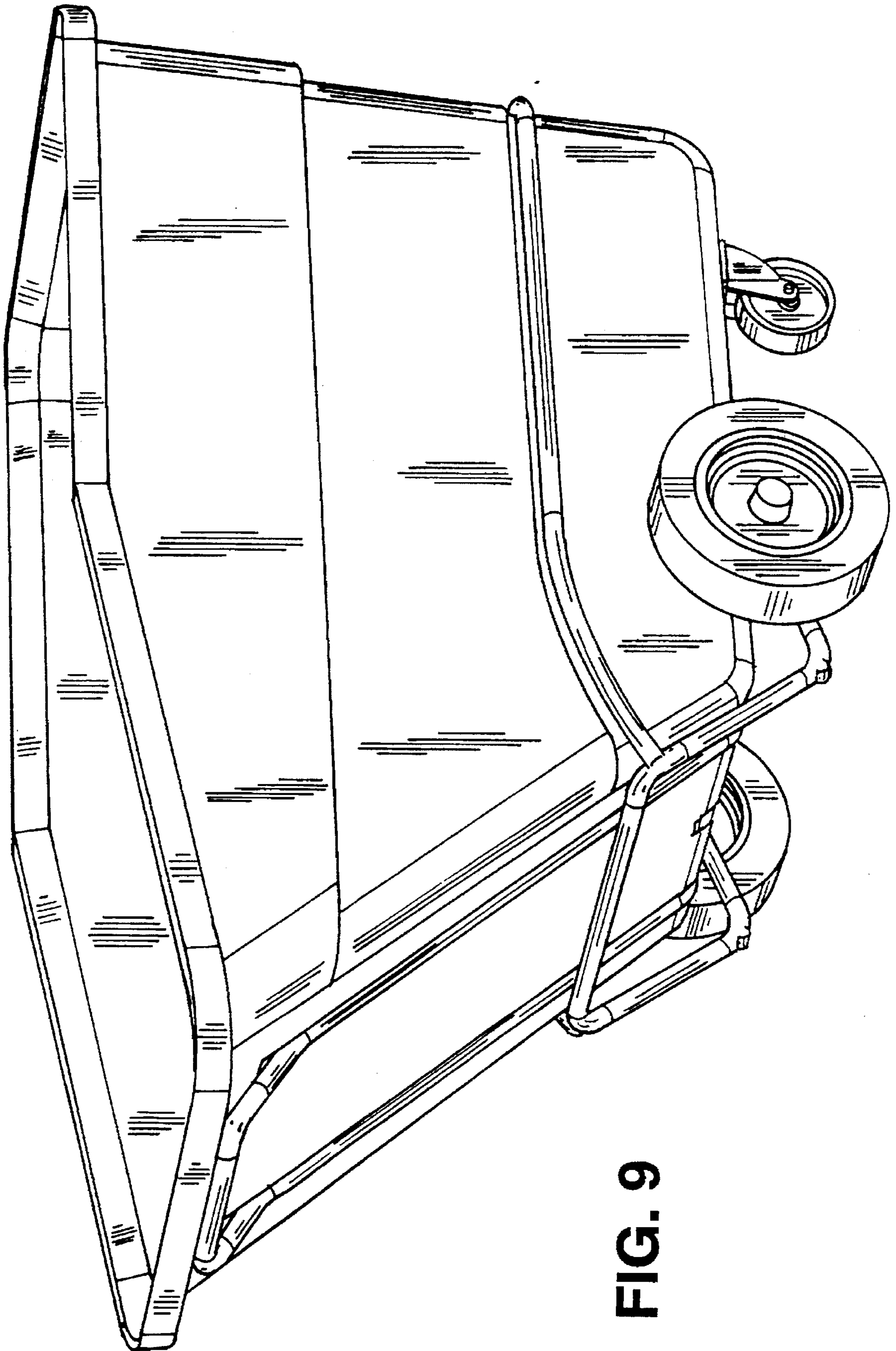


FIG. 9