



US00D383276S

United States Patent [19] Janney

[11] Patent Number: **Des. 383,276**

[45] Date of Patent: ****Sep. 2, 1997**

[54] **APPAREL DRYER**

[76] Inventor: **David W. Janney**, 701 Creekside Ct.,
Roseville, Calif. 95678

[**] Term: **14 Years**

[21] Appl. No.: **54,691**

[22] Filed: **May 20, 1996**

[51] LOC (6) Cl. **07-05**

[52] U.S. Cl. **D32/58**

[58] Field of Search D32/58, 59; 223/113,
223/66, 69; 34/103, 104, 106, 437, 440,
239

4,265,030	5/1981	Smallegan	34/104
4,596,078	6/1986	McCartney .	
4,915,271	4/1990	Champagne	223/69
5,058,289	10/1991	Guindon	34/104
5,394,621	3/1995	Levy	34/103
5,406,717	4/1995	Dofka	34/104

Primary Examiner—A. Hugo Word
Assistant Examiner—Robin V. Taylor
Attorney, Agent, or Firm—Dowell & Dowell

[57] CLAIM

The ornamental design for an apparel dryer, as shown and described.

DESCRIPTION

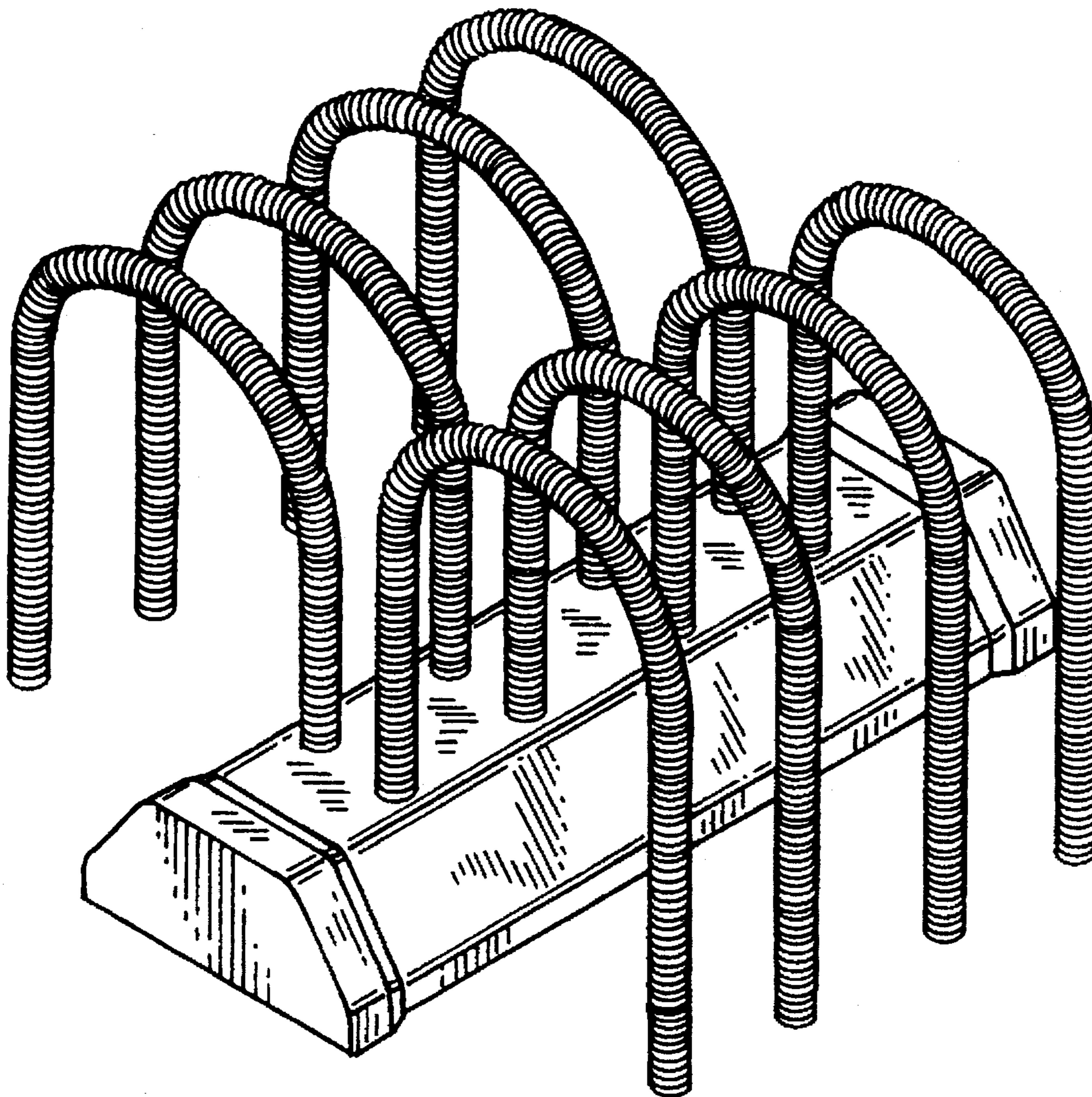
FIG. 1 is a front view of a apparel dryer showing my new design, the rear view being a mirror image;
FIG. 2 is a right side view thereof, a view from left side being a mirror image;
FIG. 3 is a bottom plan view thereof;
FIG. 4 is a top plan view thereof; and,
FIG. 5 is a front perspective view thereof.

1 Claim, 3 Drawing Sheets

[56] References Cited

U.S. PATENT DOCUMENTS

D. 310,742	9/1990	Johnson	D32/58
D. 347,094	5/1994	Christensen	D32/58
3,449,838	6/1969	Chancellor .	
3,866,336	2/1975	Bereza .	
4,085,519	4/1978	Masika .	
4,136,464	1/1979	Hay .	



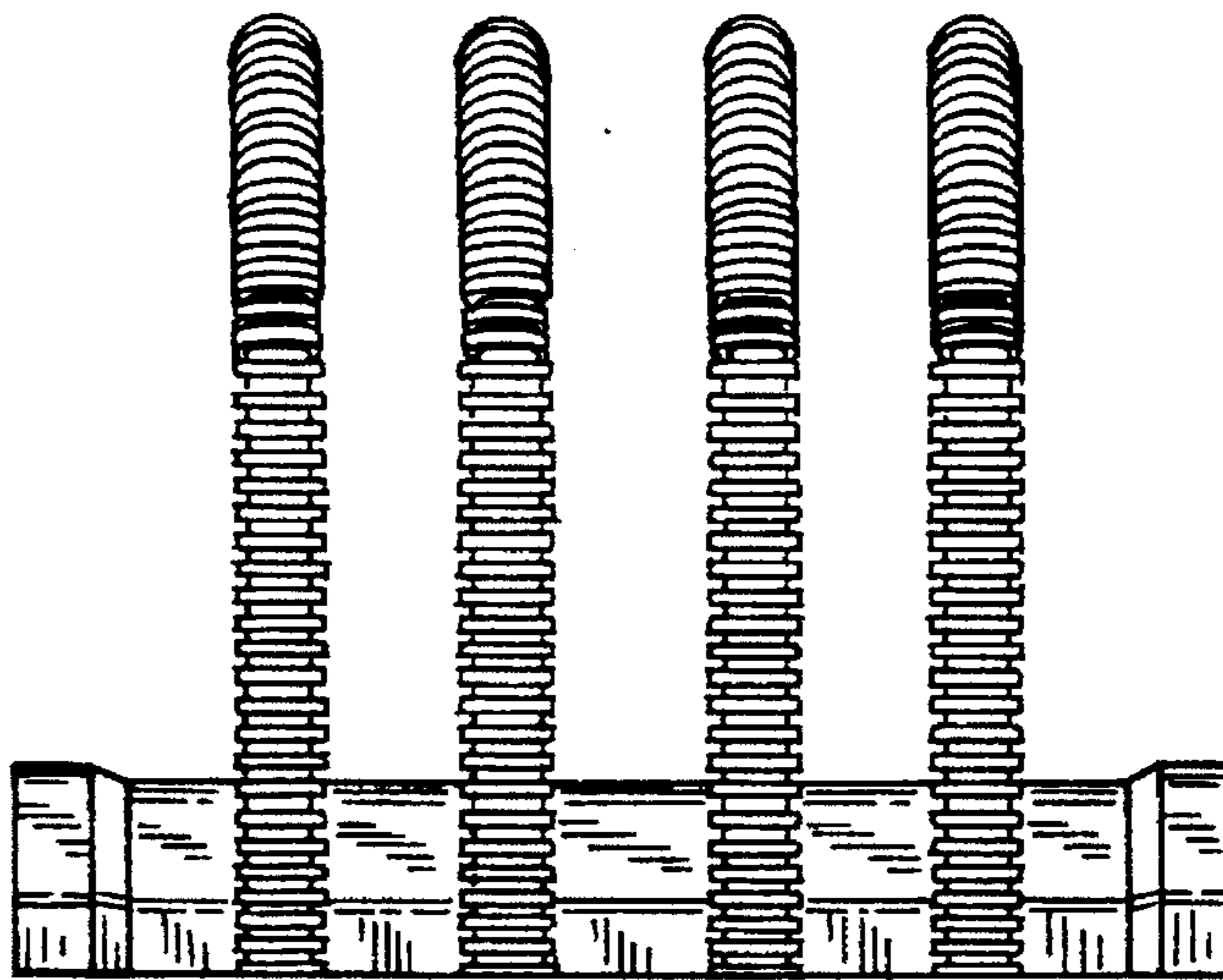


FIG. 1

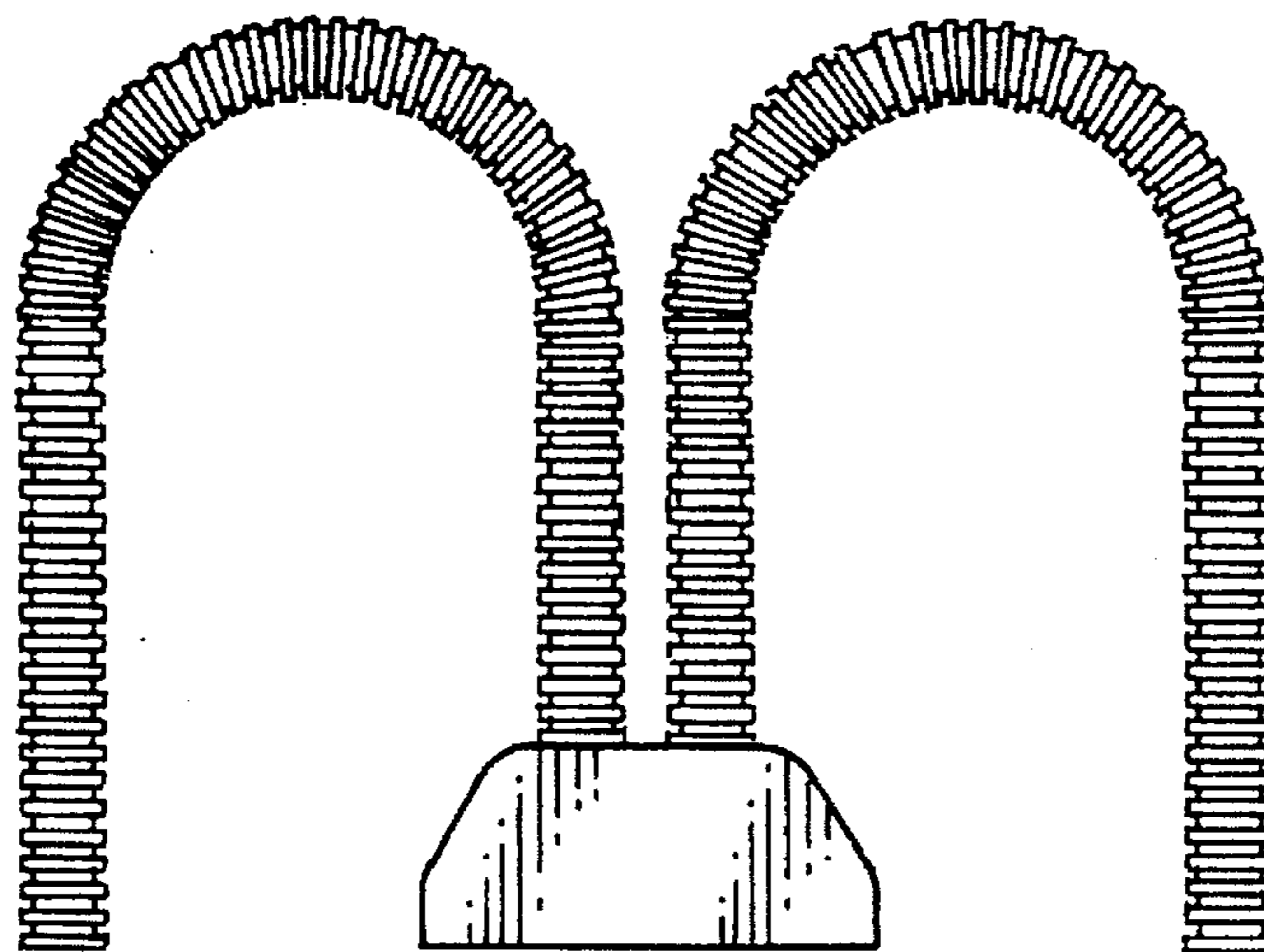


FIG. 2

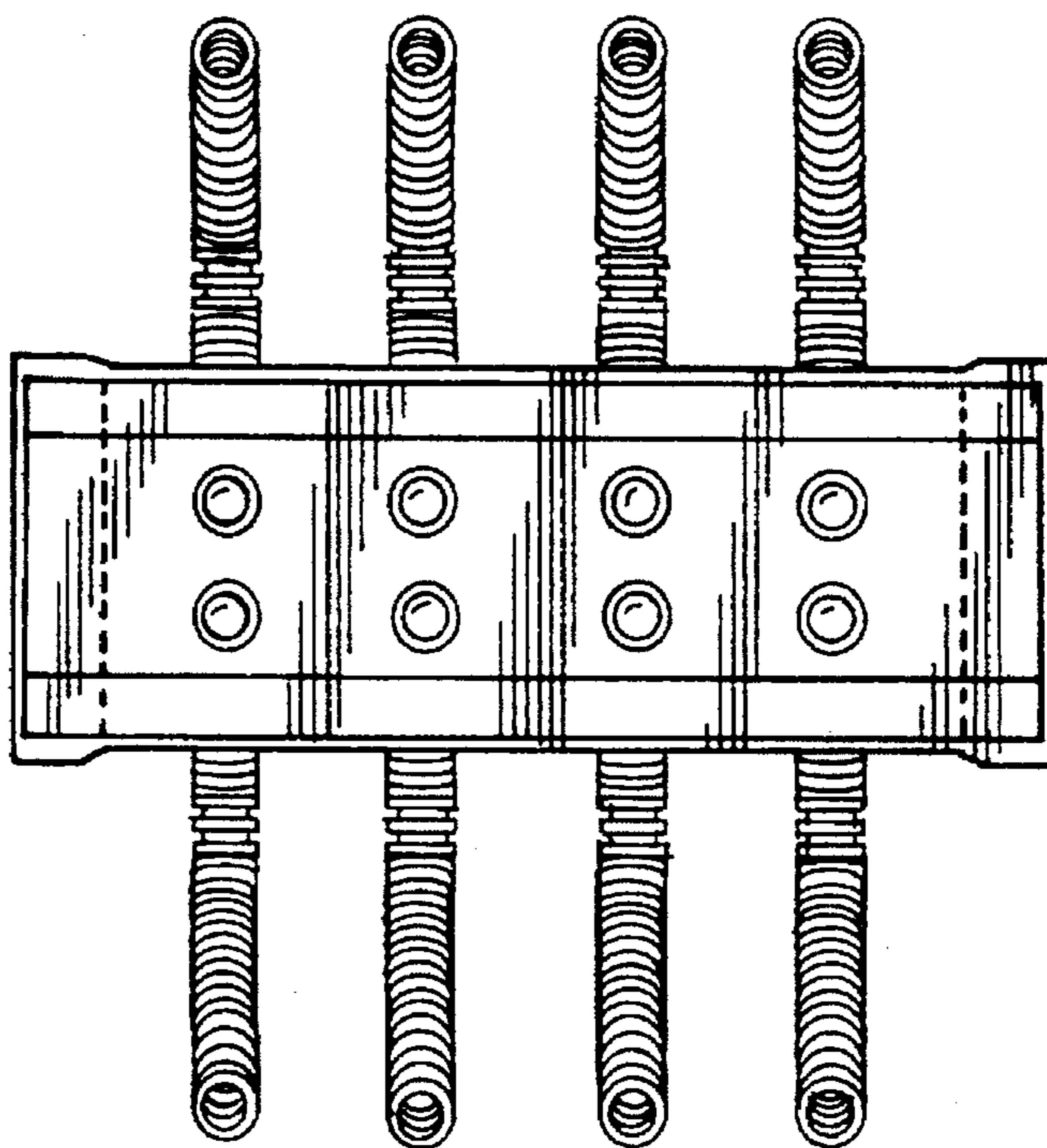


FIG. 3

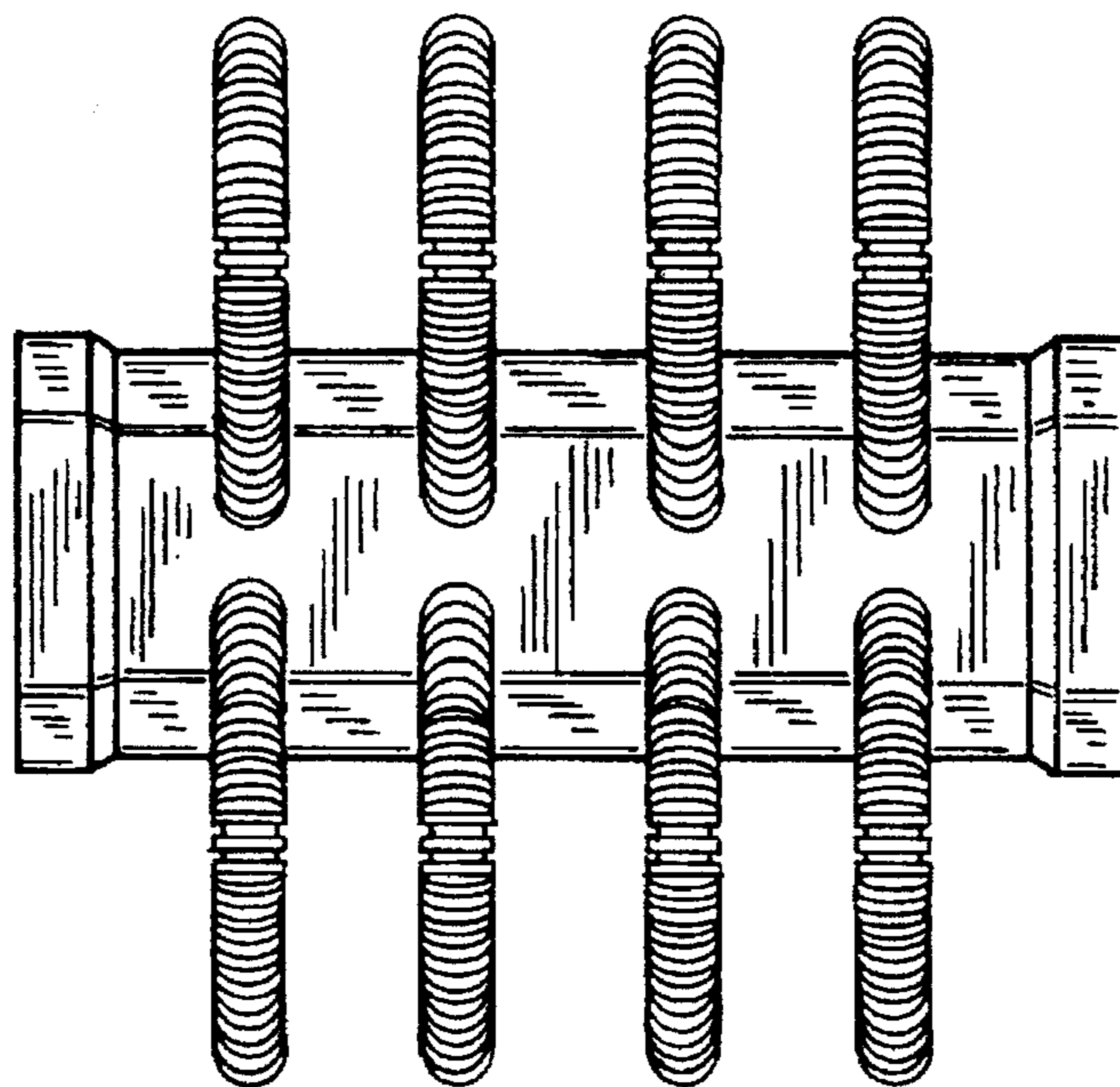


FIG. 4

FIG. 5

