



US00D383274S

# United States Patent [19]

[11] Patent Number: **Des. 383,274**

Wilson

[45] Date of Patent: **\*\*Sep. 2, 1997**

[54] **COLLAPSIBLE, UNDER CABINET-MOUNTED DRYING RACK FOR SANDWICH BAGS**

*Primary Examiner*—A. Hugo Word  
*Assistant Examiner*—Robin V. Taylor  
*Attorney, Agent, or Firm*—Norton R. Townsley

[76] Inventor: **Erin Lee Wilson**, 42 Gaviota Ave., Long Beach, Calif. 90802

[57] **CLAIM**

[\*\*] Term: **14 Years**

The ornamental design for the collapsible, under cabinet-mounted drying rack for sandwich bags, as shown and described.

[21] Appl. No.: **45,719**

**DESCRIPTION**

[22] Filed: **Oct. 27, 1995**

FIG. 1 is a bottom, front perspective view of the drying rack showing my new design;

[51] LOC (6) Cl. .... **07-05**

FIG. 2 is a front elevation view thereof;

[52] U.S. Cl. .... **D32/58; D6/513**

FIG. 3 is a rear elevation view thereof;

[58] **Field of Search** ..... D32/58, 59, 60; D6/513, 517; D7/201, 601, 620; 223/66, 113, 114; 34/103, 104, 239, 437, 440; 211/86, 94, 104

FIG. 4 is a bottom plan view thereof;

FIG. 5 is a top view thereof;

FIG. 6 is a right side elevation view thereof;

FIG. 7 is a left side elevation view thereof;

FIG. 8 is a bottom perspective view thereof in an alternative position;

FIG. 9 is an exploded view thereof; and,

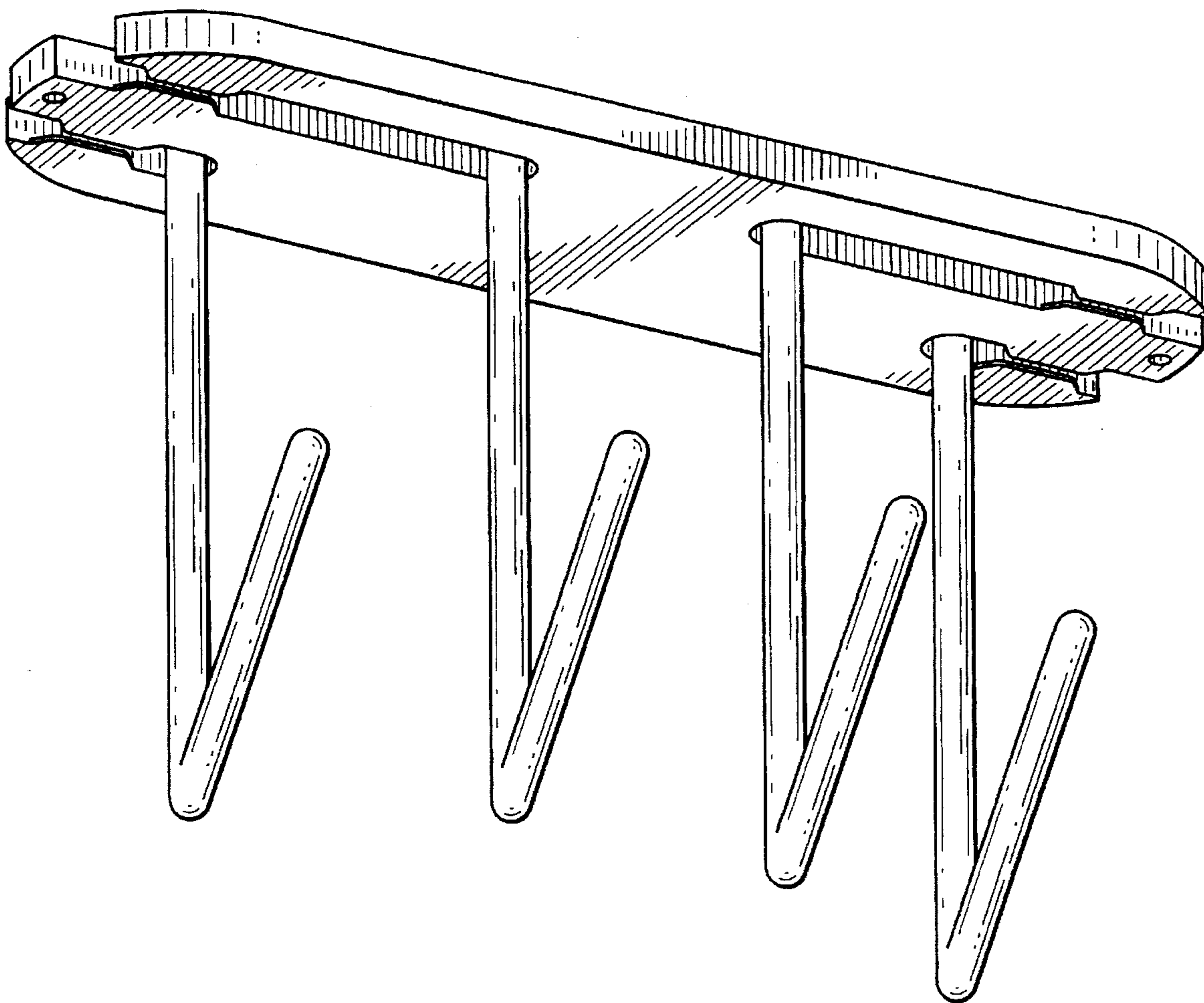
FIG. 10 is a bottom, front perspective view thereof with the broken line showing of environmental association matter being for illustrative purposes only and forming no part of the claimed design.

[56] **References Cited**

**U.S. PATENT DOCUMENTS**

43,905	8/1864	Fickett	.....	211/104
D. 280,046	8/1985	Benedict	.....	D6/513
1,172,937	2/1916	Butcher	.....	D6/514
2,333,713	11/1943	Eiben	.....	34/437
5,183,162	2/1993	Ritzenthaler	.....	211/94

**1 Claim, 5 Drawing Sheets**



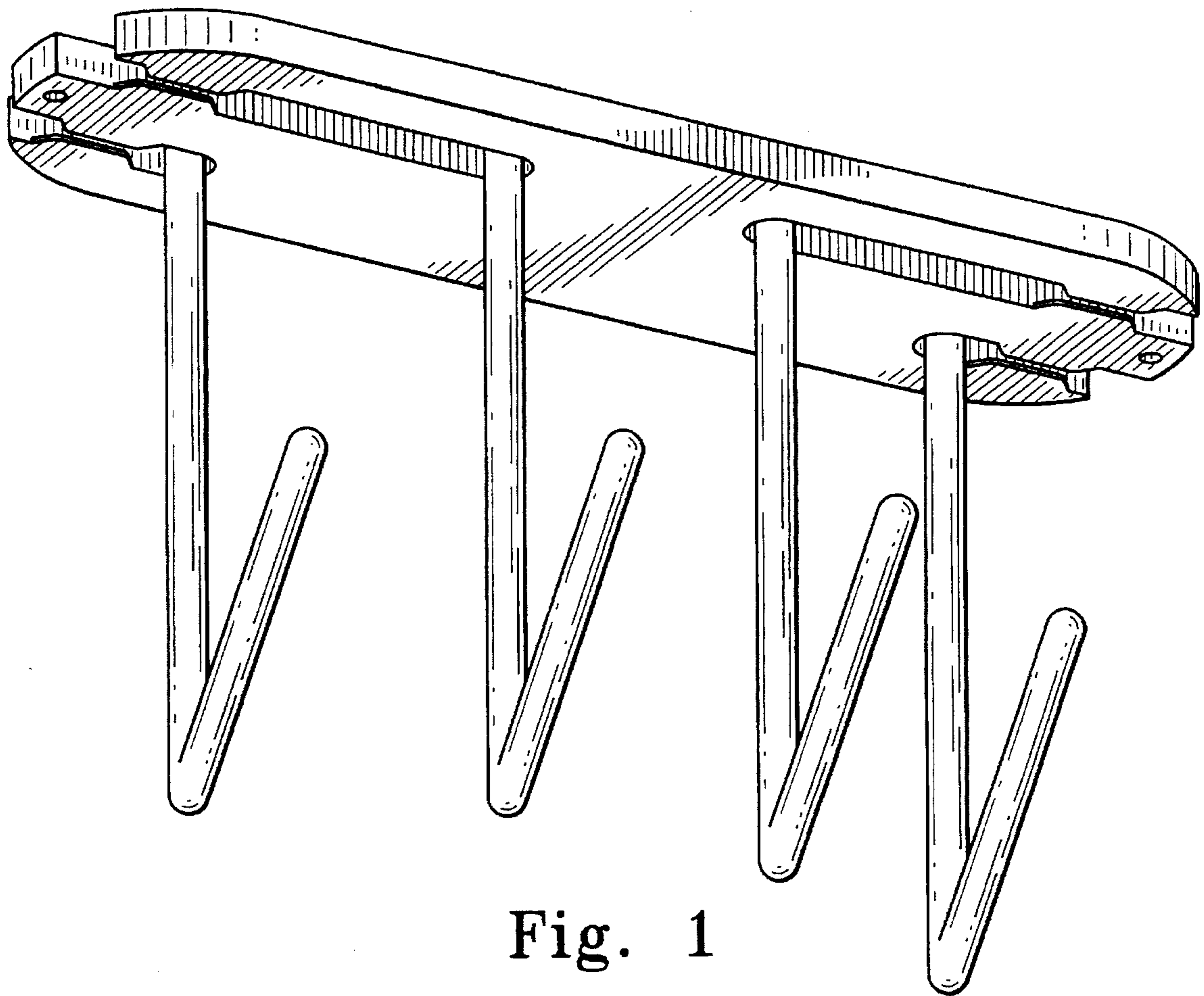


Fig. 1

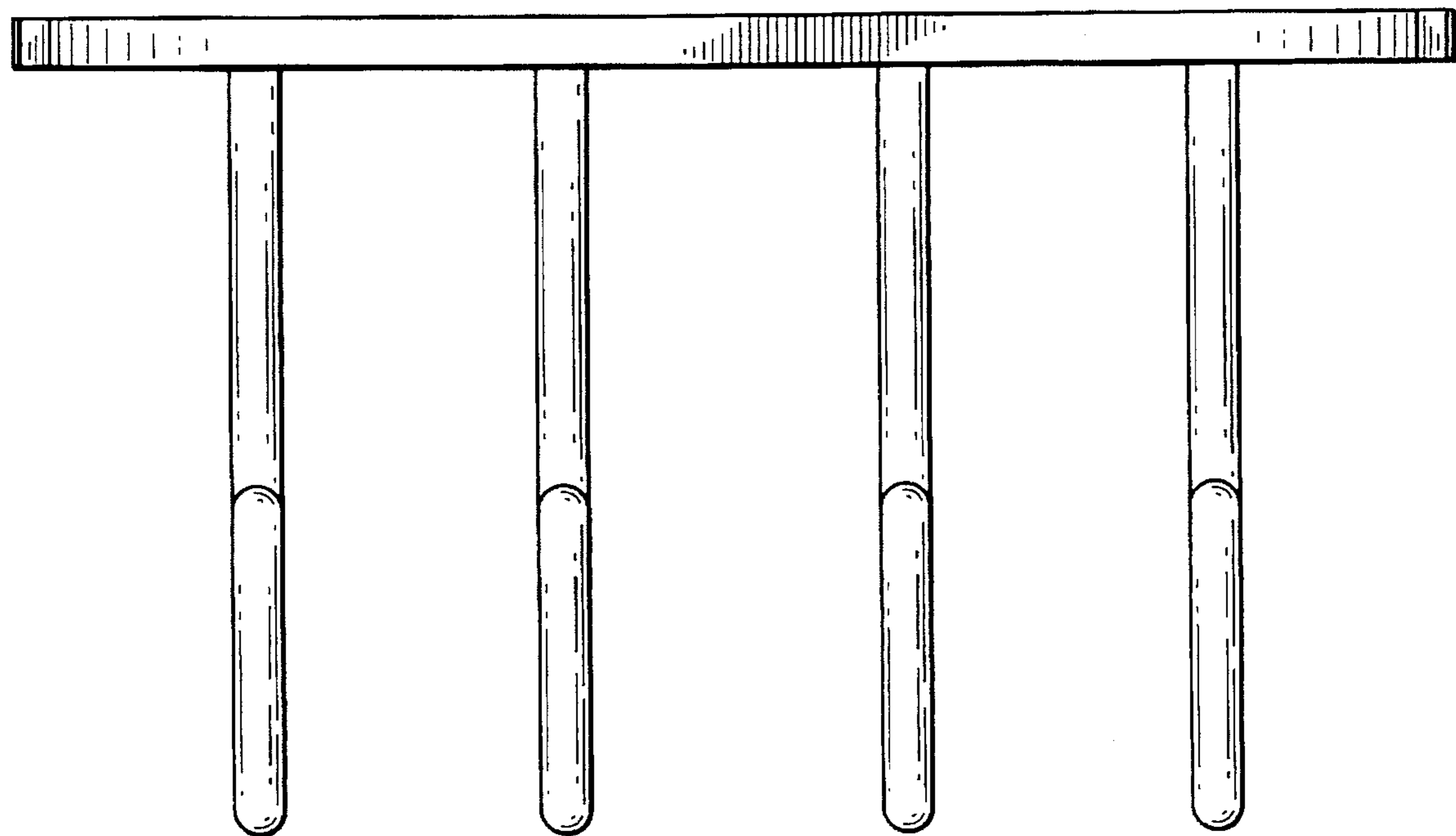


Fig. 2

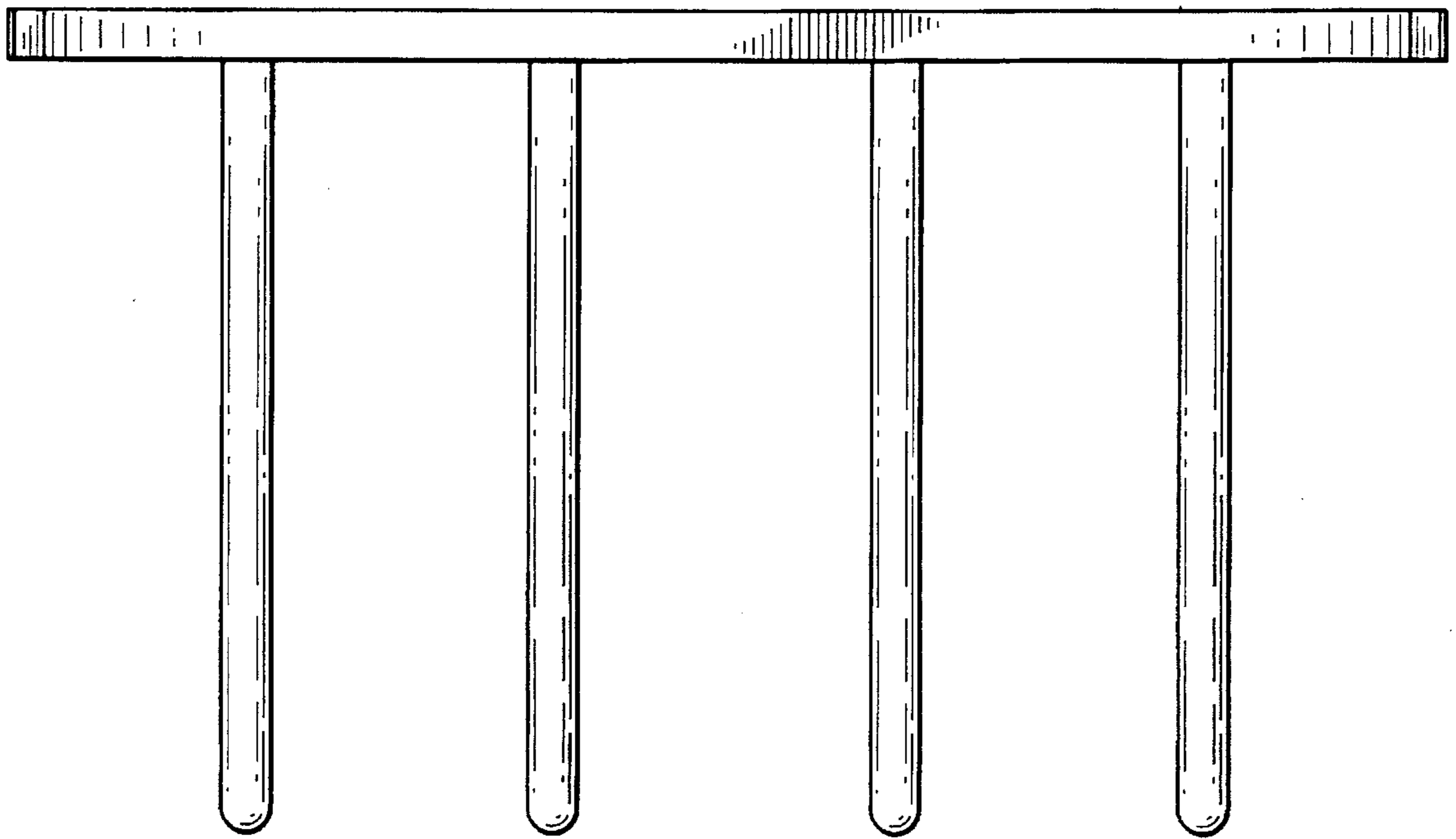


Fig. 3

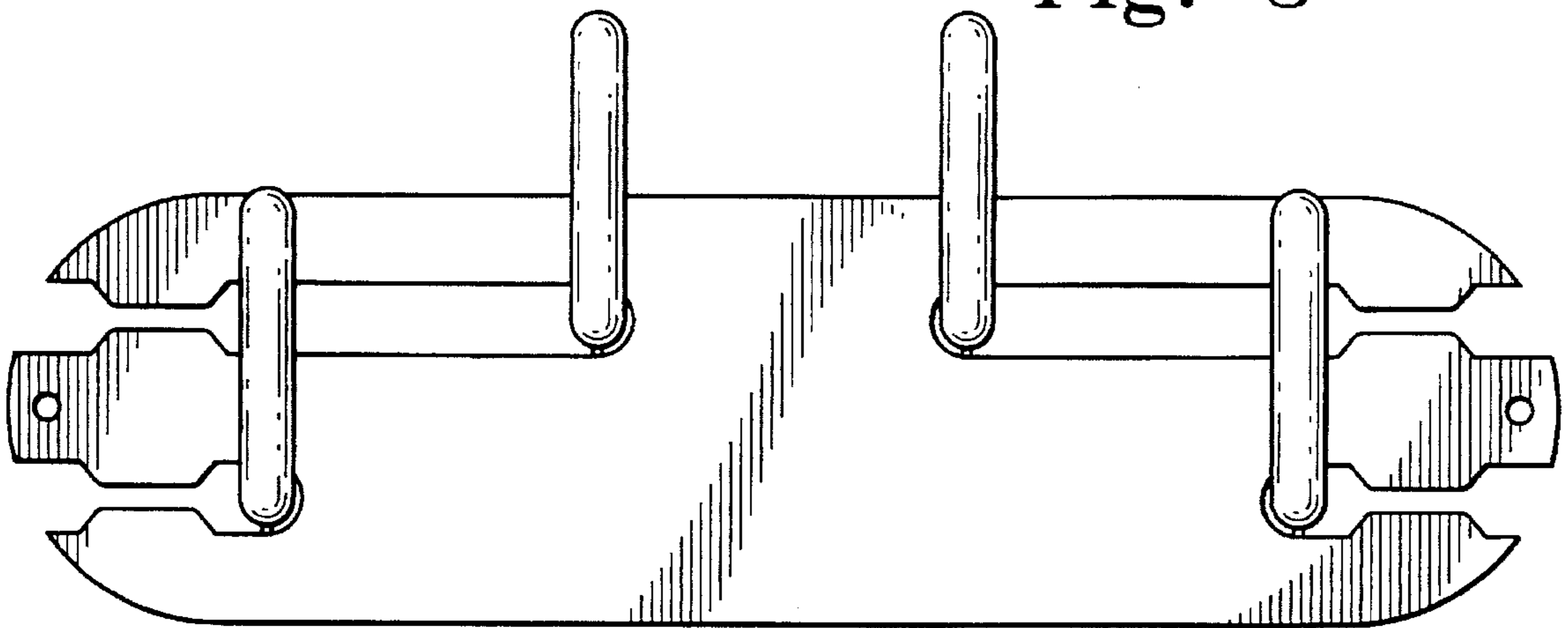


Fig. 4

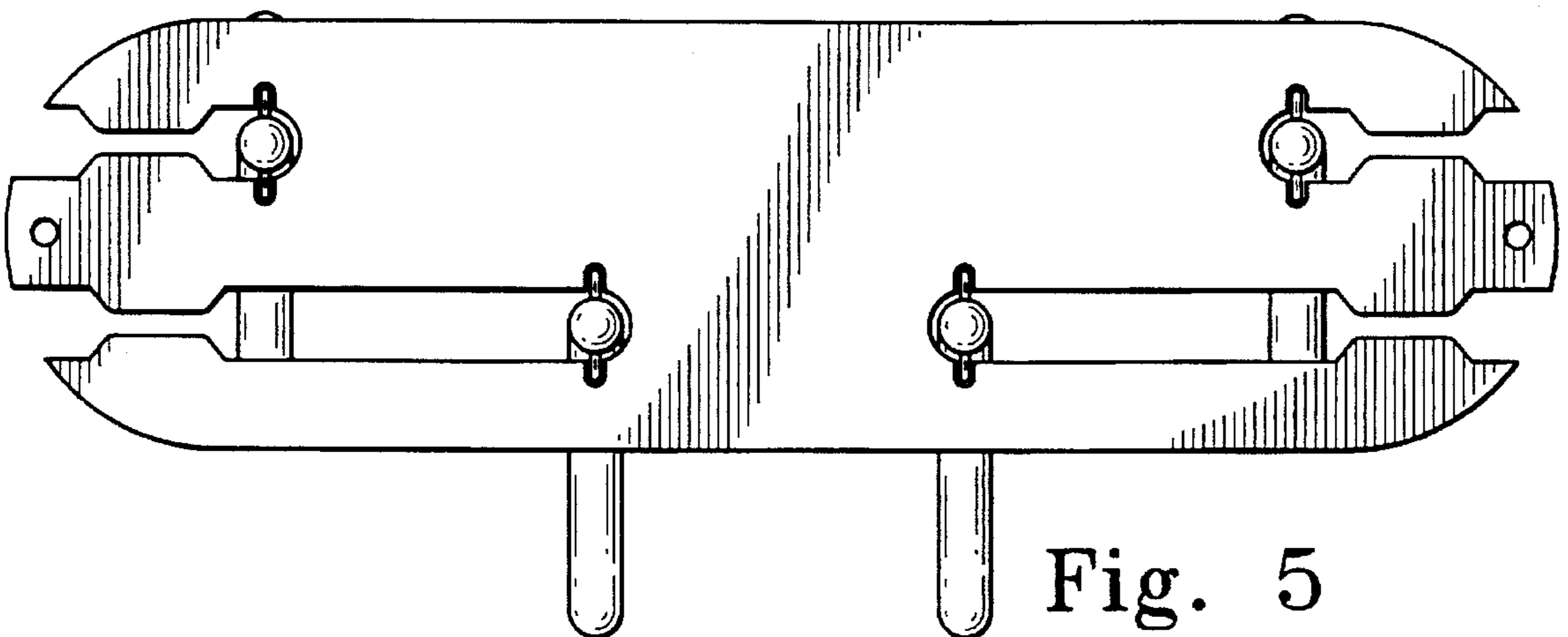


Fig. 5

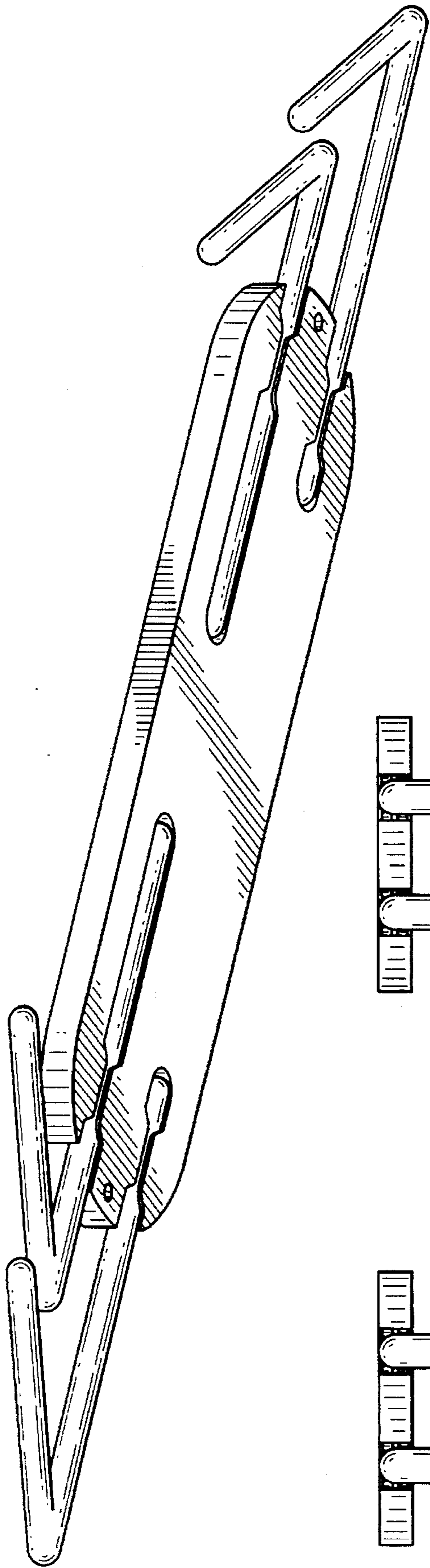


Fig. 8

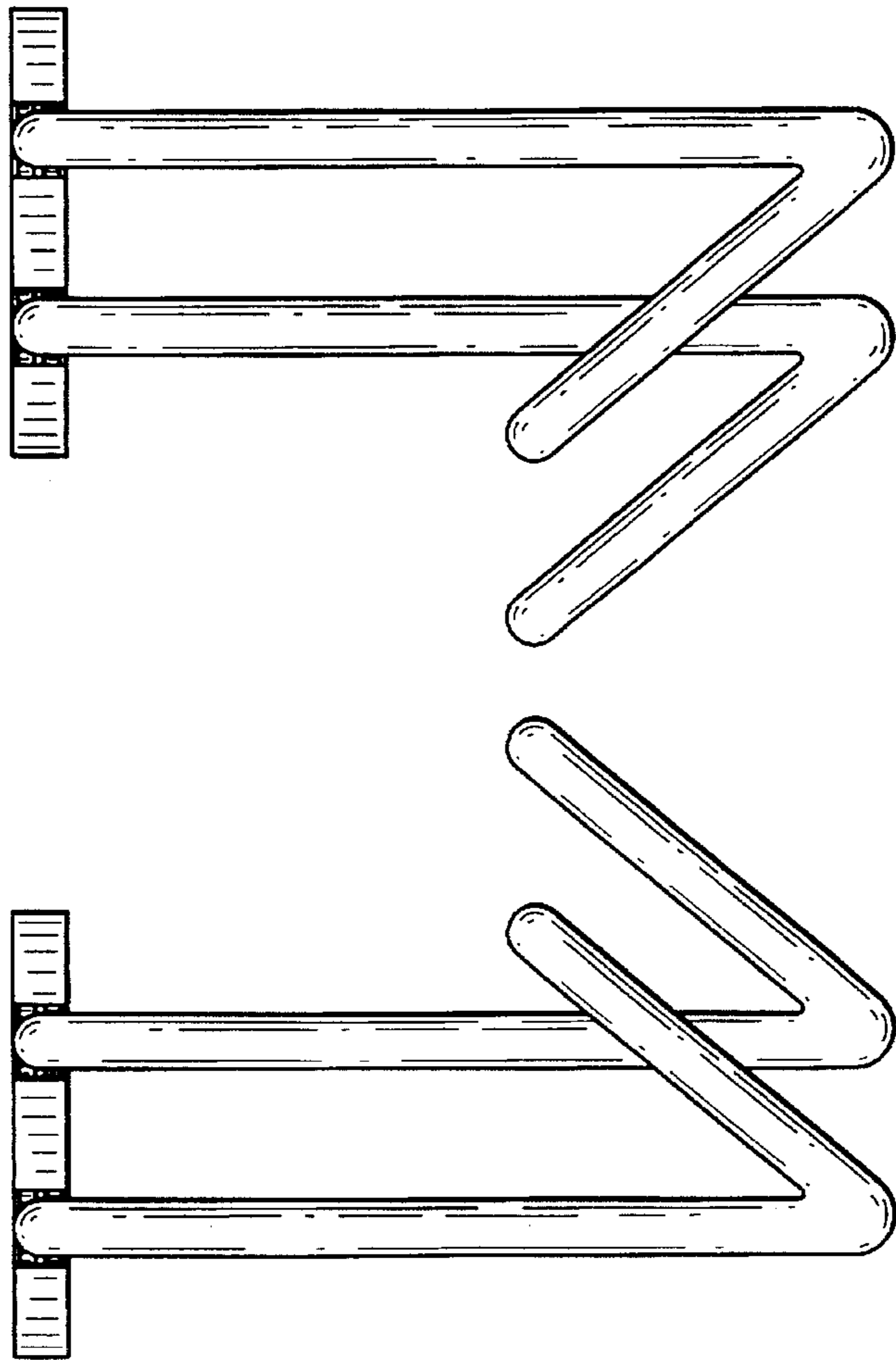


Fig. 6

Fig. 7

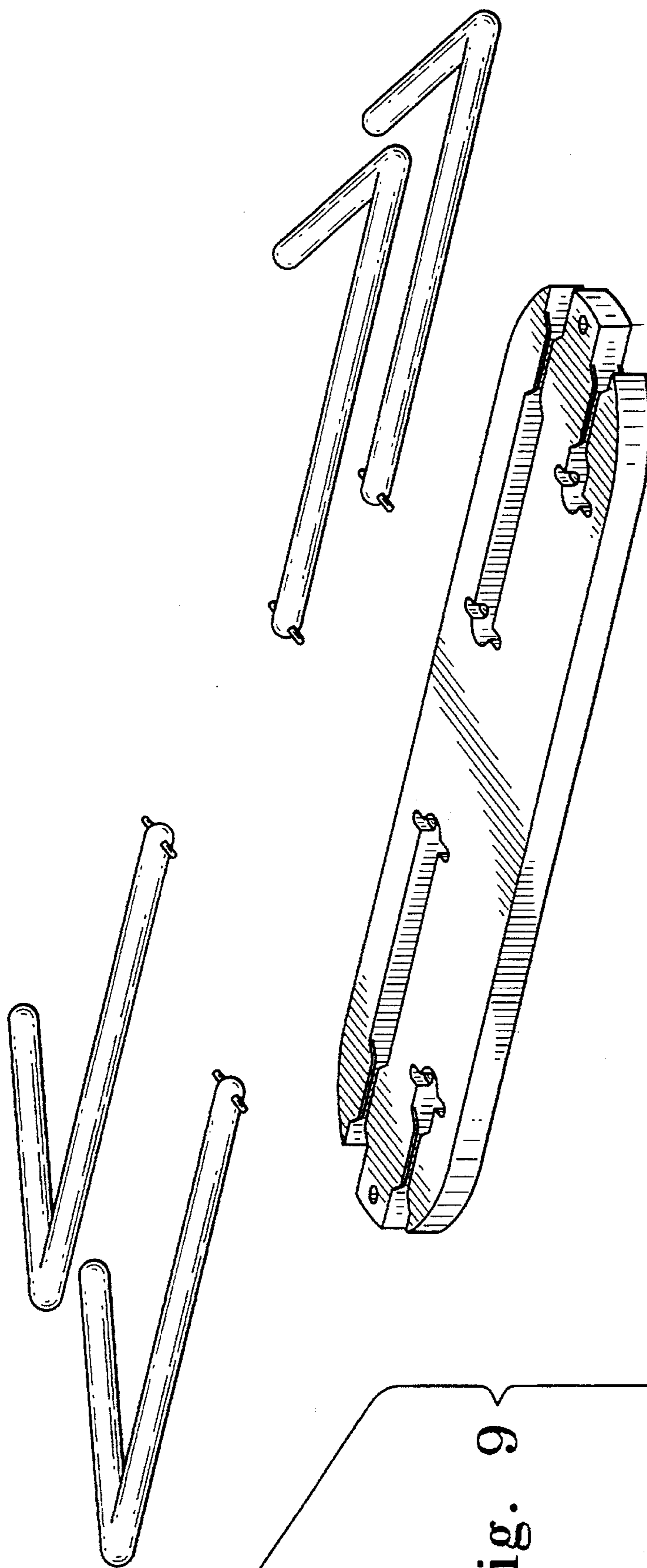


Fig. 9

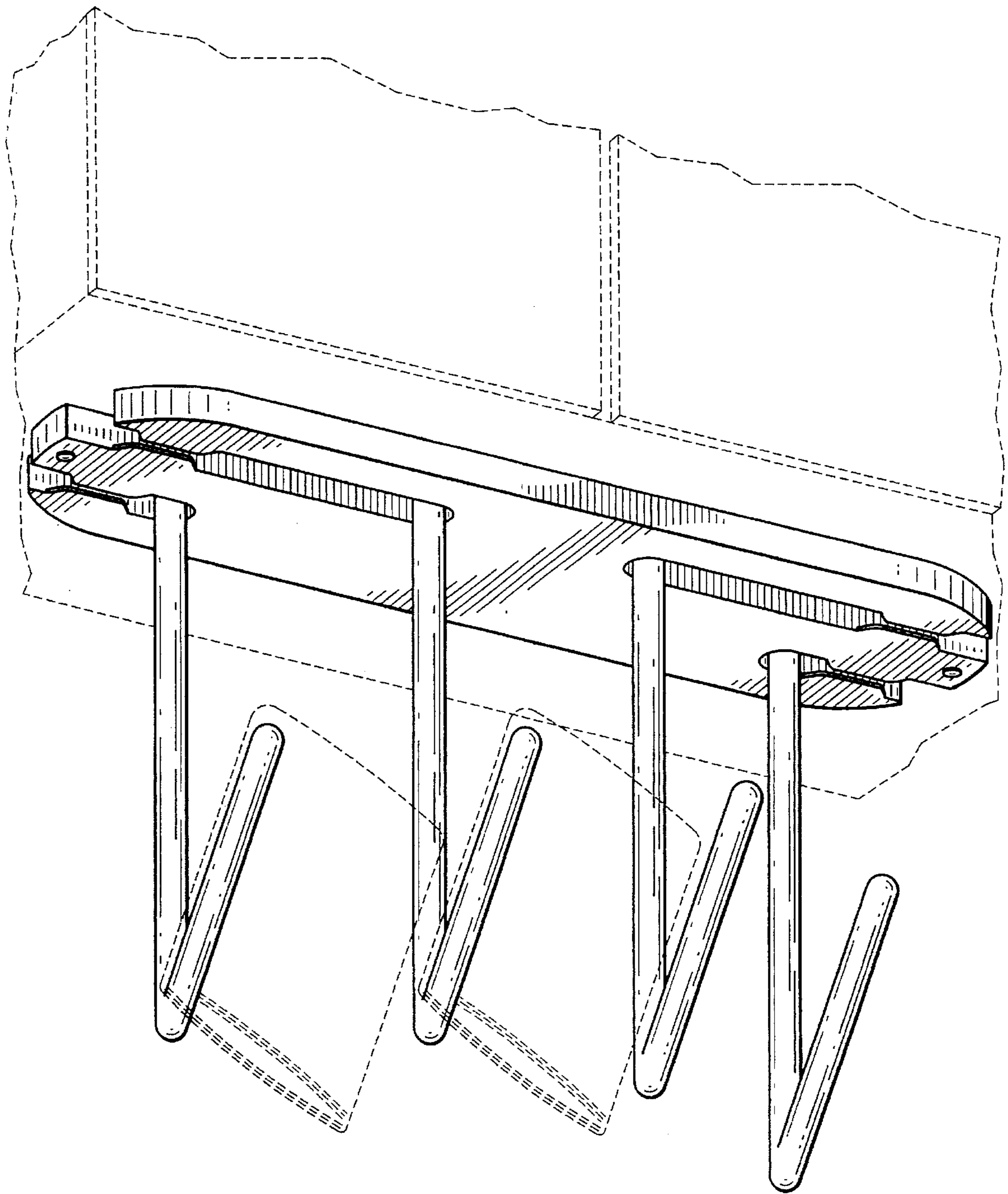


Fig. 10