



US00D383273S

United States Patent [19]
Hampshire

[11] **Patent Number:** **Des. 383,273**

[45] **Date of Patent:** ****Sep. 2, 1997**

[54] **DISH DRAINER**

3,027,041 3/1962 Stansbury et al. 220/487

[75] **Inventor:** **James Hampshire**, Solon, Ohio

Primary Examiner—A. Hugo Word

Assistant Examiner—Robin V. Taylor

[73] **Assignee:** **InterDesign, Inc.**, Solon, Ohio

Attorney, Agent, or Firm—D. Peter Hochberg; Mark Kusner

[**] **Term:** **14 Years**

[57] **CLAIM**

[21] **Appl. No.:** **50,146**

The ornamental design for a dish drainer, as shown and described.

[22] **Filed:** **Feb. 9, 1996**

DESCRIPTION

[51] **LOC (6) Cl.** **07-05**

FIG. 1 is a top view of a dish drainer embodying my new design;

[52] **U.S. Cl.** **D32/55**

FIG. 2 is a bottom view of the dish drainer shown in FIG. 1;

[58] **Field of Search** D32/55, 56, 57;
D6/462; 4/637, 656; 211/41; 220/571-2,
487-8

FIG. 3 is a side view of a dish drainer shown in FIG. 1, the other side being identical;

[56] **References Cited**

FIG. 4 is an end view of the dish drainer shown in FIG. 1, the other end being identical; and,

U.S. PATENT DOCUMENTS

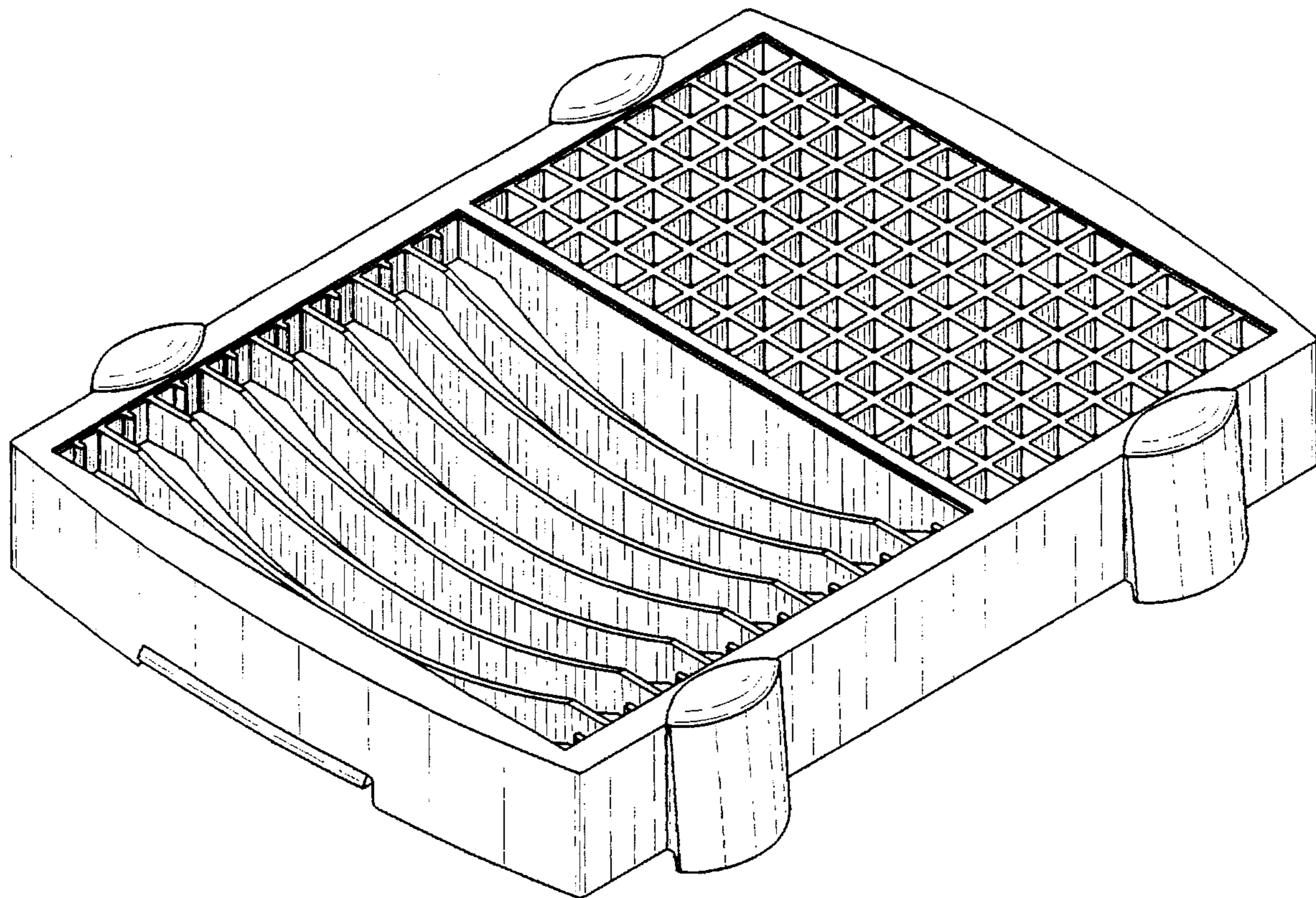
FIG. 5 is a perspective view of the dish drainer shown in FIG. 1.

D. 173,711 12/1954 Roop D32/55

D. 212,301 9/1968 Taylor D32/55

D. 214,077 5/1969 Kriegel D32/55

1 Claim, 4 Drawing Sheets



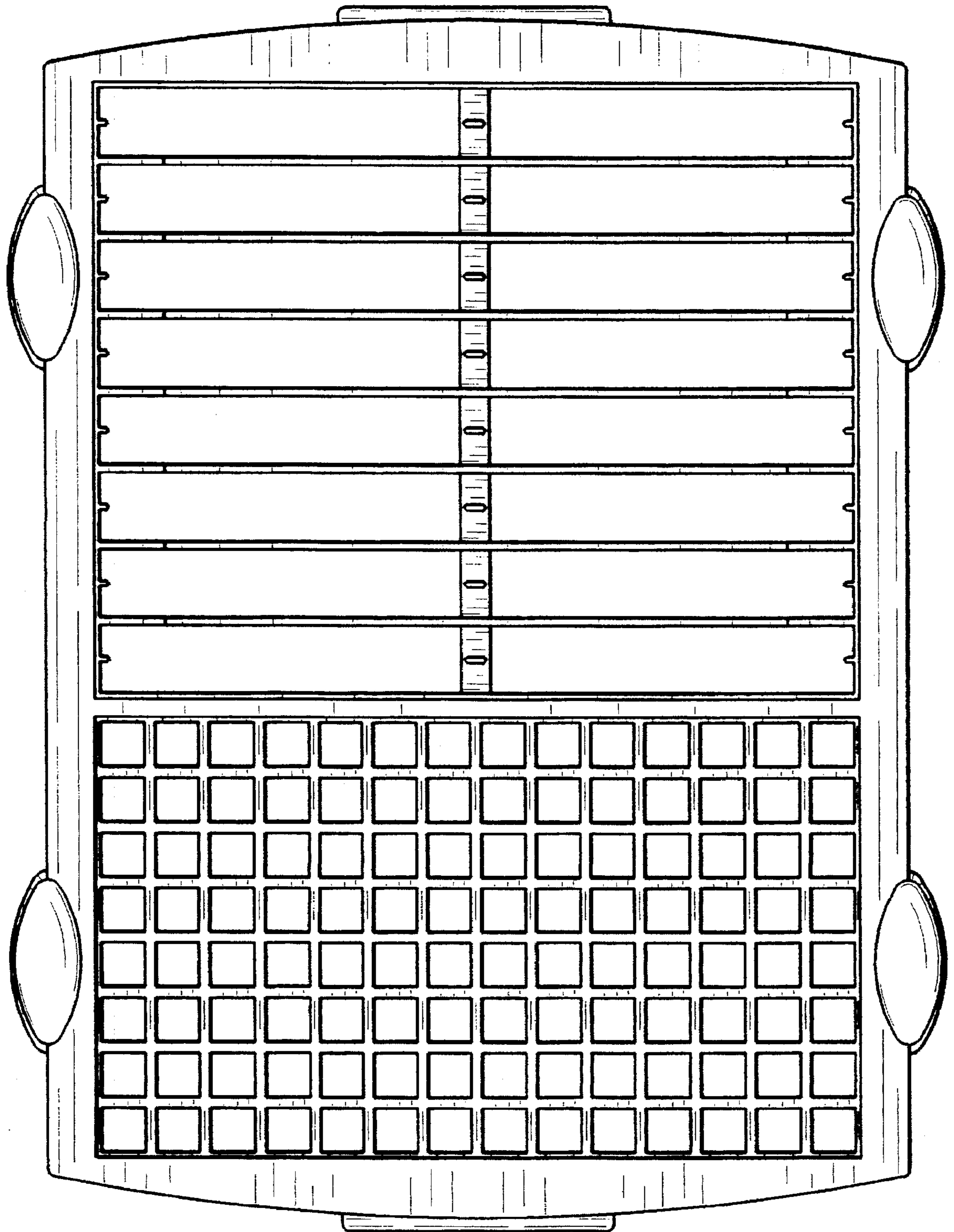


FIG. 1

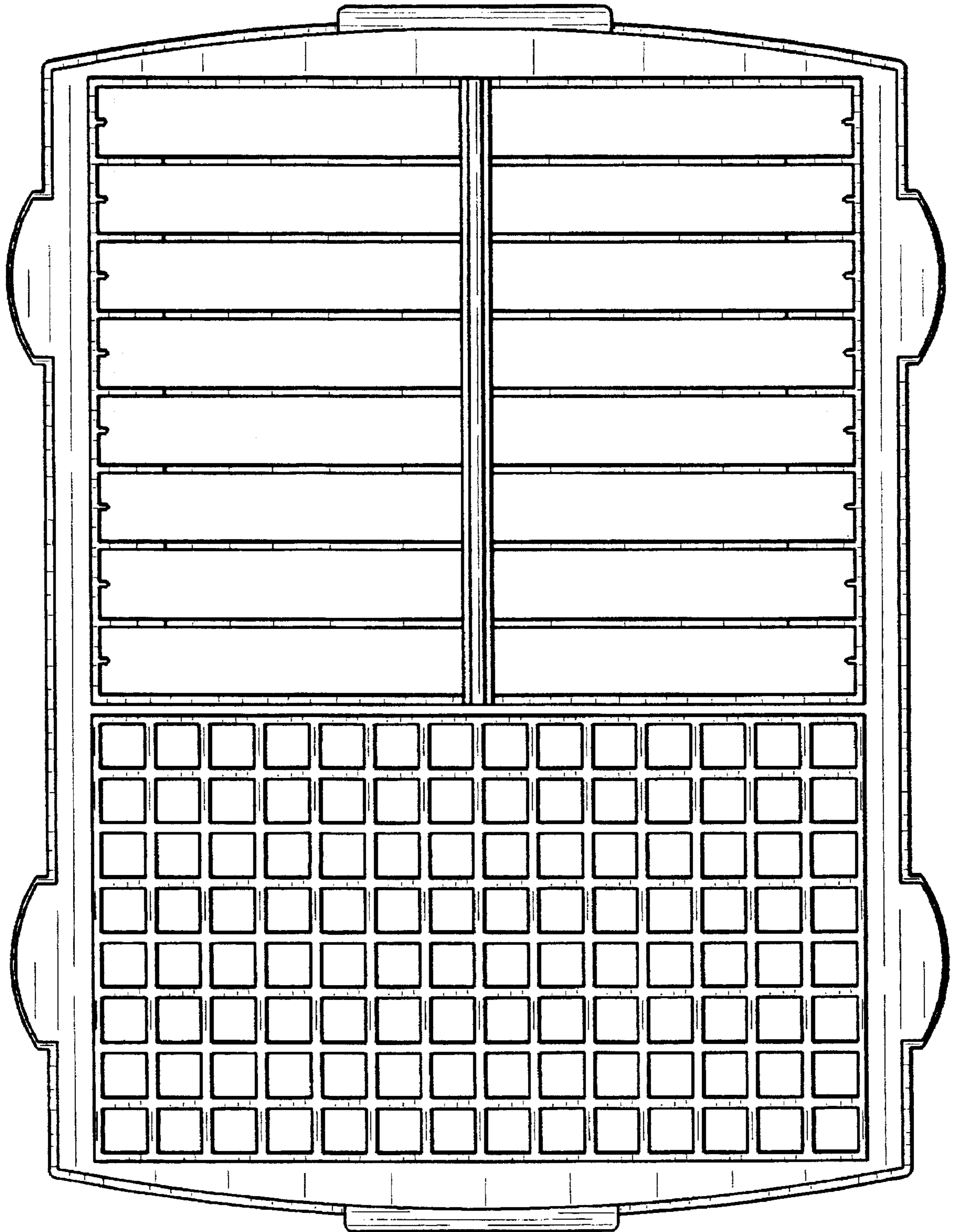


FIG. 2

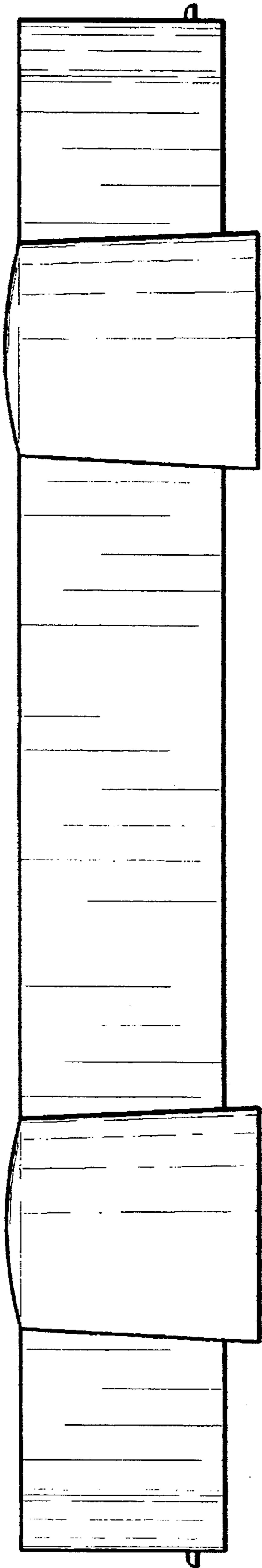


FIG. 3

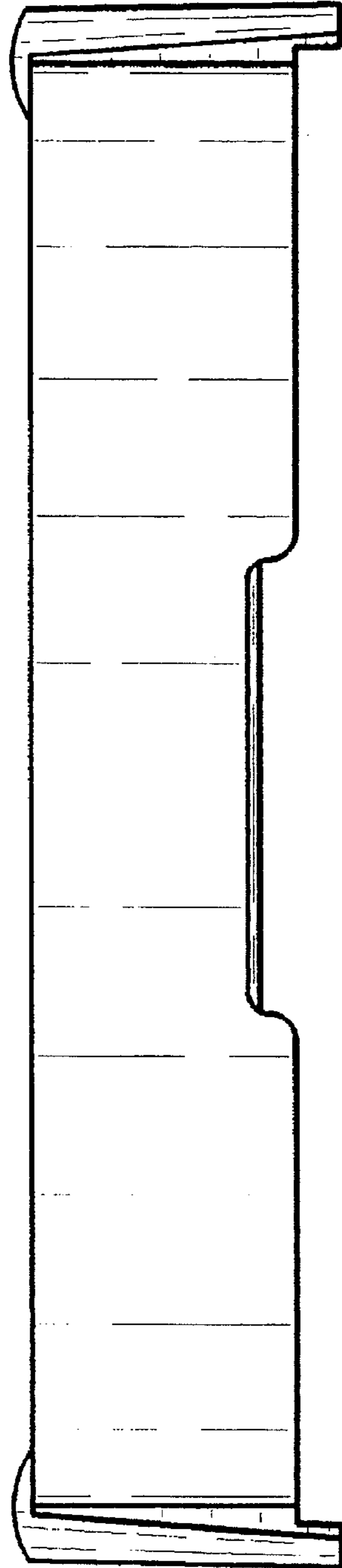


FIG. 4

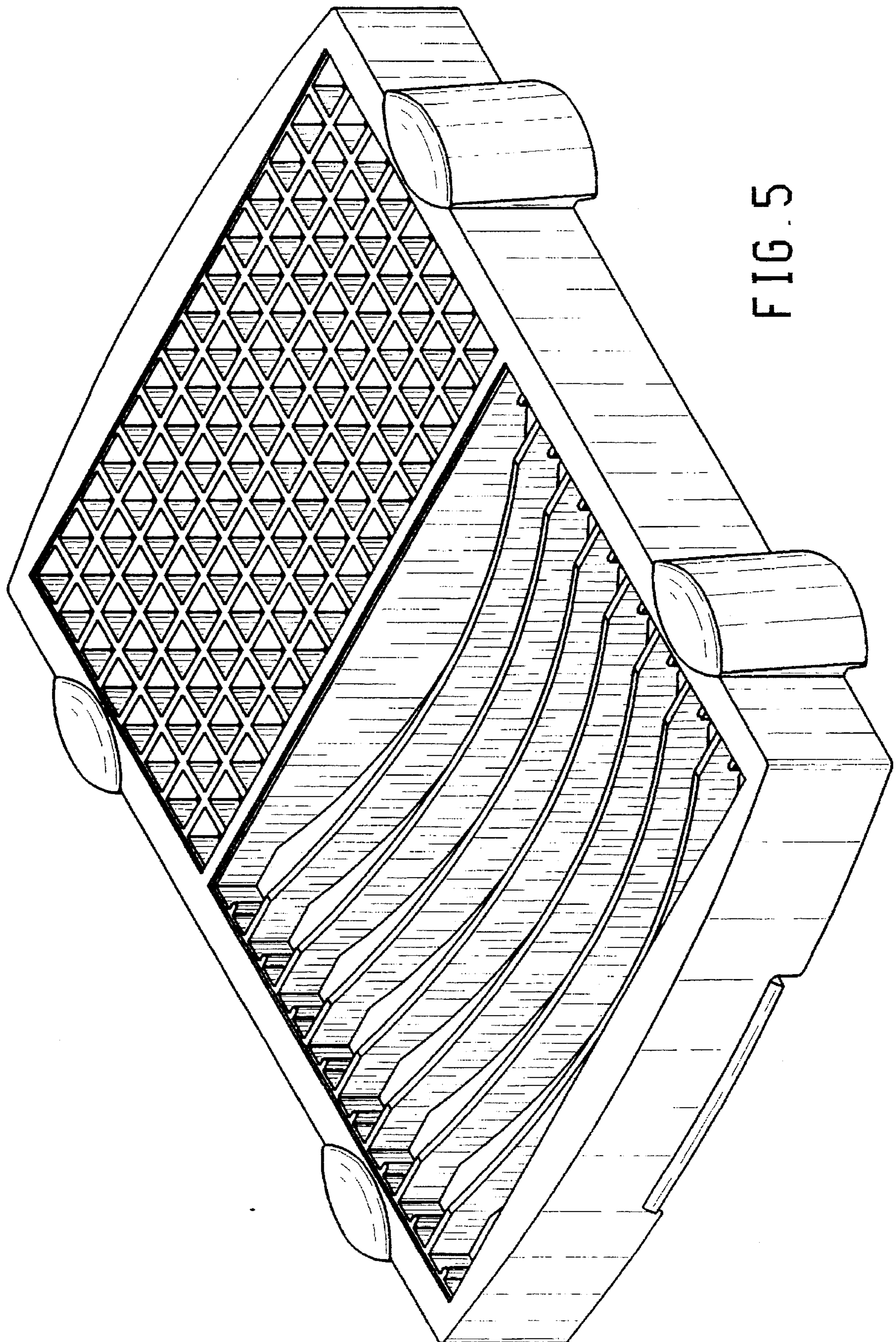


FIG. 5