



US00D383270S

United States Patent [19]

[11] Patent Number: **Des. 383,270**

Weihrauch

[45] Date of Patent: ****Sep. 2, 1997**

[54] **MOP WRINGER**

D. 223,774	6/1972	Swanson et al.	D32/54
1,177,681	4/1916	Christensen	15/263
1,882,918	10/1932	Robb	15/263
2,567,708	9/1951	Heber	15/263
4,735,332	4/1988	Thumser	15/260

[75] Inventor: **Georg Weihrauch**, Wald-Michelbach, Germany

[73] Assignee: **Coronet-Werke GmbH**, Wald-Michelbach, Germany

[**] Term: **14 Years**

Primary Examiner—A. Hugo Word
Assistant Examiner—Robin V. Taylor
Attorney, Agent, or Firm—Antonelli, Terry, Stout & Kraus, LLP

[21] Appl. No.: **46,516**

[57] **CLAIM**

[22] Filed: **Nov. 17, 1995**

The ornamental design for a mop wringer, as shown and described.

[30] **Foreign Application Priority Data**

May 22, 1995 [WO] WIPO DM/033059

DESCRIPTION

[51] LOC (6) Cl. **19-06**

[52] U.S. Cl. **D32/54**

[58] Field of Search D32/53, 53.1, D32/54; 15/119.1, 120.1, 260, 262, 263

FIG. 1 is a top isometric view of the mop wringer;
FIG. 2 is a bottom isometric view thereof;
FIG. 3 is a front elevational view thereof;
FIG. 4 is a rear elevational view thereof;
FIG. 5 is a left side elevational view thereof;
FIG. 6 is a right side elevational view thereof; and,
FIG. 7 is a plan bottom view thereof.

[56] **References Cited**

U.S. PATENT DOCUMENTS

D. 164,340 8/1951 Wegelin D32/54

1 Claim, 4 Drawing Sheets

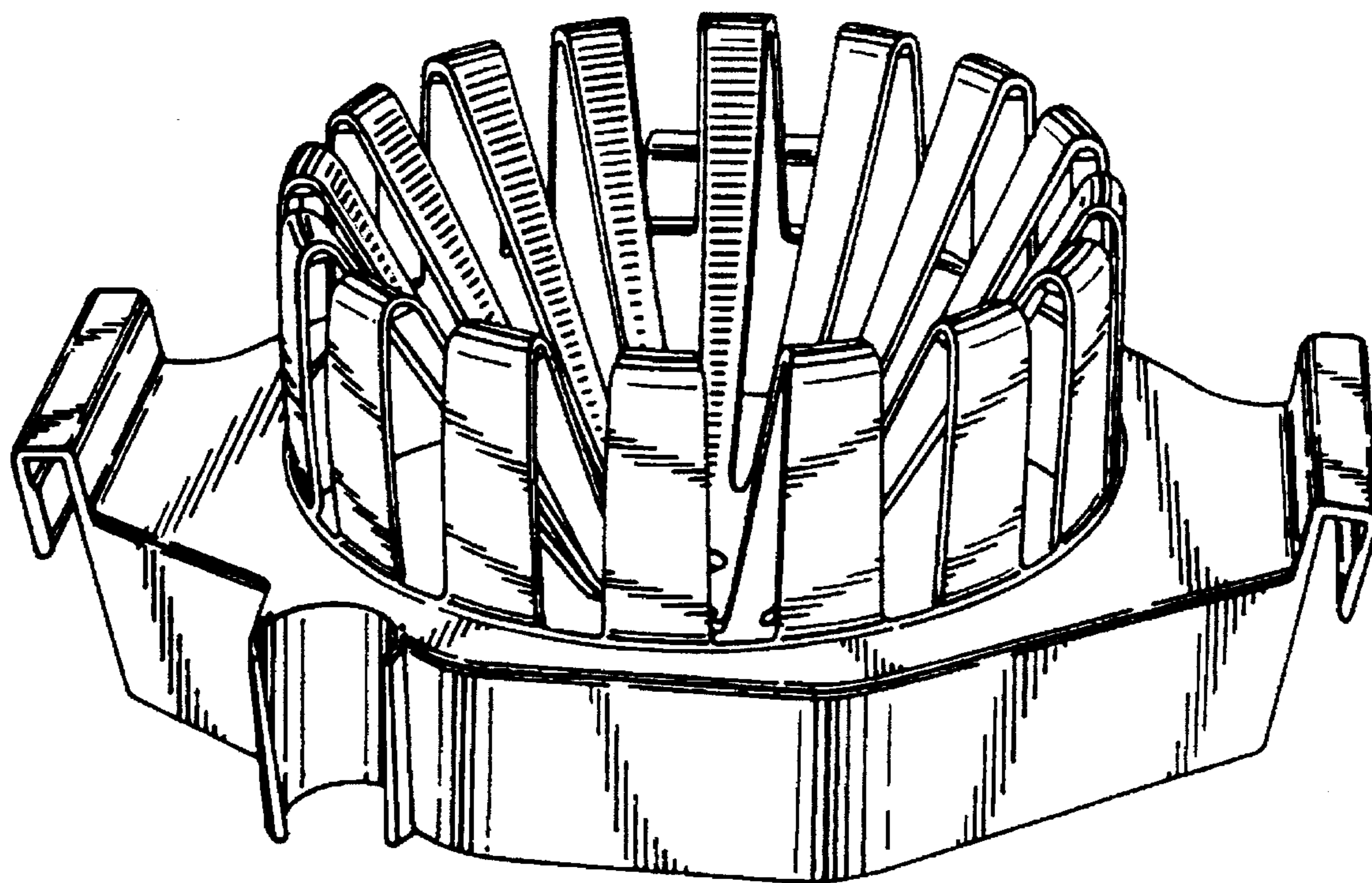


FIG. 1

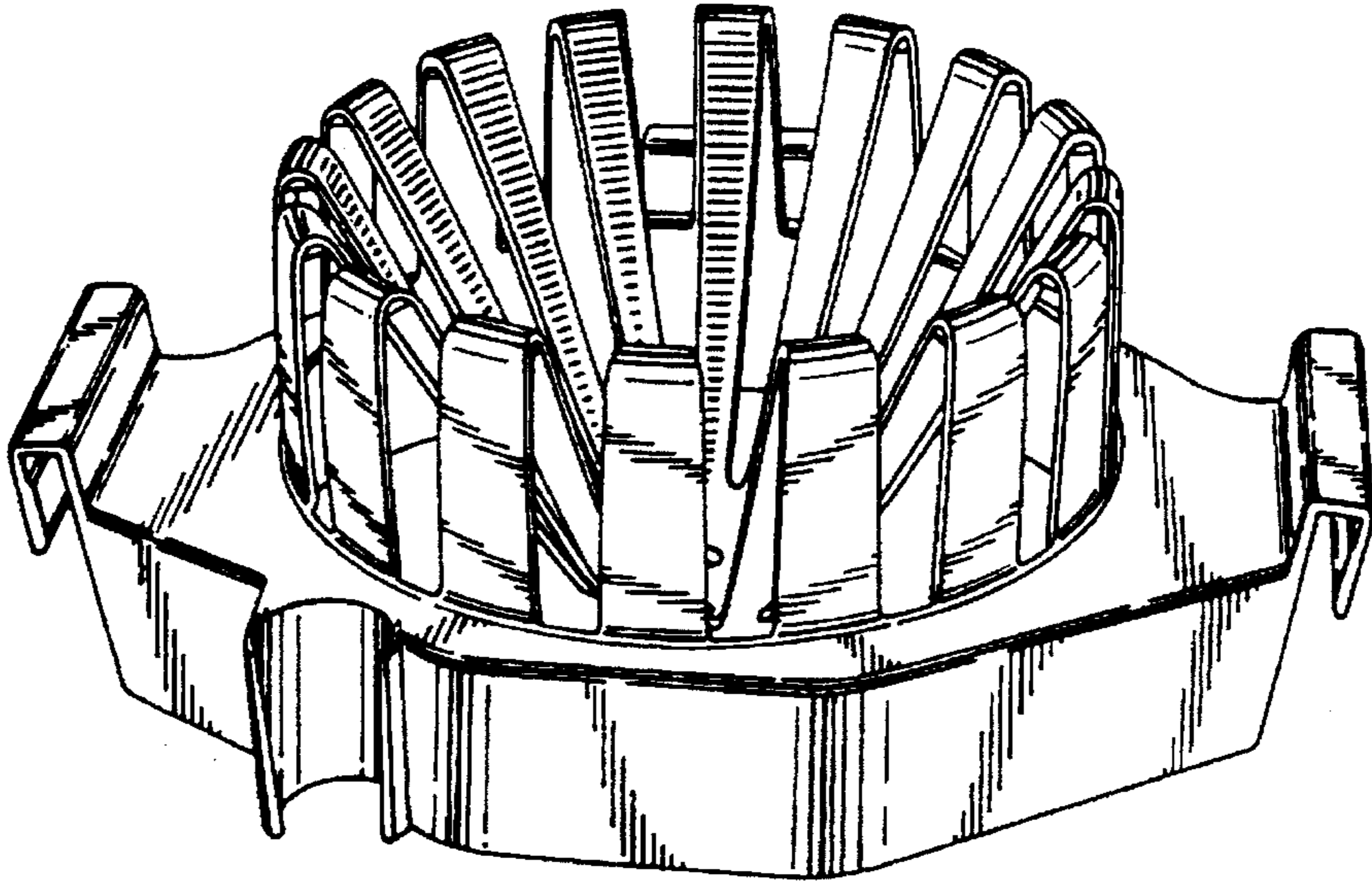


FIG. 2

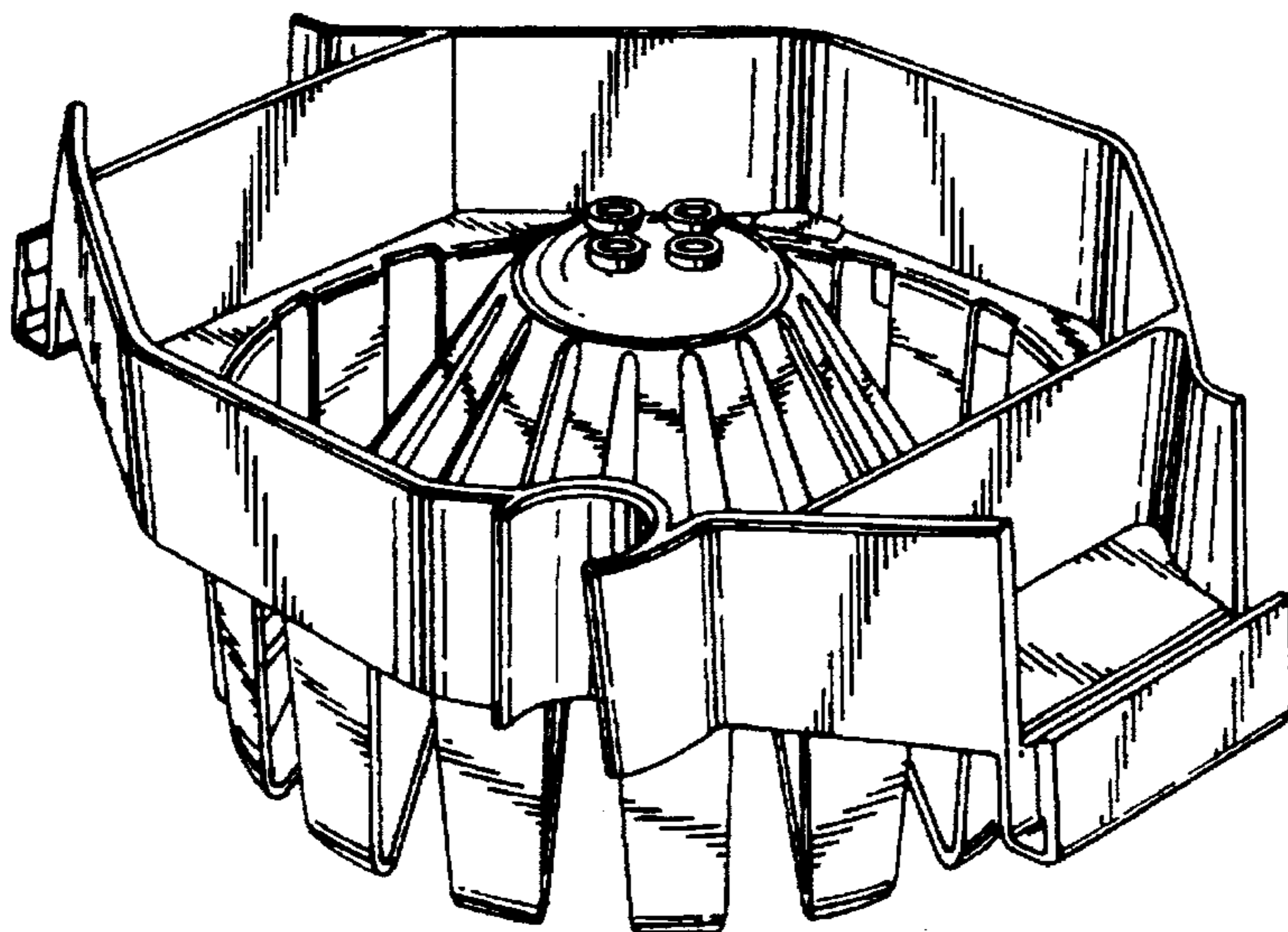


FIG. 3

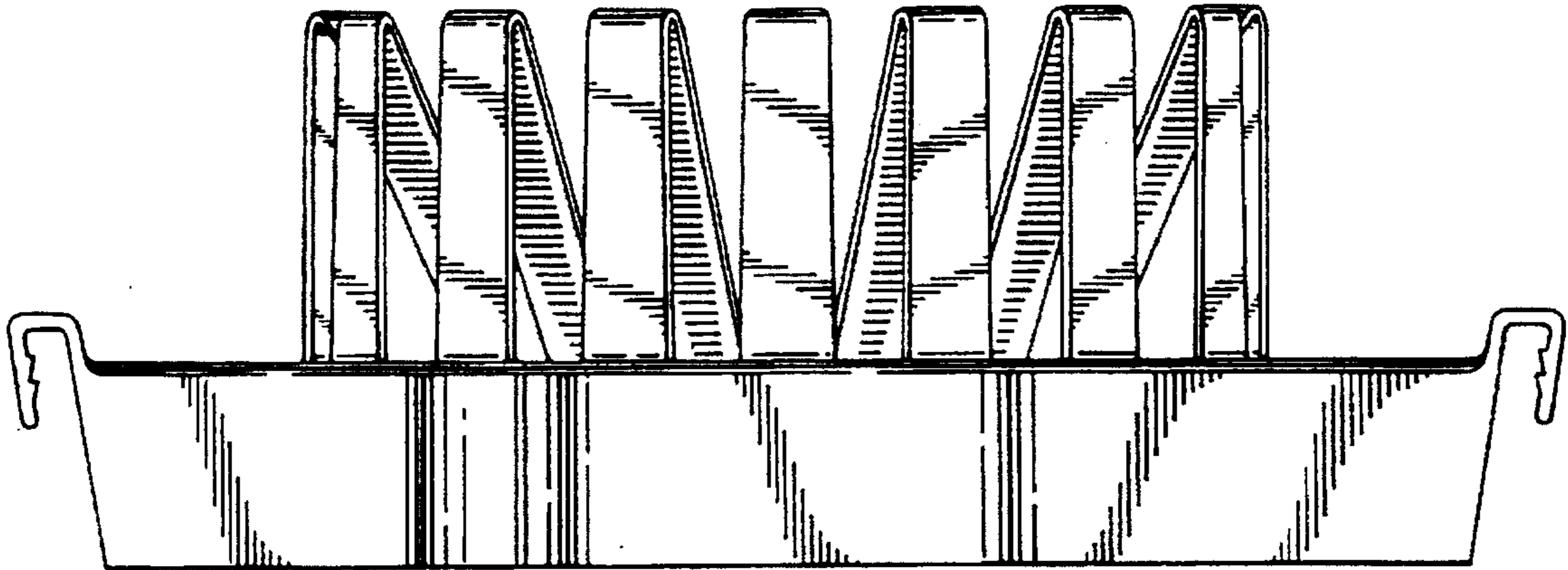


FIG. 4

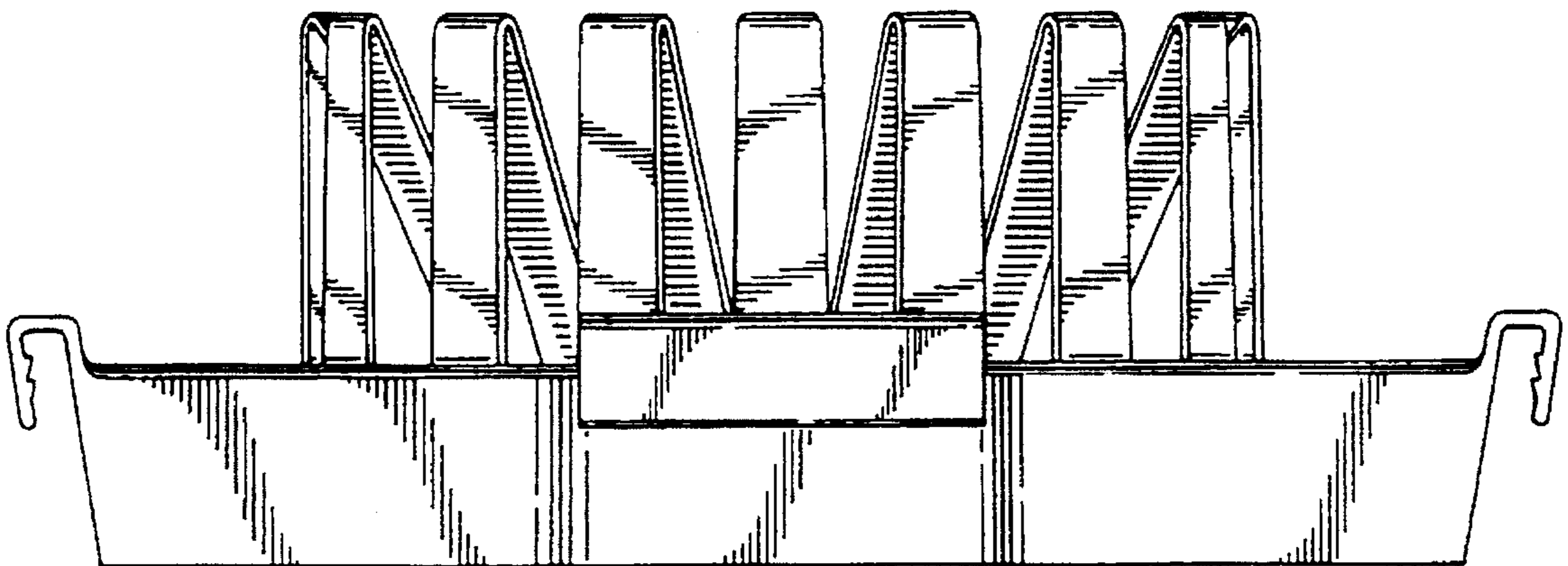


FIG. 5

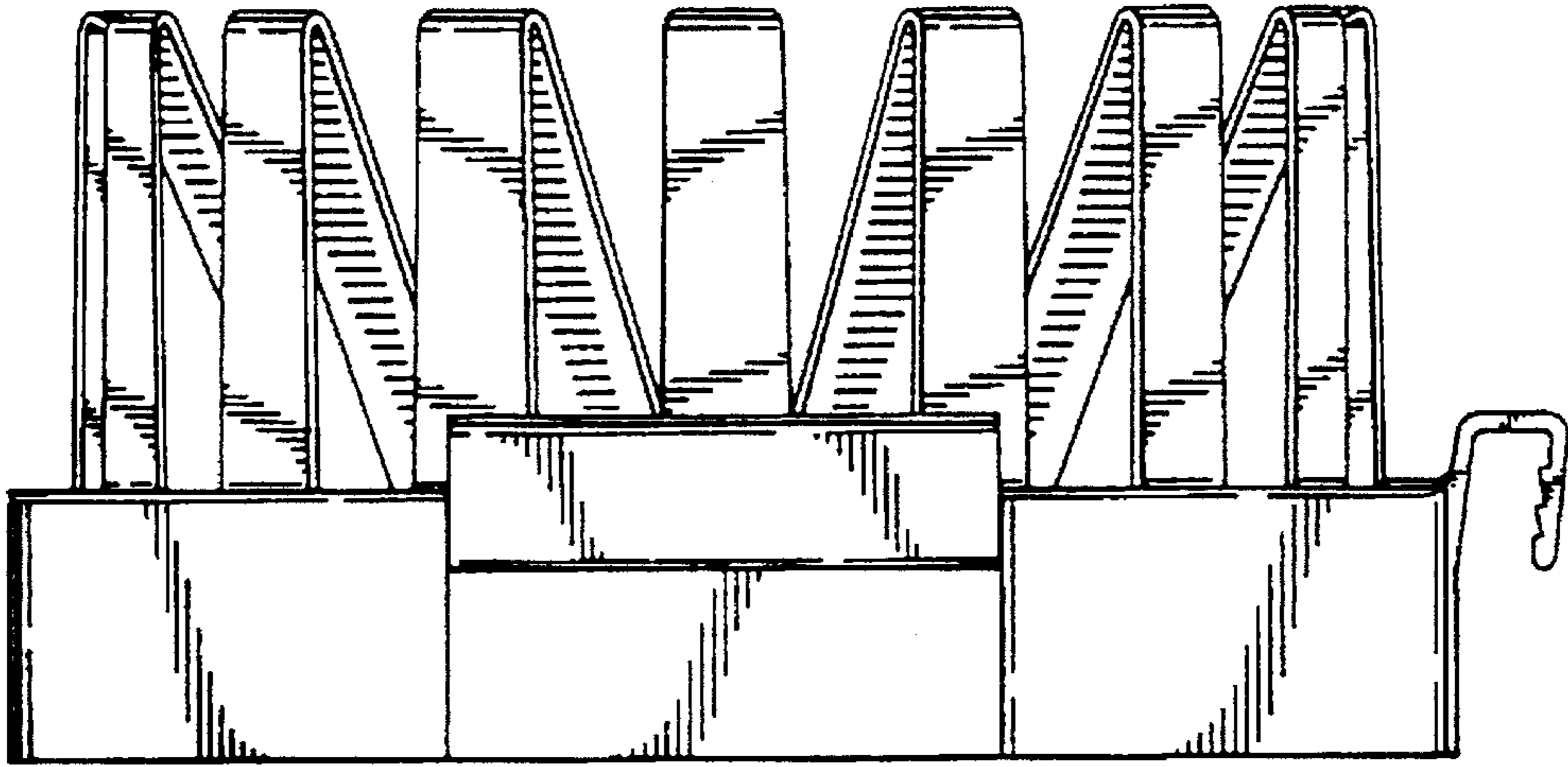


FIG. 6

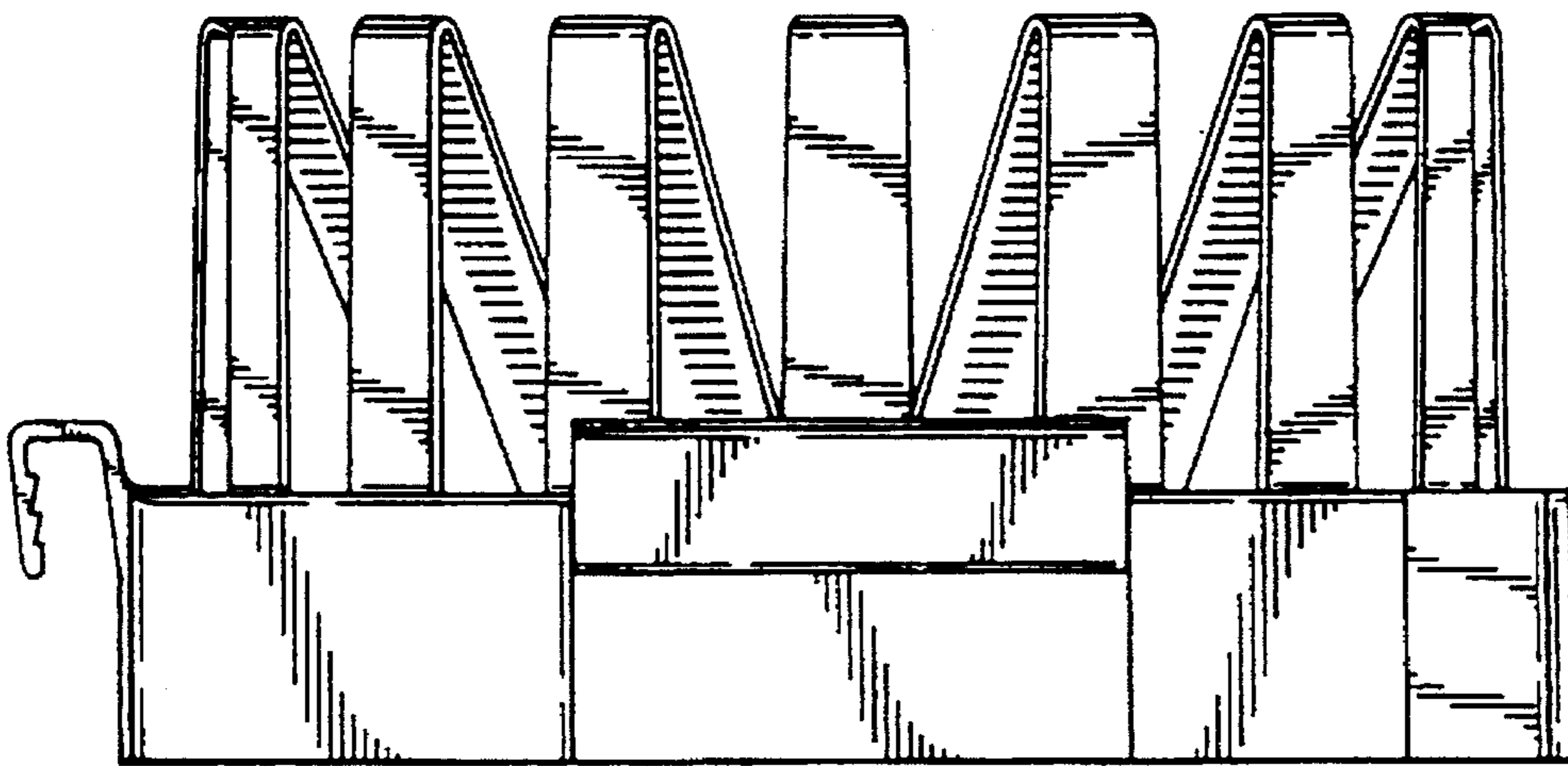


FIG. 7

