



US00D383261S

United States Patent [19]

Karsten et al.

[11] Patent Number: Des. 383,261

[45] Date of Patent: **Sep. 2, 1997

[54] **STEP DEVICE FOR PETS**

[76] Inventors: **Lowell R. Karsten; Deborah K. Karsten**, both of 9531 30th St., Stanley, Iowa 50671; **Steven D. Goldenbogen**, 733 Broughton St., Apt. #2, Pittsburgh, Pa. 15213

[**] Term: **14 Years**

[21] Appl. No.: **46,713**

[22] Filed: **Oct. 27, 1995**

[51] LOC (6) Cl. **30-99**

[52] U.S. Cl. **D30/160; 119/705; 119/706; D30/119; D30/118; D25/65; D6/350**

[58] **Field of Search** 119/482, 483, 119/28.5, 165, 706, 485, 499, 498; D30/119, 158, 118, 160; D25/62-63, 65; 52/182; 482/52; D6/350, 349

[56] **References Cited**

U.S. PATENT DOCUMENTS

| | | | | |
|------------|---------|-----------|-------|---------|
| D. 212,086 | 8/1968 | Gilman | | D25/65 |
| D. 320,702 | 10/1991 | Dewing | | D6/349 |
| D. 322,872 | 12/1991 | Holbrook | | D30/160 |
| D. 351,739 | 10/1994 | Cannon | | D25/65 |
| 3,035,671 | 5/1962 | Sicherman | | 482/52 |
| 3,159,141 | 12/1964 | Paterek | | 119/706 |

| | | | | |
|-----------|--------|--------------|-------|----------|
| 3,173,398 | 3/1965 | Raymond | | 119/28.5 |
| 3,830,337 | 8/1974 | Todd | | 52/182 |
| 5,038,716 | 8/1991 | Olson | | 119/706 |
| 5,094,505 | 3/1992 | Nichols | | D25/65 |
| 5,213,060 | 5/1993 | Sloan et al. | | 119/28.5 |

OTHER PUBLICATIONS

J.D. Acrylics Catalog; Two Step Riser (center of page).

Primary Examiner—Cathy Anne MacCormac
Attorney, Agent, or Firm—David Volk; Brendan B. Dix

[57] **CLAIM**

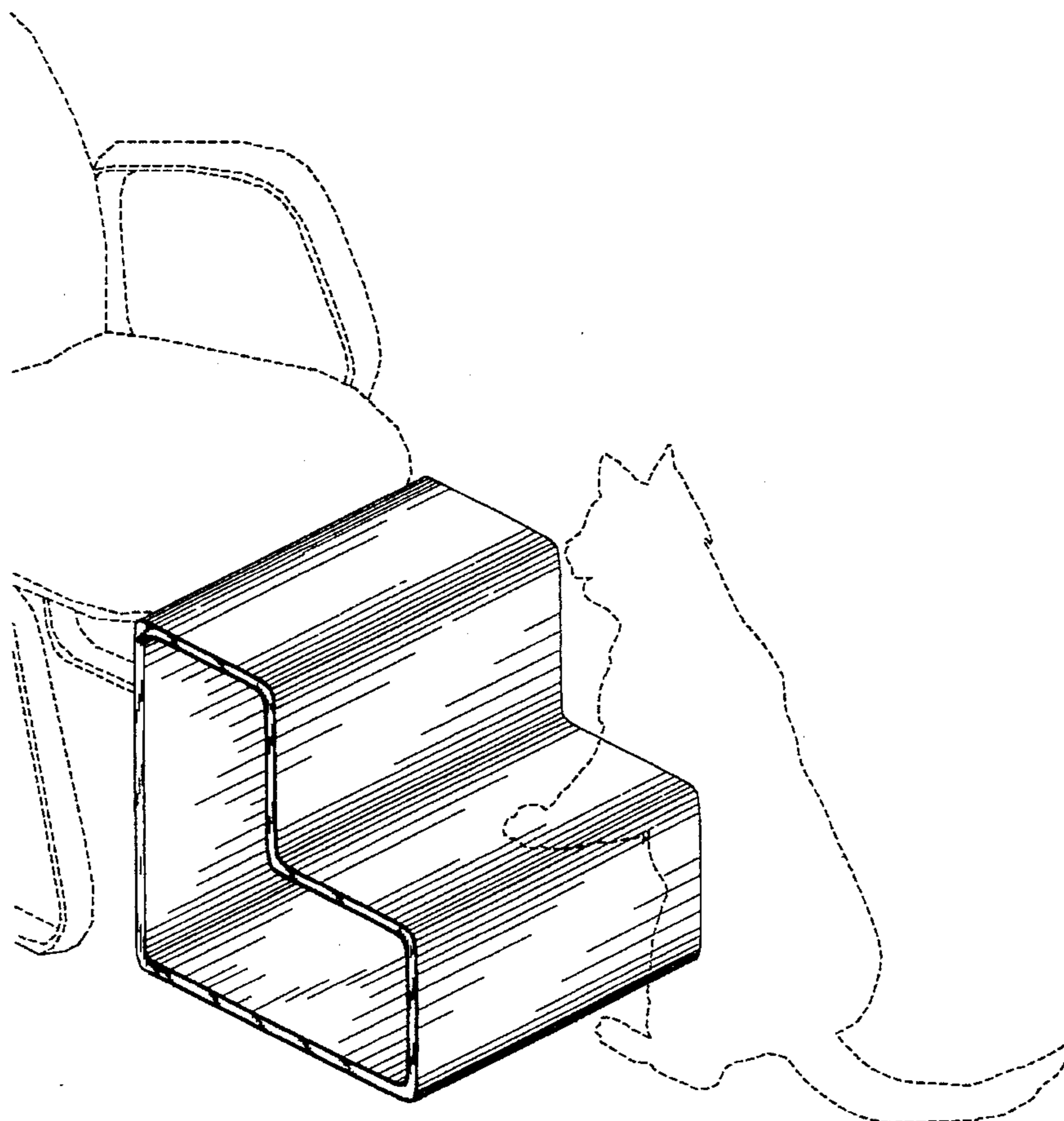
The ornamental design for a step device for pets, as shown.

DESCRIPTION

FIG. 1 is a perspective view of a step device for pets, showing our new design;
FIG. 2 is another perspective view thereof;
FIG. 3 is a right side view thereof;
FIG. 4 is a left side view thereof;
FIG. 5 is a top plan view thereof;
FIG. 6 is a bottom view thereof;
FIG. 7 is a front view thereof; and,
FIG. 8 is a back view thereof.

The broken lines in FIG. 1 are for purposes of illustration only and form no part of the claimed design.

1 Claim, 5 Drawing Sheets



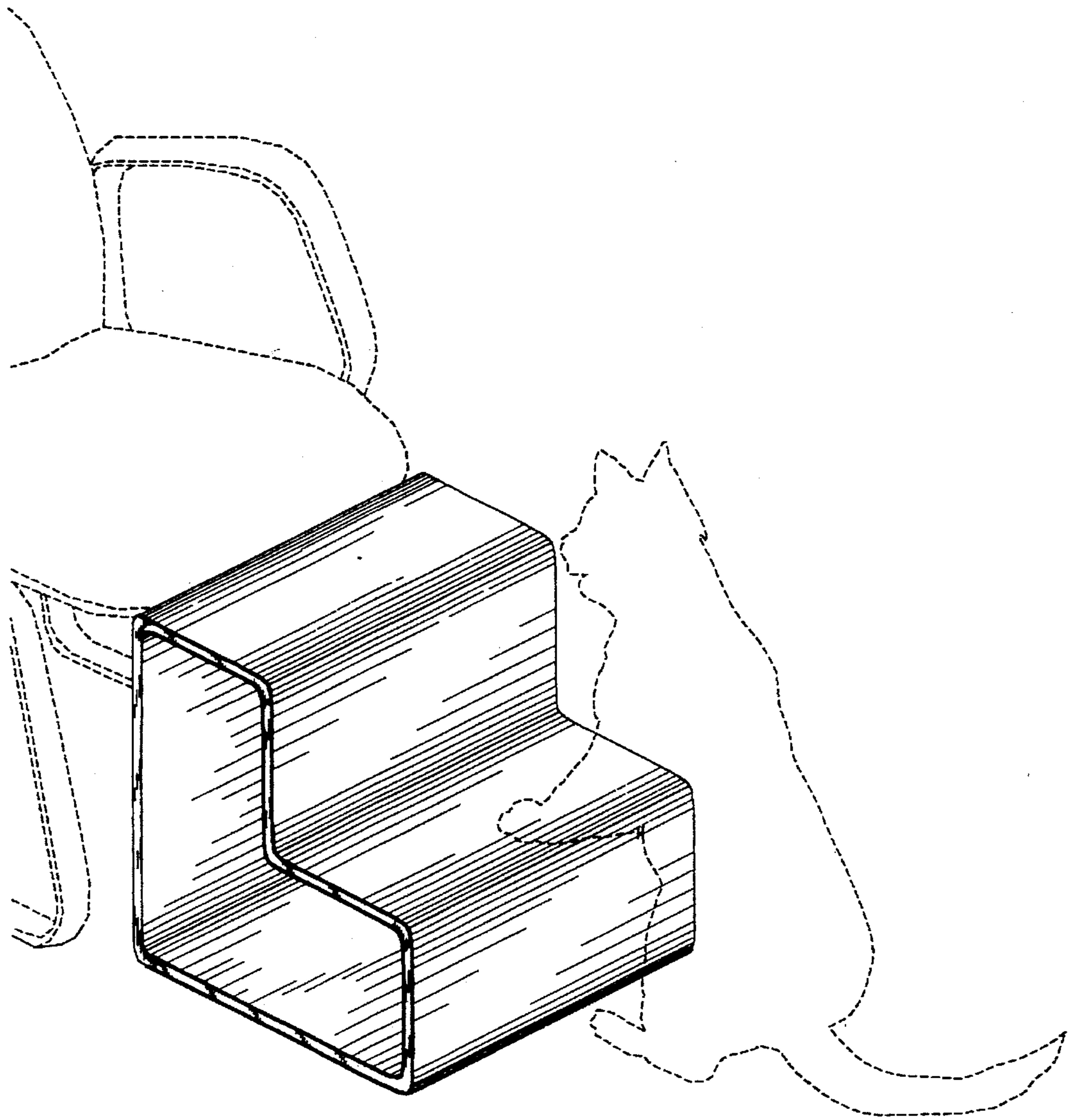


Fig. 1

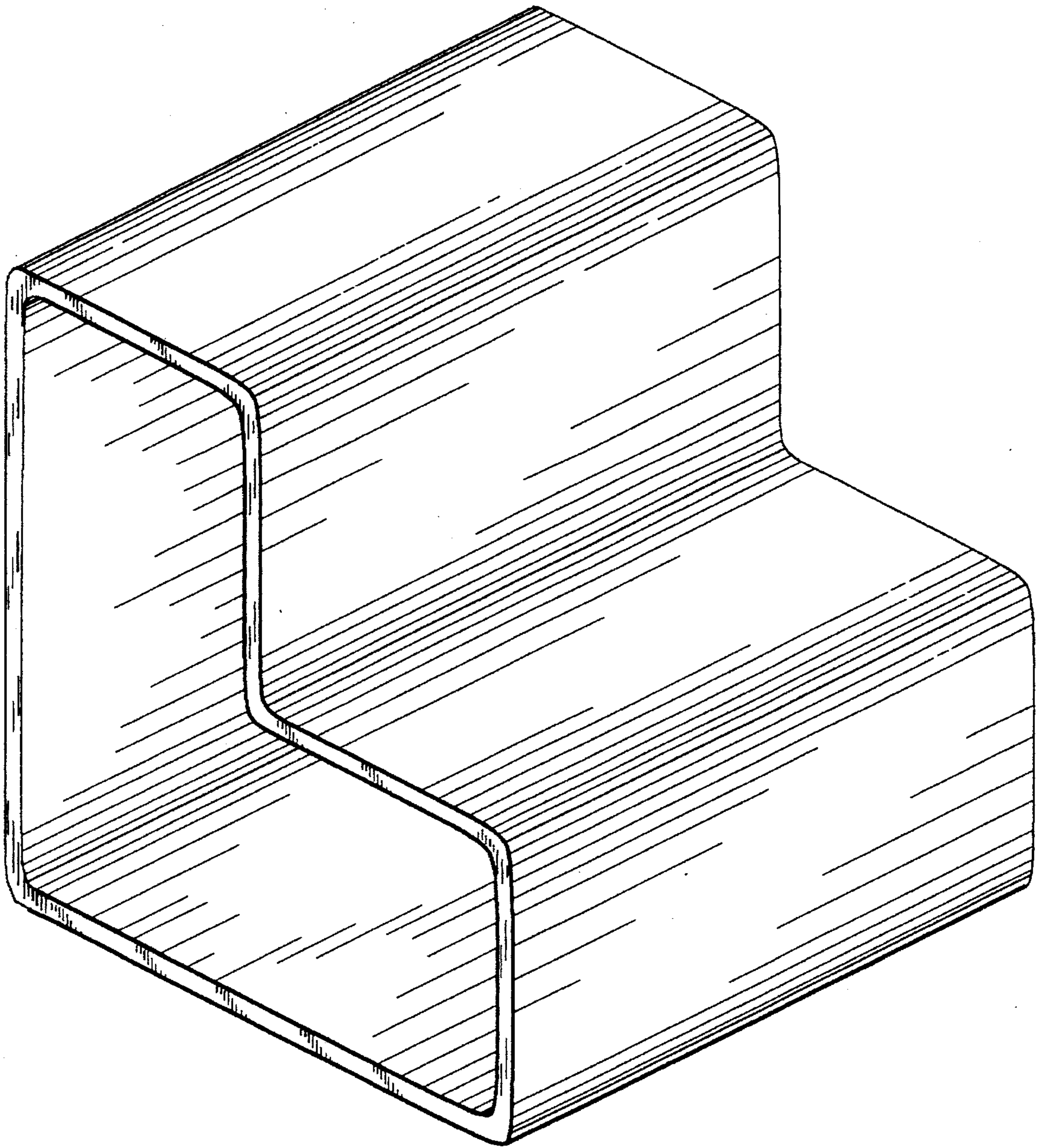


Fig. 2

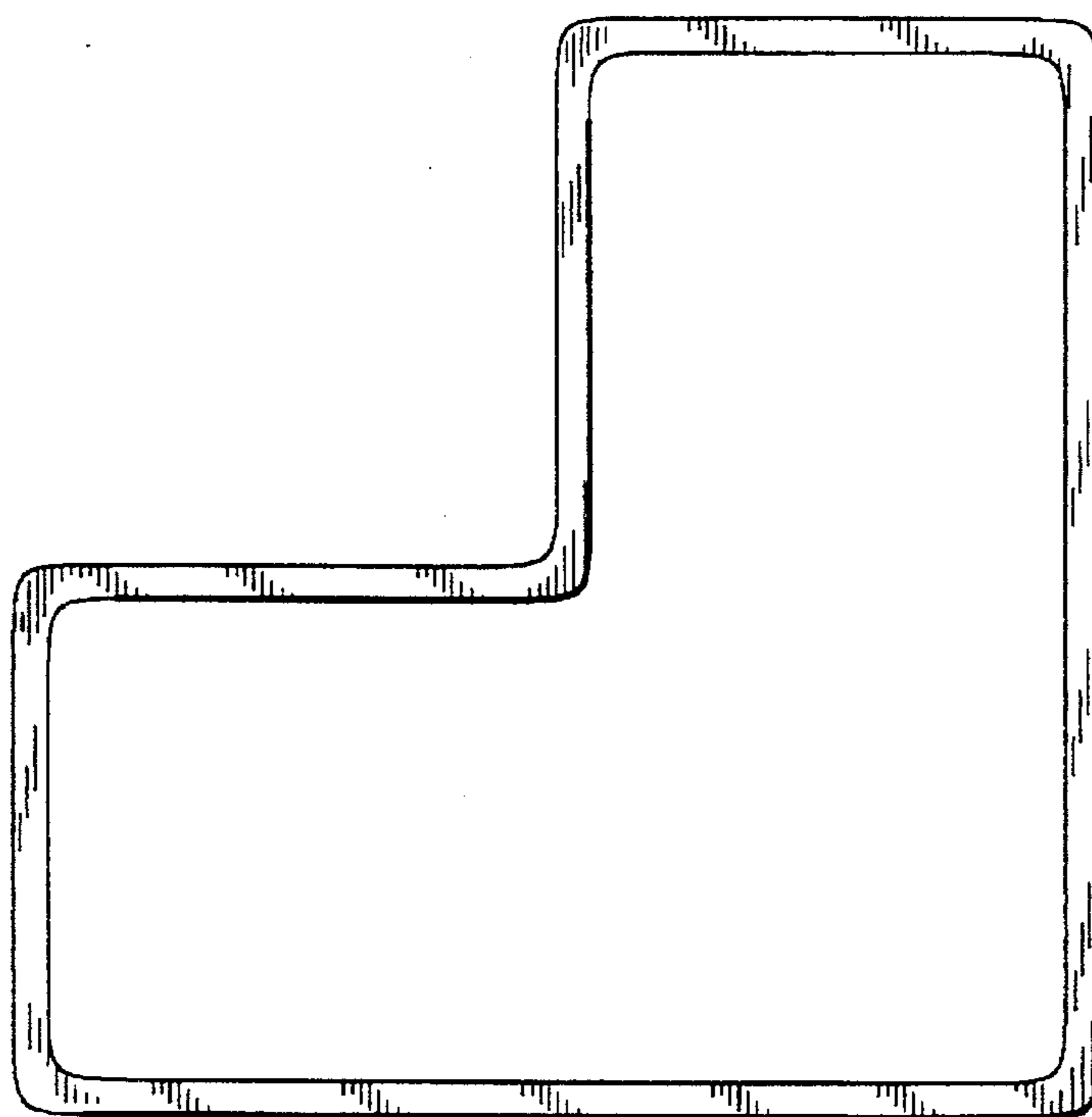


Fig. 3

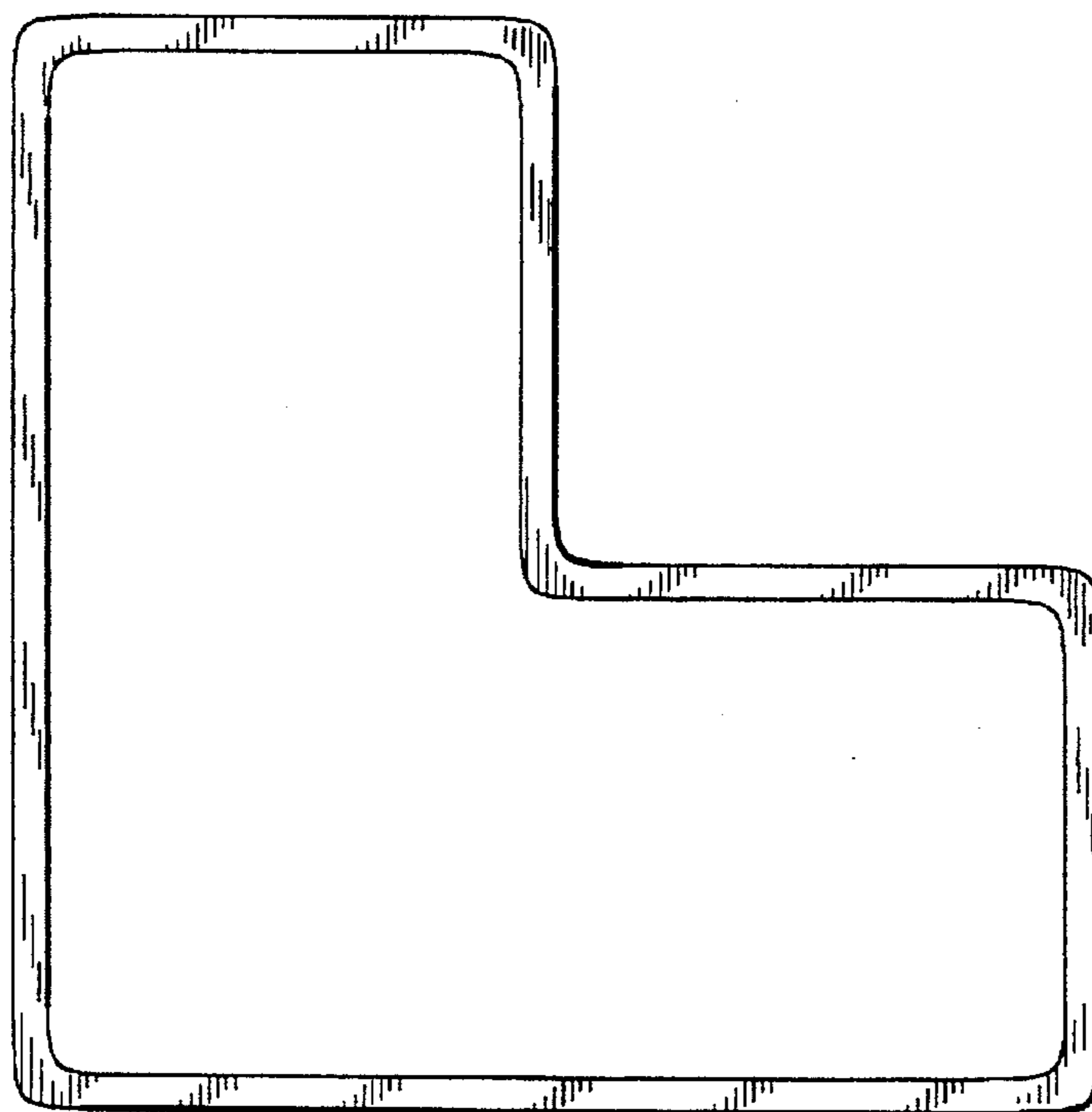


Fig. 4

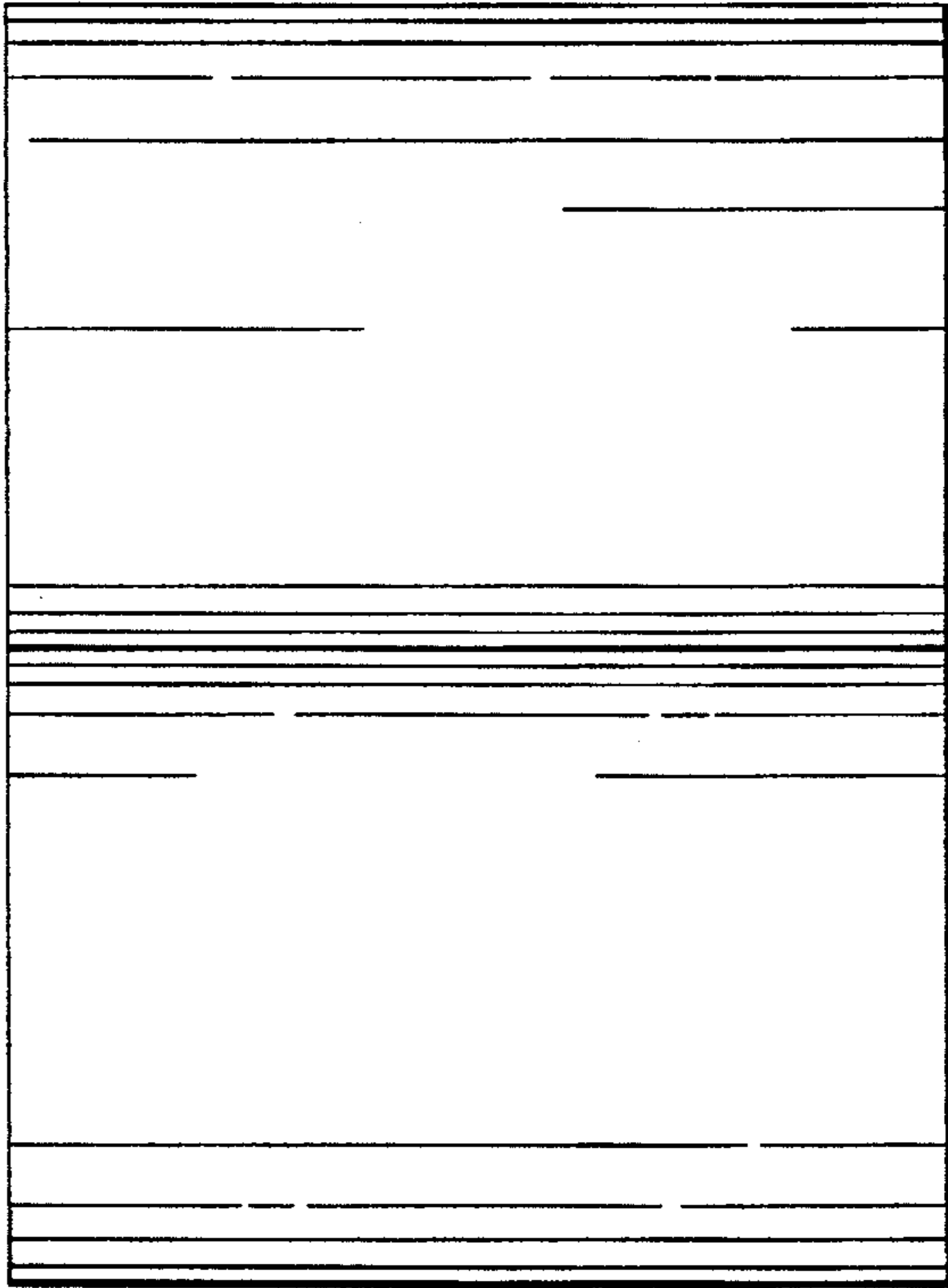


Fig. 5

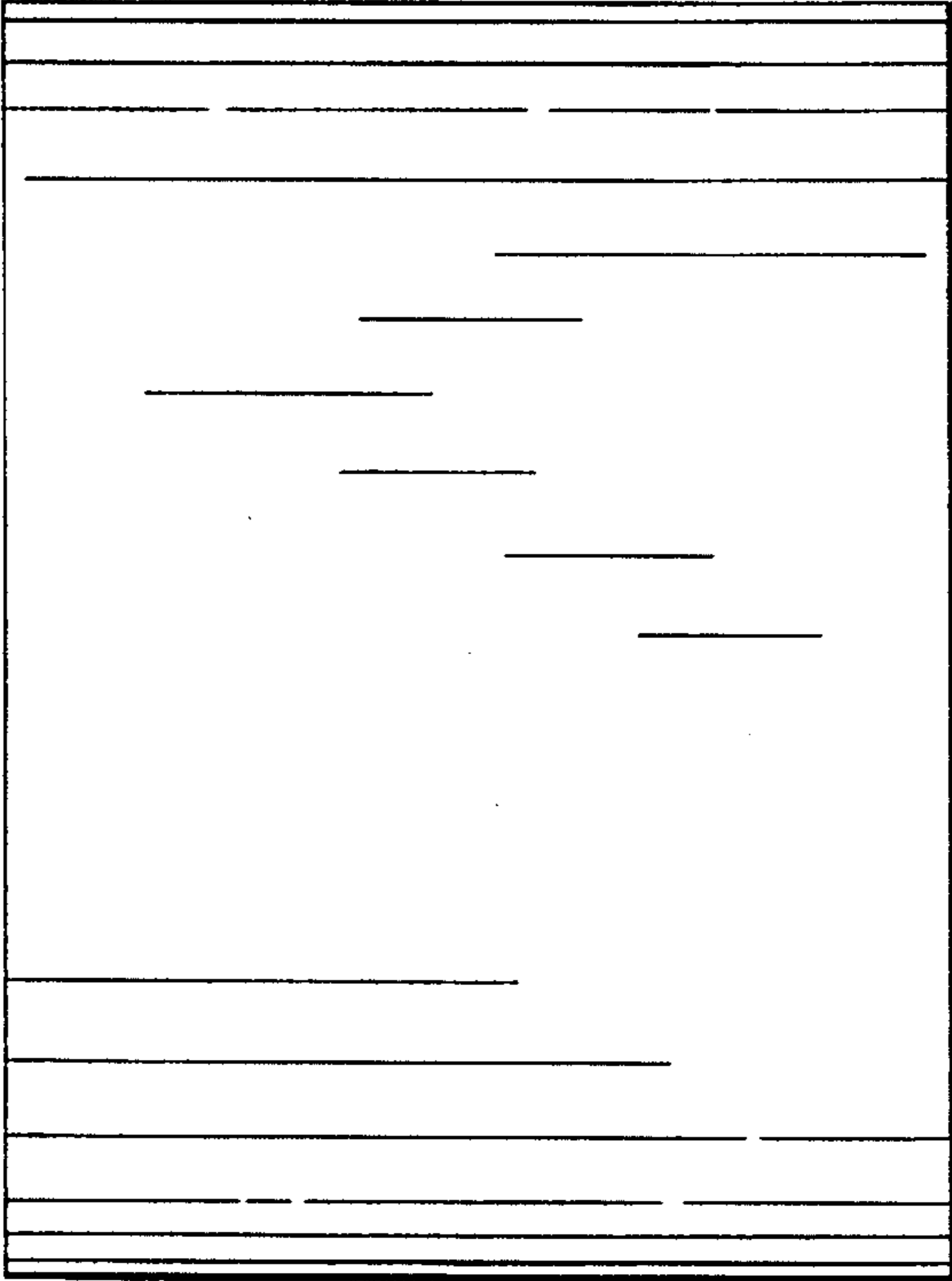


Fig. 6

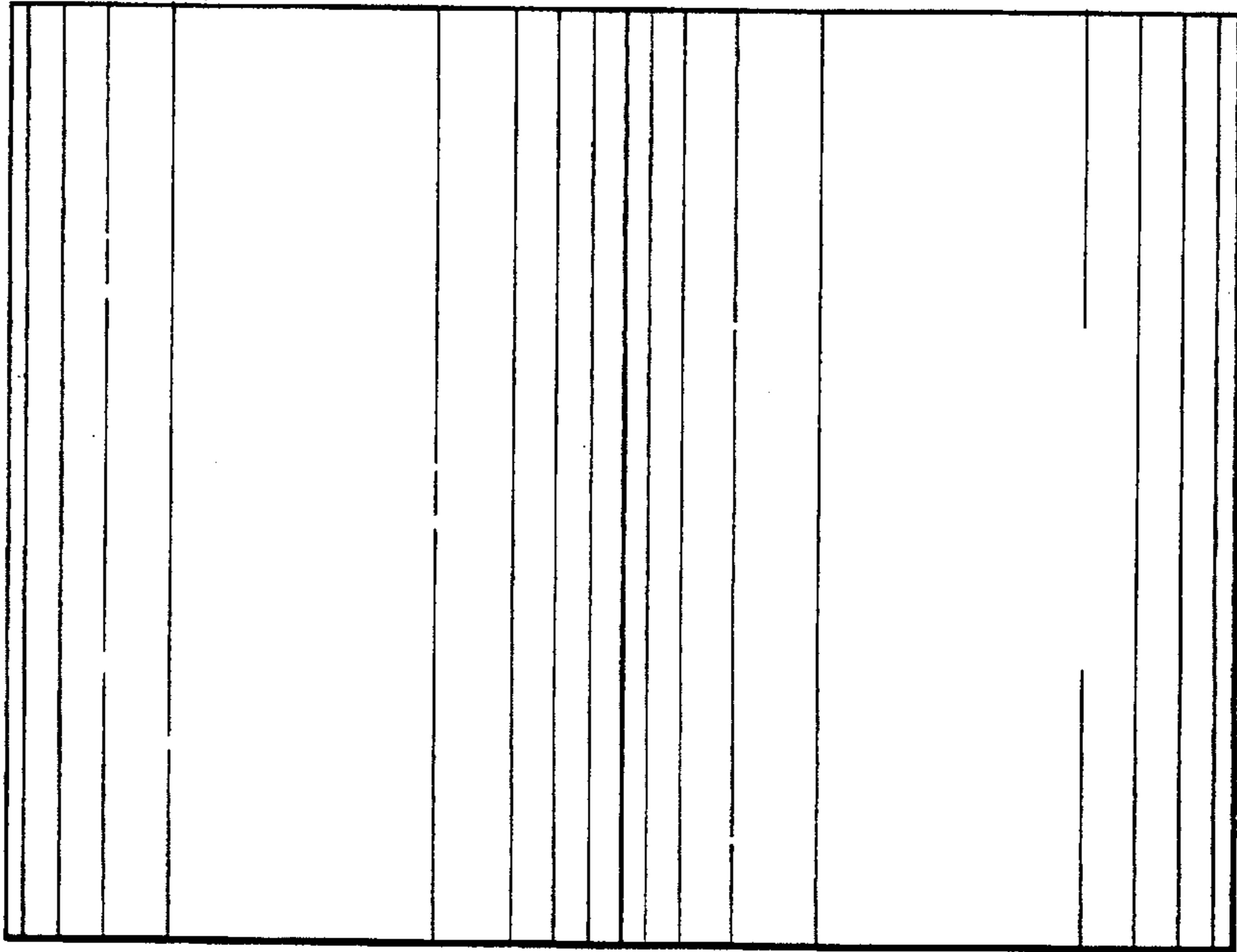


Fig. 7

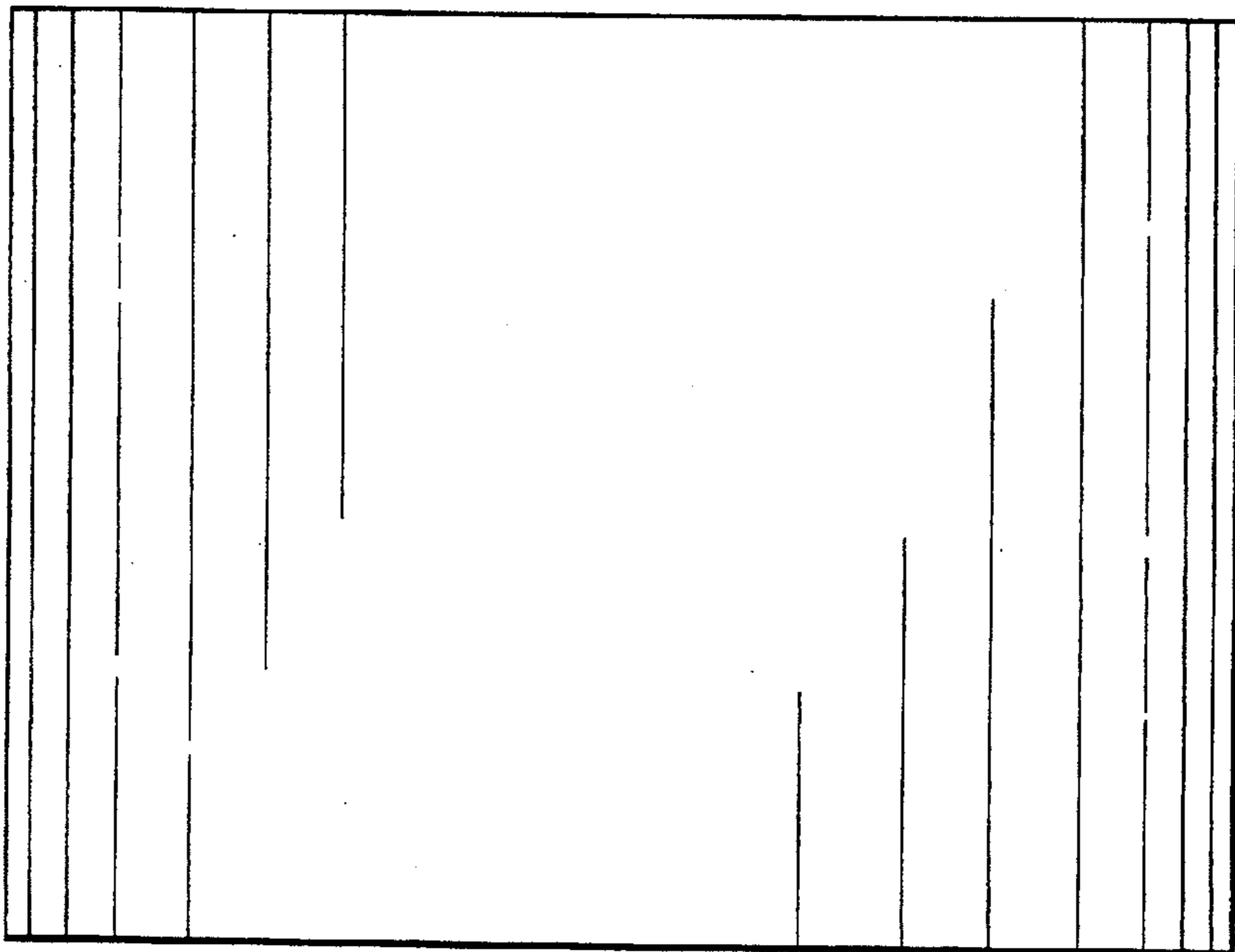


Fig. 8