



US00D383260S

United States Patent [19] Laube

[11] Patent Number: **Des. 383,260**

[45] Date of Patent: ****Sep. 2, 1997**

[54] ANIMAL GROOMING CASING

[76] Inventor: **Kim Laube**, 2221 Statham Blvd.,
Oxnard, Calif. 93033

[**] Term: **14 Years**

[21] Appl. No.: **31,006**

[22] Filed: **Nov. 14, 1994**

Related U.S. Application Data

[63] Continuation-in-part of Ser. No. 881,896, May 12, 1992,
abandoned.

[51] LOC (6) Cl. **30-99**

[52] U.S. Cl. **D30/158; D28/53**

[58] Field of Search 119/83, 85; 132/212,
132/213; 30/169, 26, 28; D28/64.1-64.7,
52-53

[56] References Cited

U.S. PATENT DOCUMENTS

D. 310,734	9/1990	Gallanis	D28/53
D. 340,783	10/1993	McCambridge	D30/158
D. 358,909	5/1995	Rawski	D30/158
2,292,453	8/1942	La Mere	132/213
2,318,848	5/1943	Gibson	D2/53
3,308,500	3/1967	Woodruff	119/85
3,626,546	12/1971	Dove	119/85
4,799,460	1/1989	Kuhl	119/85
5,048,184	9/1991	Saxton	30/169
5,123,430	6/1992	Davidovitz	30/26
5,459,926	10/1995	Perea	30/28

FOREIGN PATENT DOCUMENTS

50068	9/1911	Austria	119/83
670052	9/1963	Canada	30/26
438968	7/1991	European Pat. Off.	30/28
63253	2/1941	Norway	30/167
1731114	5/1992	U.S.S.R.	119/83

OTHER PUBLICATIONS

United States Purchasing Exchange Catalog; p. 2; Pet Vacuum by Pure Pedigree.

Aldens Catalog; S&S 1960; p. 454; Clipper by Charlescraft. Star Pet Catalog; p. 24; Clipper Handpiece and battery pack.

Primary Examiner—Cathy Anne MacCormac
Attorney, Agent, or Firm—Dennis W. Beech

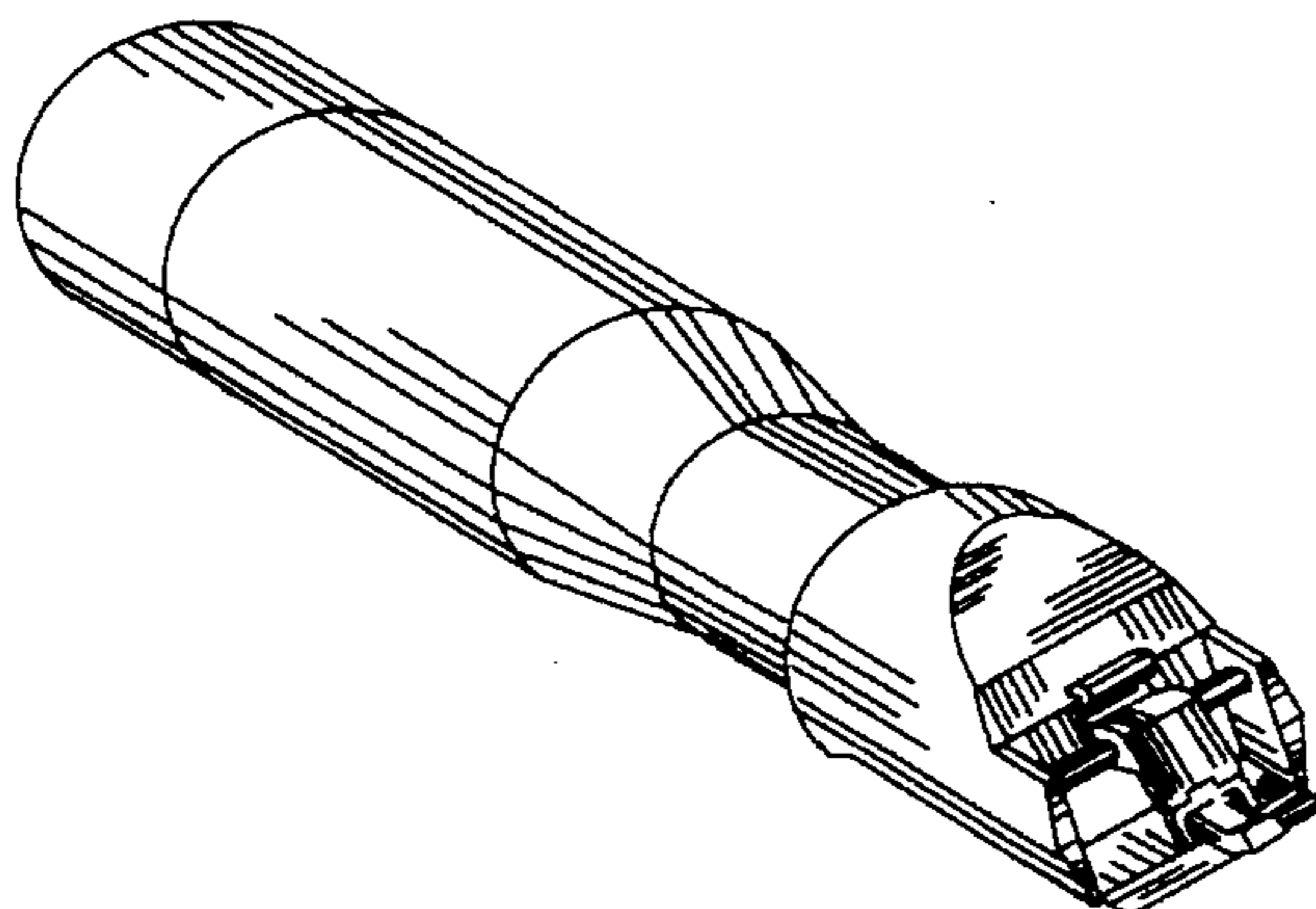
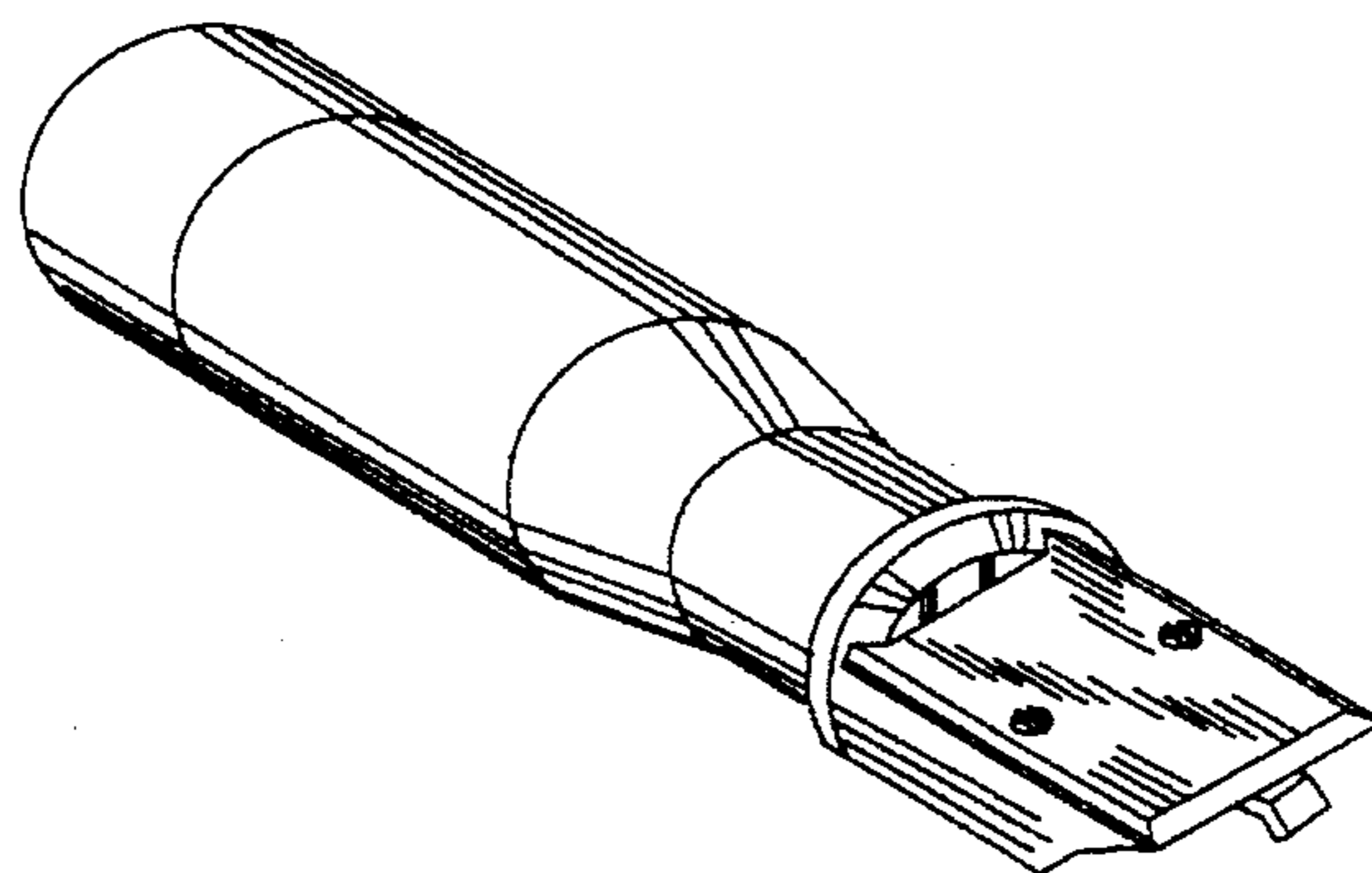
[57] CLAIM

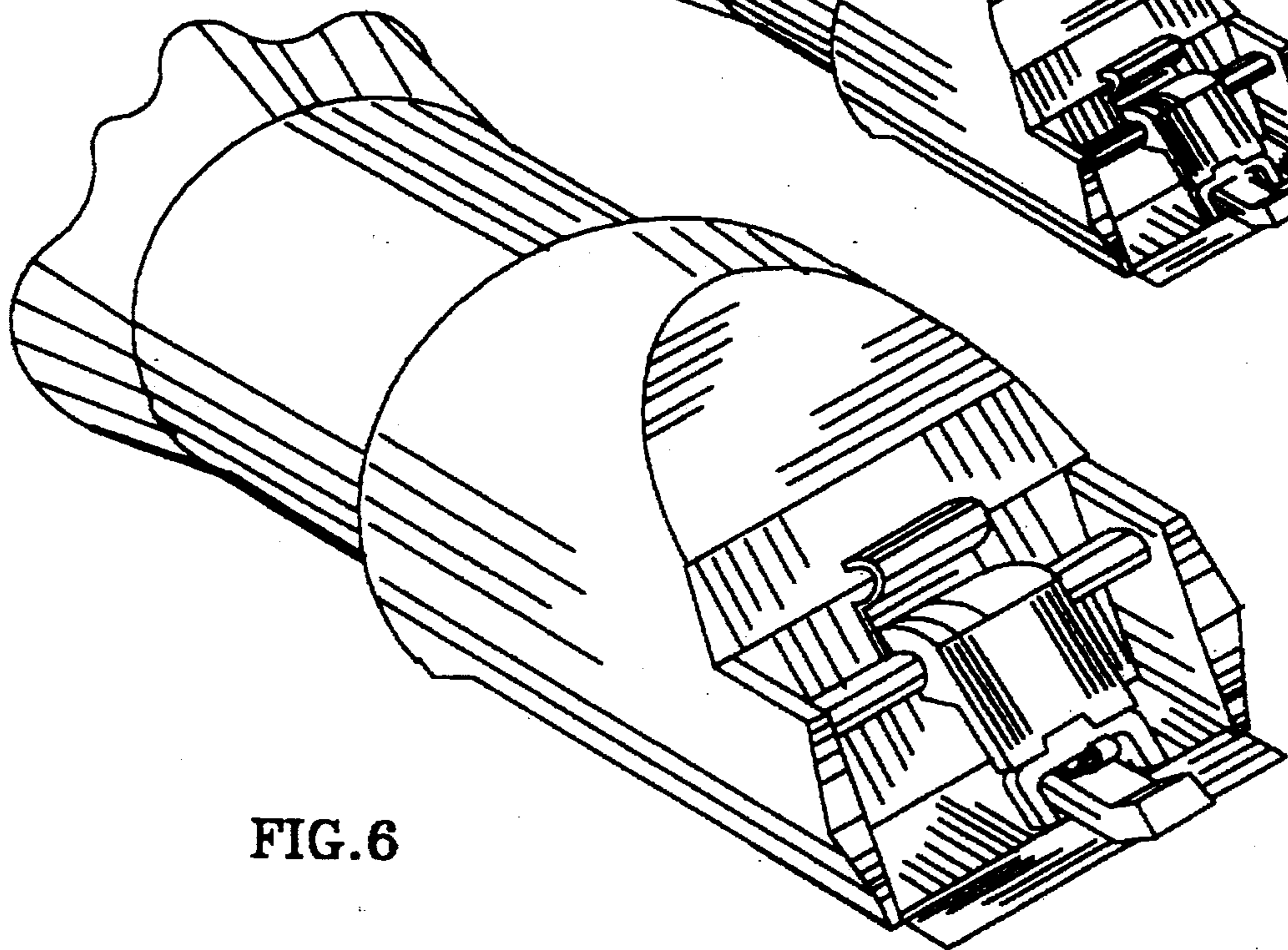
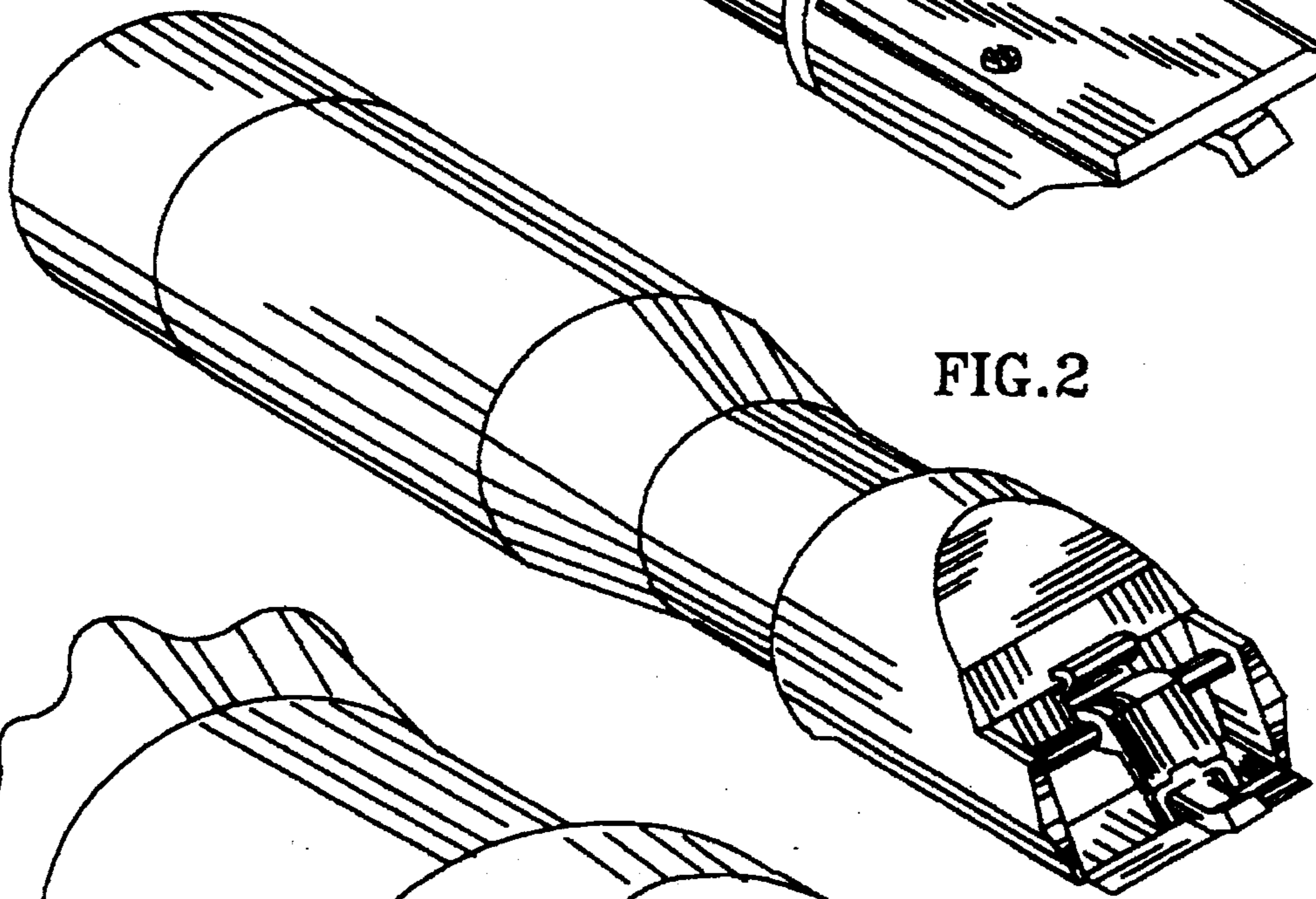
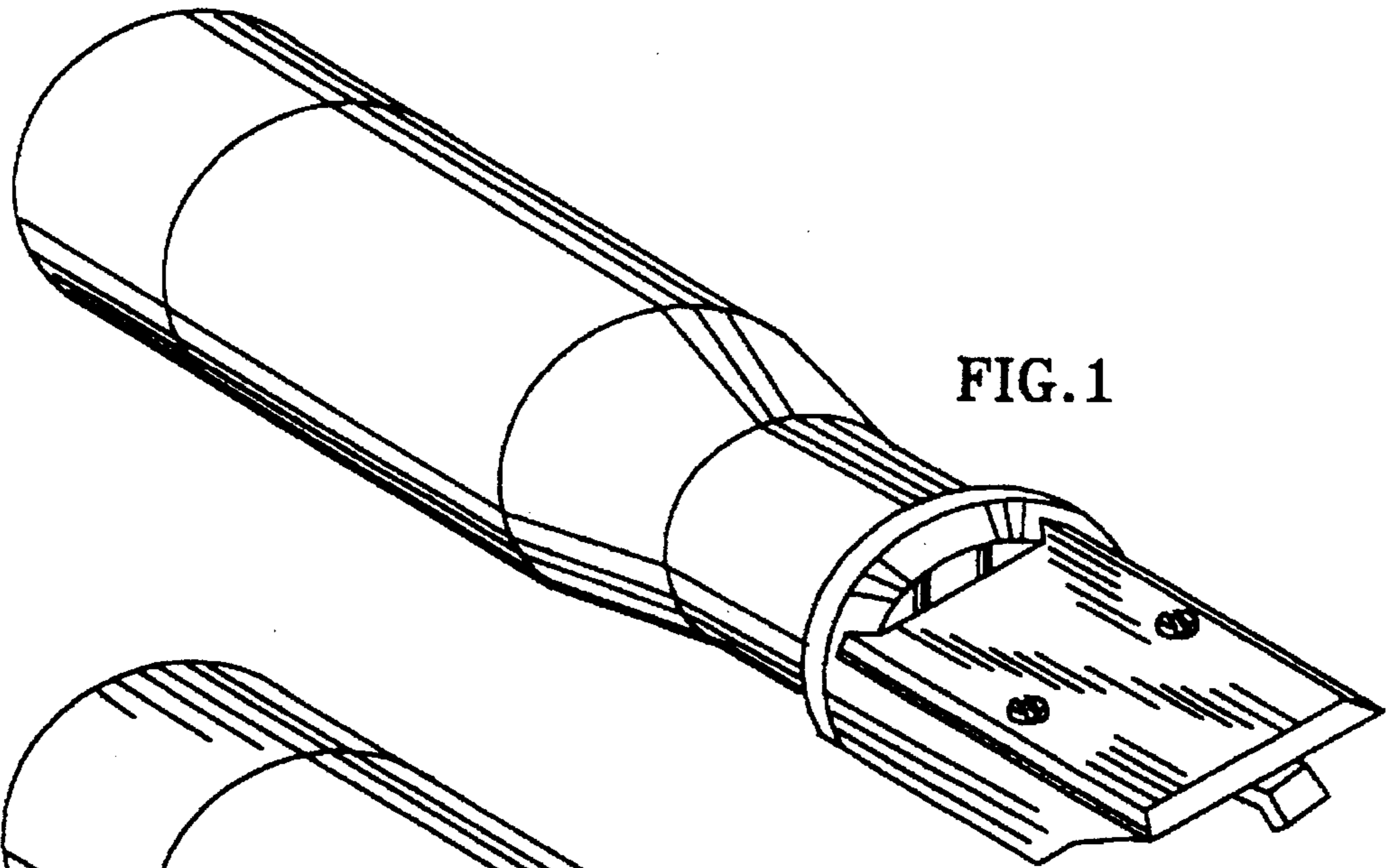
The ornamental design for an animal grooming casing, as shown and described.

DESCRIPTION

FIG. 1 is a perspective view taken from the front and left side of an animal grooming casing showing my new design; FIG. 2 is another perspective view taken from the rear and right side thereof; FIG. 3 is an end view thereof; FIG. 4 is a rear elevation view thereof; FIG. 5 is a right side elevation view thereof; FIG. 6 is an enlarged view of a portion of FIG. 2; and, FIG. 7 is an opposite end view thereof.

1 Claim, 2 Drawing Sheets





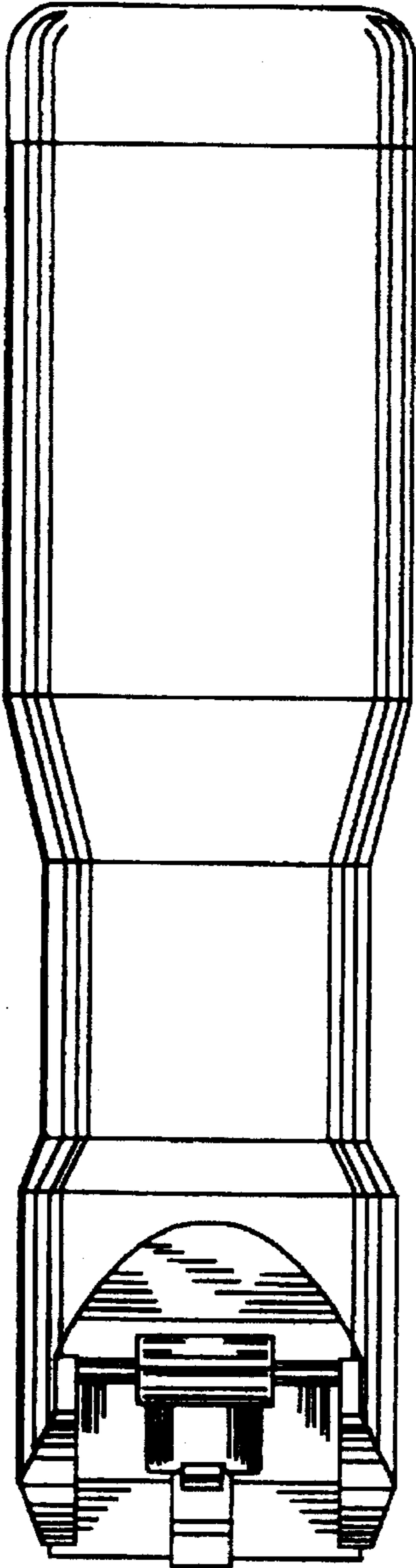


FIG. 4

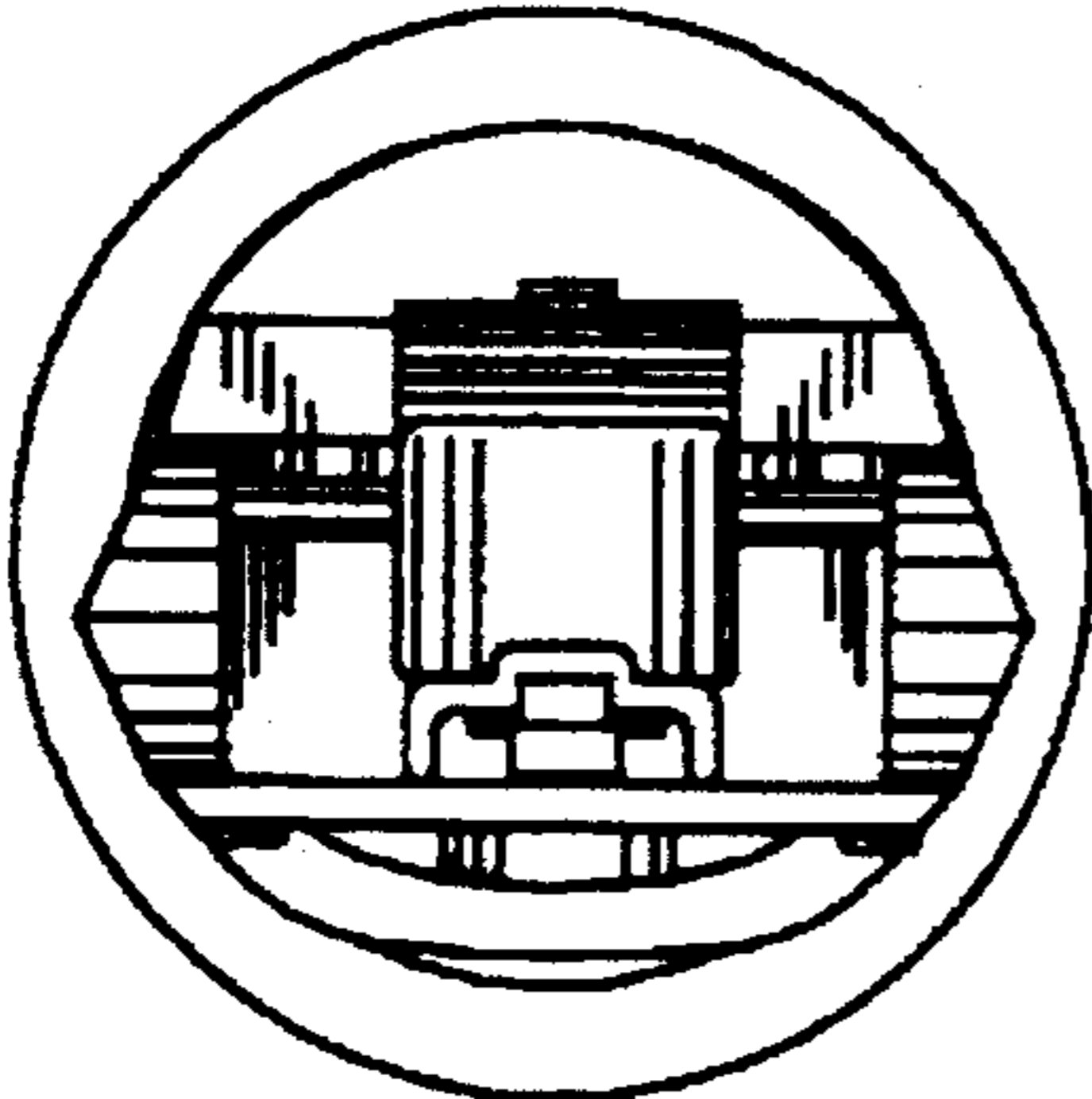


FIG. 7

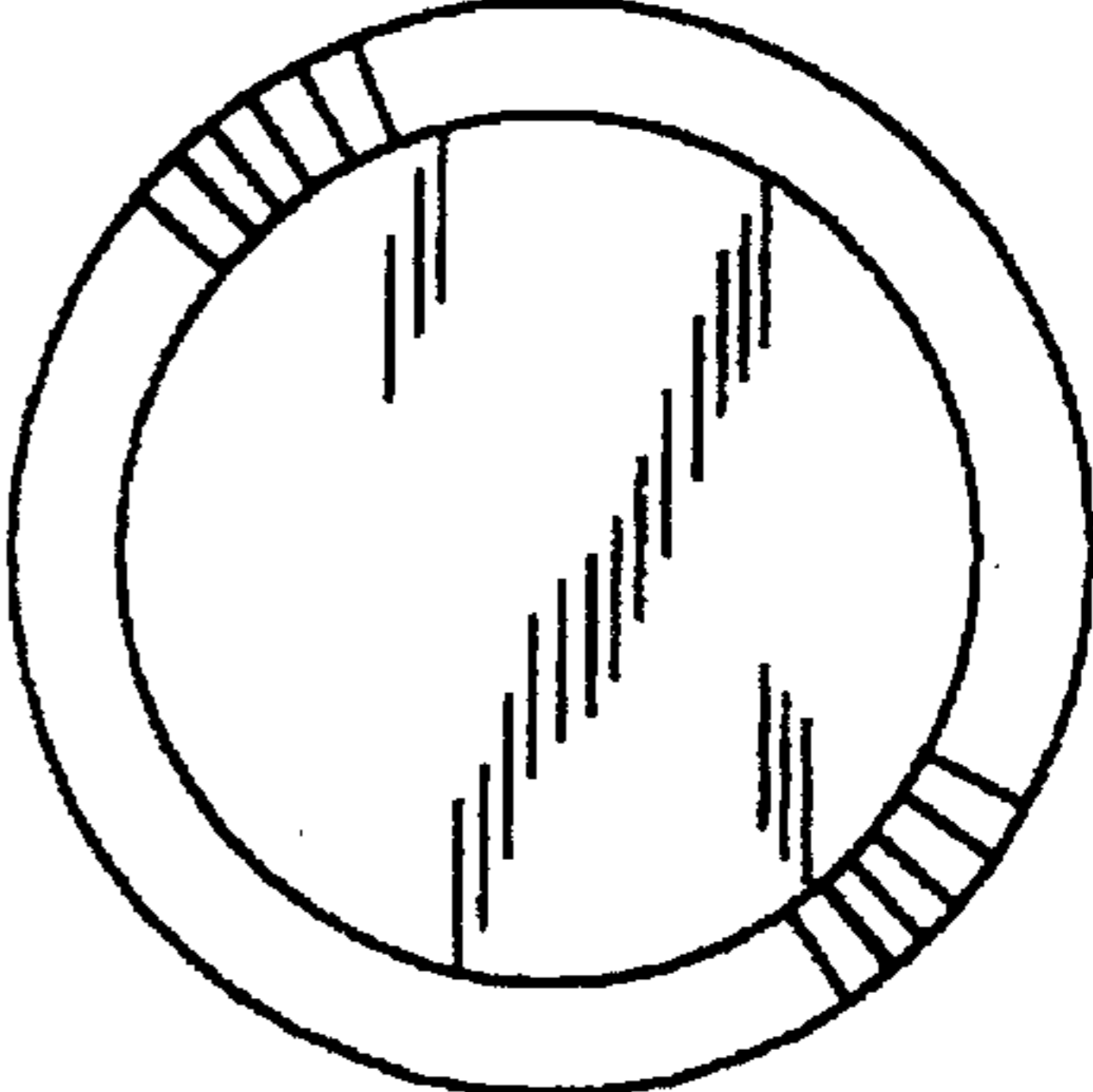


FIG. 3

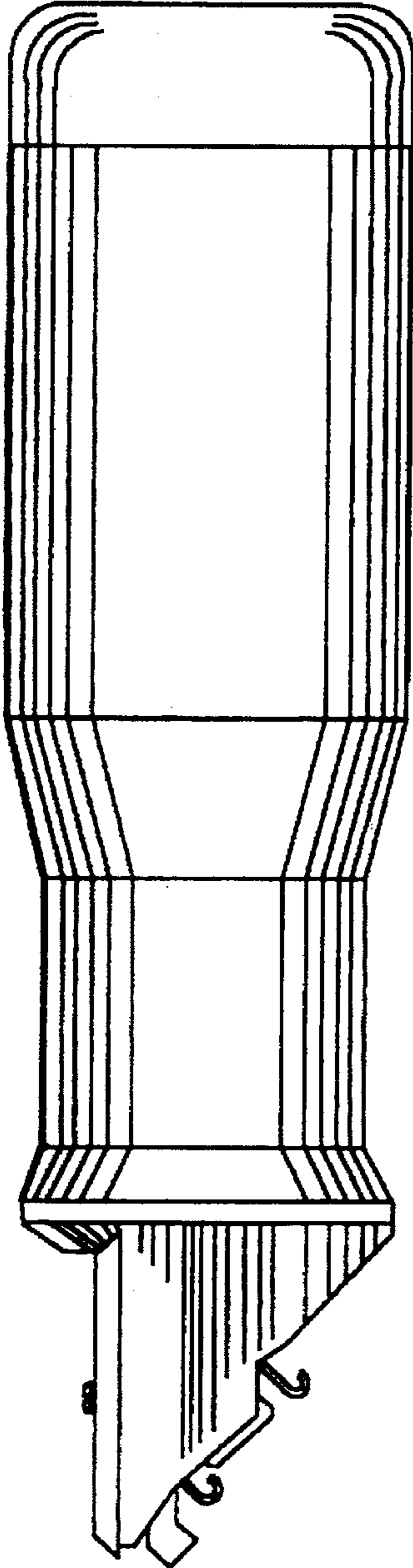


FIG. 5