



US00D383257S

United States Patent [19]

[11] Patent Number: **Des. 383,257**

Clark

[45] Date of Patent: ****Sep. 2, 1997**

- [54] SPUR
- [76] Inventor: **Tim C. Clark**, 605 Harrison, Caldwell, Id. 83605
- [**] Term: **14 Years**
- [21] Appl. No.: **51,366**
- [22] Filed: **Mar. 7, 1996**
- [51] LOC (6) Cl. **30-05**
- [52] U.S. Cl. **D30/157**
- [58] Field of Search D2/946, 976, 909, D2/910; D30/157; 36/74; 54/83.1

4,501,110 2/1985 Kibler 54/83.1
 5,450,712 9/1995 Van Scoyk 54/83.1

OTHER PUBLICATIONS

North & Judd Manufacturing Co., Jan. 1899 All Four Spurs.

Primary Examiner—Doris V. Coles
Attorney, Agent, or Firm—Ken J. Pedersen; Barbara S. Pedersen

[56] References Cited

U.S. PATENT DOCUMENTS

- D. 11,080 3/1879 Buermann D3/157
- D. 84,490 6/1931 Ormiston D3/157
- D. 209,214 11/1967 Markim D30/157
- D. 352,805 11/1994 Martin D30/157
- 973,367 10/1910 McKinney 54/83.1
- 2,454,228 11/1948 Smith 54/83.1
- 4,443,996 4/1984 Welton et al. 36/74 X

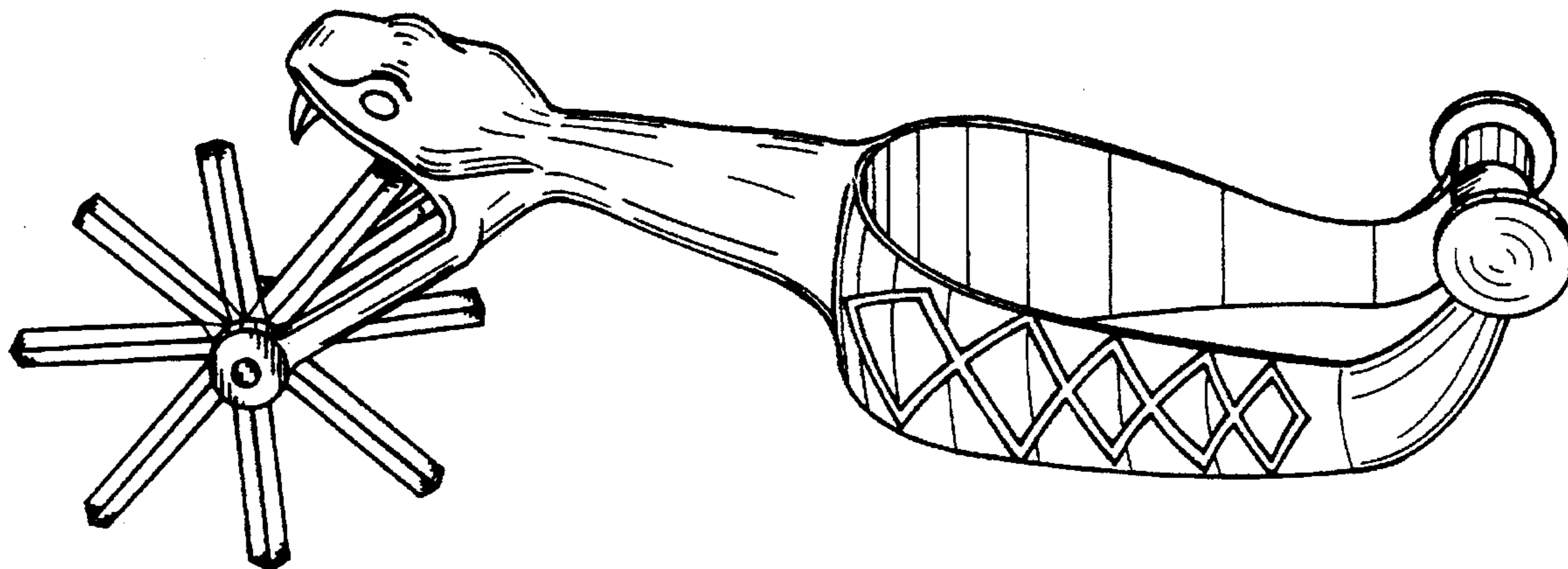
[57] CLAIM

The ornamental design for a spur, as shown and described.

DESCRIPTION

FIG. 1 is a perspective view of a spur, showing my new design;
 FIG. 2 is a top plan view thereof;
 FIG. 3 is a bottom plan view thereof;
 FIG. 4 is a right side elevational view thereof, with the left side of the spur being a mirror image of the right side;
 FIG. 5 is a rear elevational view thereof; and,
 FIG. 6 is a front elevational view thereof.

1 Claim, 6 Drawing Sheets



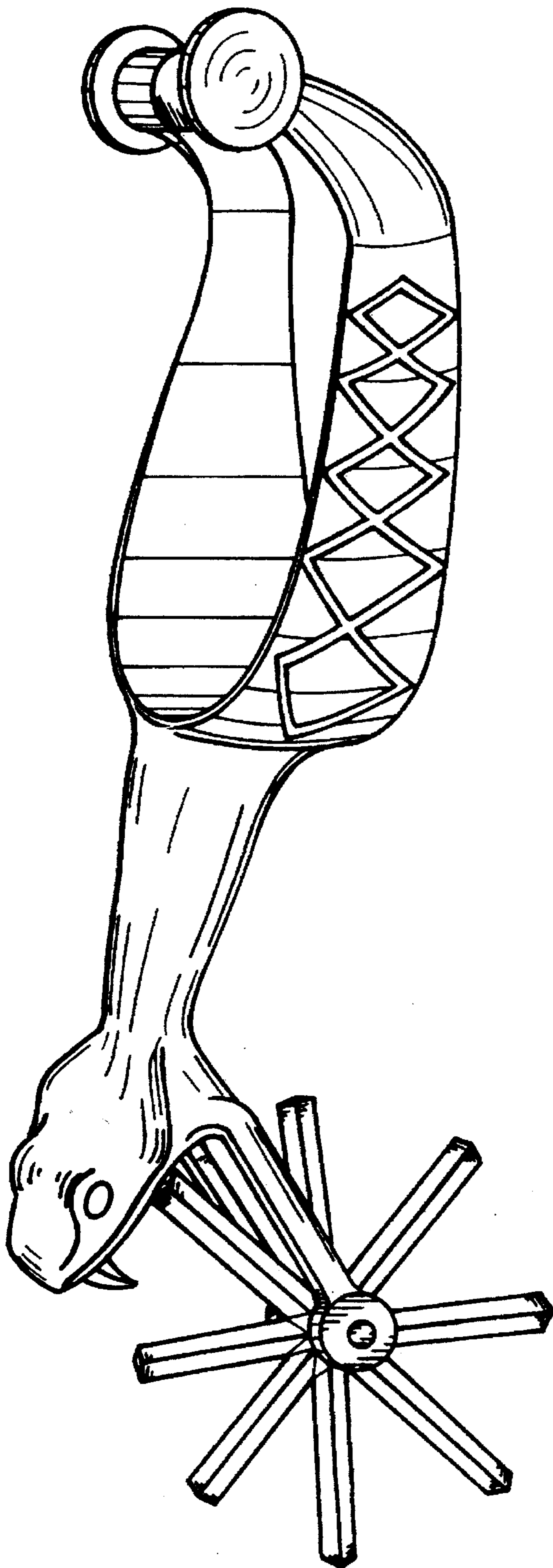


FIG. 1

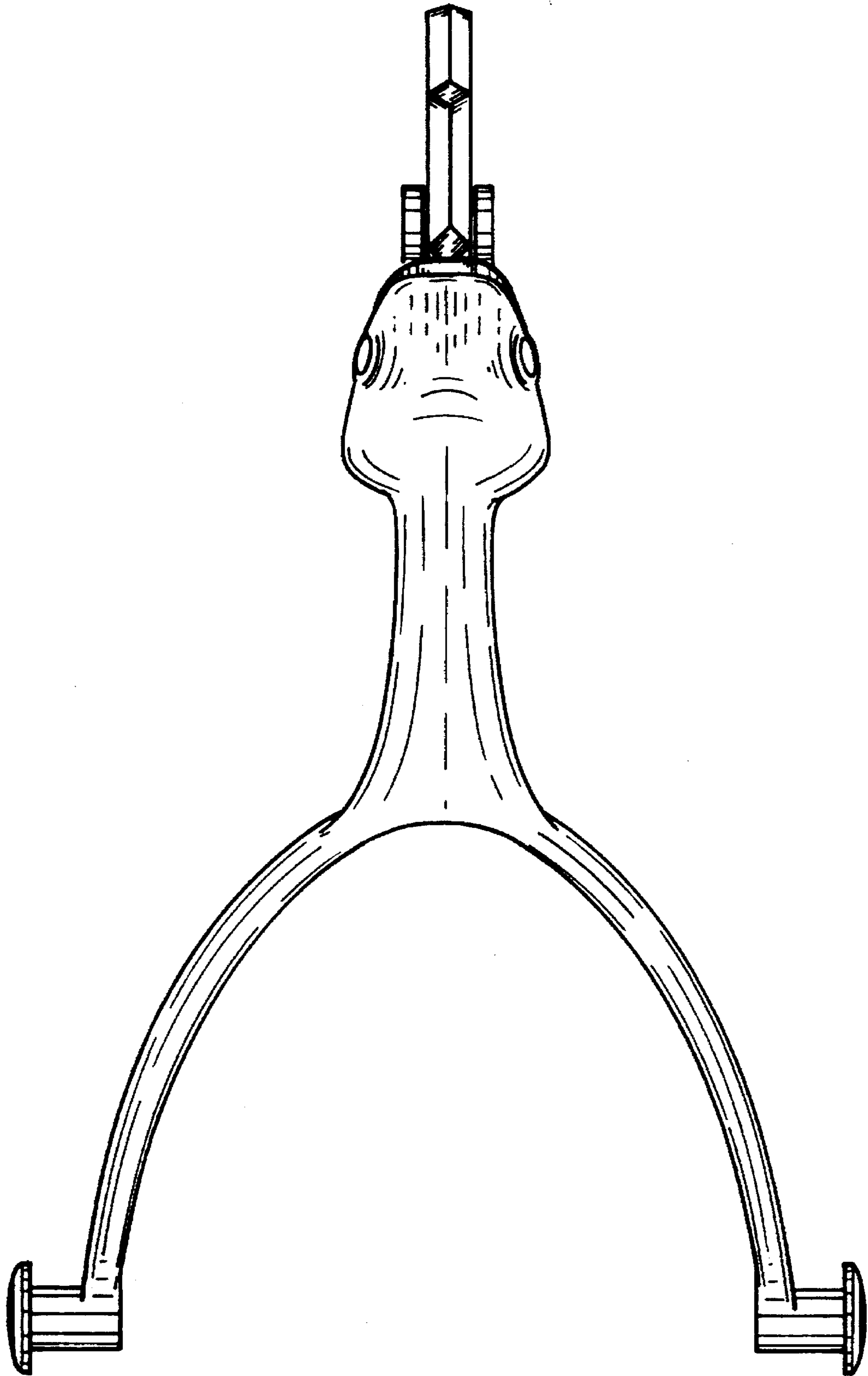


FIG. 2

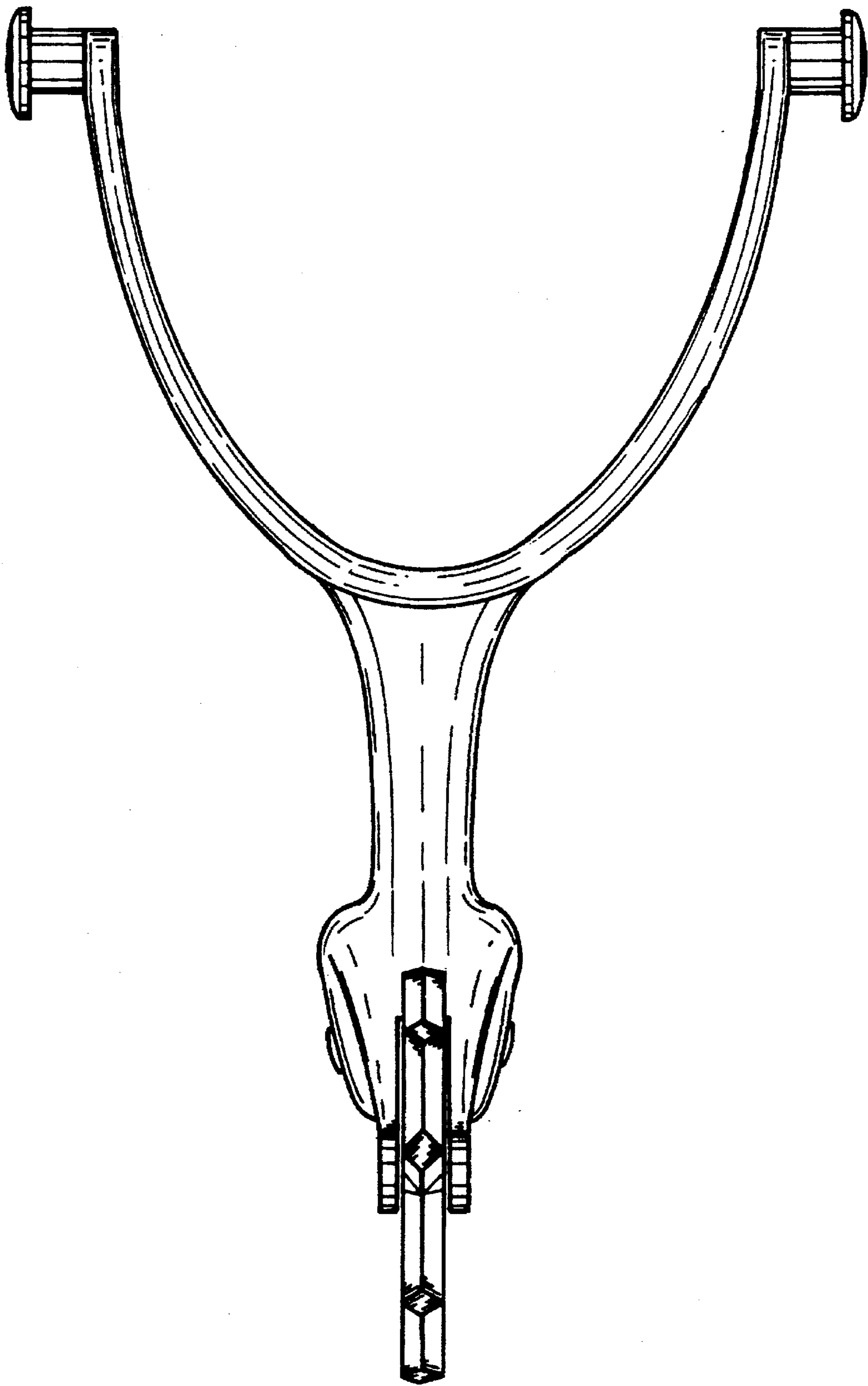


FIG. 3

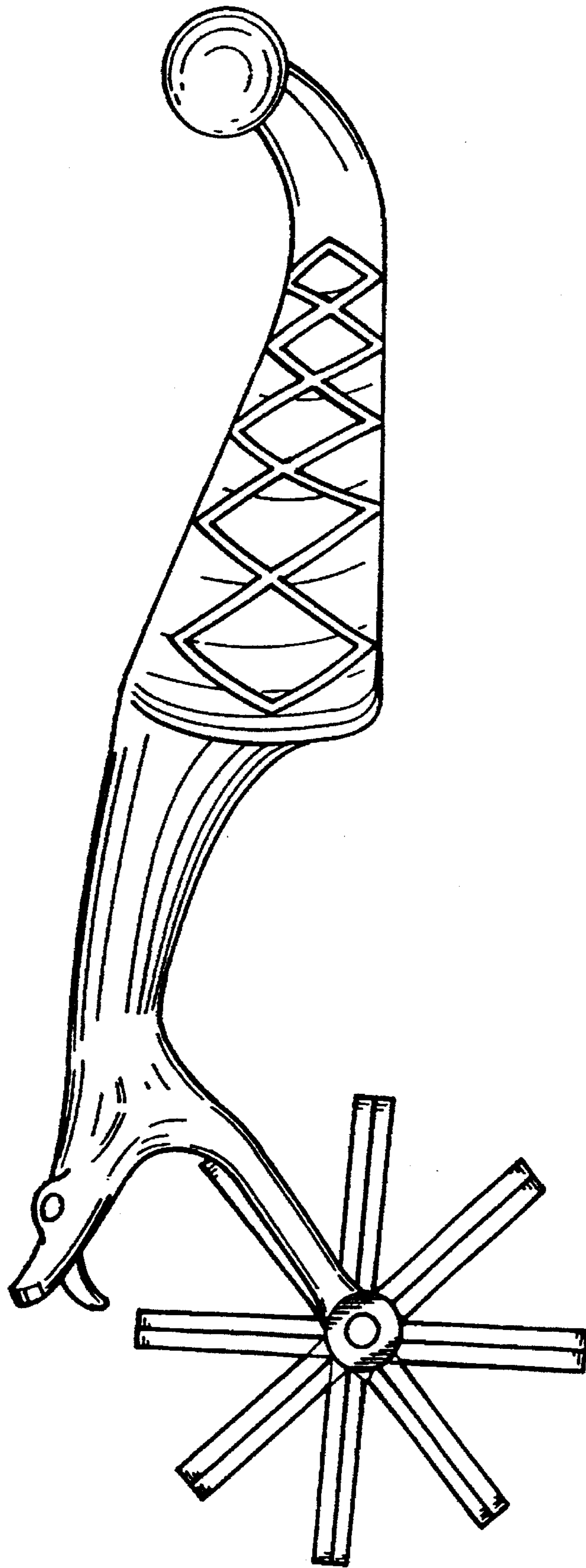


FIG. 4

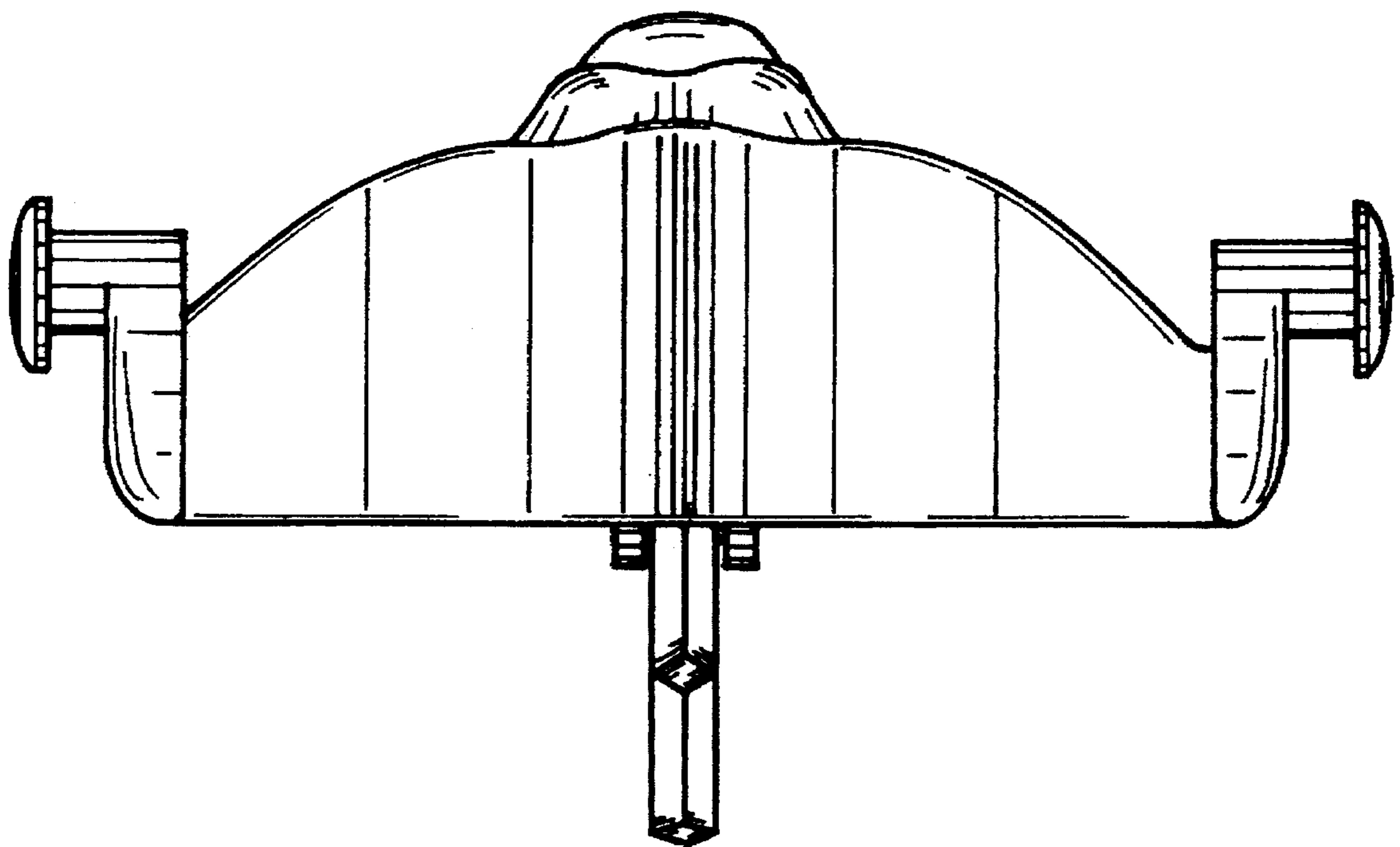


FIG. 5

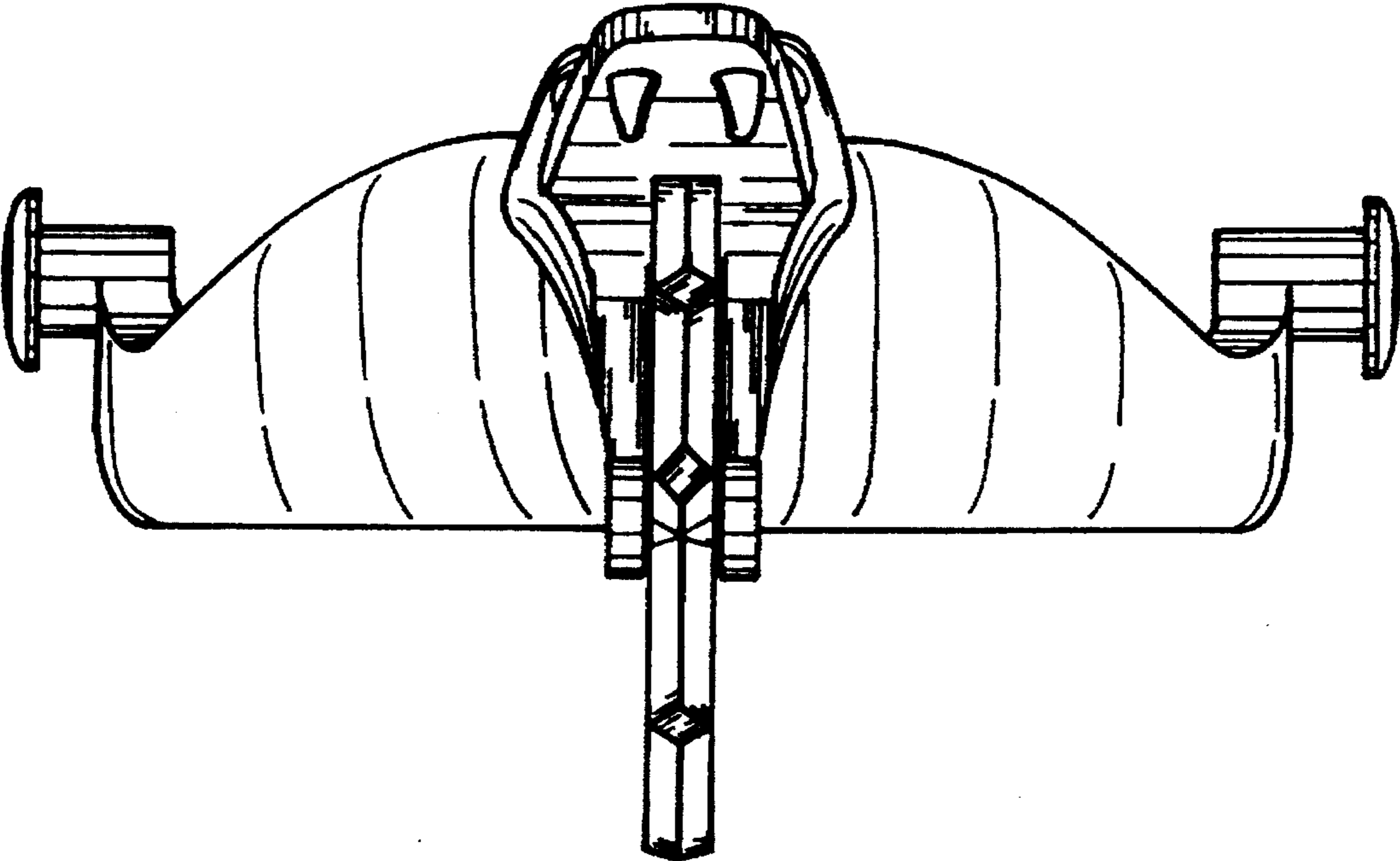


FIG. 6