



US00D383252S

United States Patent [19] Pearce

[11] Patent Number: Des. 383,252

[45] Date of Patent: **Sep. 2, 1997

[54] ANIMAL FEEDING BOWL

5,284,173 2/1994 Graves et al. 119/77
5,467,733 11/1995 Messina 119/464

[76] Inventor: Woodrow W. Pearce, 1601 Puebla Dr.,
Glendale, Calif. 91207

FOREIGN PATENT DOCUMENTS

[**] Term: 14 Years

658570 11/1986 Switzerland 119/61
2113519 8/1983 United Kingdom 119/61

[21] Appl. No.: 56,629

Primary Examiner—Cathy Anne MacCormac
Attorney, Agent, or Firm—Christie, Parker & Hale LLP

[22] Filed: Jul. 3, 1996

[51] LOC (6) Cl. 30-02

[52] U.S. Cl. D30/119; D30/129; D30/132

[58] Field of Search 119/61, 475, 477,
119/460, 466, 464-465; D30/119, 129-133,
181, 161; D7/560

[57] CLAIM

The ornamental design for animal feeding bowl, as shown and described.

DESCRIPTION

FIG. 1 is an exploded perspective view of an animal feeding bowl showing my new design;
FIG. 2 is a front elevational view thereof;
FIG. 3 is a top plan view thereof;
FIG. 4 is a bottom plan view thereof;
FIG. 5 is a left side elevational view thereof;
FIG. 6 is a right side elevational view thereof; and,
FIG. 7 is another perspective view thereof.
The broken lines in FIGS. 1 and 7 are for purposes of illustration only and form no part of the claimed design.

[56] References Cited

U.S. PATENT DOCUMENTS

D. 353,518	12/1994	Cautereels	D7/560
1,718,432	6/1929	Qualmann	D30/133
1,879,332	9/1932	Kulp	119/61
1,909,244	5/1933	Ahlman	119/61
4,148,155	4/1979	Allen	119/77
4,541,363	9/1985	Paoluccio	119/77
4,762,086	8/1988	Atchley	119/77
5,072,903	12/1991	Griffin	D30/133

1 Claim, 5 Drawing Sheets

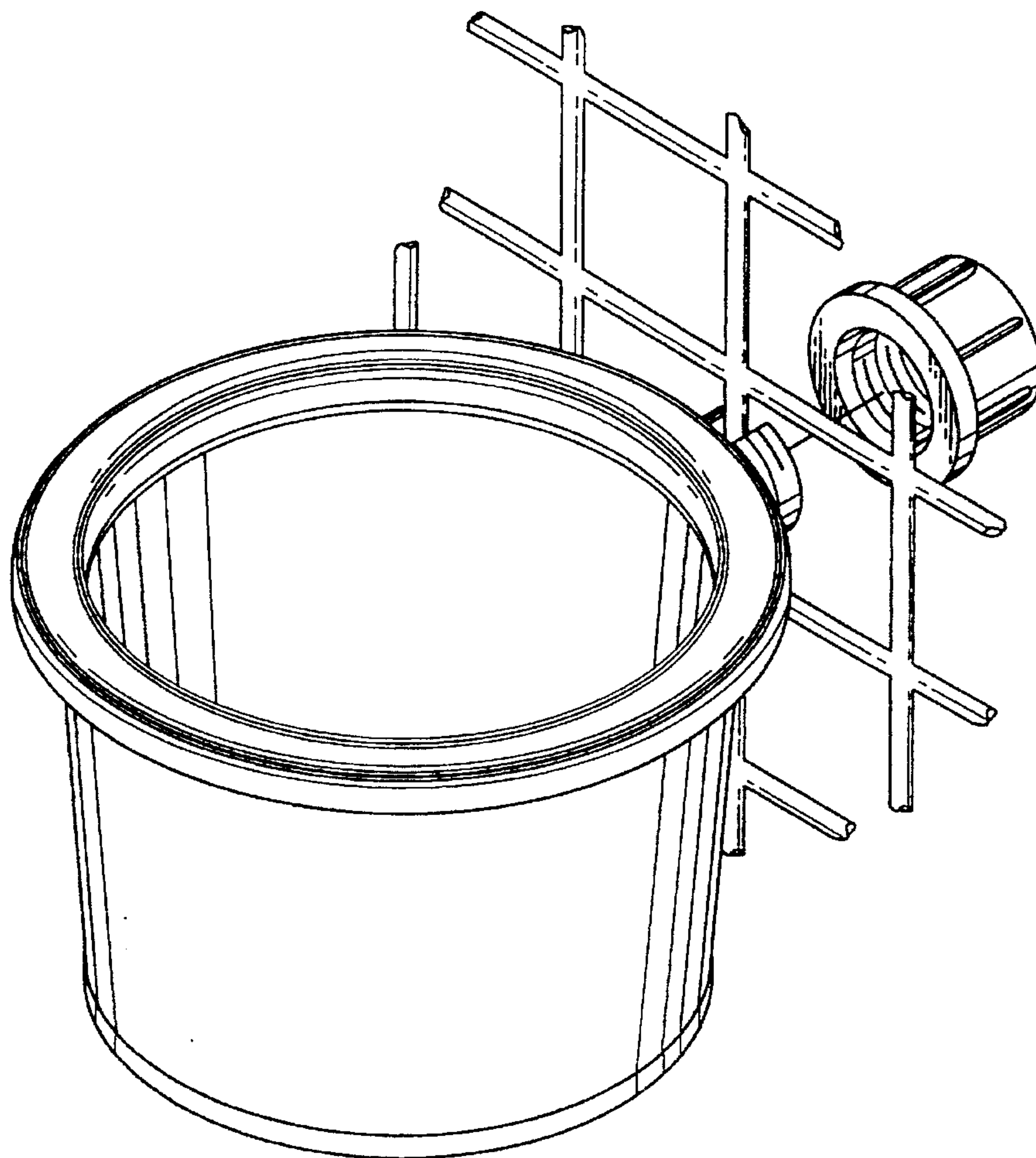


FIG. 1

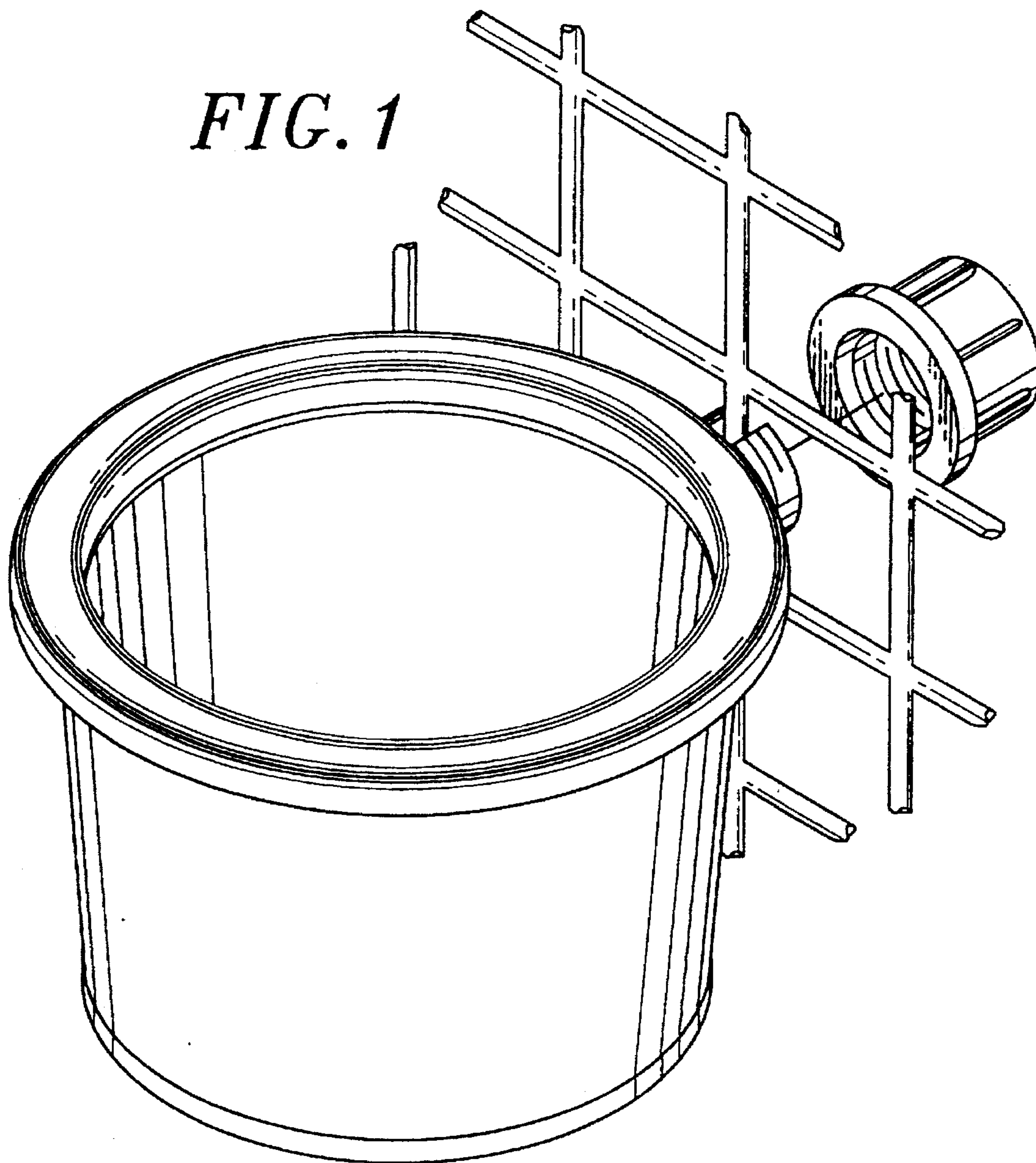


FIG. 2

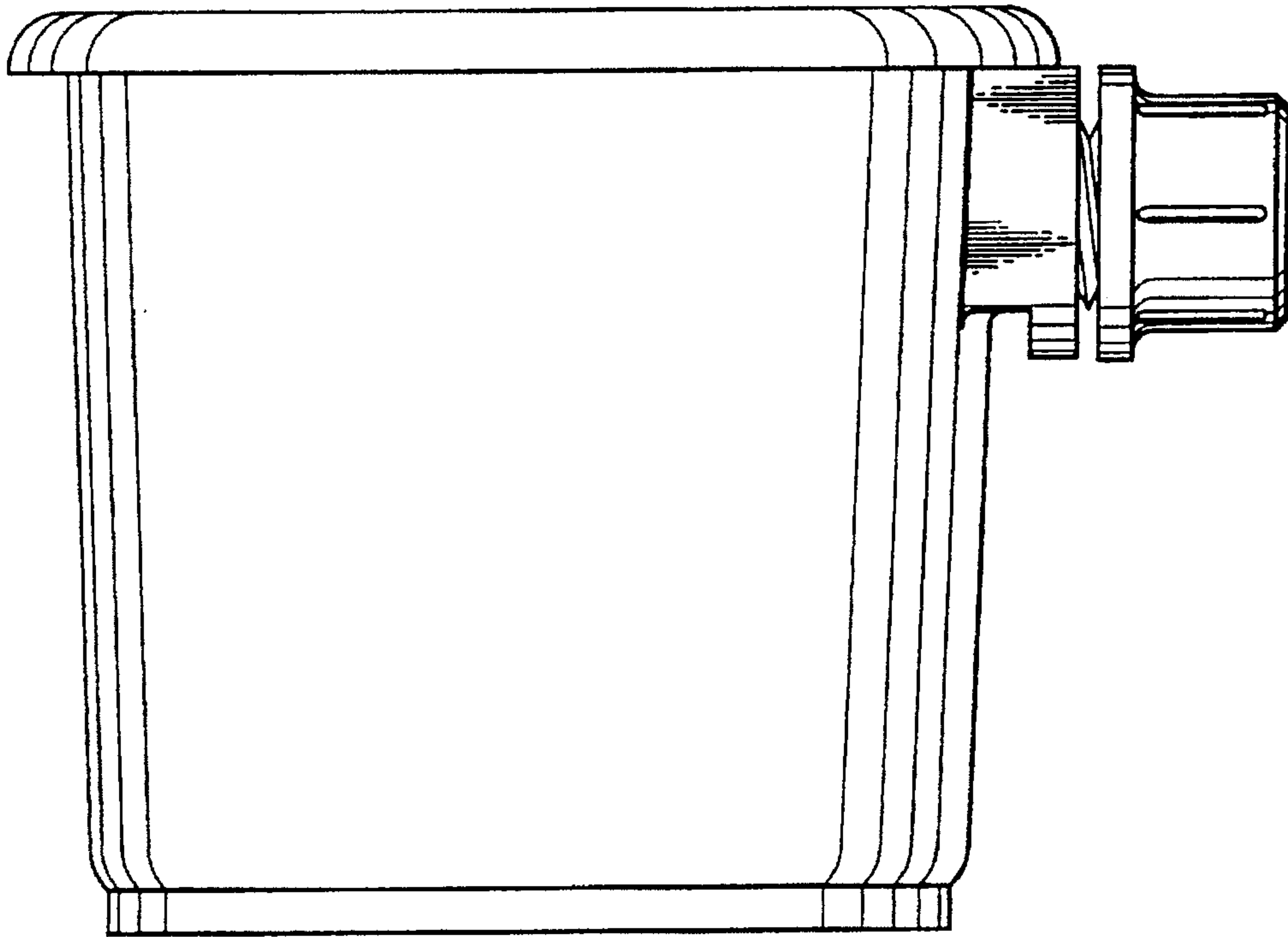


FIG. 3

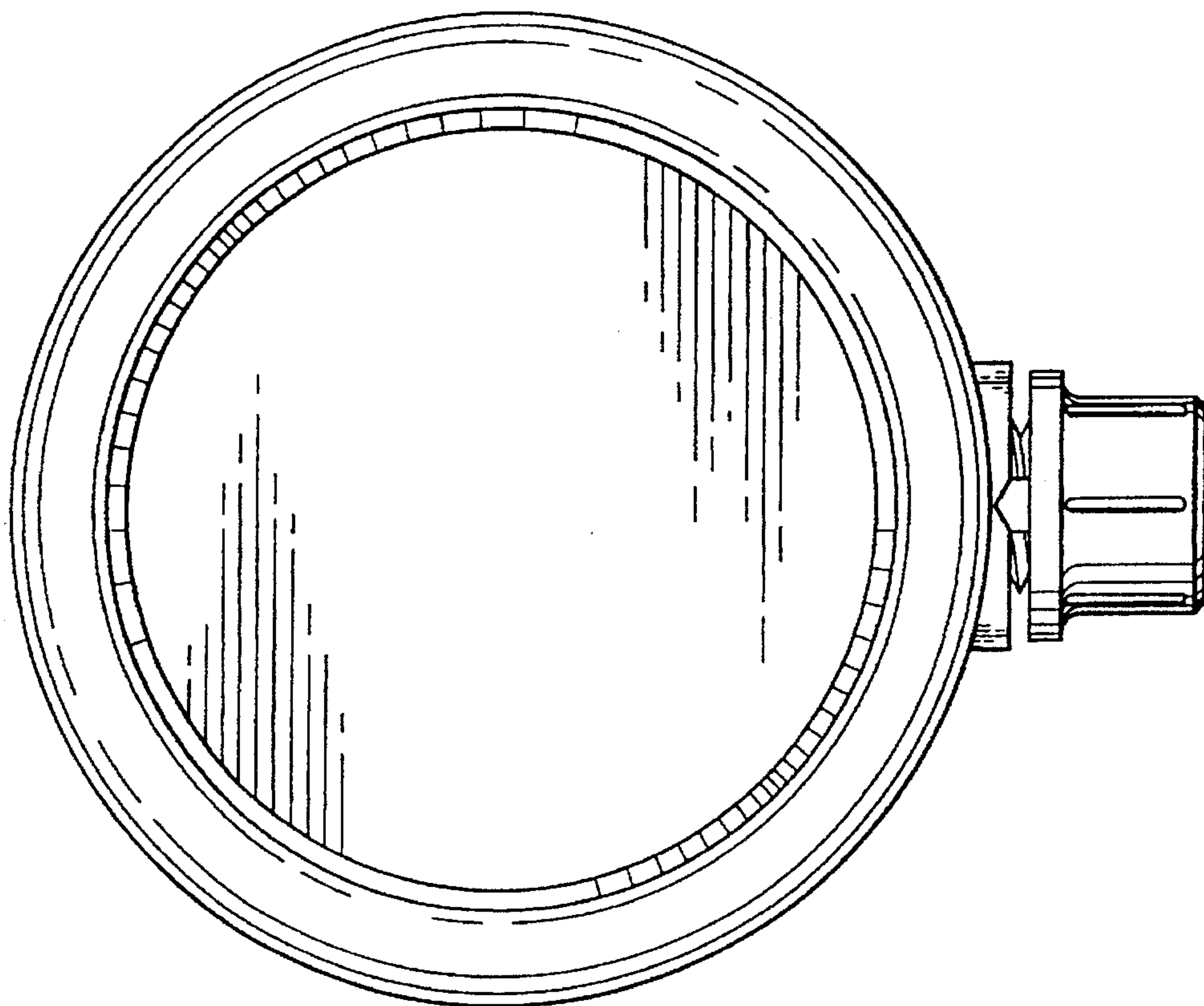


FIG. 4

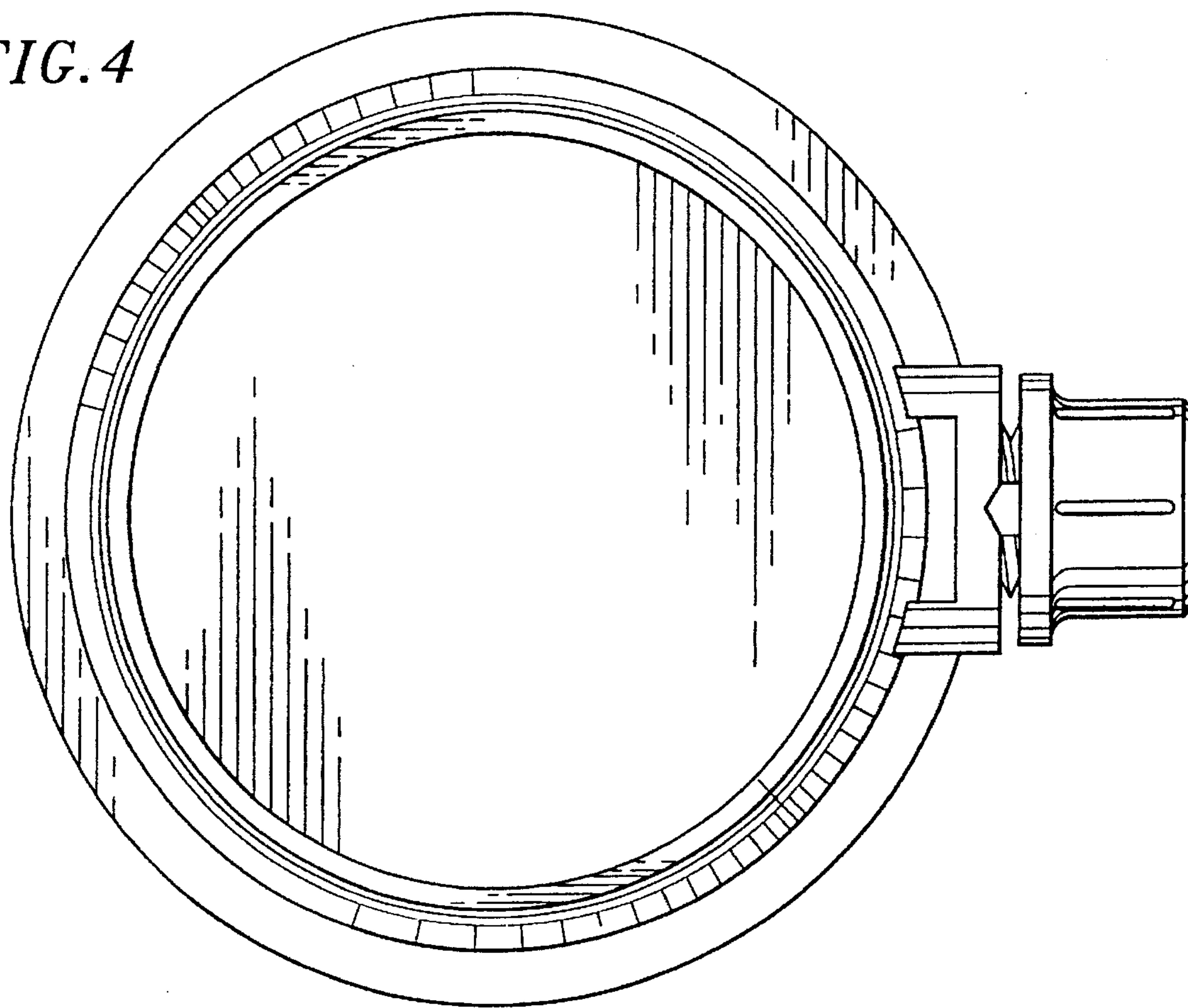


FIG. 6

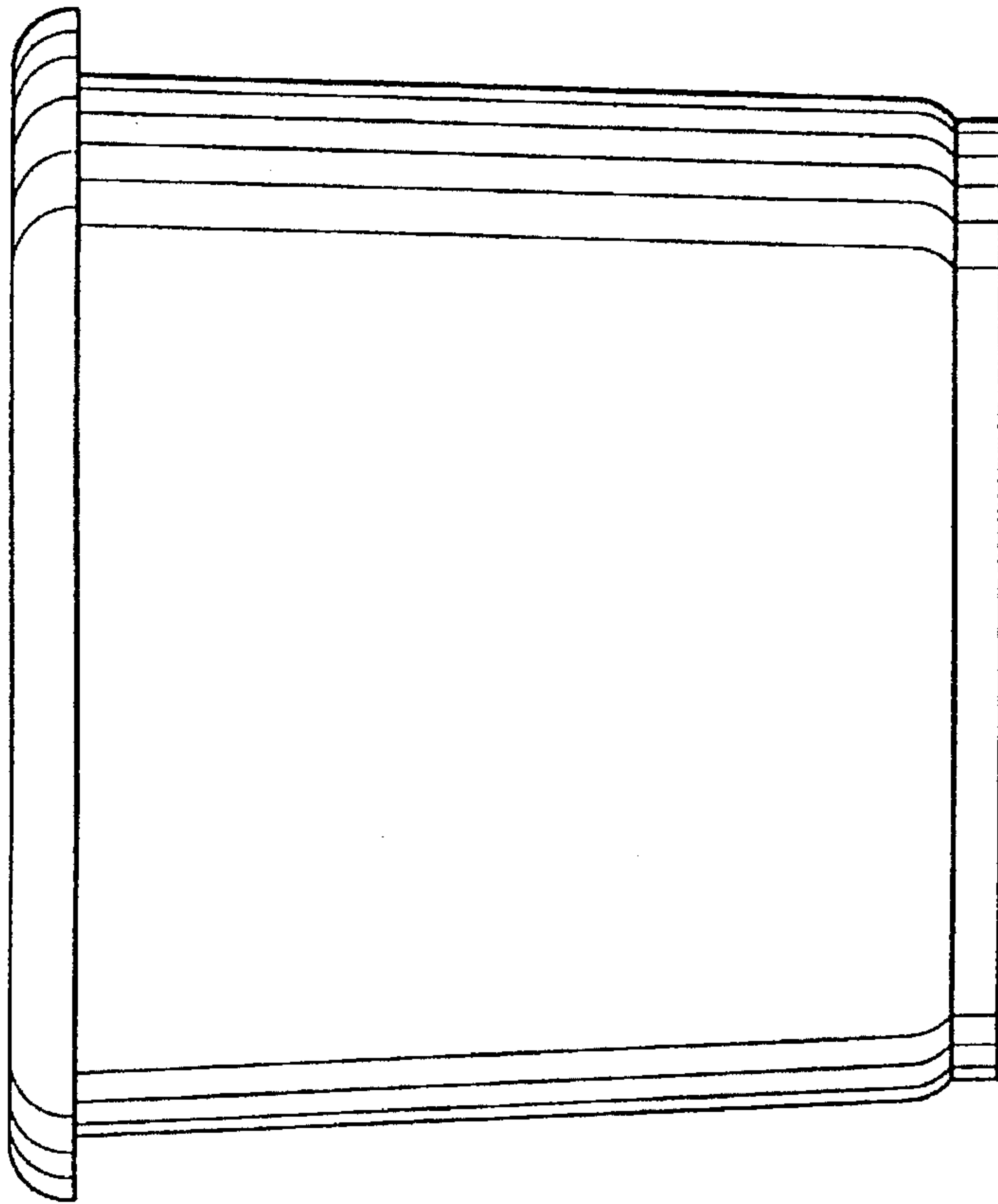


FIG. 5

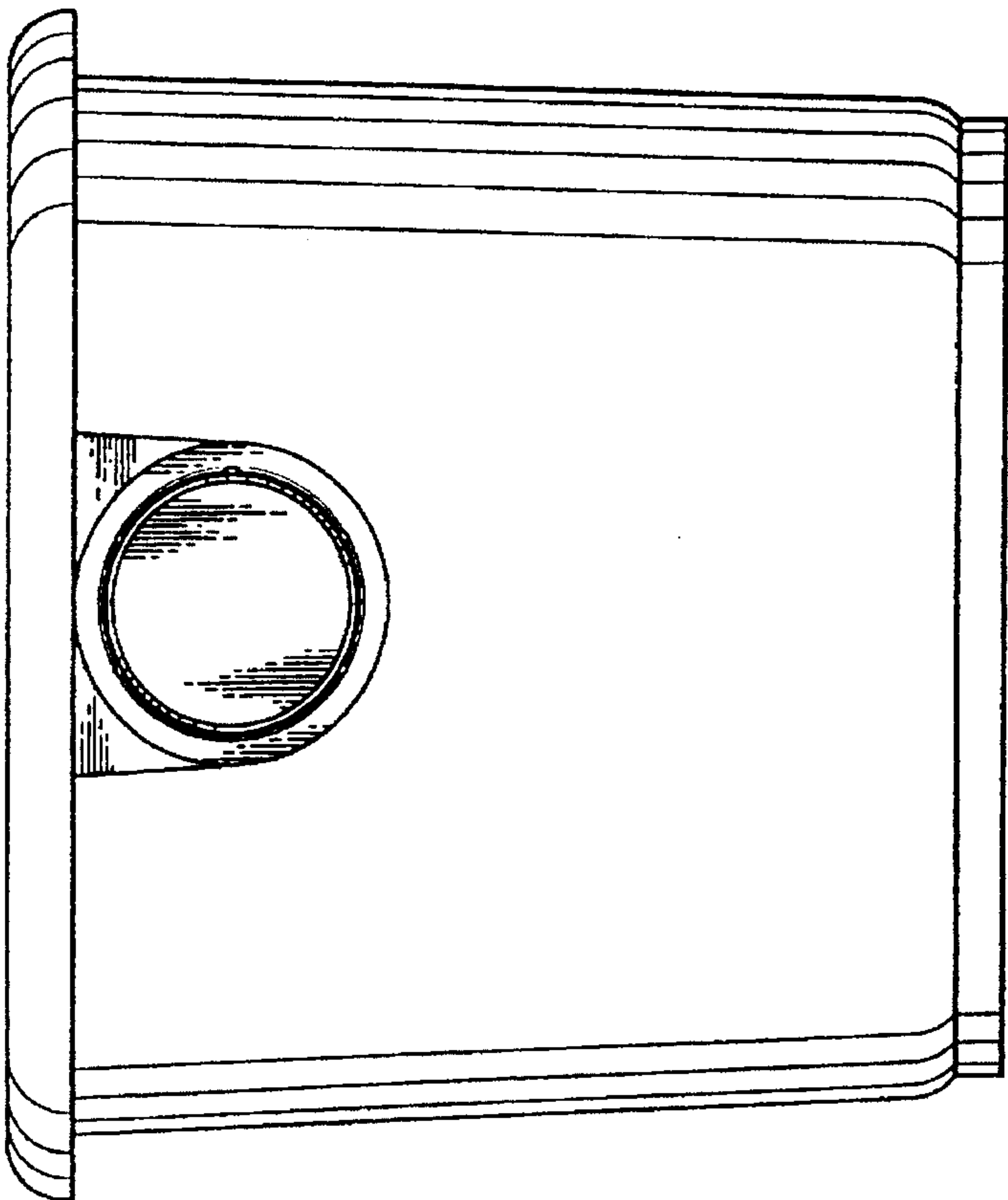


FIG. 7

