



US00D383250S

United States Patent [19]

[11] Patent Number: **Des. 383,250**

Amico

[45] Date of Patent: ****Sep. 2, 1997**

[54] **COMBINED LEG AND ANKLE GUARD**

- D. 278,567 4/1985 Rasmussen D29/120
- D. 306,921 3/1990 Pettinelli D29/120
- D. 353,228 12/1994 Henson D29/120
- D. 365,667 12/1995 Hargrove et al. D29/120

[76] Inventor: **Angelo P. Amico**, 221 SE. 29th Ter., Cape Coral, Fla. 33904

[**] Term: **14 Years**

Primary Examiner—Ruth McInroy
Attorney, Agent, or Firm—Frank A. Lukasik

[21] Appl. No.: **38,631**

[57] **CLAIM**

[22] Filed: **May 8, 1995**

The ornamental design for combined leg and ankle guard, as shown and described.

Related U.S. Application Data

DESCRIPTION

[63] Continuation-in-part of Ser. No. 3,949, Jan. 22, 1993.

[51] LOC (6) Cl. **29-02**

[52] U.S. Cl. **D29/120**

[58] Field of Search D29/100, 120, D29/121, 122; 2/2, 16, 20, 22-24; D24/189-190

FIG. 1 is a top and rear perspective view of a combined leg and ankle guard showing my new design; FIG. 2 is a front elevational view thereof; FIG. 3 is a side elevational view thereof; and, FIG. 4 is a rear elevational view thereof.

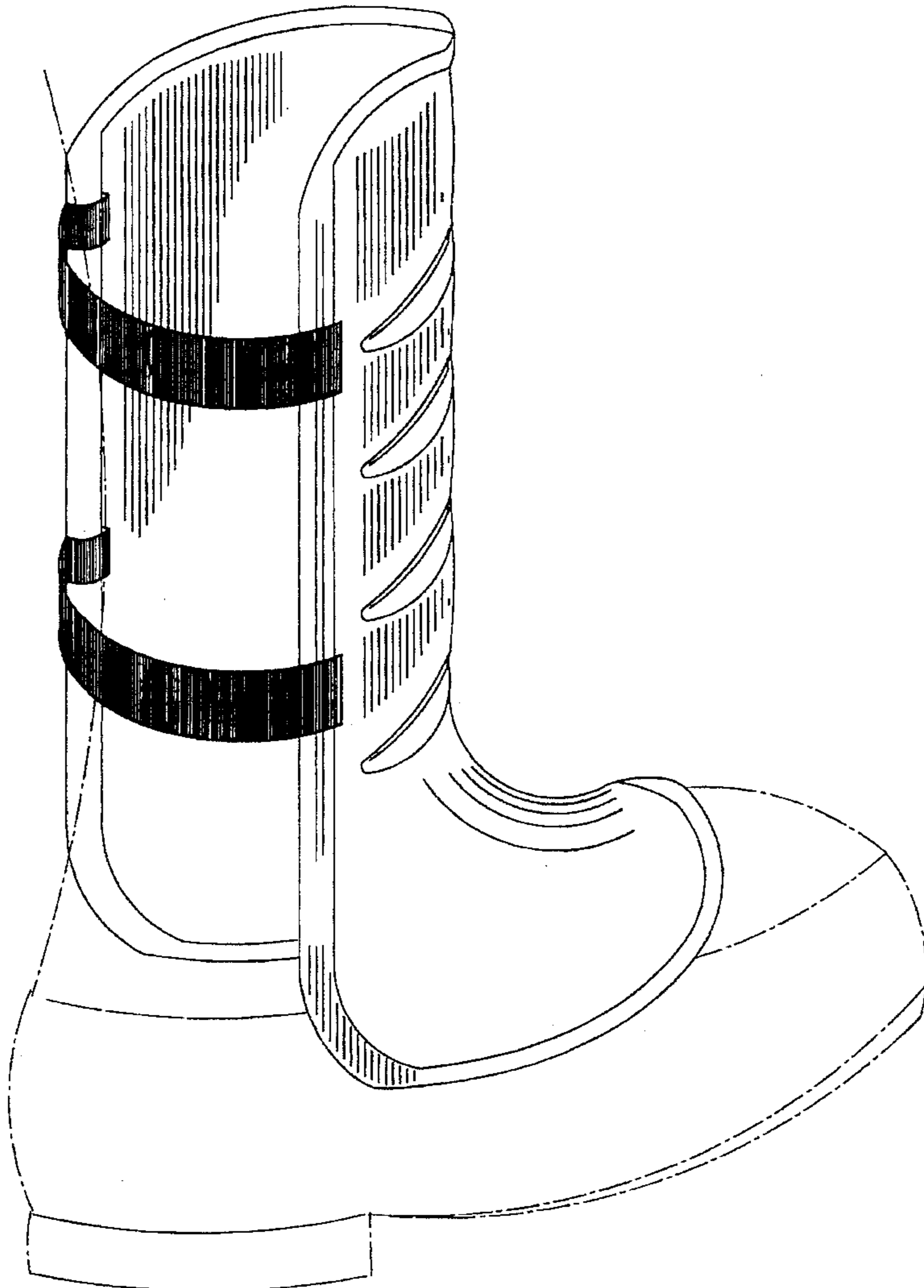
[56] **References Cited**

The shoe and leg shown in broken lines in FIG. 1 are for illustrative purposes only and form no part of the claimed design.

U.S. PATENT DOCUMENTS

- D. 251,696 5/1979 Gwon D29/120
- D. 278,470 4/1985 Egham D29/120

1 Claim, 4 Drawing Sheets



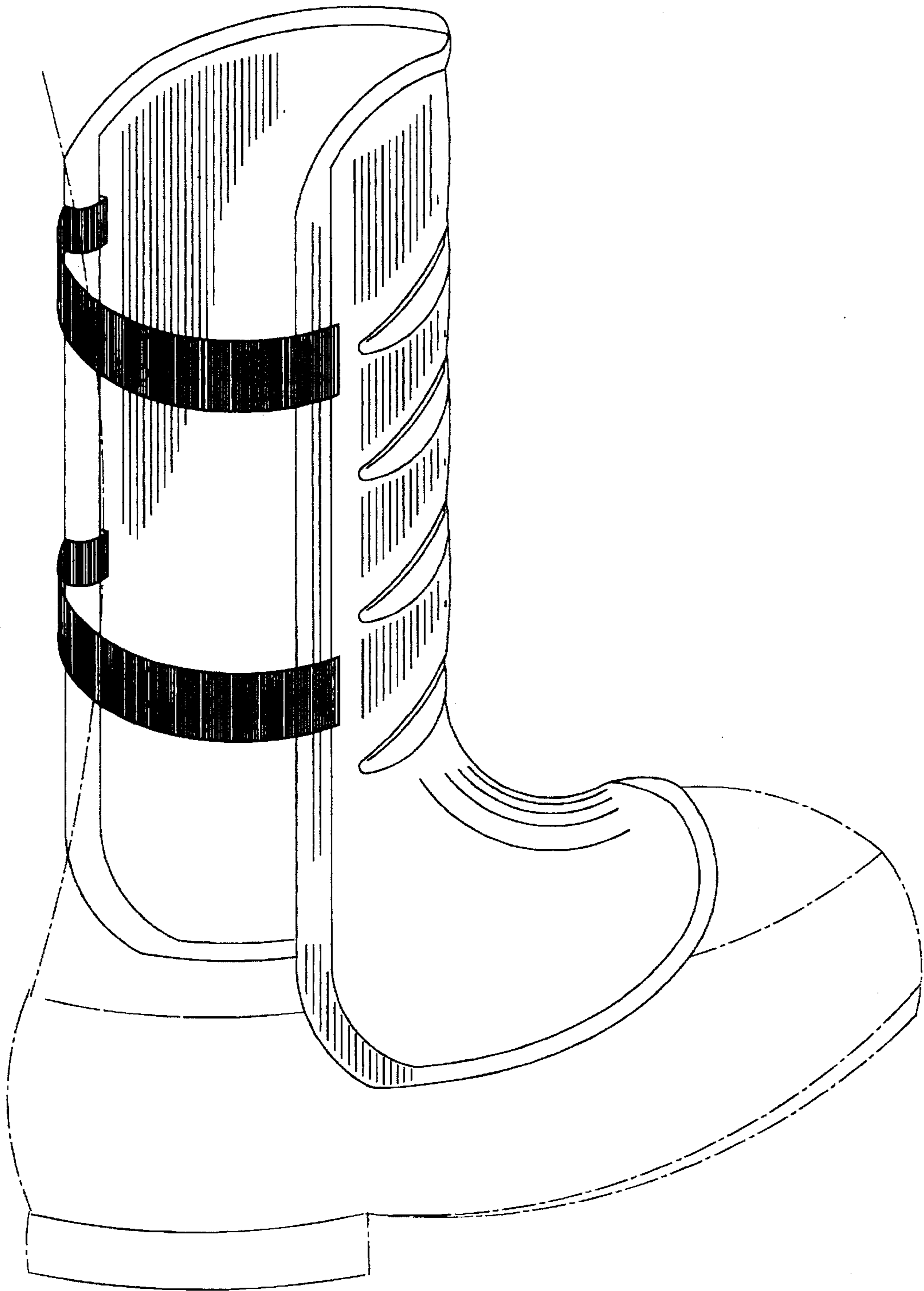


FIG.1

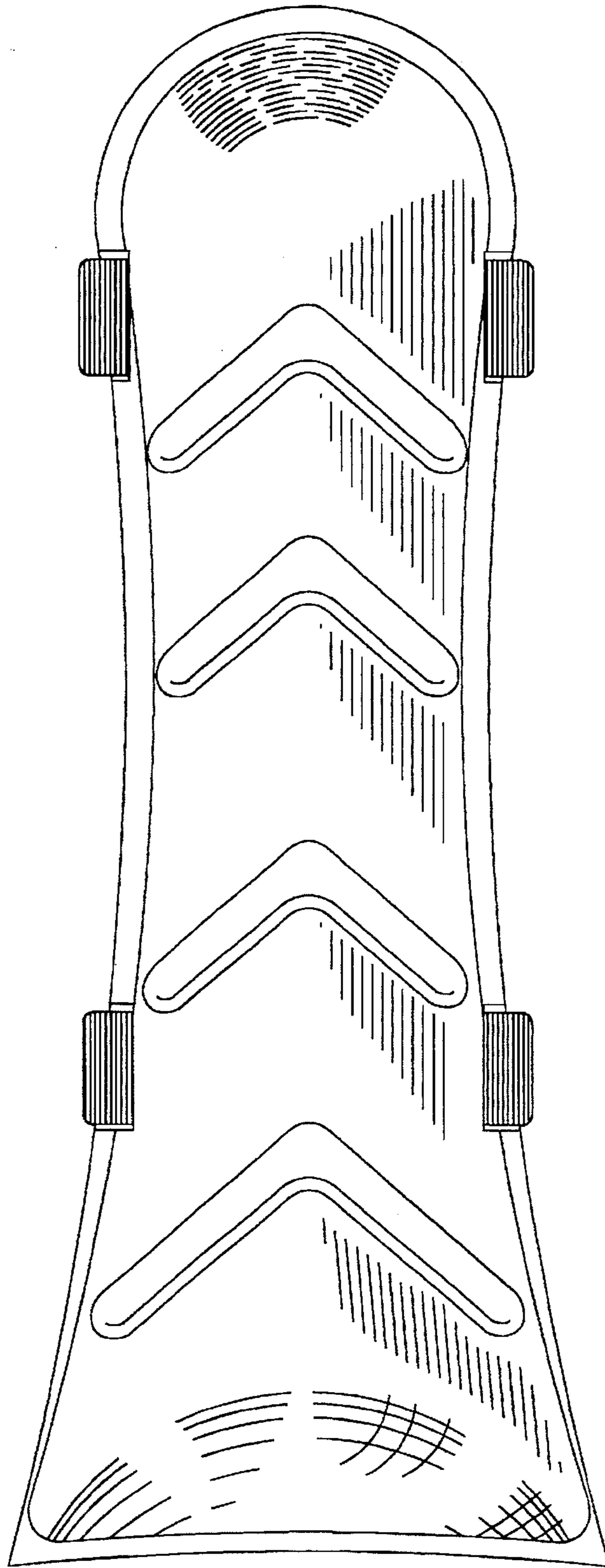


FIG.2

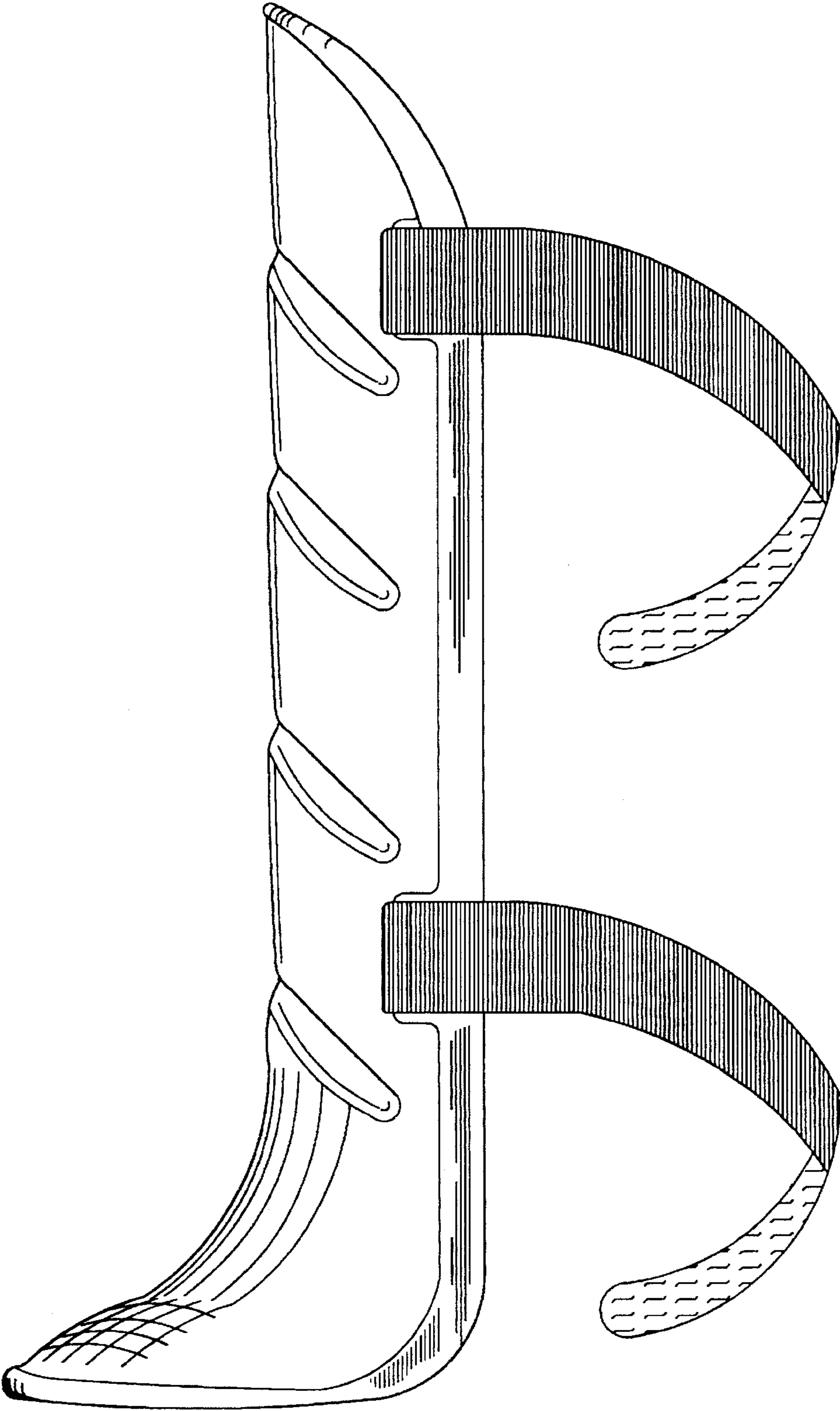


FIG.3

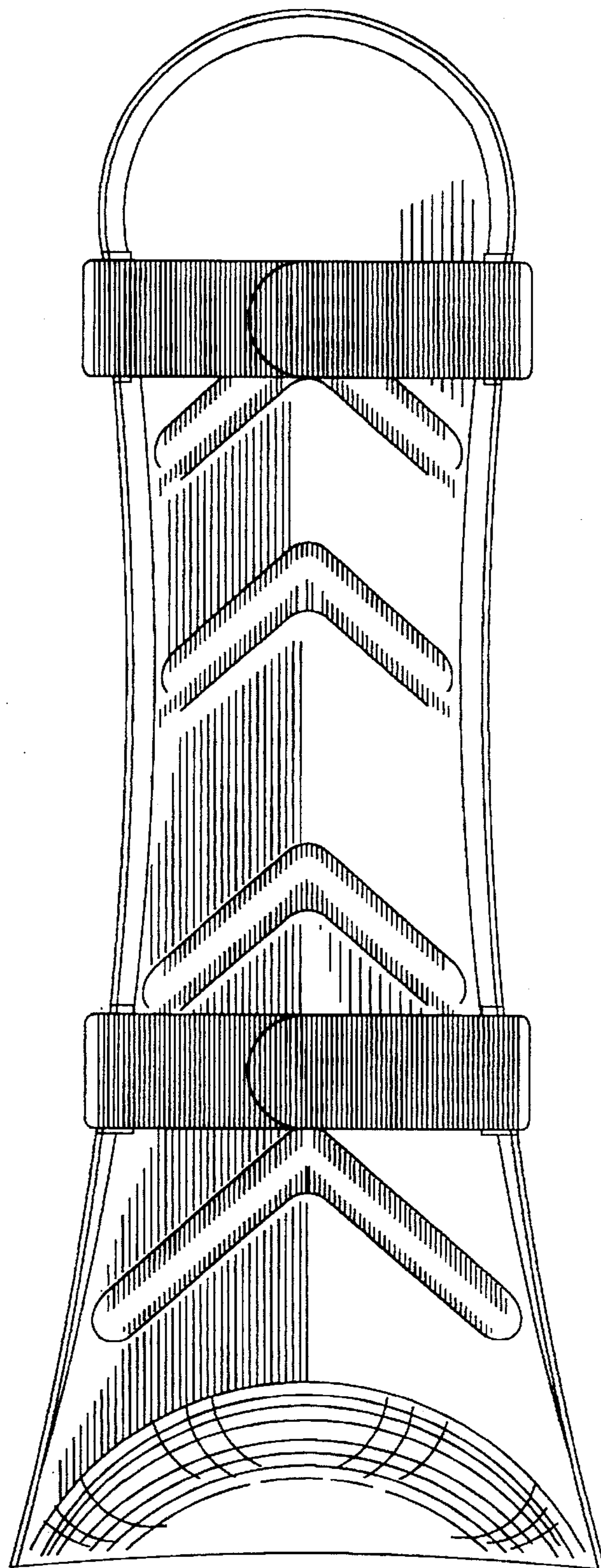


FIG. 4