



US00D383248S

United States Patent [19]

[11] Patent Number: **Des. 383,248**

Vetter

[45] Date of Patent: ****Sep. 2, 1997**

[54] NAIL CLIPPER RETAINER

FOREIGN PATENT DOCUMENTS

[76] Inventor: **Shawn W. Vetter**, 1000 No. 17th, No. 209, Bozeman, Mont. 59715

2700251 7/1994 France 30/28

[**] Term: **14 Years**

Primary Examiner—Catherine Tuttle
Attorney, Agent, or Firm—Zarley, McKee, Thomte, Voorhees & Sease; Mark D. Frederiksen

[21] Appl. No.: **56,138**

[57] CLAIM

[22] Filed: **Jun. 24, 1996**

The ornamental design for a nail clipper retainer, as shown and described.

Related U.S. Application Data

DESCRIPTION

[63] Continuation-in-part of Ser. No. 34,994, Feb. 21, 1995.

[51] LOC (6) Cl. **28-03**

[52] U.S. Cl. **D28/60**

[58] Field of Search D28/56, 57, 60,
D28/61; 132/73, 73.5, 75, 75.4, 75.5, 76.2;
30/26-28, 125

FIG. 1 is a perspective view of the nail clipper retainer showing my new design, the broken lines showing a nail clipper being for illustrative purposes only and forming no part of the claimed design;

FIG. 2 is a top plan view thereof;

FIG. 3 is a front elevational view thereof;

FIG. 4 is a rear elevational view thereof;

FIG. 5 is a right side elevational view, the left side being a mirror image thereof;

FIG. 6 is a bottom view thereof; and,

FIG. 7 is a cross sectional view taken along line 7—7 of FIG. 2.

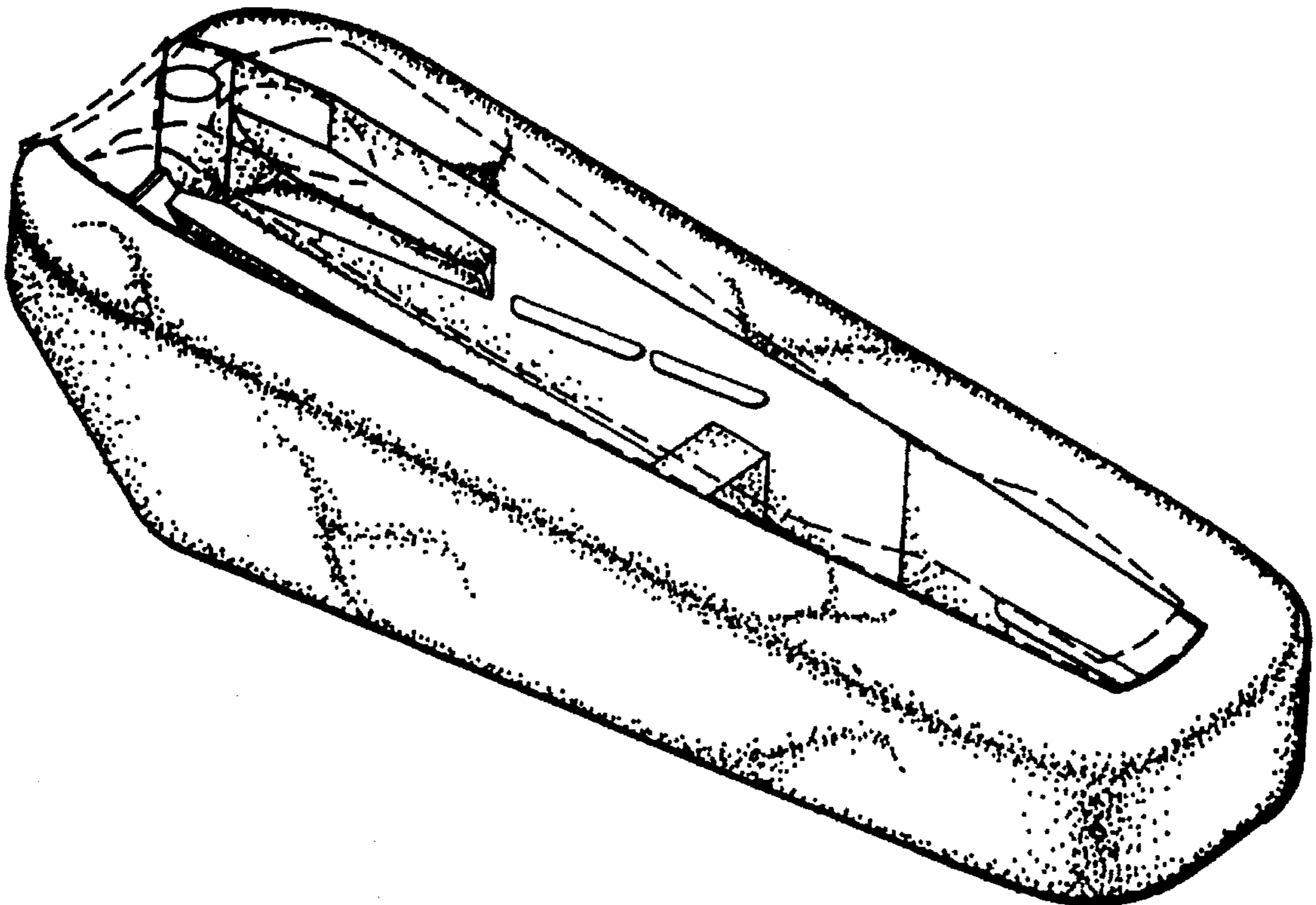
The partially disclosed right interior wall of the retainer is a mirror image of the left wall shown in FIGS. 1 and 7.

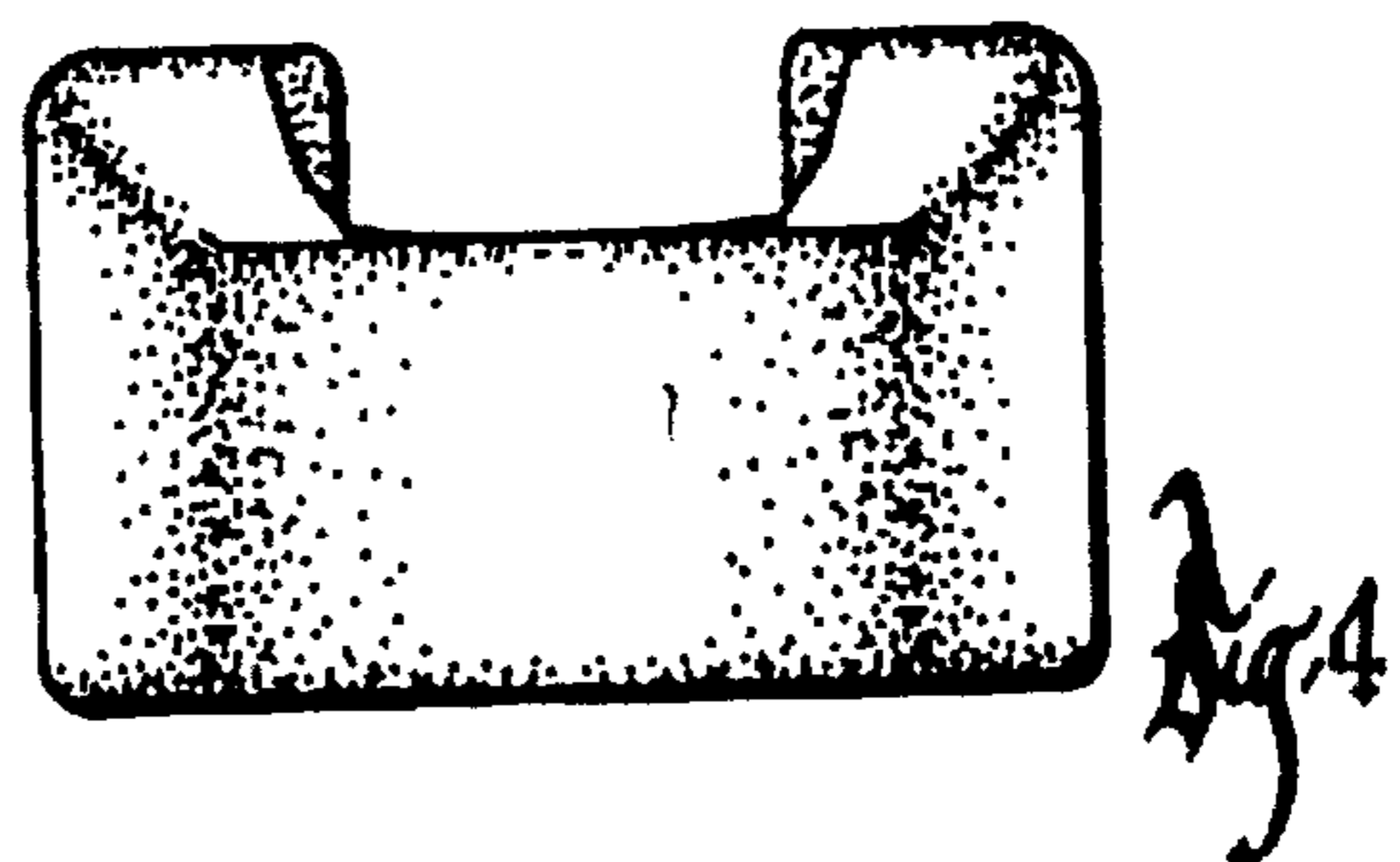
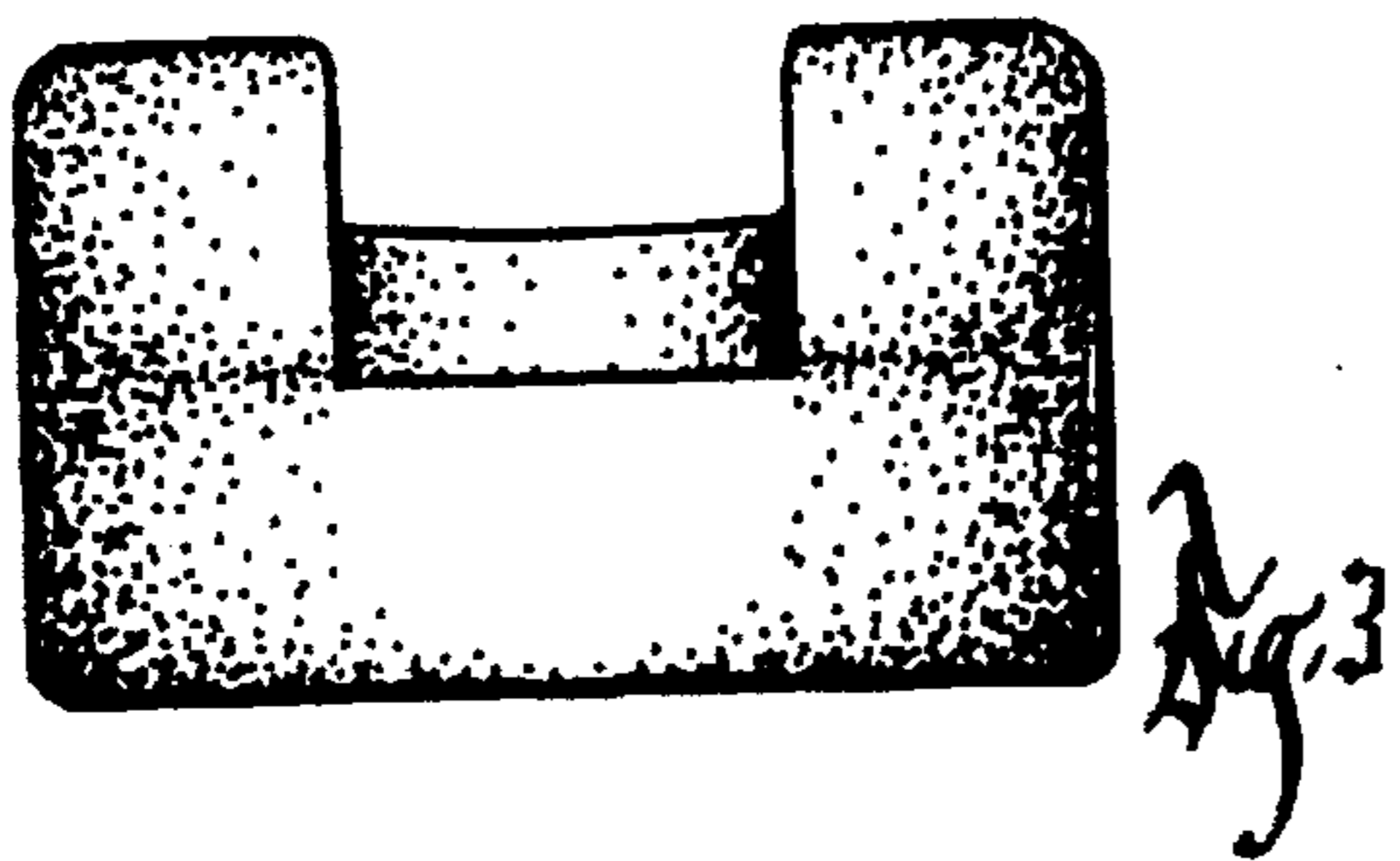
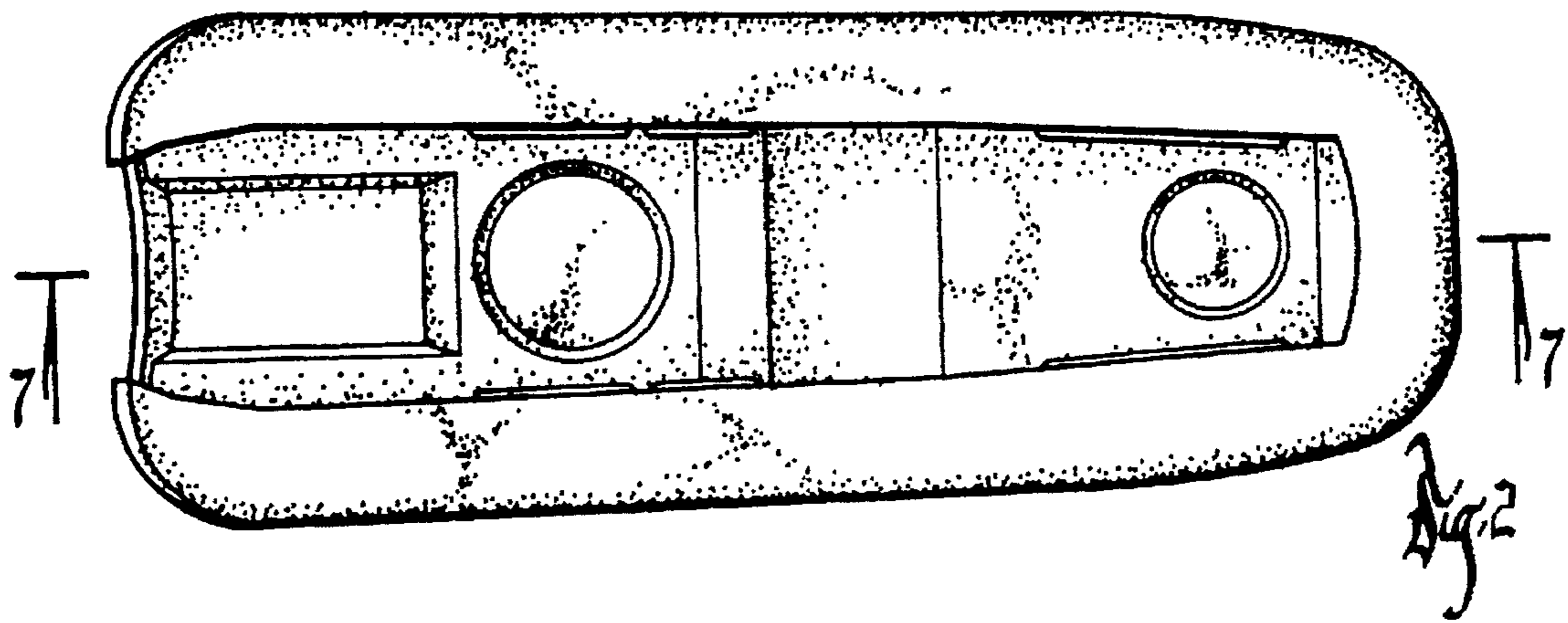
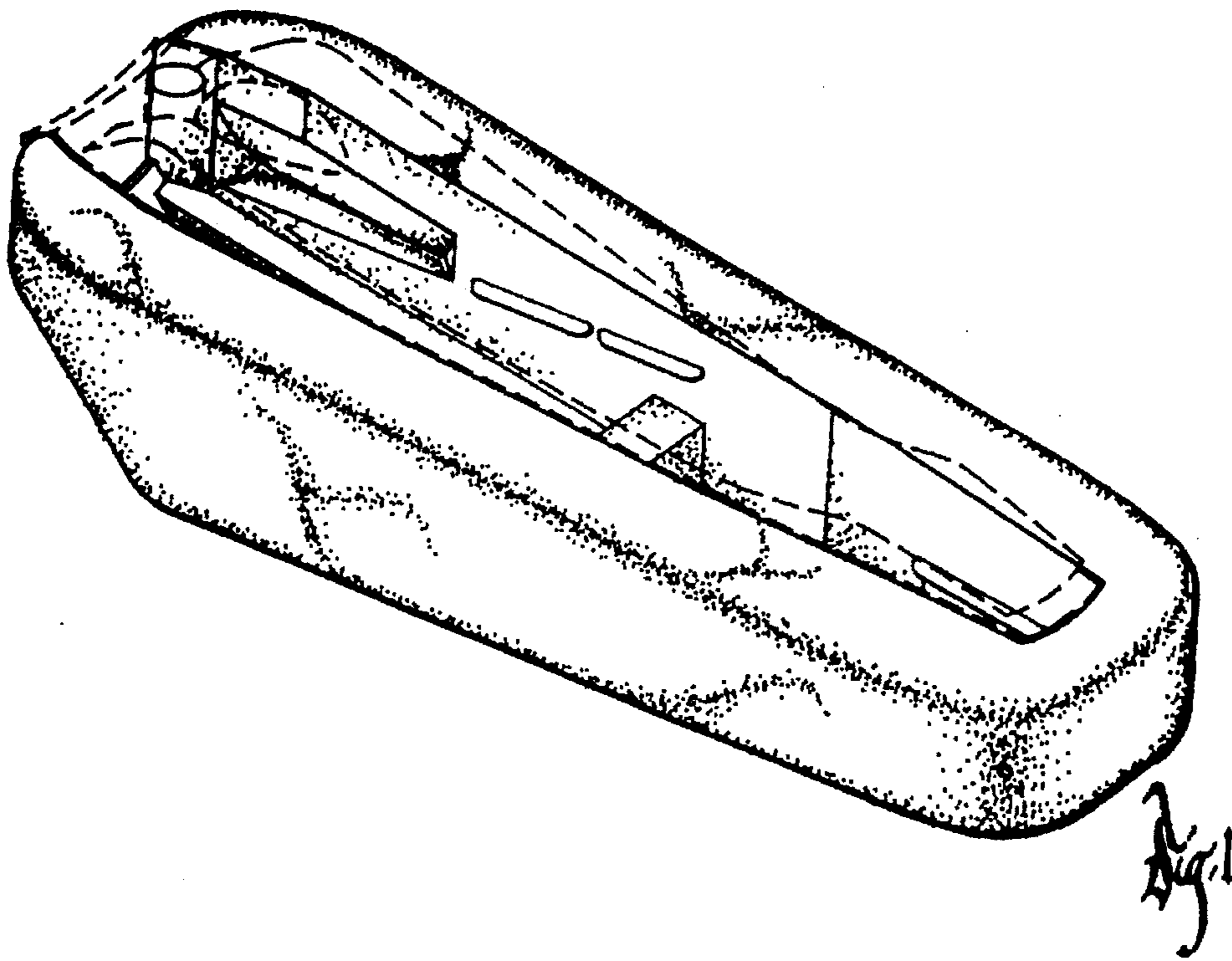
[56] References Cited

U.S. PATENT DOCUMENTS

D. 283,452	4/1986	Boschetti	D28/62
D. 313,874	1/1991	Schulz	D28/60
D. 347,296	5/1994	Adelman	D28/60
2,887,773	5/1959	Killen	30/28
4,574,475	3/1986	Lee	30/125 X
4,602,430	7/1986	Allen, Jr.	30/28
4,640,011	2/1987	Gamble	132/73.5 X
5,031,765	7/1991	Chen	30/28 X

1 Claim, 2 Drawing Sheets





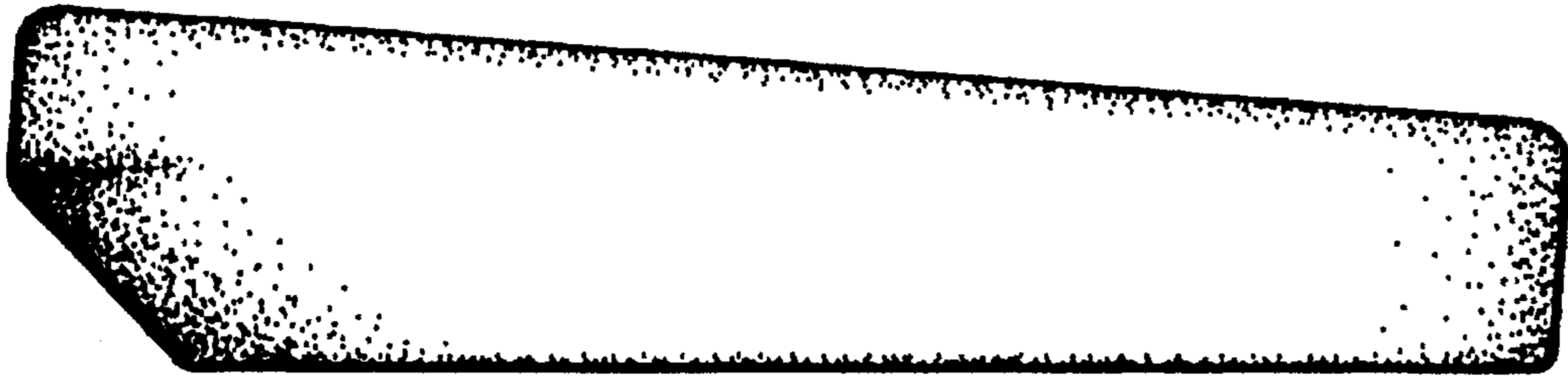


Fig. 5

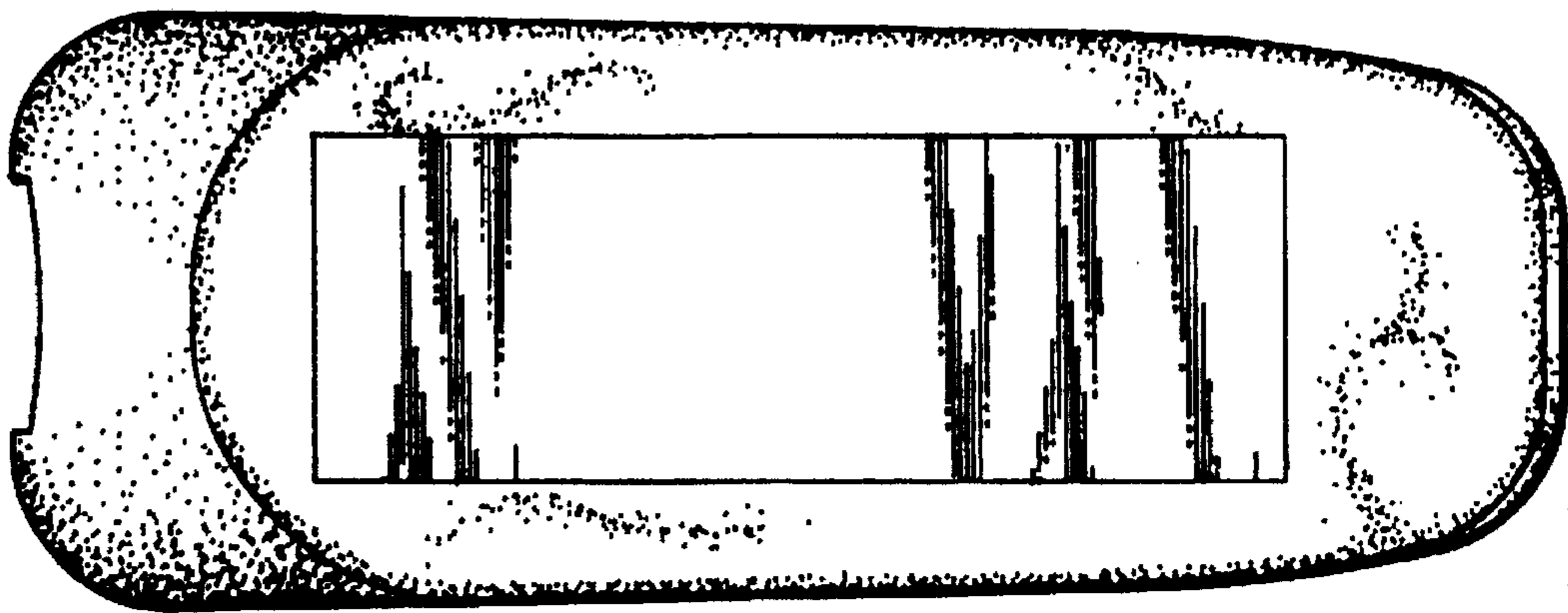


Fig. 6

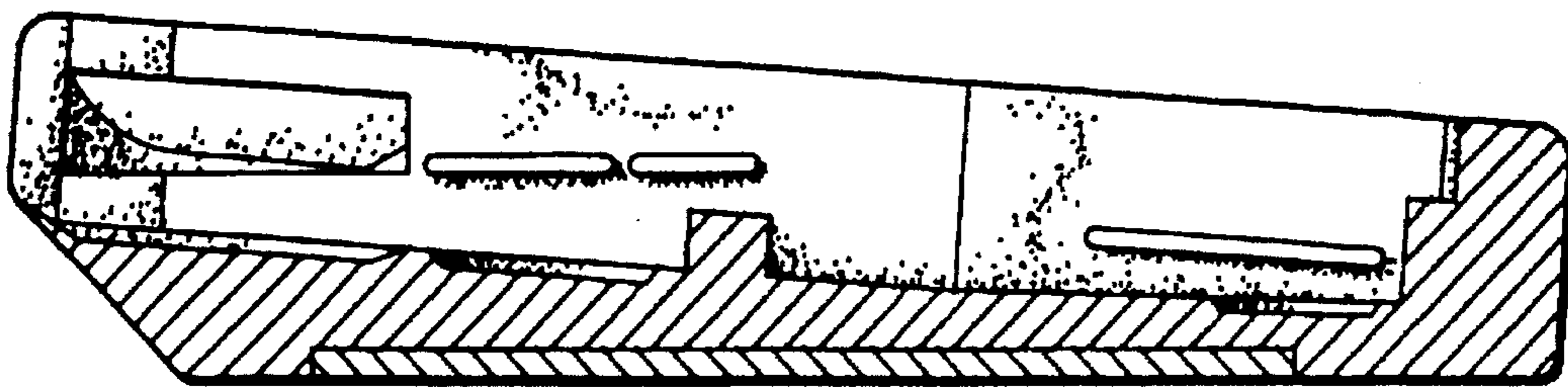


Fig. 7