



US00D383239S

United States Patent [19]
Porter

[11] **Patent Number: Des. 383,239**

[45] **Date of Patent: **Sep. 2, 1997**

[54] **OUTDOOR LIGHTING FIXTURE**

[75] **Inventor: David H. Porter, Chagrin Falls, Ohio**

[73] **Assignee: The L. D. Kichler Co., Cleveland, Ohio**

[**] **Term: 14 Years**

[21] **Appl. No.: 57,829**

[22] **Filed: Aug. 1, 1996**

Related U.S. Application Data

[62] **Division of Ser. No. 40,495, Jun. 20, 1995.**

[51] **LOC (6) Cl. 26-05**

[52] **U.S. Cl. D26/87**

[58] **Field of Search D26/67, 68, 69,
D26/70, 71, 72, 80-92; 362/153, 153.1,
147, 431, 432**

[56] **References Cited**

U.S. PATENT DOCUMENTS

- D. 300,373 3/1989 Galipeau et al. D26/67
- D. 347,905 6/1994 Barbour D26/67
- 2,786,936 3/1957 Appleton D26/67 X

OTHER PUBLICATIONS

Yamagiwa Catalog No. 3, pp. 140-141 and 254-255, dated 1993-1994.

Illuminotecnica Catalog, pp. 11 and 31, dated Sep. 1992.
Progress Lighting Ideas Book, © 1990, p. 128, Wall Lantern # P5991-25.

Primary Examiner—Susan J. Lucas

Attorney, Agent, or Firm—Watts, Hoffmann, Fisher & Heinke Co LPA

[57] **CLAIM**

The ornamental design for an outdoor lighting fixture, as shown and described.

DESCRIPTION

FIG. 1 is a perspective view of an outdoor lighting fixture showing my new design;

FIG. 2 is a front elevational view of the lighting fixture; FIG. 3 is a right elevational view of the lighting fixture, the left elevational view being identical;

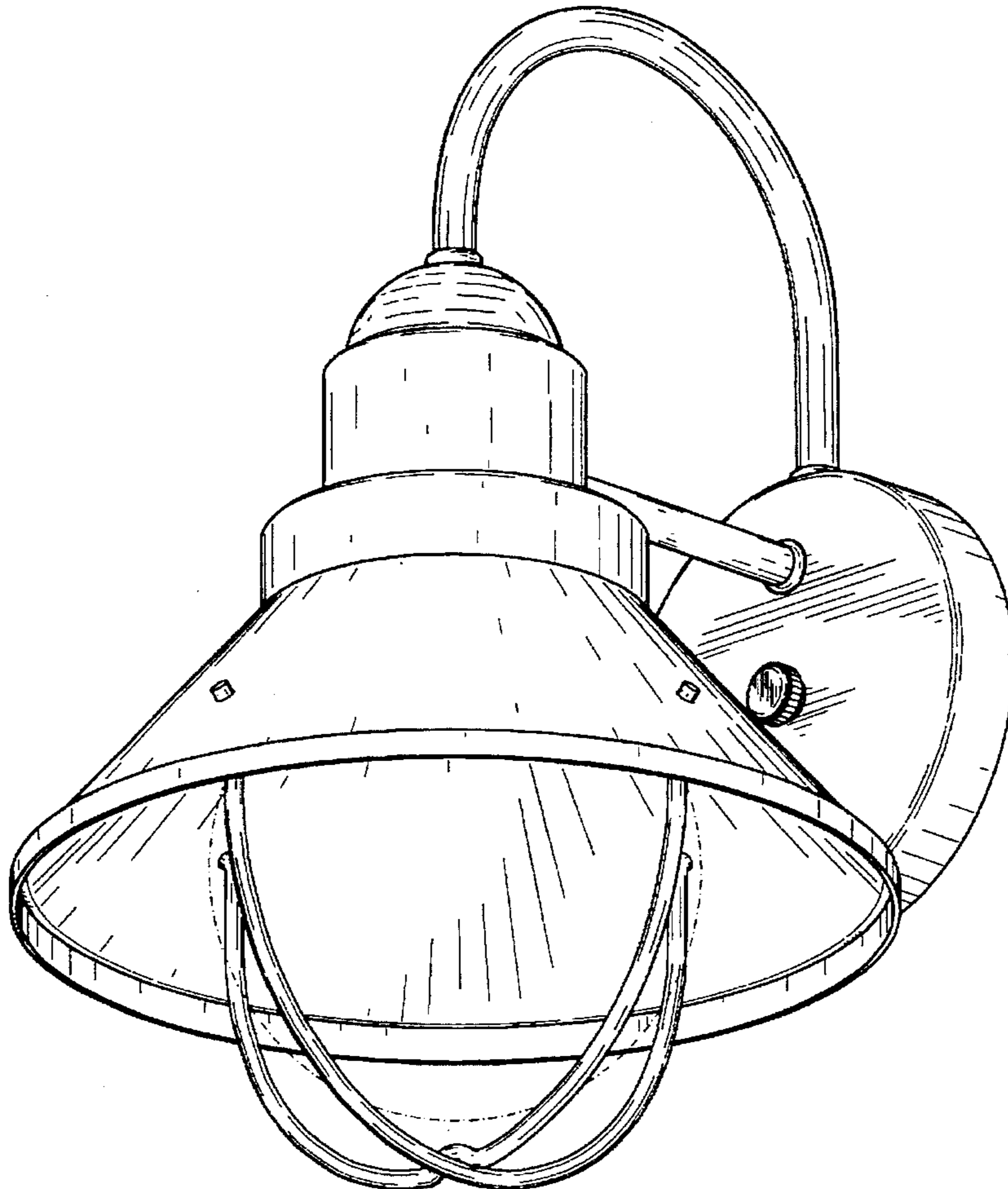
FIG. 4 is a rear elevational view of the lighting fixture;

FIG. 5 is a top plan view of the lighting fixture; and,

FIG. 6 is a bottom plan view of the lighting fixture.

The broken lines showing the lighting fixture shades are for illustrative purposes.

1 Claim, 3 Drawing Sheets



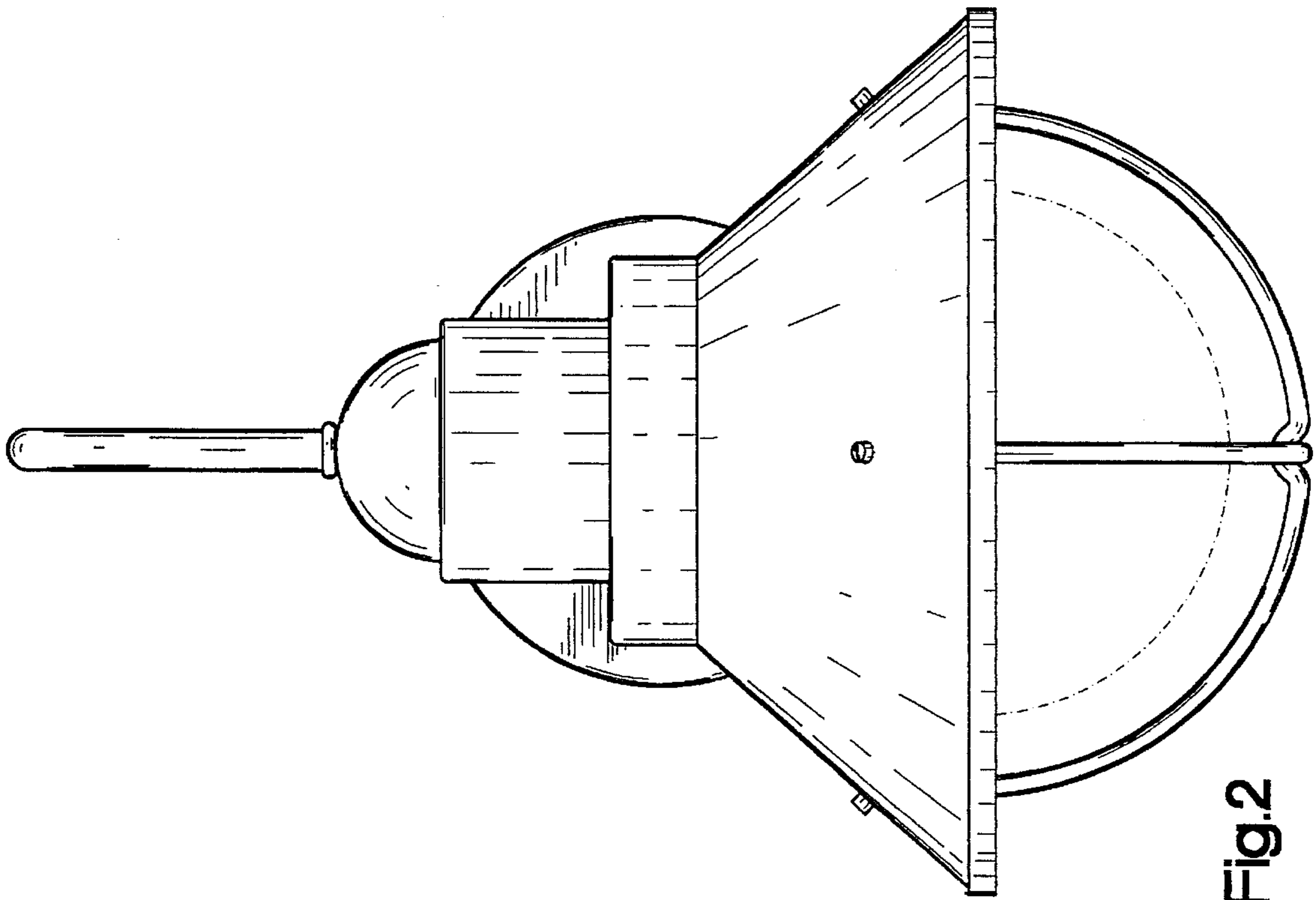


Fig.2

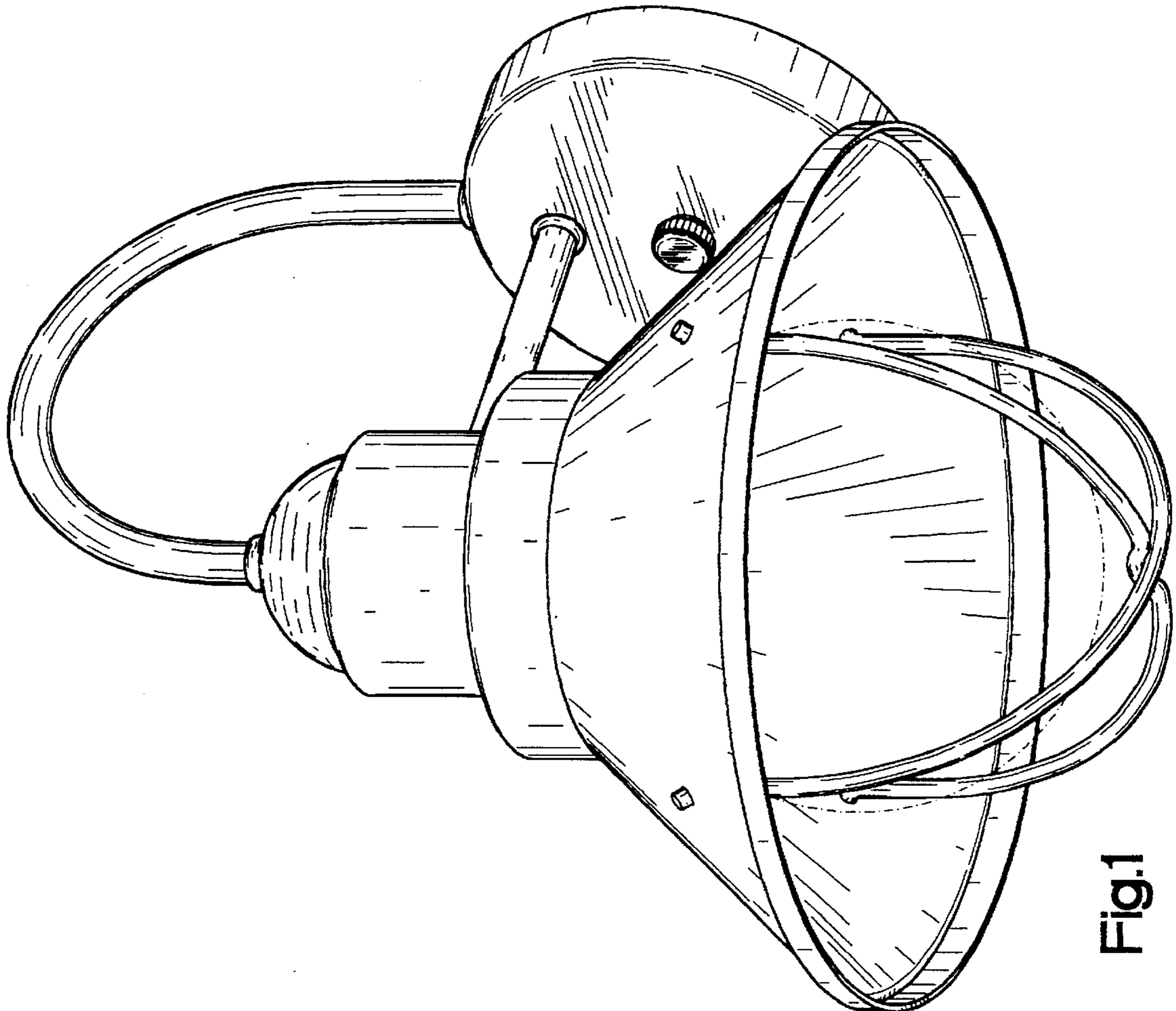


Fig.1

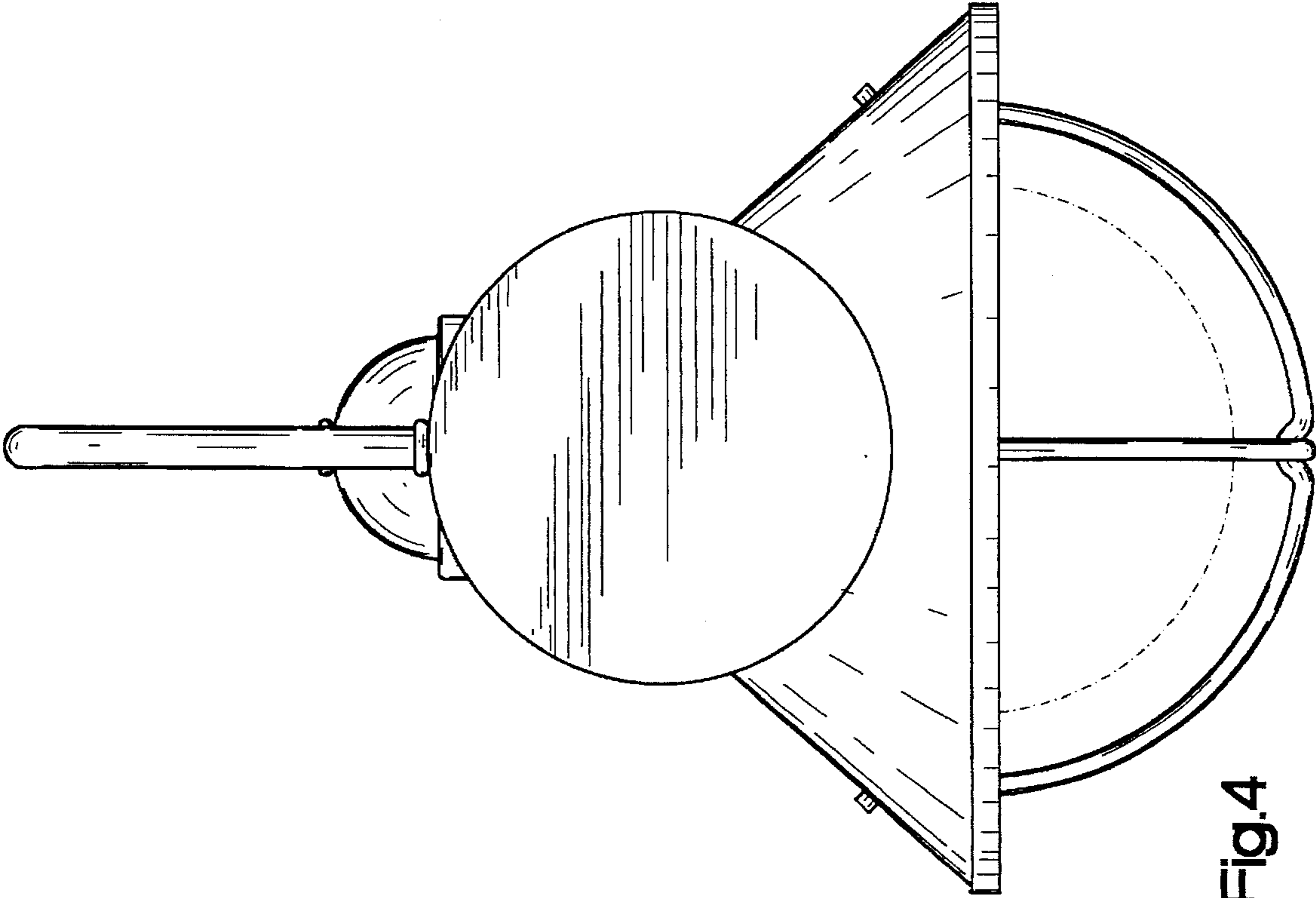


Fig.4

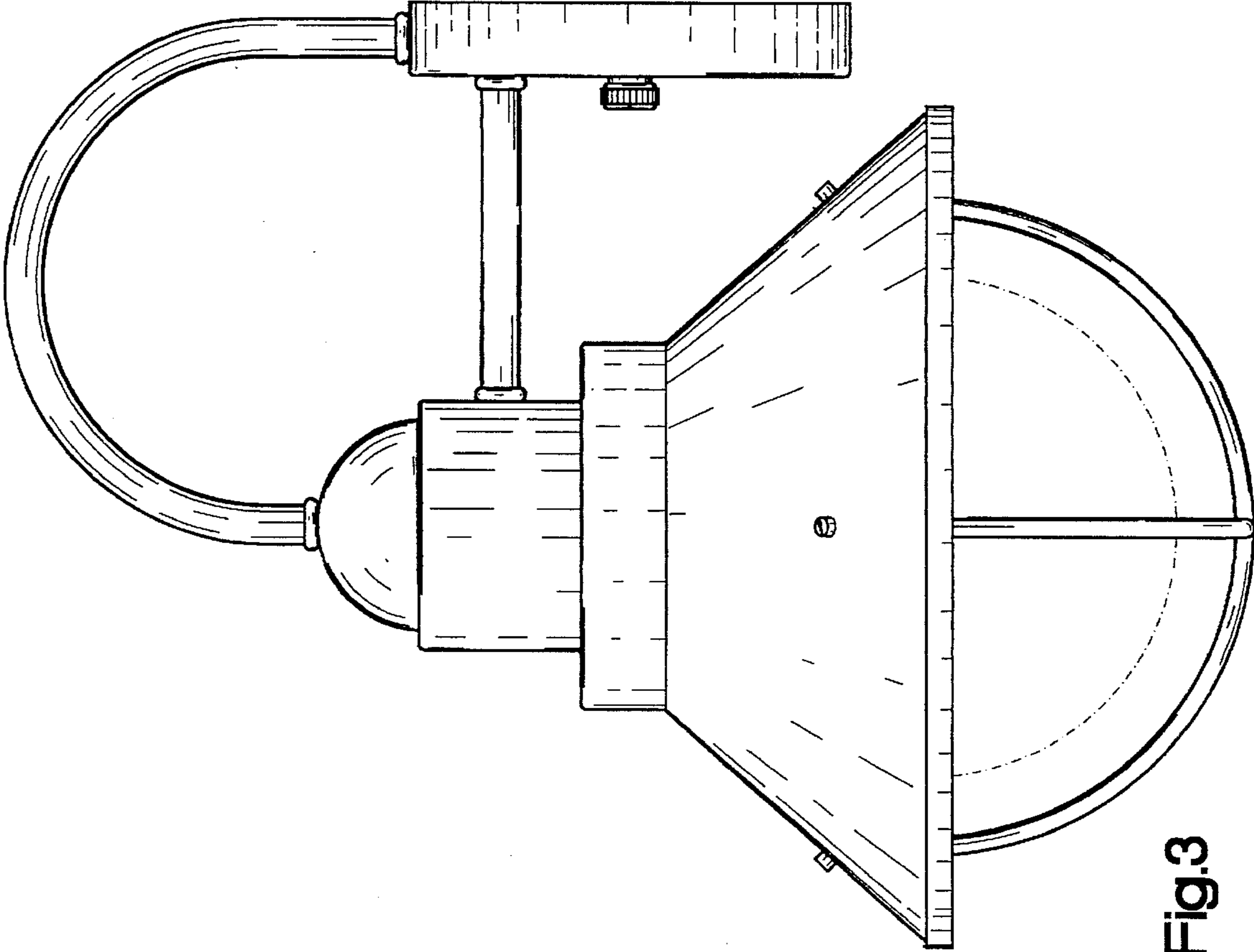


Fig.3

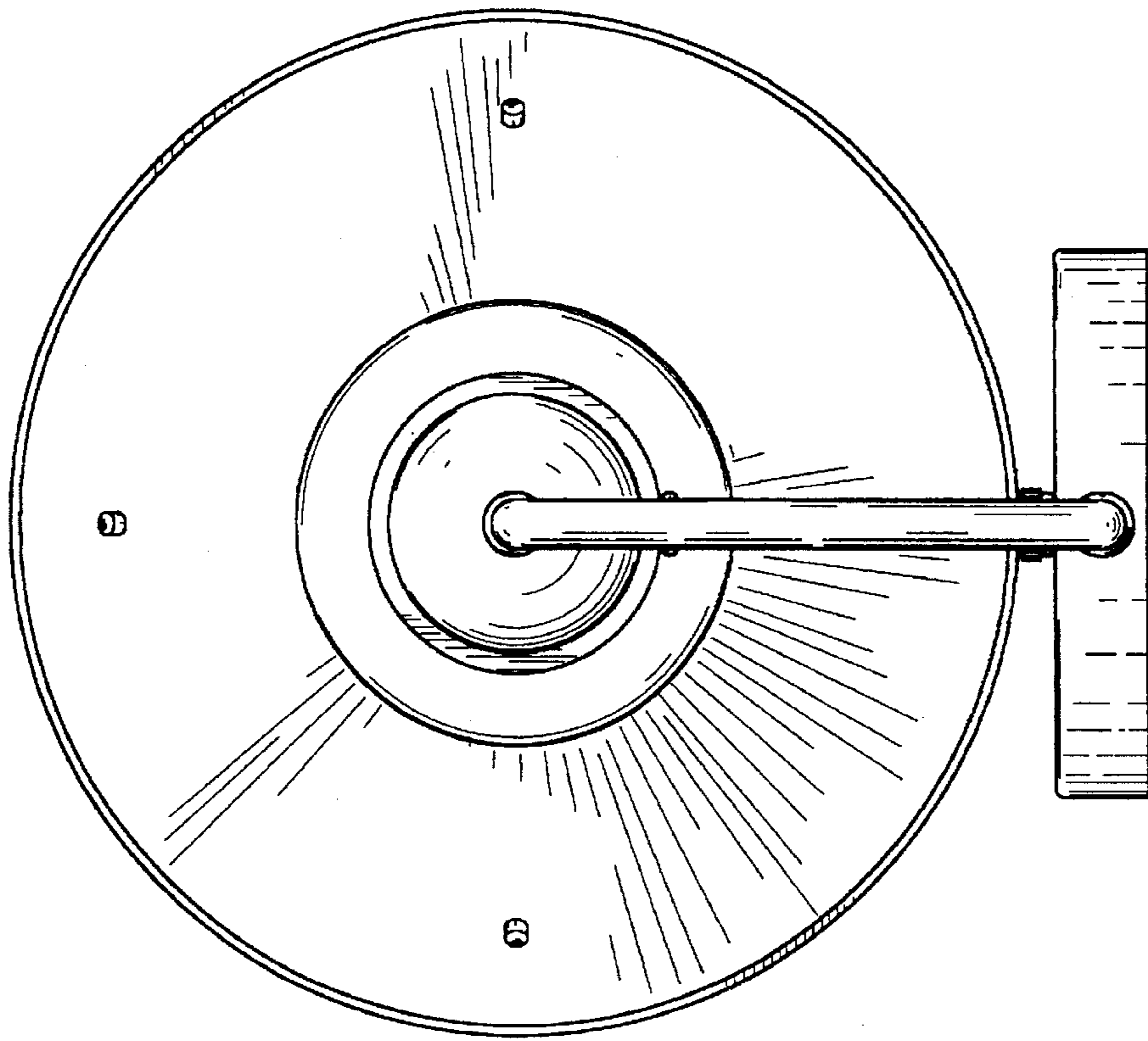


Fig.5

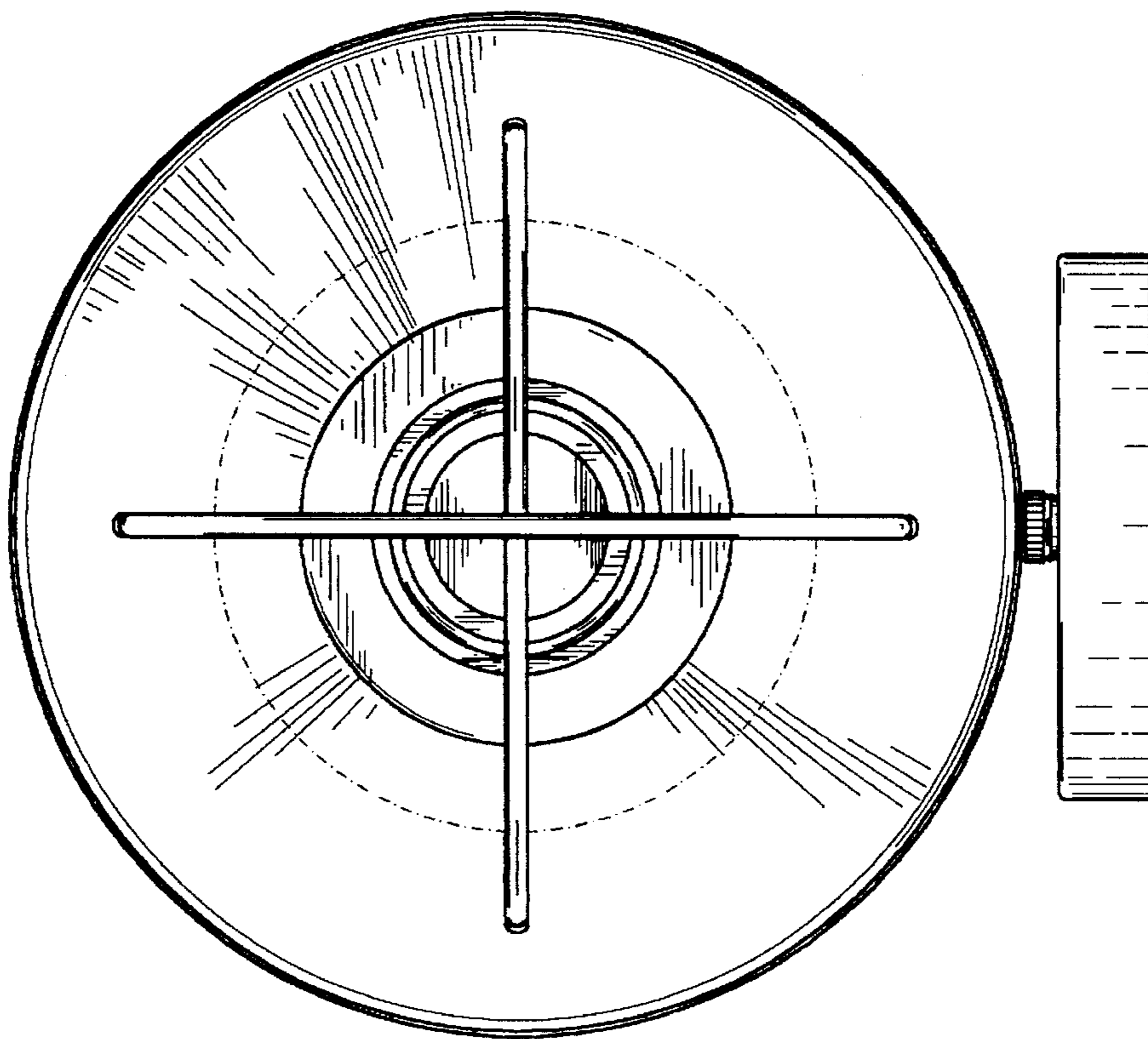


Fig.6