



US00D383237S

United States Patent [19]
Porter

[11] **Patent Number: Des. 383,237**

[45] **Date of Patent: **Sep. 2, 1997**

[54] **OUTDOOR LIGHTING FIXTURE**

- [75] Inventor: **David H. Porter**, Chagrin Falls, Ohio
- [73] Assignee: **The L.D. Kichler Co.**, Cleveland, Ohio
- [**] Term: **14 Years**
- [21] Appl. No.: **57,830**
- [22] Filed: **Aug. 1, 1996**

Related U.S. Application Data

- [62] Division of Ser. No. 40,495, Jun. 20, 1995.
- [51] **LOC (6) Cl.** **26-05**
- [52] **U.S. Cl.** **D26/68**
- [58] **Field of Search** D26/67, 68, 69,
D26/70, 71, 72, 80-92; 362/153, 153.1,
147, 431, 432

[56] **References Cited**

U.S. PATENT DOCUMENTS

- D. 300,373 3/1989 Galipeau et al. D26/67
- D. 347,905 6/1994 Barbour D26/67
- 2,786,936 3/1957 Appleton D26/67 X

OTHER PUBLICATIONS

Yamagiwa Catalog No. 3, pp. 140-141 and 254-255, dated 1993-1994.
 Illuminotecnica Catalog, p. 11 adn 31, dated Sep. 1992.
 Design with Lighting Catalog, p. 35, Spread Light.
Primary Examiner—Susan J. Lucas
Attorney, Agent, or Firm—Watts, Hoffmann, Fisher & Heinke Co LPA

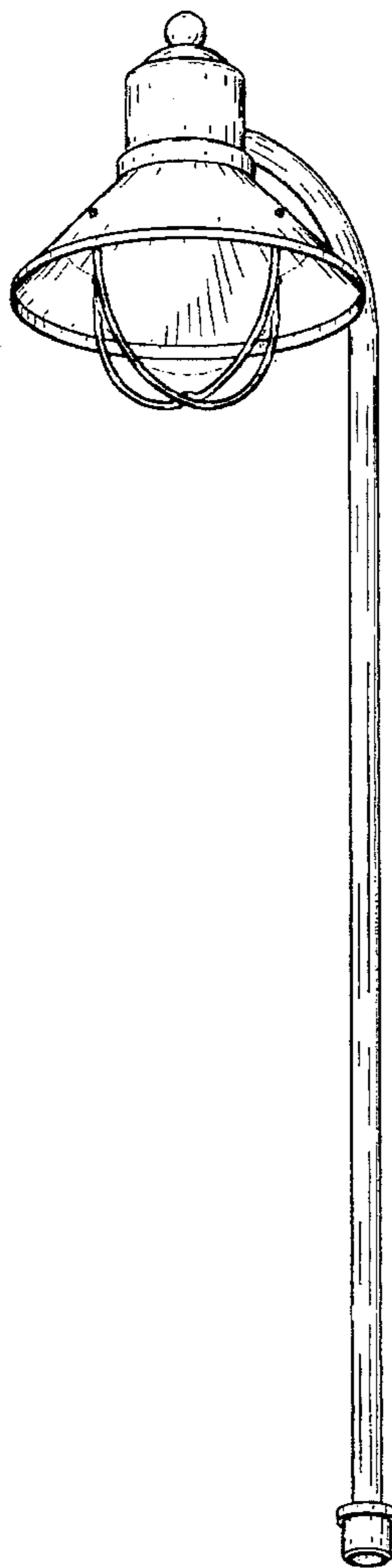
[57] **CLAIM**

The ornamental design for an outdoor lighting fixture, as shown and described.

DESCRIPTION

FIG. 1 is a perspective view of an outdoor lighting fixture showing my new design;
 FIG. 2 is a front elevational view of the lighting fixture;
 FIG. 3 is a right side elevational view of the lighting fixture, the left side being identical;
 FIG. 4 is a rear elevational view of the lighting fixture;
 FIG. 5 is a top plan view of the lighting fixture; and,
 FIG. 6 is a bottom plan view of the lighting fixture.
 The broken lines showing the lighting fixture shades are for illustrative purposes.

1 Claim, 3 Drawing Sheets



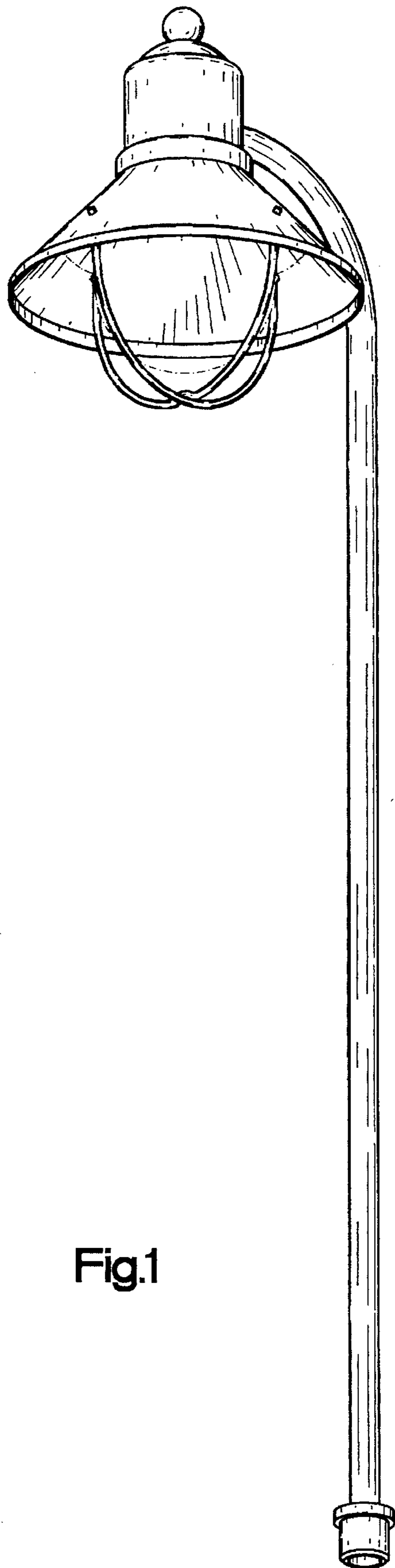


Fig.1

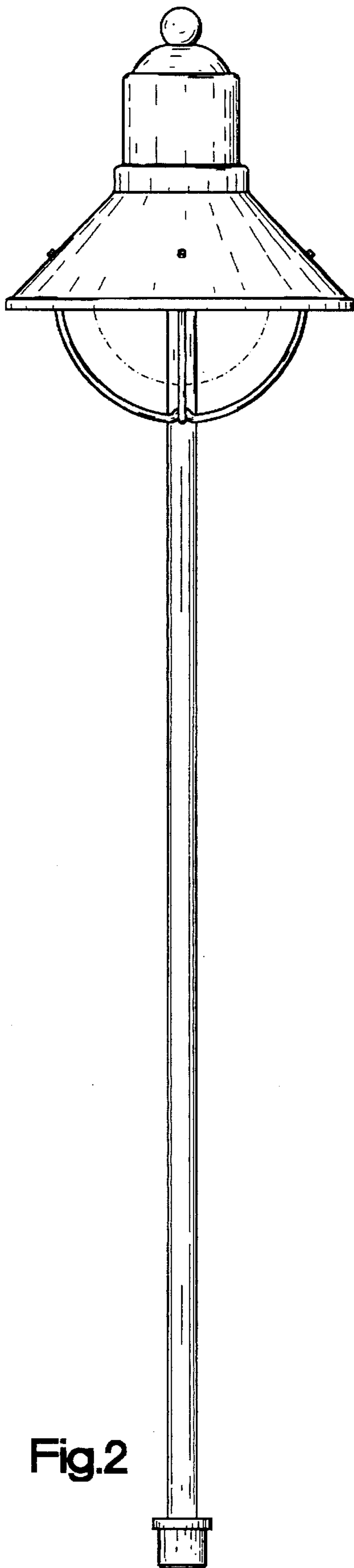


Fig.2

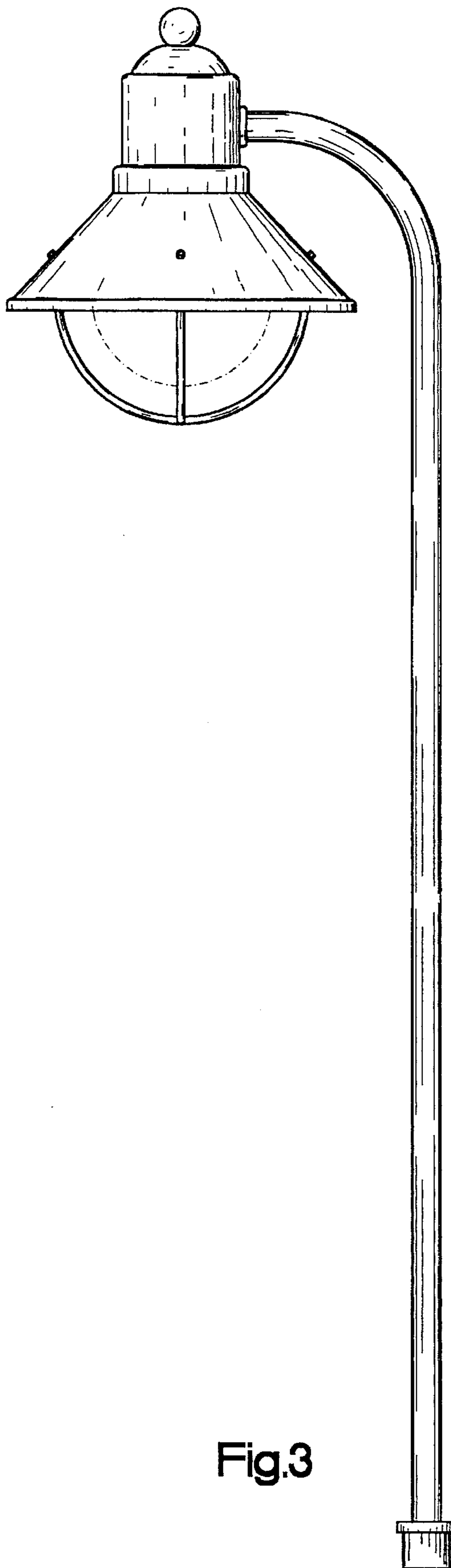


Fig.3

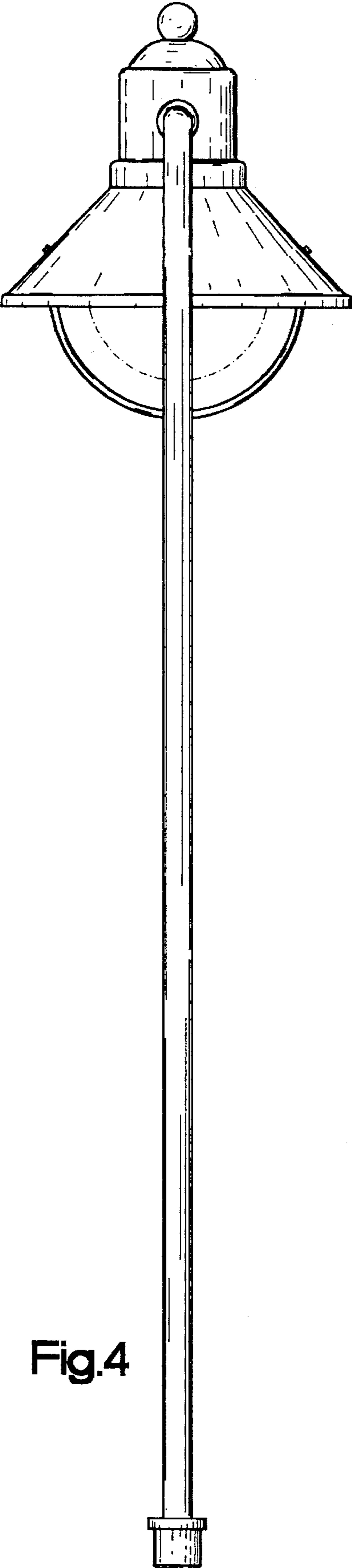


Fig.4

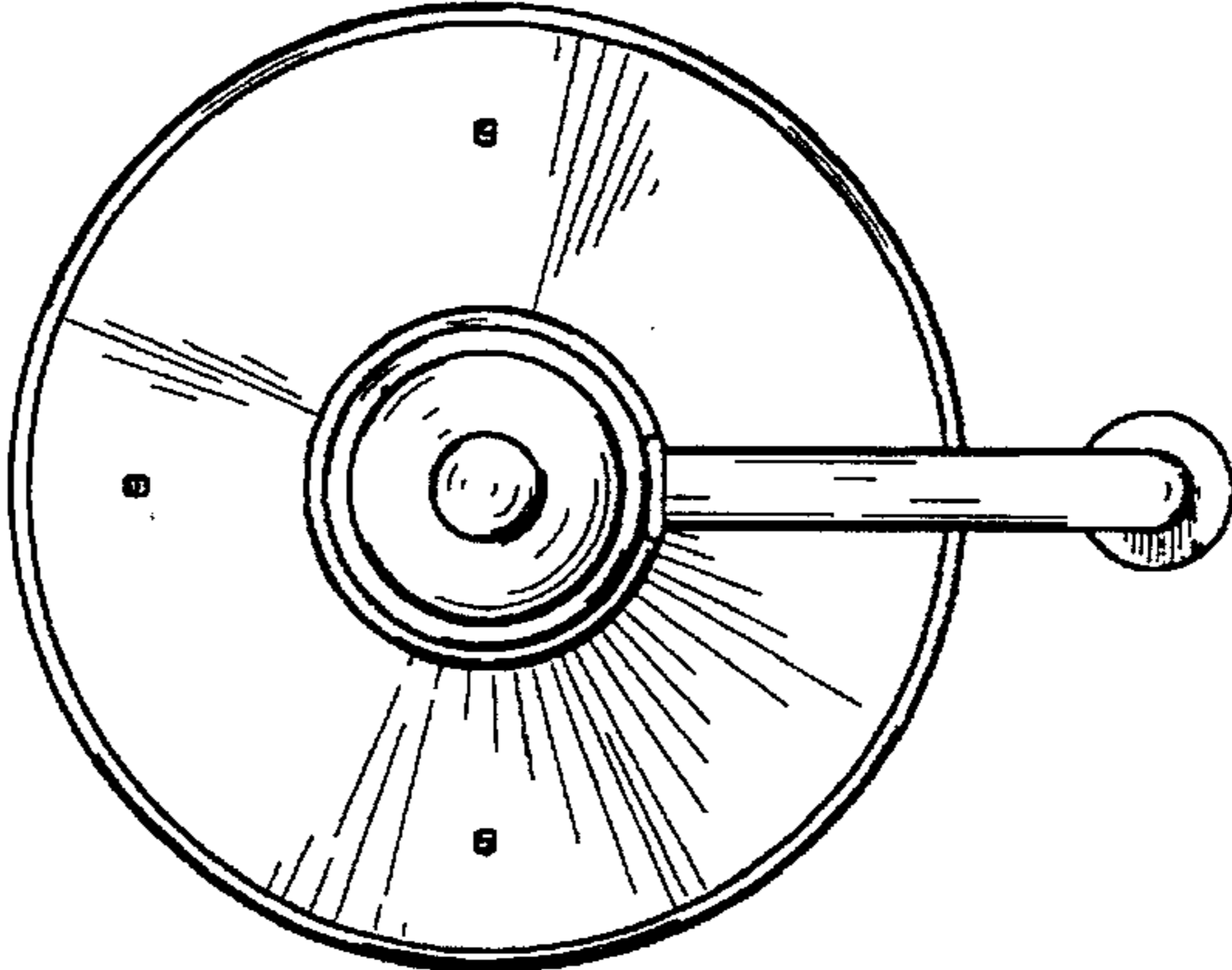


Fig.5

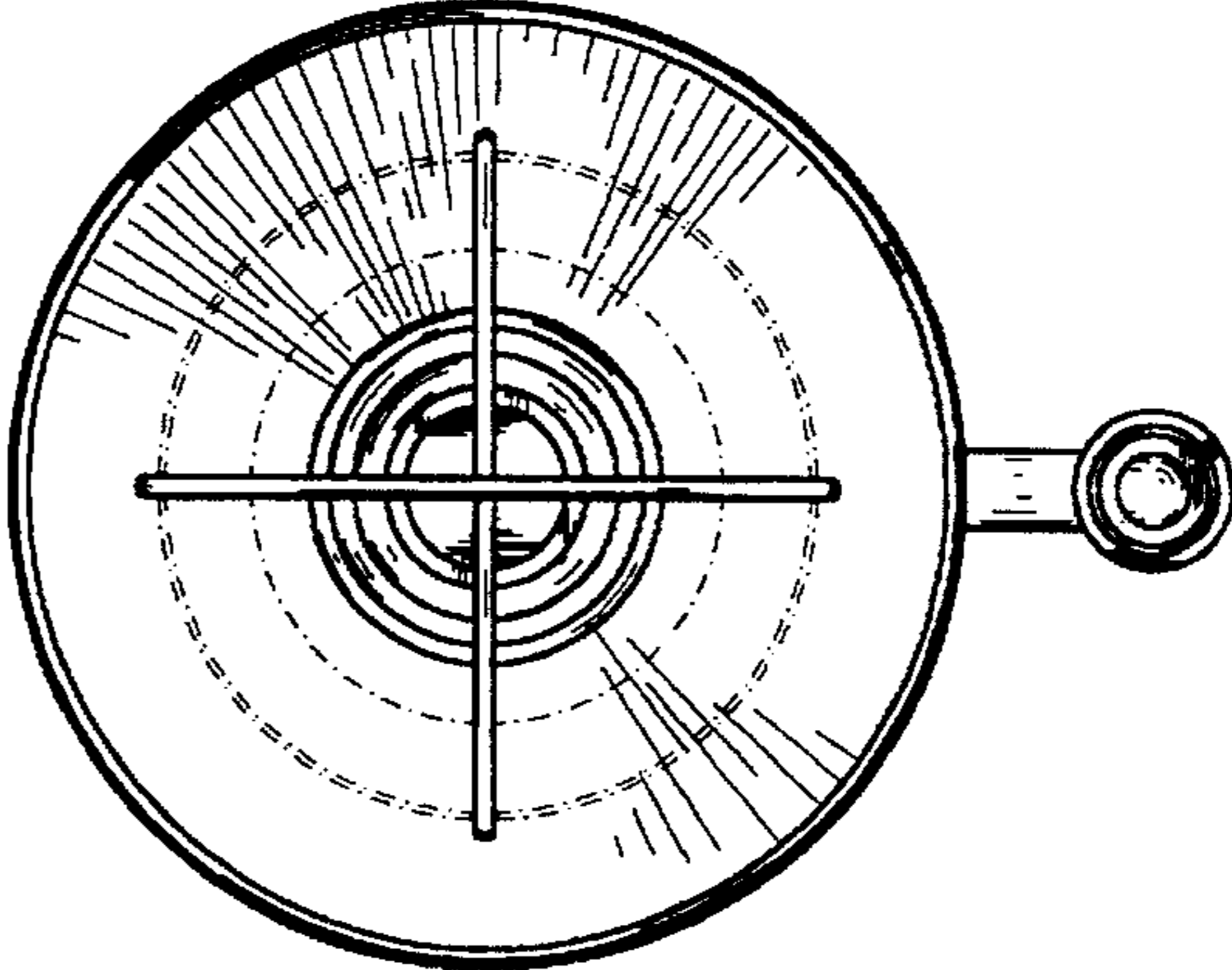


Fig.6