



US00D383233S

# United States Patent [19]

Abry

[11] Patent Number: **Des. 383,233**

[45] Date of Patent: **\*\*Sep. 2, 1997**

[54] **PORTABLE TORCH**

[75] Inventor: **Emil Abry**, Hosle, Norway

[73] Assignee: **Norsk Energi Design AS**, Oslo, Norway

[\*\*] Term: **14 Years**

[21] Appl. No.: **41,867**

[22] Filed: **Jul. 25, 1995**

[30] **Foreign Application Priority Data**

Jan. 26, 1995 [NO] Norway ..... 950060

[51] LOC (6) Cl. .... **26-02**

[52] U.S. Cl. .... **D26/46**

[58] **Field of Search** ..... D26/37-50; 362/157, 362/158, 159, 160, 161, 168, 171, 172, 173, 178, 179, 180, 183, 184, 186, 197, 198, 201-208

[56] **References Cited**

**U.S. PATENT DOCUMENTS**

D. 298,572 11/1988 Murrell et al. .... D26/46

- D. 311,066 10/1990 Fenne ..... D26/46
- D. 311,067 10/1990 Chabria ..... D26/46
- D. 355,040 1/1995 Dalton et al. .... D26/46
- D. 365,647 12/1995 Witte ..... D26/46

*Primary Examiner*—Marcus A. Jackson  
*Attorney, Agent, or Firm*—Dykema Gossett PLLC

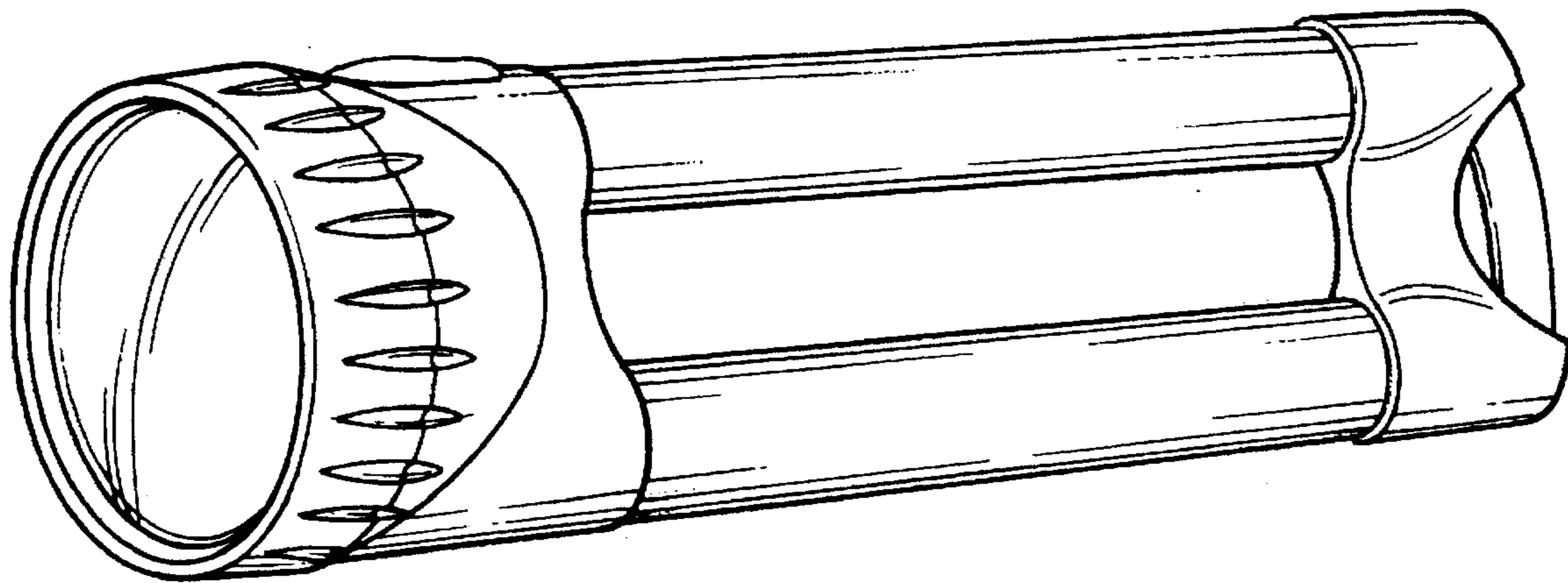
[57] **CLAIM**

The ornamental design for a portable torch, as shown and described.

**DESCRIPTION**

FIG. 1 is a perspective view of my portable torch design; FIG. 2 is a left side elevational view thereof; FIG. 3 is a right side elevational view thereof; FIG. 4 is a back view thereof; FIG. 5 is a front view thereof; FIG. 6 is a top view thereof; and, FIG. 7 is bottom view thereof.

**1 Claim, 2 Drawing Sheets**



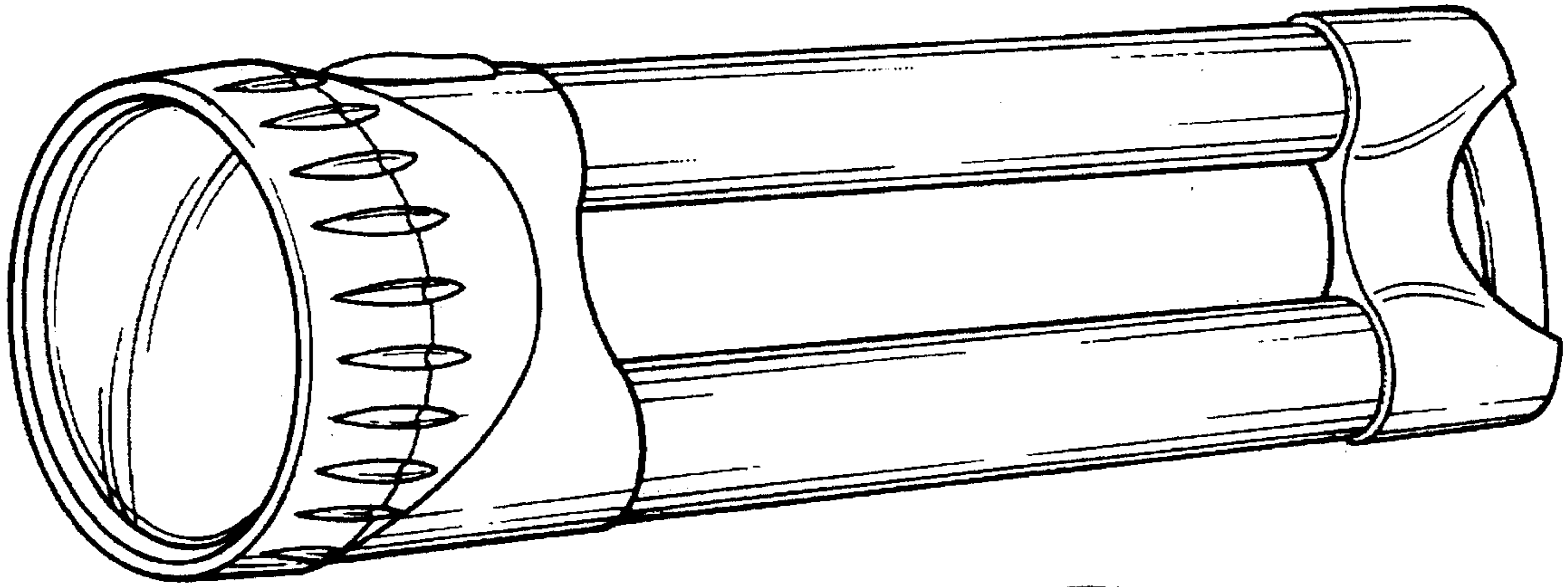


Fig - 1

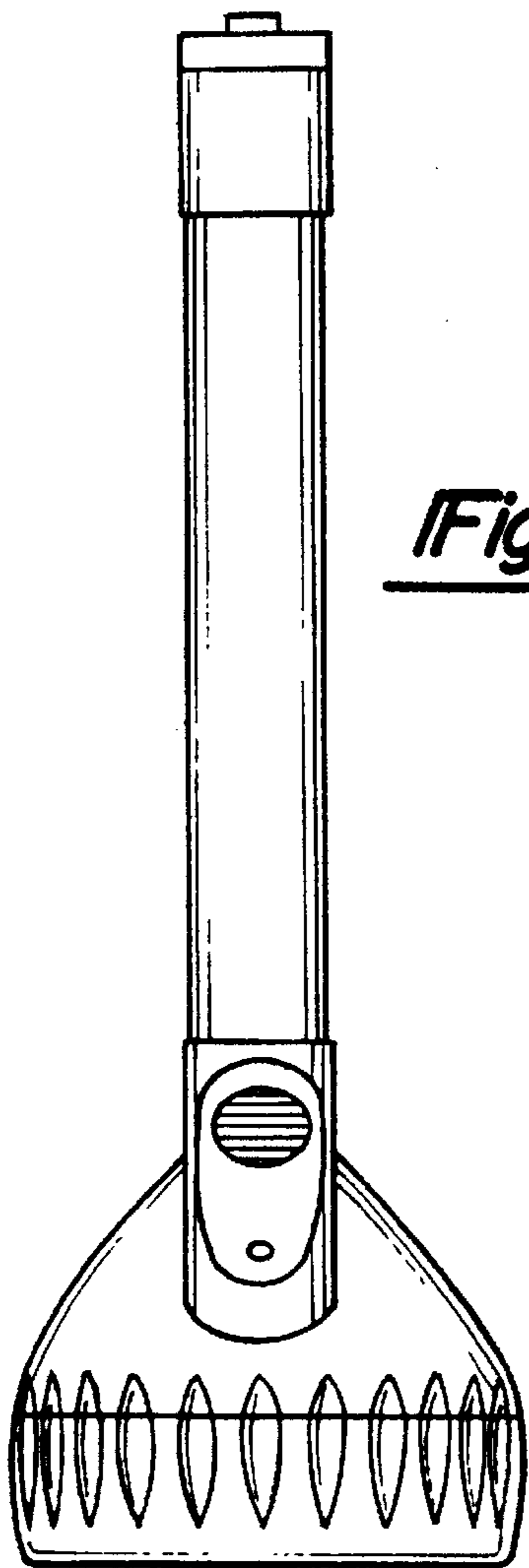


Fig - 2

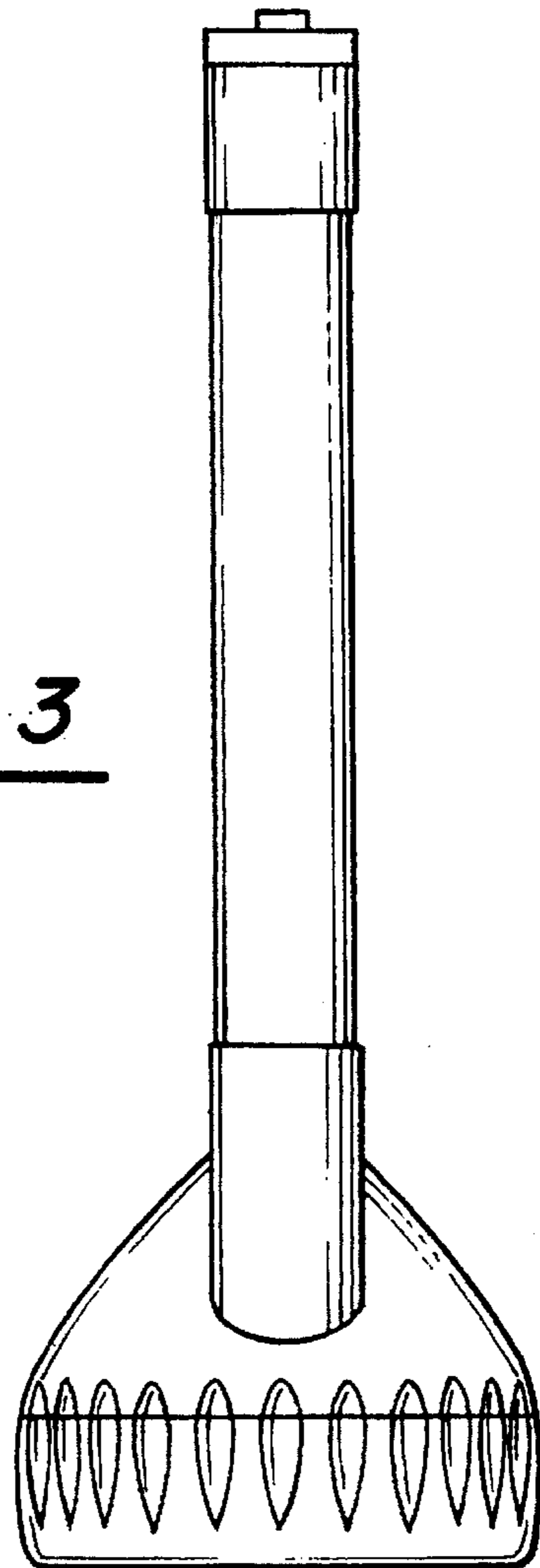


Fig - 3

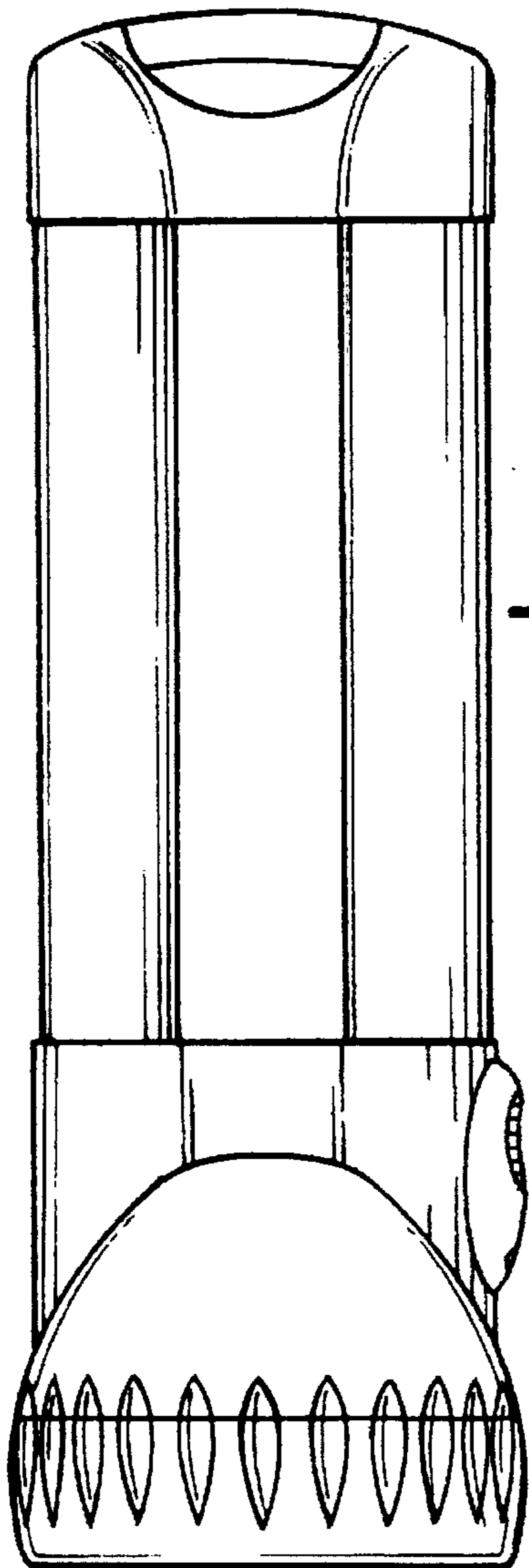


Fig - 4

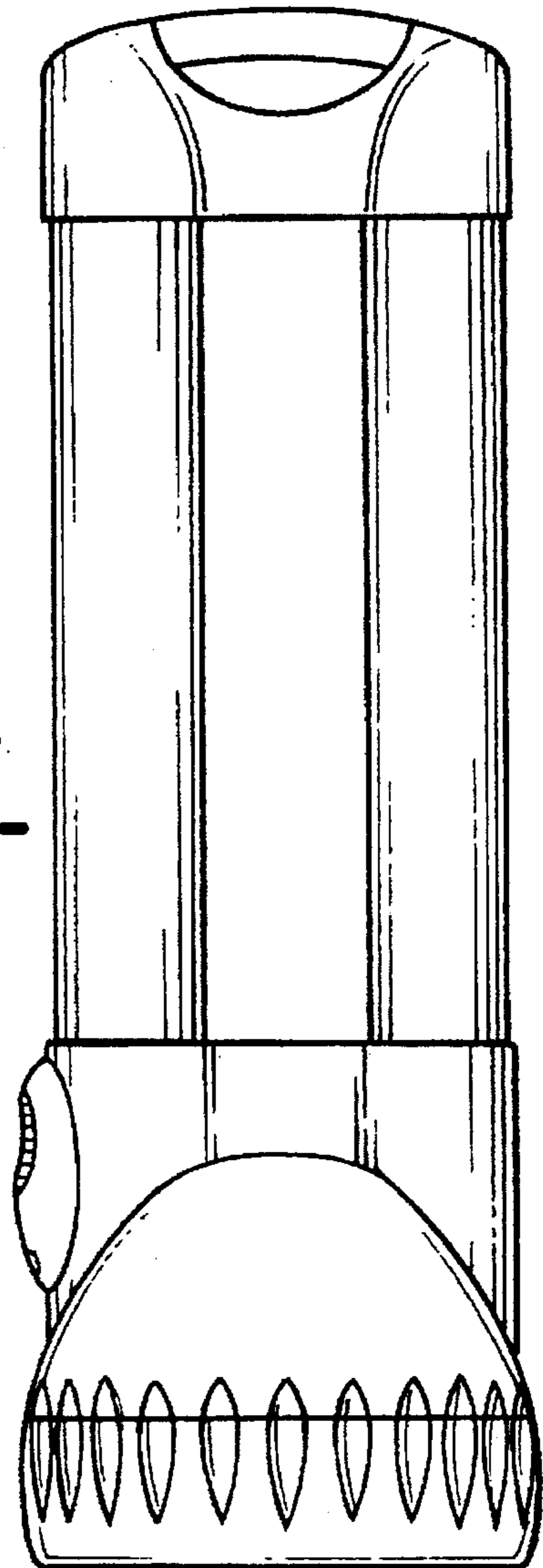


Fig - 5

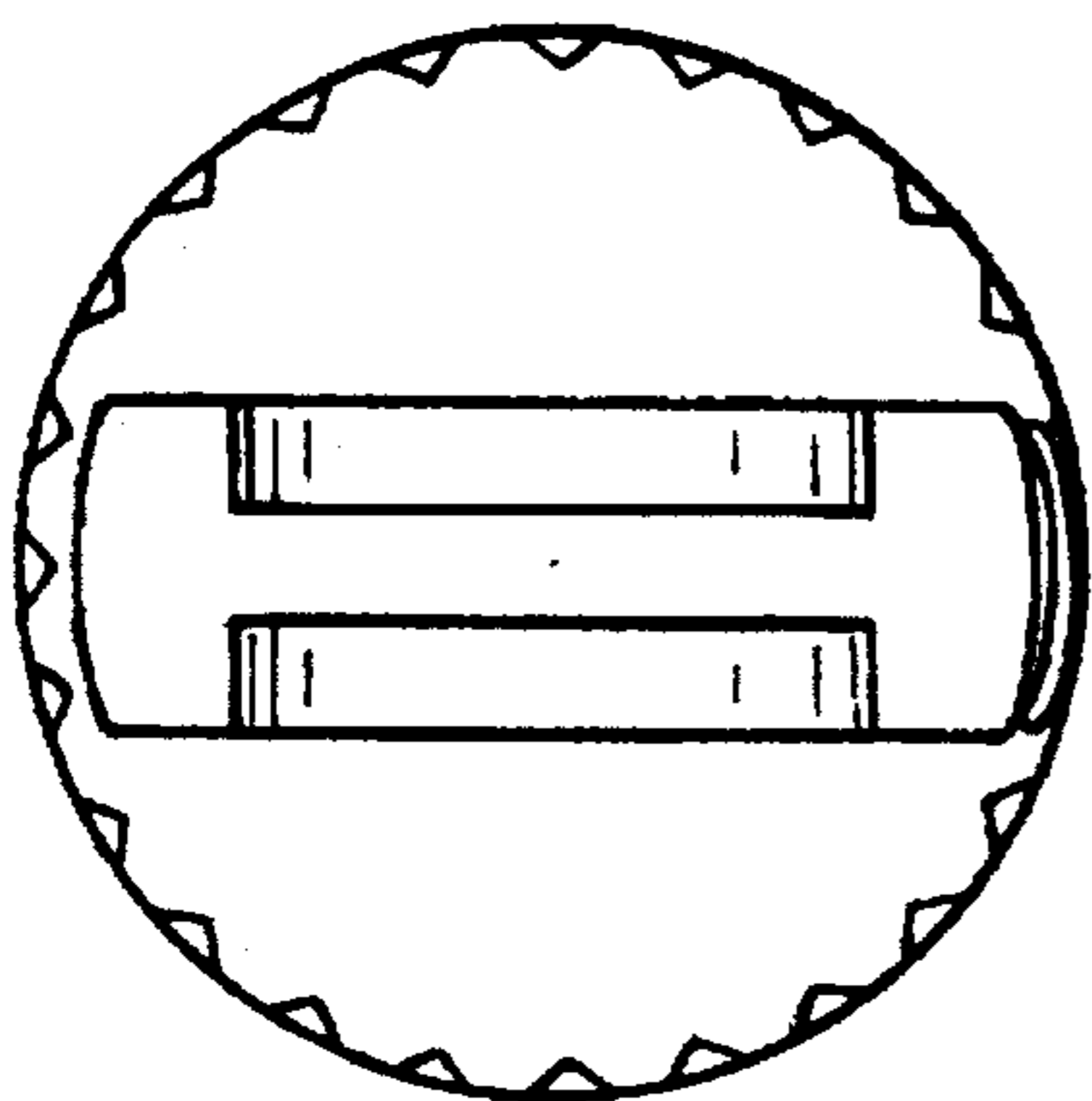


Fig - 6

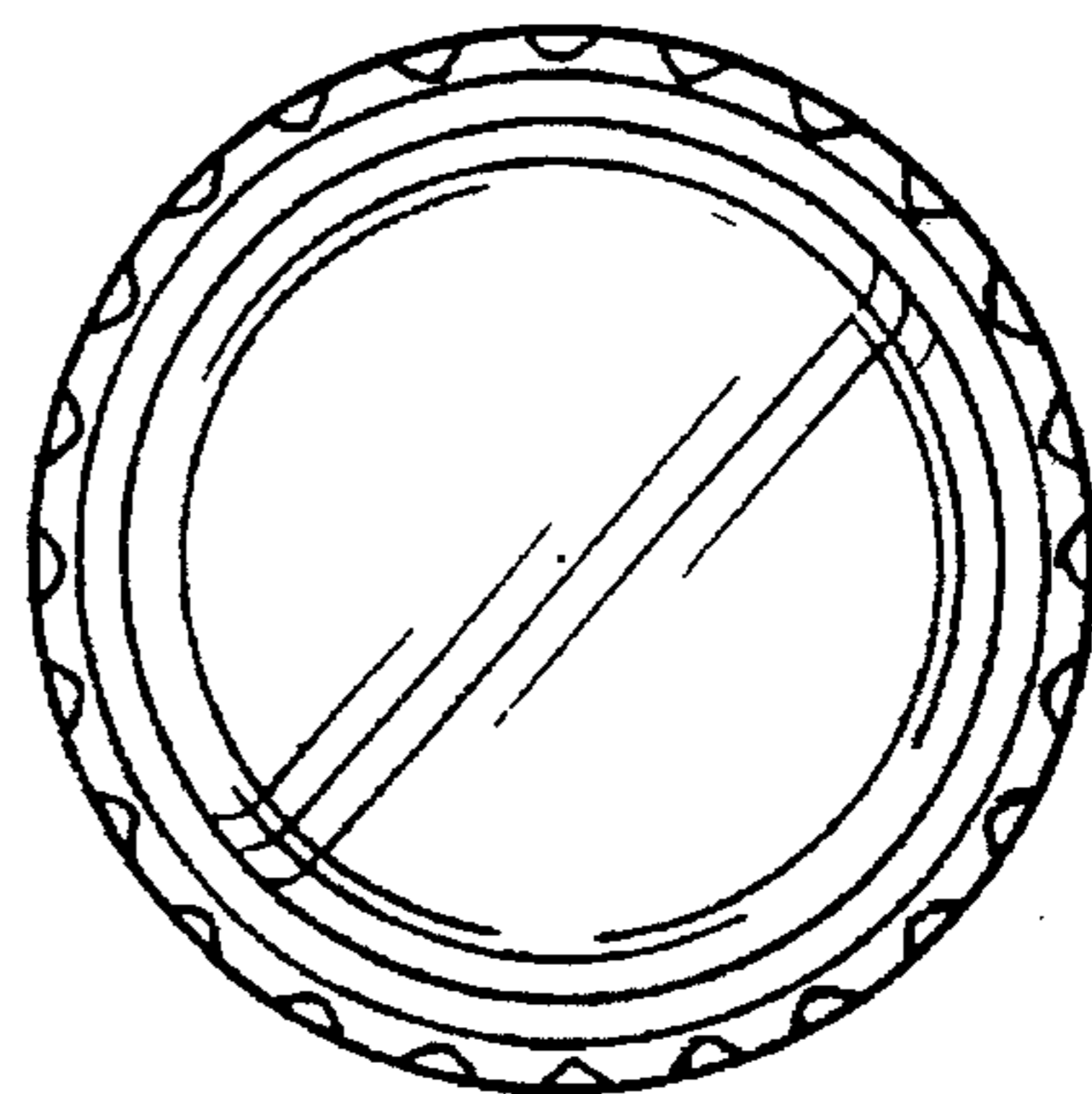


Fig - 7