



US00D383225S

# United States Patent [19]

[11] Patent Number: **Des. 383,225**

Wolfard et al.

[45] Date of Patent: **\*\*Sep. 2, 1997**

[54] **BASE FOR AN OIL LAMP**

D. 184,210 1/1959 Berabo ..... D7/624  
3,257,092 6/1966 Blundell ..... D7/624

[75] Inventors: **Linda M. Wolfard**, Santa Rosa; **Jean Tuck McGregor**, West Covina; **Steven Dyer**, Petaluma, all of Calif.

*Primary Examiner*—A. Hugo Word  
*Assistant Examiner*—Robin V. Taylor  
*Attorney, Agent, or Firm*—Donald L. Beesom

[73] Assignee: **Wolfard Glassblowing Company**, Santa Rosa, Calif.

[57] **CLAIM**

[\*\*] Term: **14 Years**

The ornamental design for a base for an oil lamp, as shown and described.

[21] Appl. No.: **25,687**

**DESCRIPTION**

[22] Filed: **Jul. 8, 1994**

[51] **LOC (6) Cl.** ..... **26-01**

[52] **U.S. Cl.** ..... **D26/23**

[58] **Field of Search** ..... D26/9-13, 20-22;  
431/290-2, 296-7, 299; 362/161-3; 248/346.1;  
D7/624; D27/102, 109

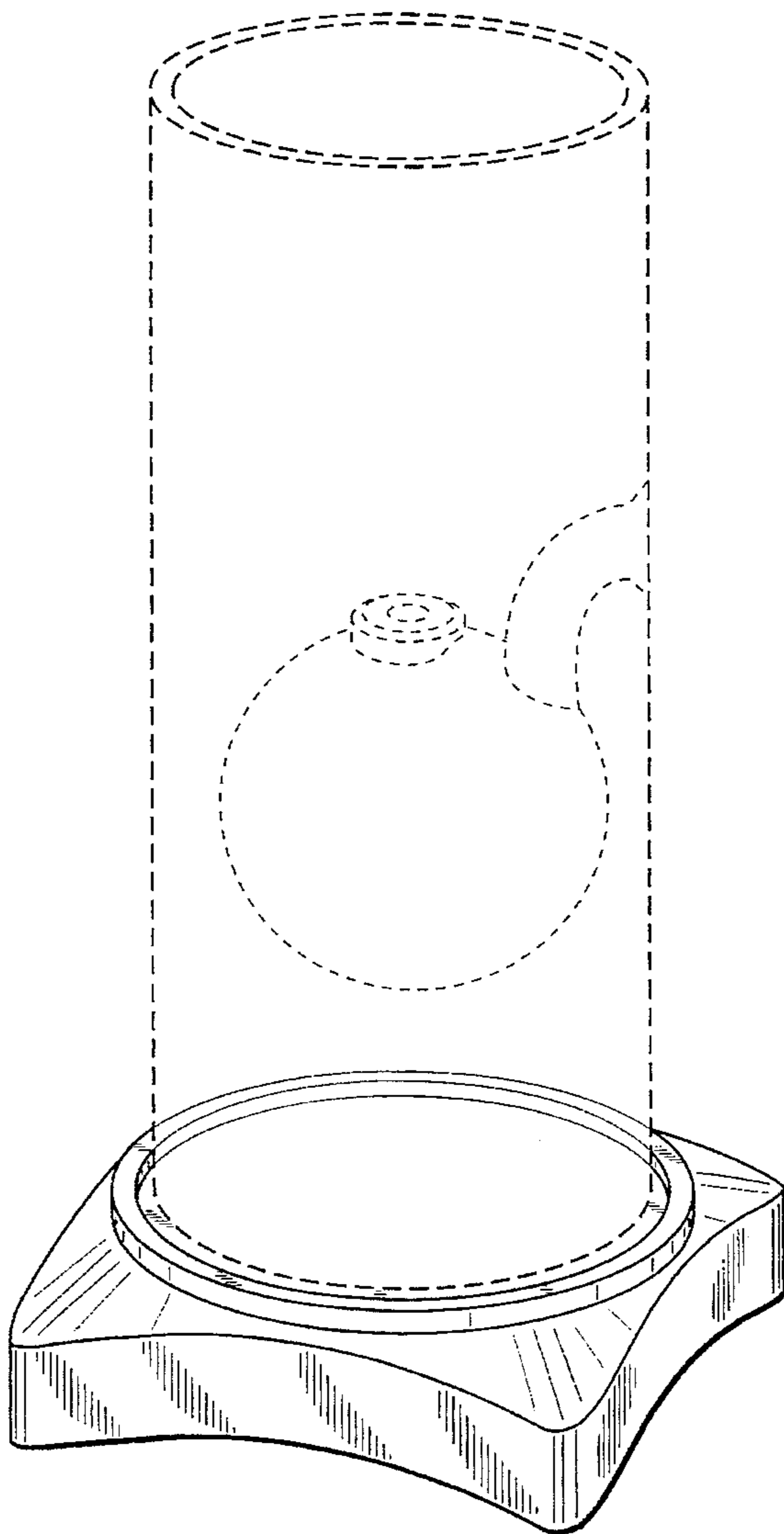
FIG. 1 is a perspective view of a base for an oil lamp in accordance with our new design;  
FIG. 2 is a front elevational view thereof on an enlarged scale, the sides and rear being identical thereto;  
FIG. 3 is a top plan view thereof on an enlarged scale; and,  
FIG. 4 is a bottom plan view thereof on an enlarged scale.  
The broken line showing of a glass oil lamp is for illustrative purposes only and forms no part of the claimed design.

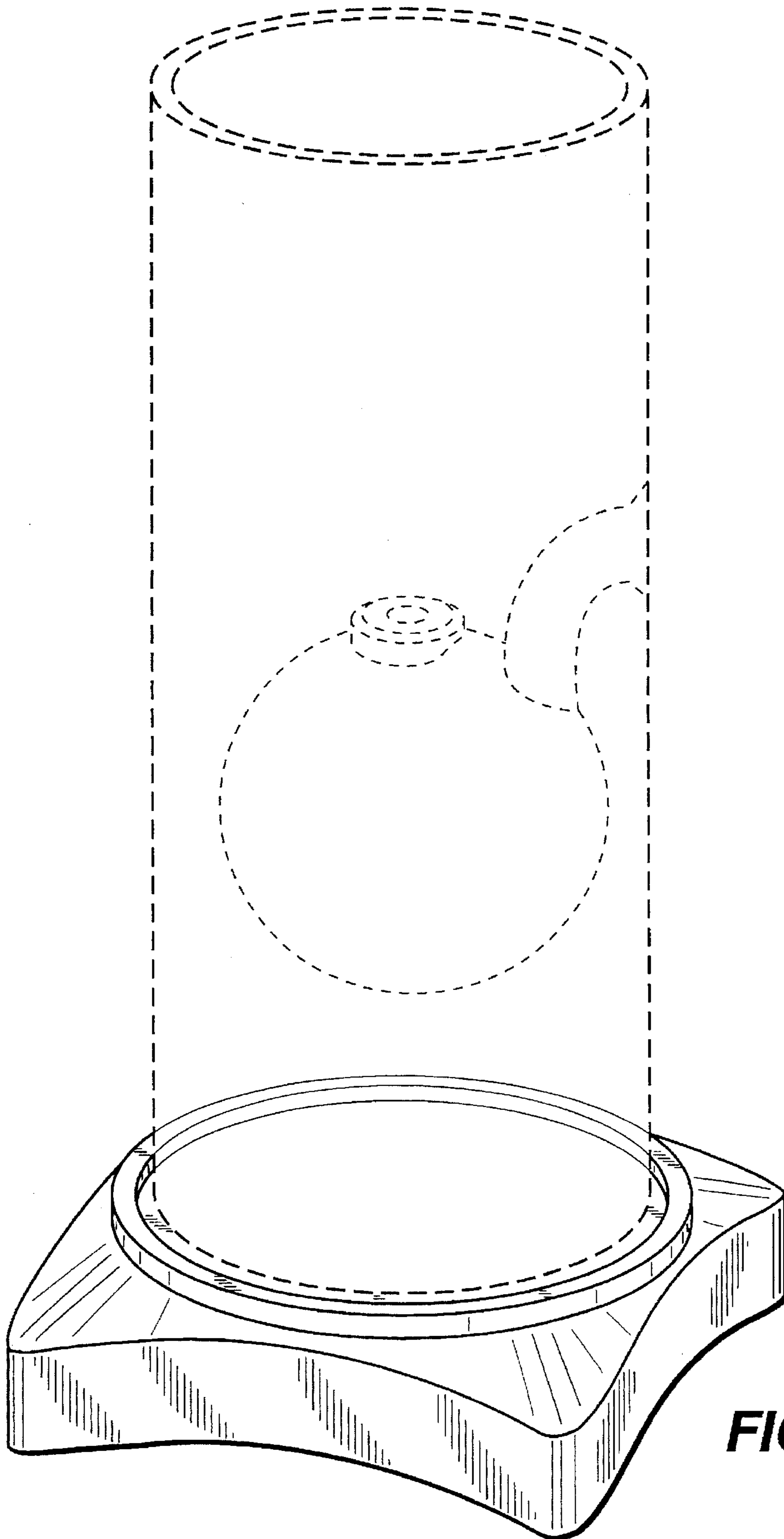
[56] **References Cited**

**U.S. PATENT DOCUMENTS**

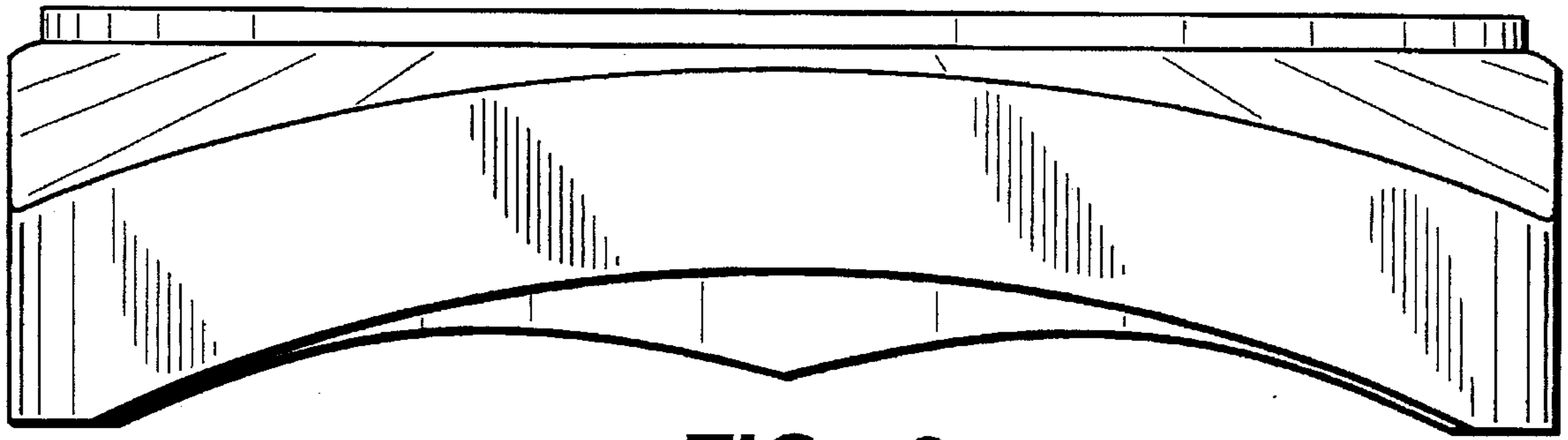
D. 130,307 11/1941 Harris ..... D7/624

**1 Claim, 3 Drawing Sheets**

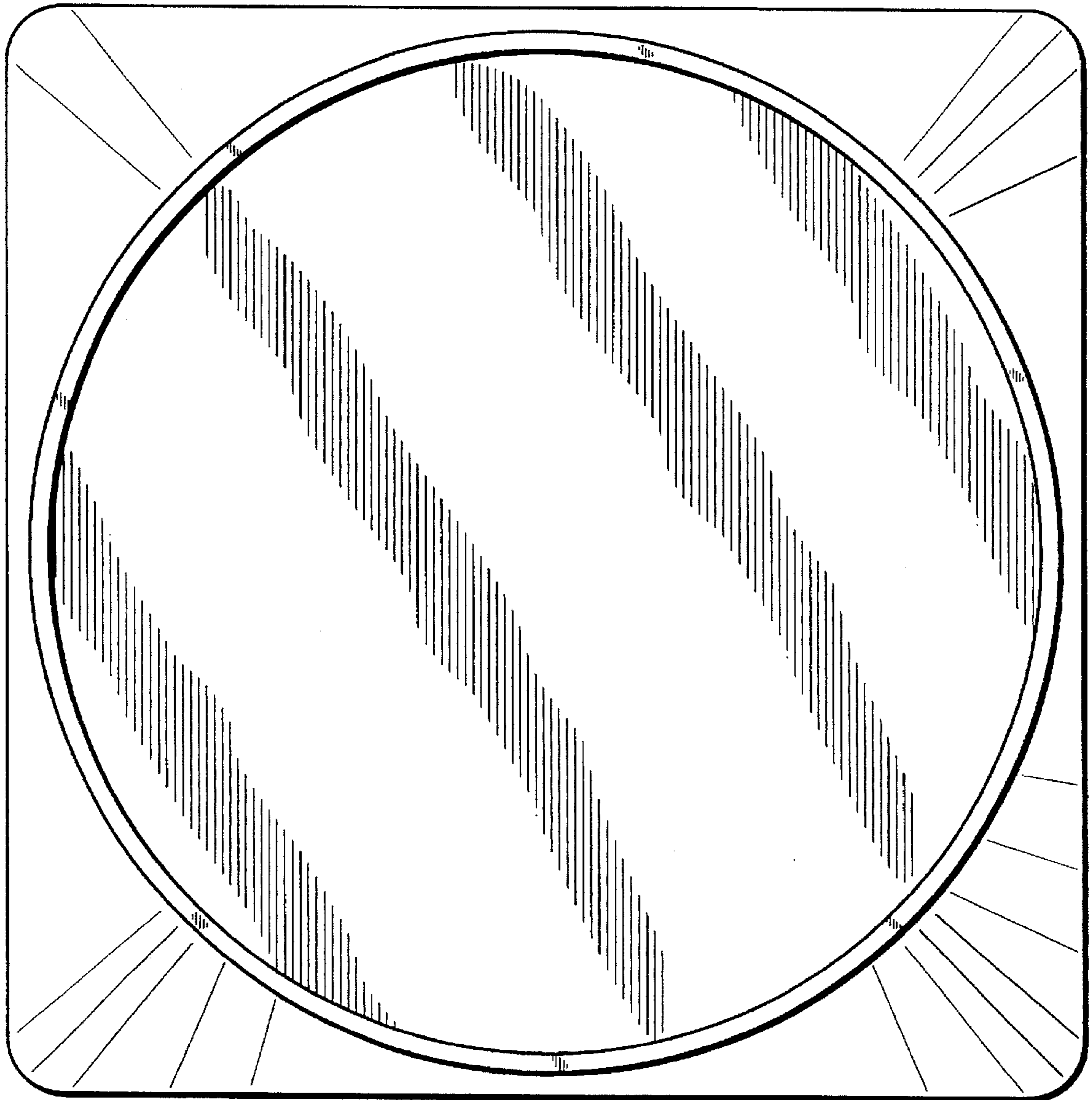




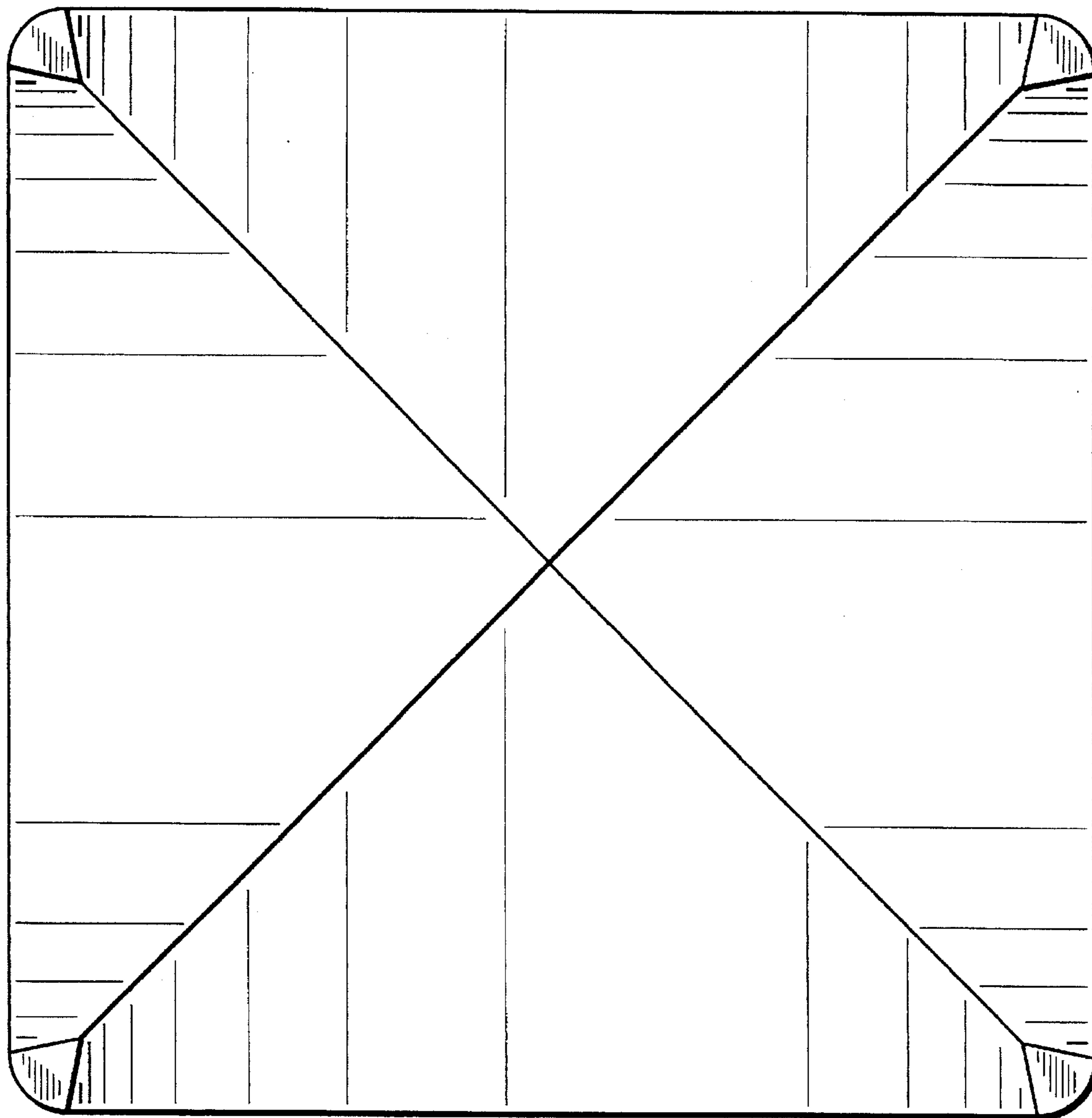
**FIG. 1**



**FIG. 2**



**FIG. 3**



**FIG. 4**