



US00D383224S

United States Patent [19]

[11] Patent Number: **Des. 383,224**

Sangen et al.

[45] Date of Patent: ****Sep. 2, 1997**

[54] **FLUORESCENT LAMP**

D. 284,793	7/1986	Engel	D26/3
D. 289,798	5/1987	Joosten .	
D. 302,733	8/1989	Sangen et al. .	
4,545,774	10/1985	Van Gils et al.	313/493

[75] Inventors: **Masashi Sangen**, Hyogo; **Takeshi Matsumura**, Osaka, both of Japan

[73] Assignee: **Matsushita Electronics Corporation**, Osaka, Japan

Primary Examiner—Marcus A. Jackson
Attorney, Agent, or Firm—Sughrue, Mion, Zinn, Macpeak & Seas

[**] Term: **14 Years**

[57] **CLAIM**

[21] Appl. No.: **58,935**

The ornamental design for a fluorescent lamp, as shown.

[22] Filed: **Aug. 28, 1996**

DESCRIPTION

[30] **Foreign Application Priority Data**

Apr. 25, 1996 [JP] Japan 8-12648

FIG. 1 is a perspective view of the top, front and one side of a fluorescent lamp showing our new design;
 FIG. 2 is a front elevational view thereof;
 FIG. 3 is a top plan view thereof;
 FIG. 4 is a bottom plan view thereof;
 FIG. 5 is a side elevational view of said one side thereof;
 FIG. 6 is an rear elevational view thereof; and,
 FIG. 7 is a side elevational view of said opposite side thereof.

[51] LOC (6) Cl. **26-04**

[52] U.S. Cl. **D26/3**

[58] **Field of Search** D26/1, 2, 3; 313/315, 313/317, 318, 110, 113, 116, 493; 315/56, 57, 58, 73

[56] **References Cited**

U.S. PATENT DOCUMENTS

D. 272,000 12/1983 Nanba et al. D26/3

1 Claim, 2 Drawing Sheets

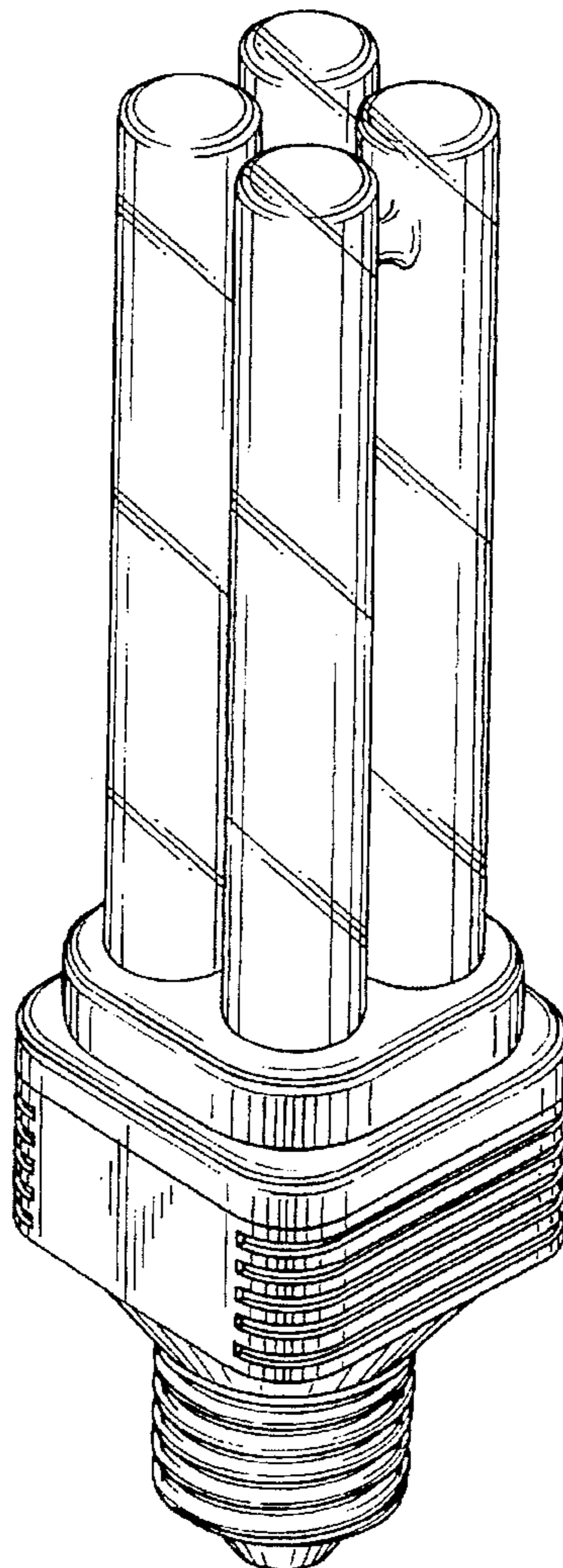


FIG. 1

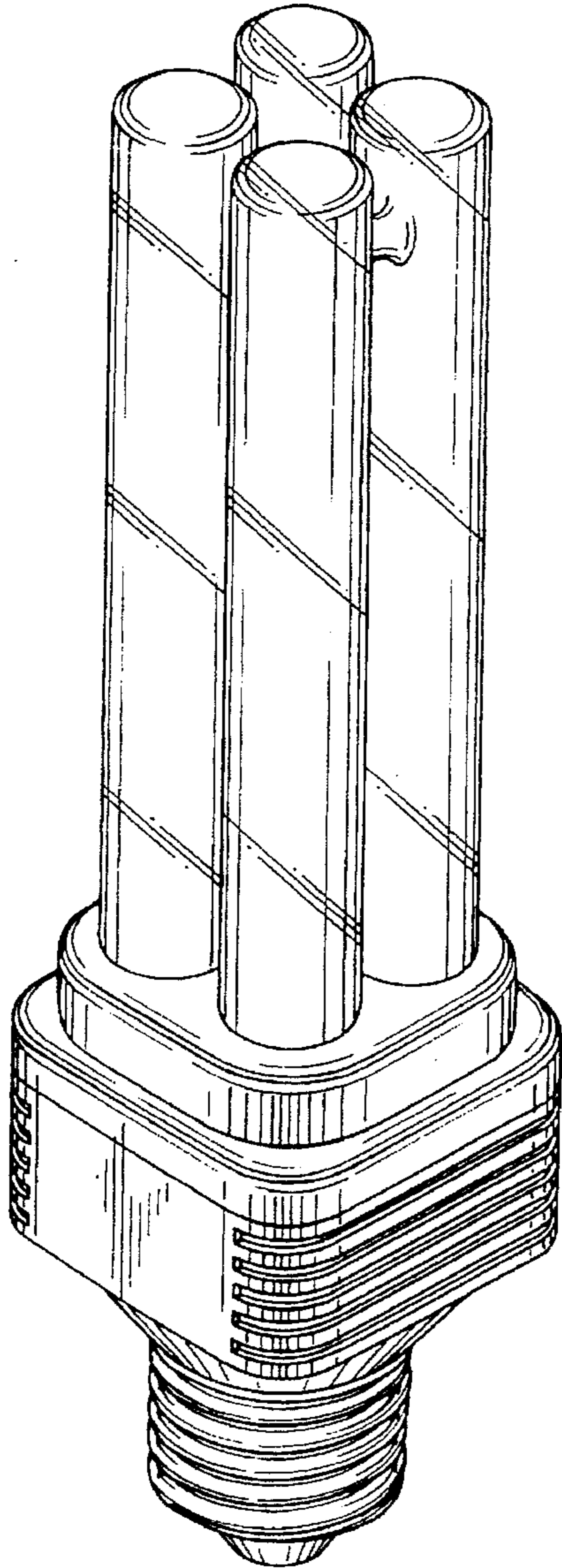


FIG. 2

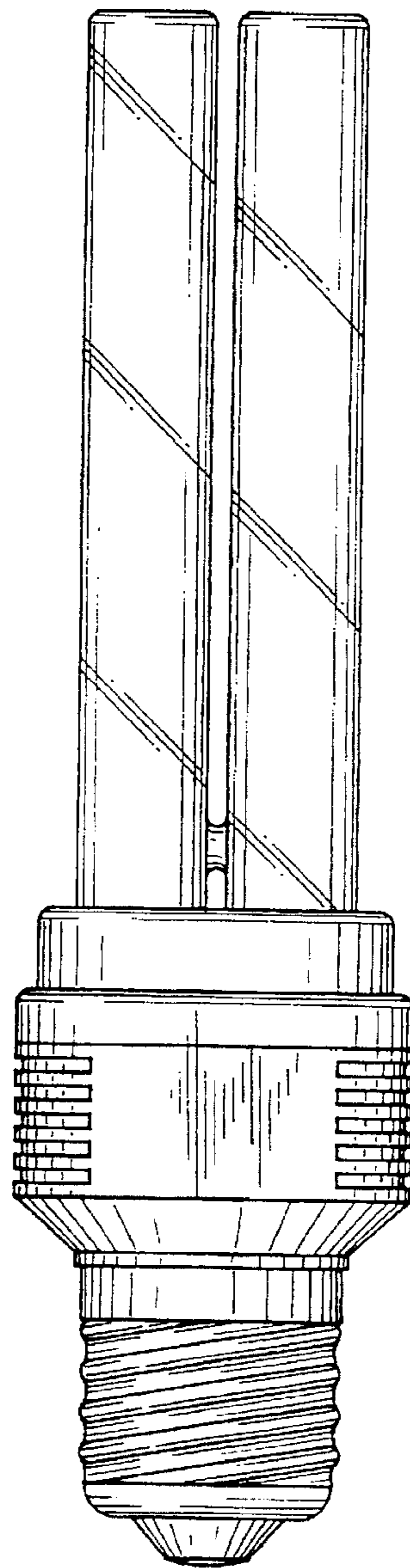


FIG. 3

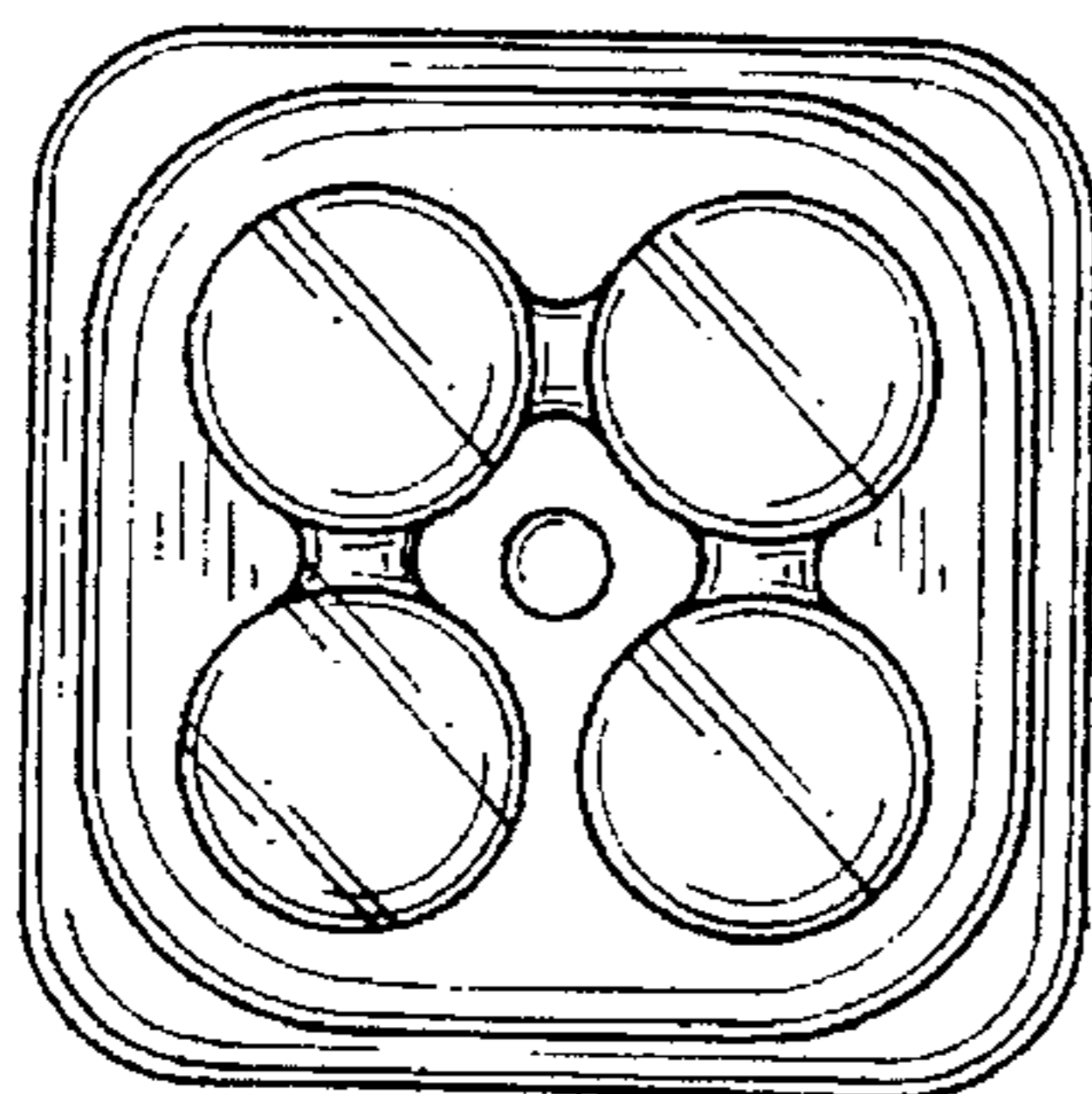


FIG. 4

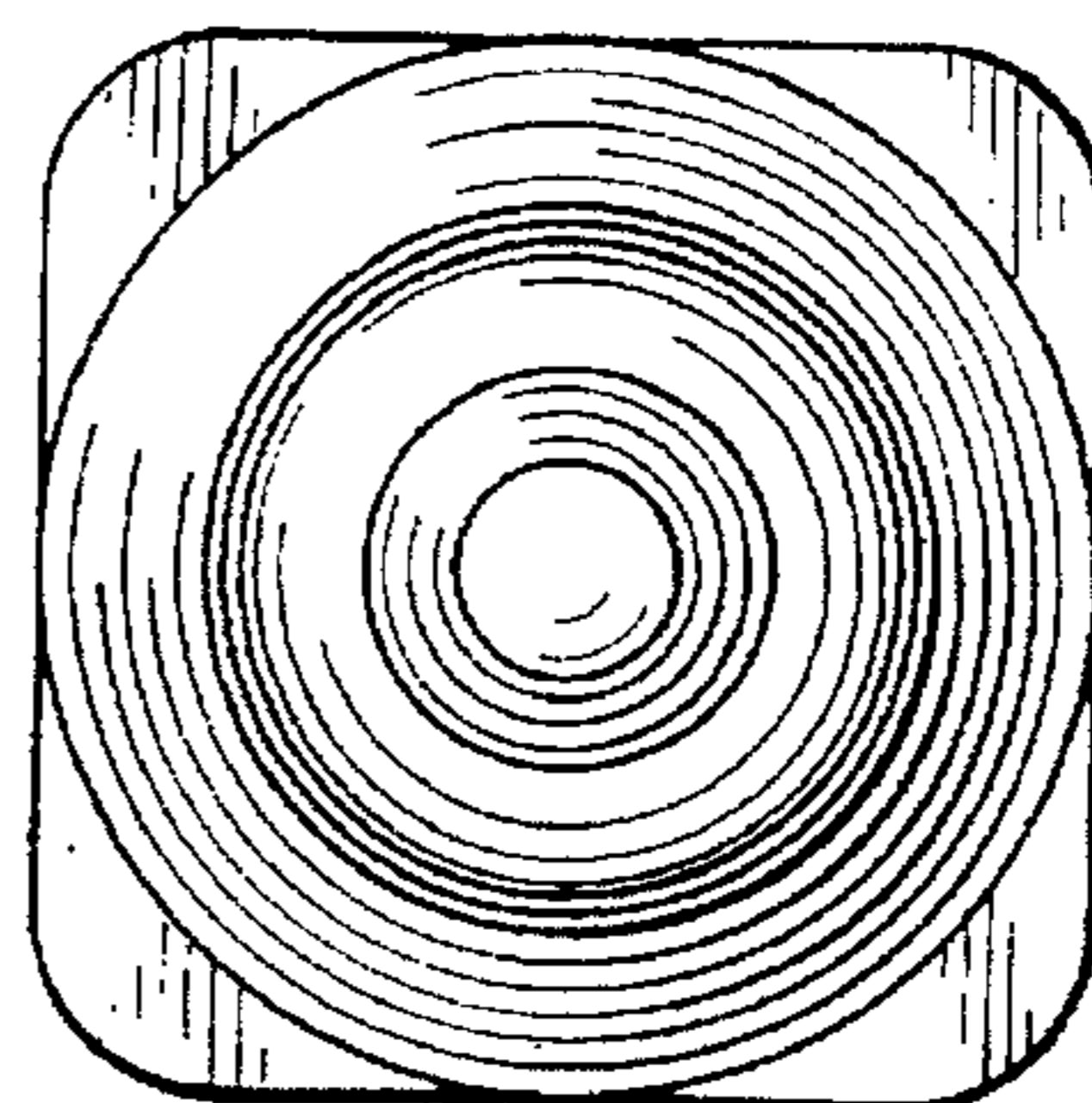


FIG. 5

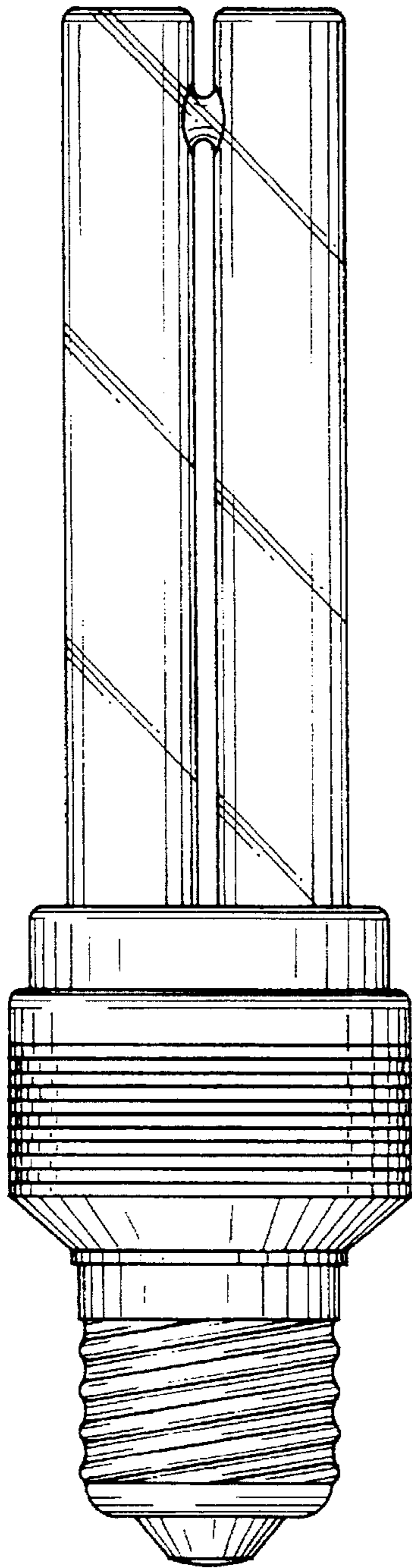


FIG. 6

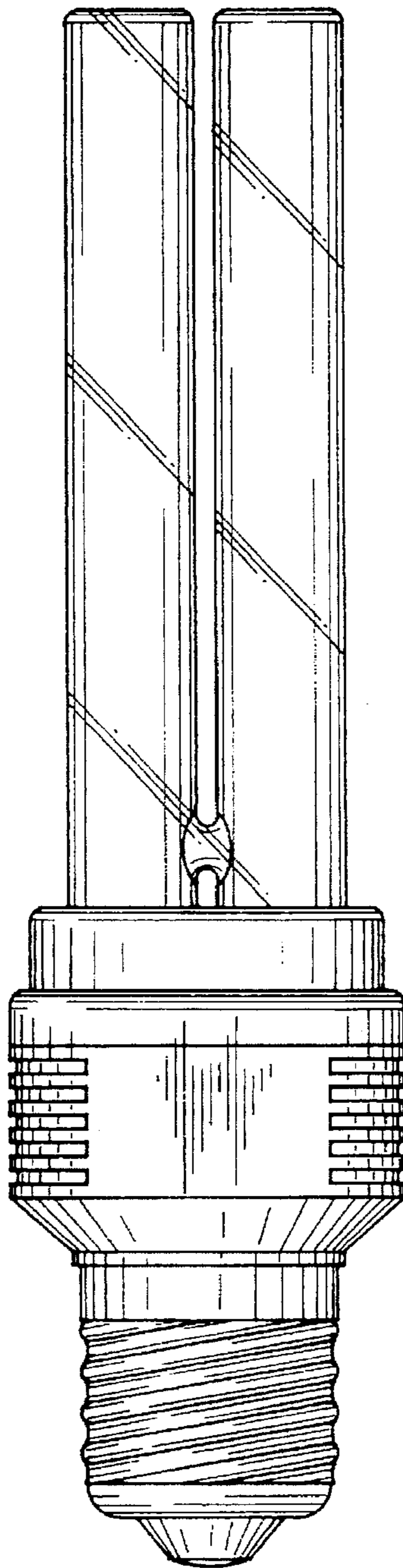


FIG. 7

