



US00D383220S

United States Patent [19]

[11] Patent Number: **Des. 383,220**

Harbeke et al.

[45] Date of Patent: ****Sep. 2, 1997**

[54] **CEILING SUPPORT FOR EXHIBITION CONSTRUCTION SYSTEM**

4,030,256	6/1977	Ollman	D25/61
4,088,229	5/1978	Jacobey et al.	211/191
4,569,501	2/1986	McCracken	52/645
4,970,833	11/1990	Porter	52/93.1
5,012,938	5/1991	King	211/191

[75] Inventors: **Christian Harbeke; Ruedi August Müller**, both of Zürich, Switzerland

[73] Assignee: **Expotechnik Heinz Soschinski GmbH**, Taunusstein, Germany

Primary Examiner—Doris Clark
Attorney, Agent, or Firm—Goodman & Teitelbaum, ESQS.

[**] Term: **14 Years**

[57] CLAIM

[21] Appl. No.: **40,299**

The ornamental design for a ceiling support for exhibition construction system, as shown and described.

[22] Filed: **May 30, 1995**

DESCRIPTION

Related U.S. Application Data

[62] Division of Ser. No. 13,558, Sep. 27, 1993, Pat. No. Des. 374,291.

FIG. 1 is a fragmented front perspective view of a ceiling support for exhibition construction system, showing our new design;

[51] **LOC (6) Cl.** **25-02**

FIG. 2 is a fragmented enlarged top plan view thereof;

[52] **U.S. Cl.** **D25/61; D25/127**

FIG. 3 is a fragmented enlarged bottom plan view thereof; FIG. 4 is a fragmented enlarged right side elevational view thereof;

[58] **Field of Search** D25/126-127, D25/61; 211/191; 52/93.1, 243.1, 300-301, 720, 726.2, 745.17, 792.1, 272, 223.4, 274, 275, 282.3, 656.1, 736.2, 645

FIG. 5 is a fragmented enlarged left side elevational view thereof;

[56] References Cited

U.S. PATENT DOCUMENTS

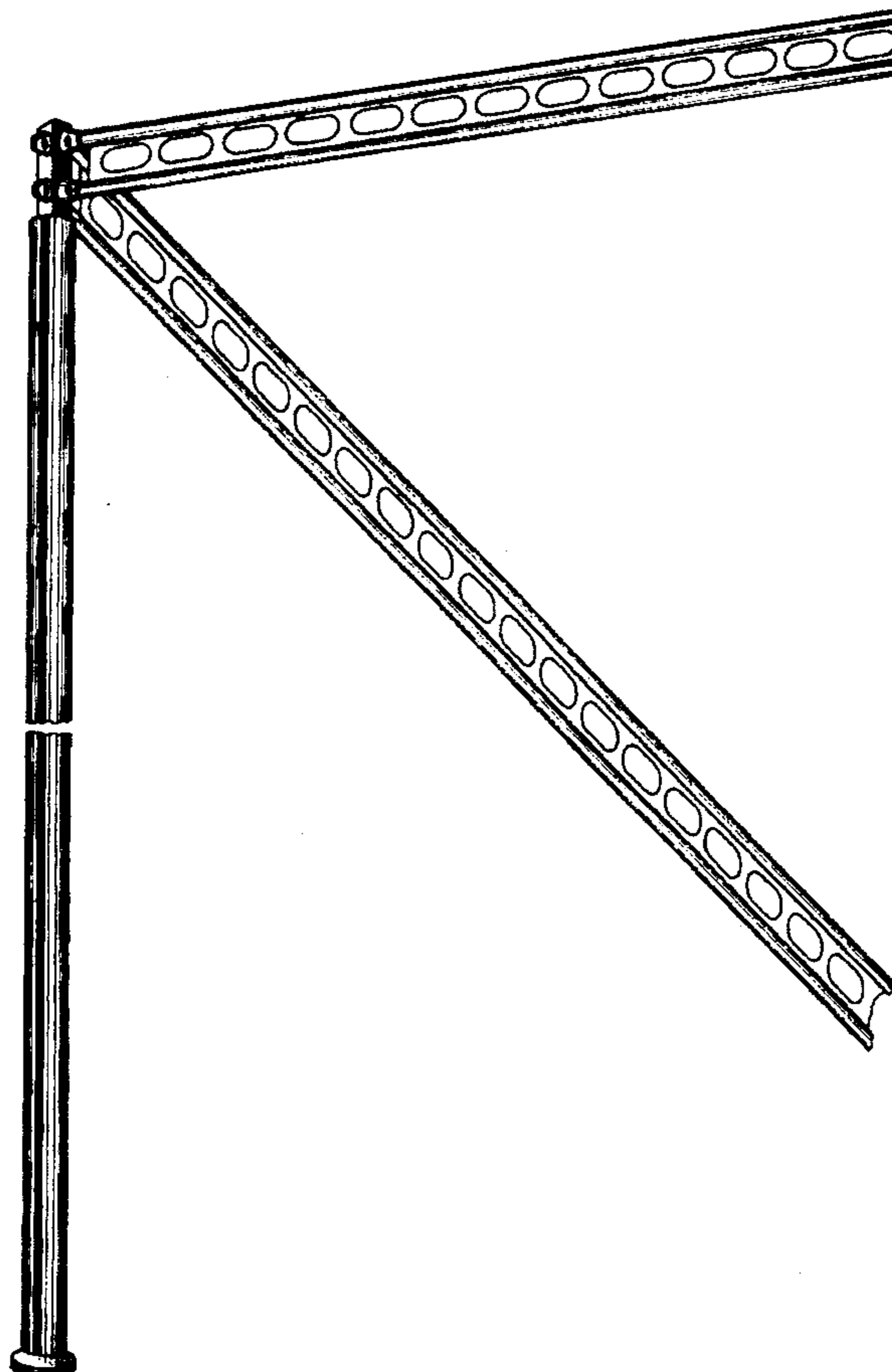
D. 189,022	10/1960	Feffer, Jr.	D25/127
3,777,426	12/1973	Weiner	52/274
3,823,523	7/1974	Wells	52/645

FIG. 6 is a fragmented enlarged front elevational view thereof; and,

FIG. 7 is a fragmented enlarged rear elevational view thereof.

The ceiling support for exhibition construction system is shown fragmented on the end and broken away in the center to indicate indeterminate length.

1 Claim, 7 Drawing Sheets



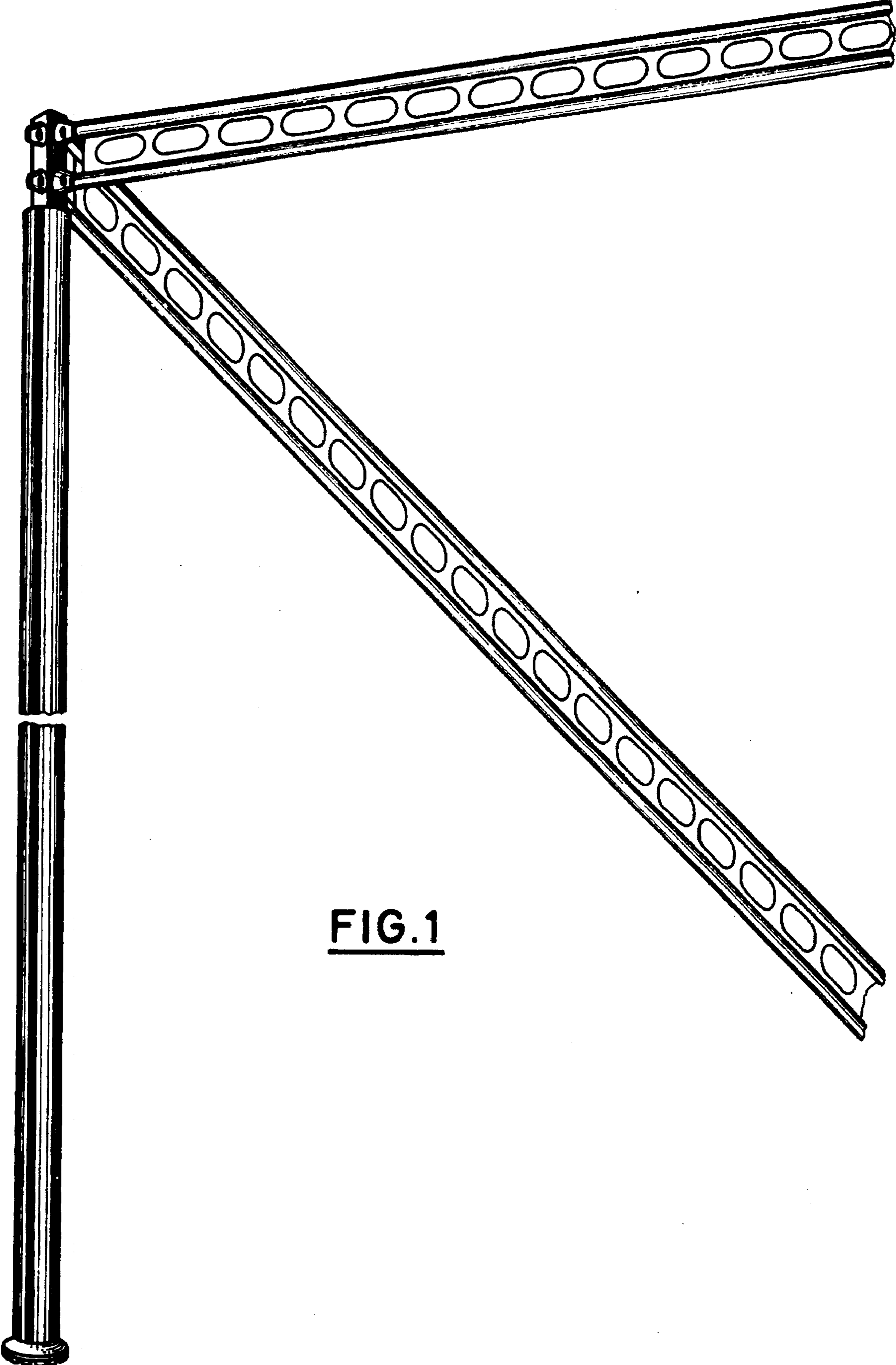


FIG.1

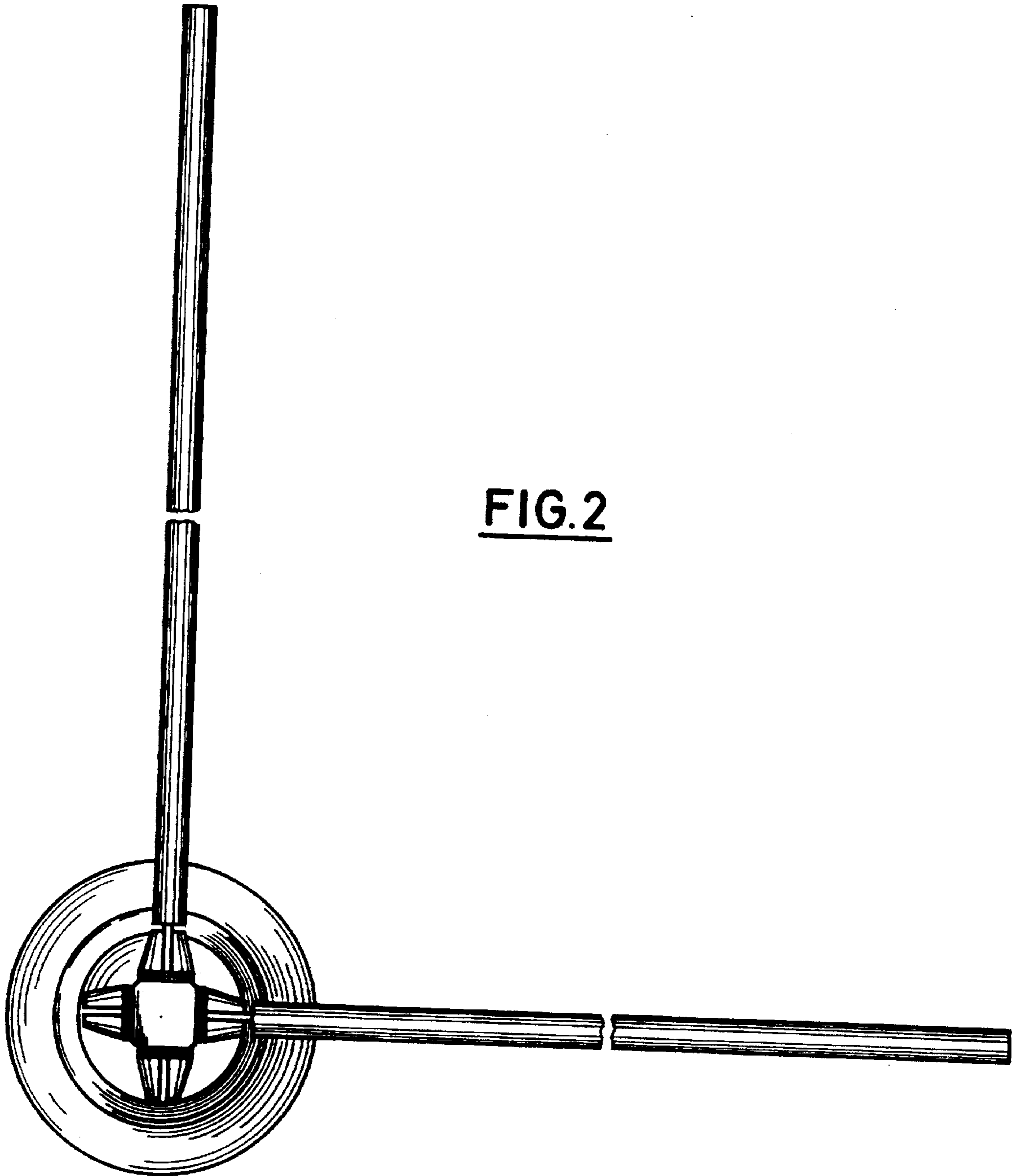


FIG. 2

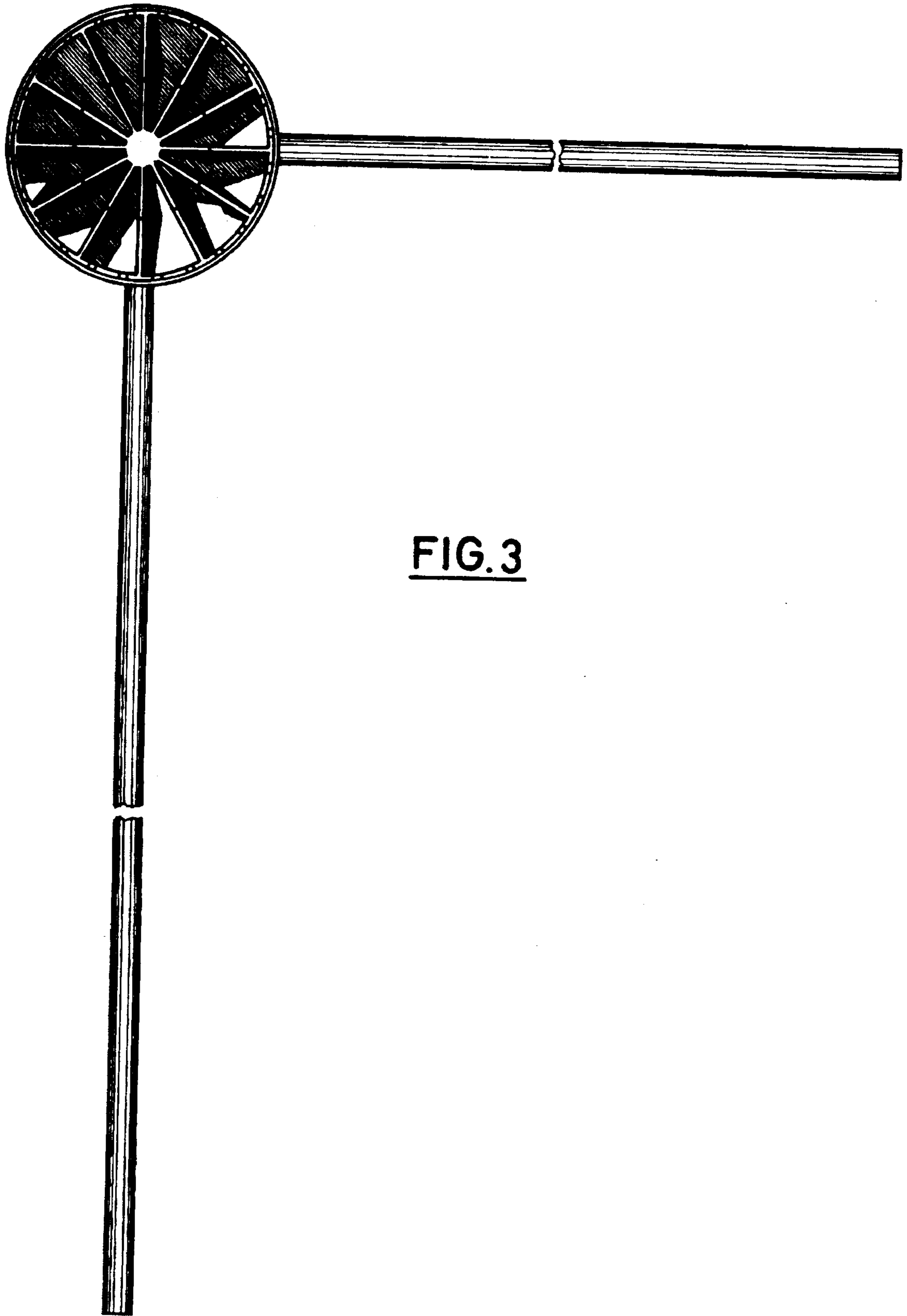


FIG. 3

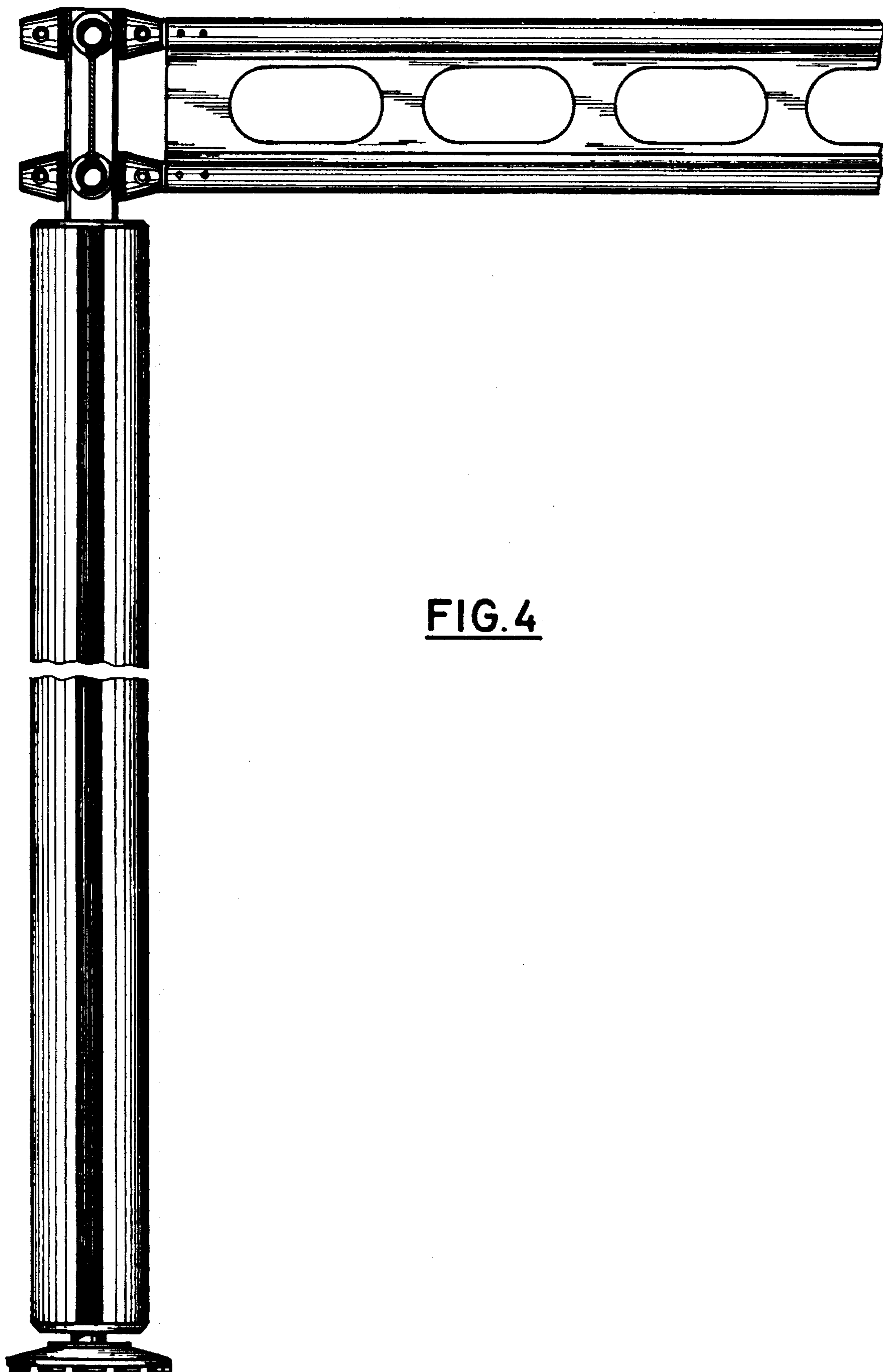


FIG. 4

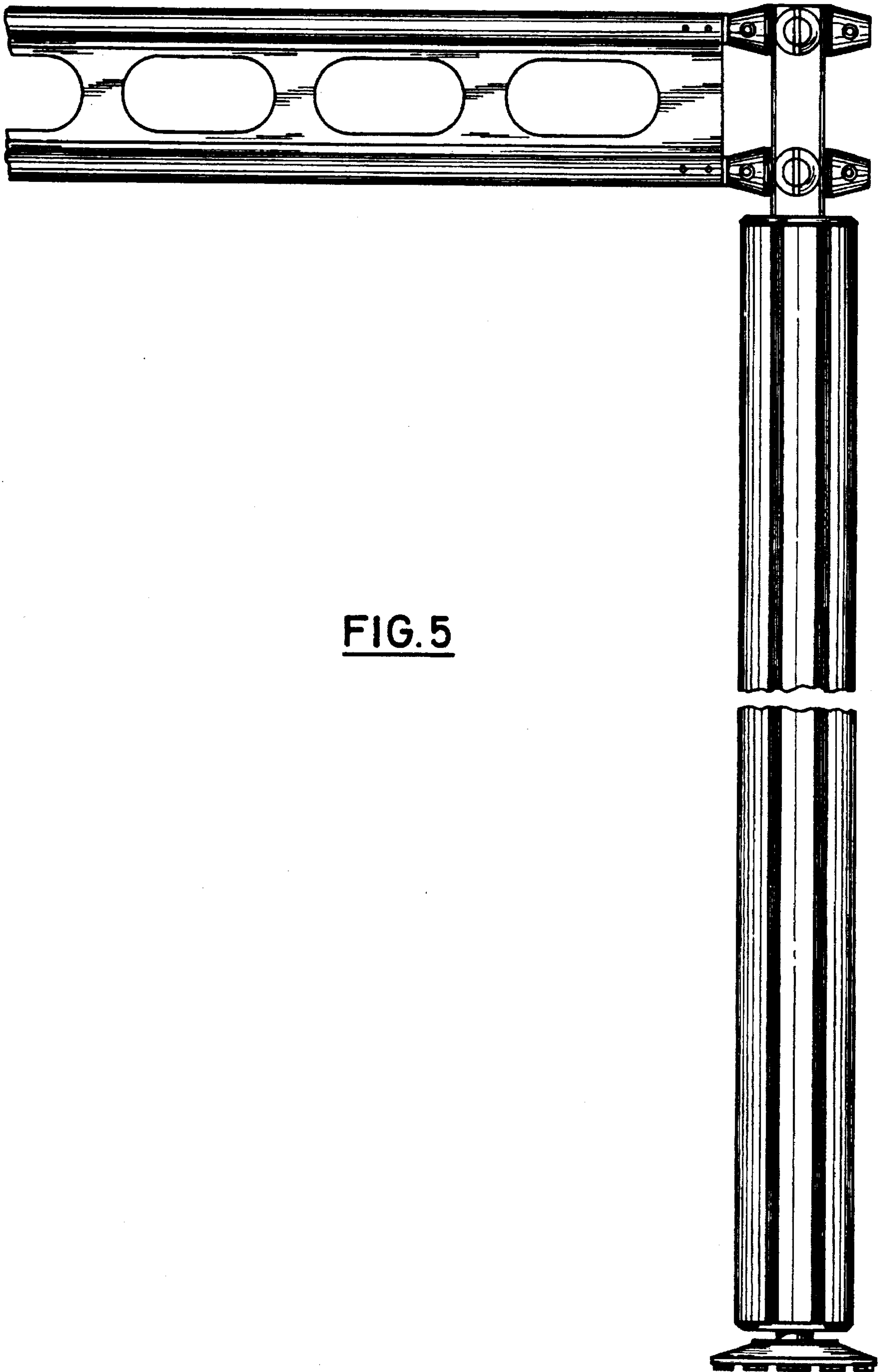


FIG. 5

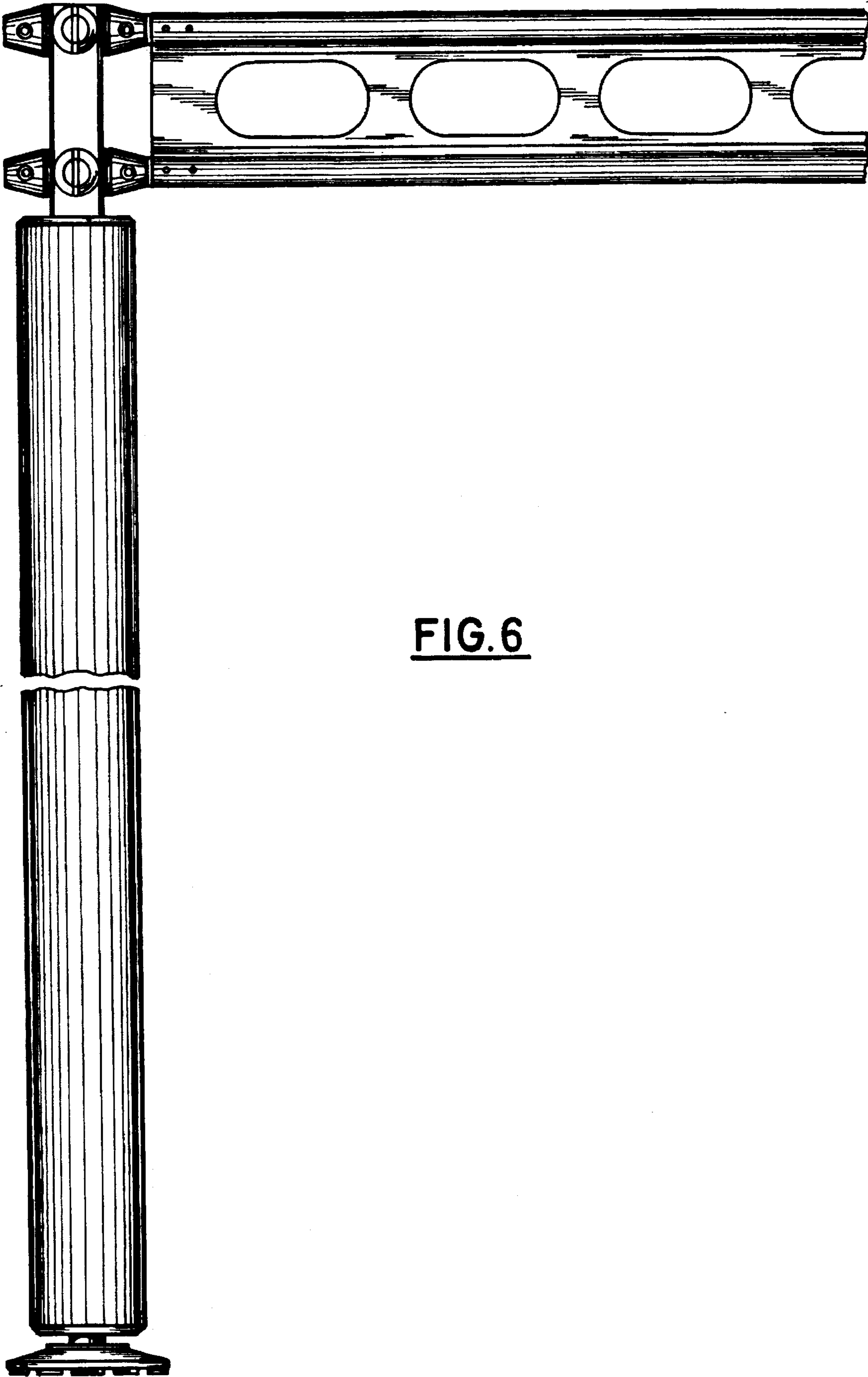


FIG. 6

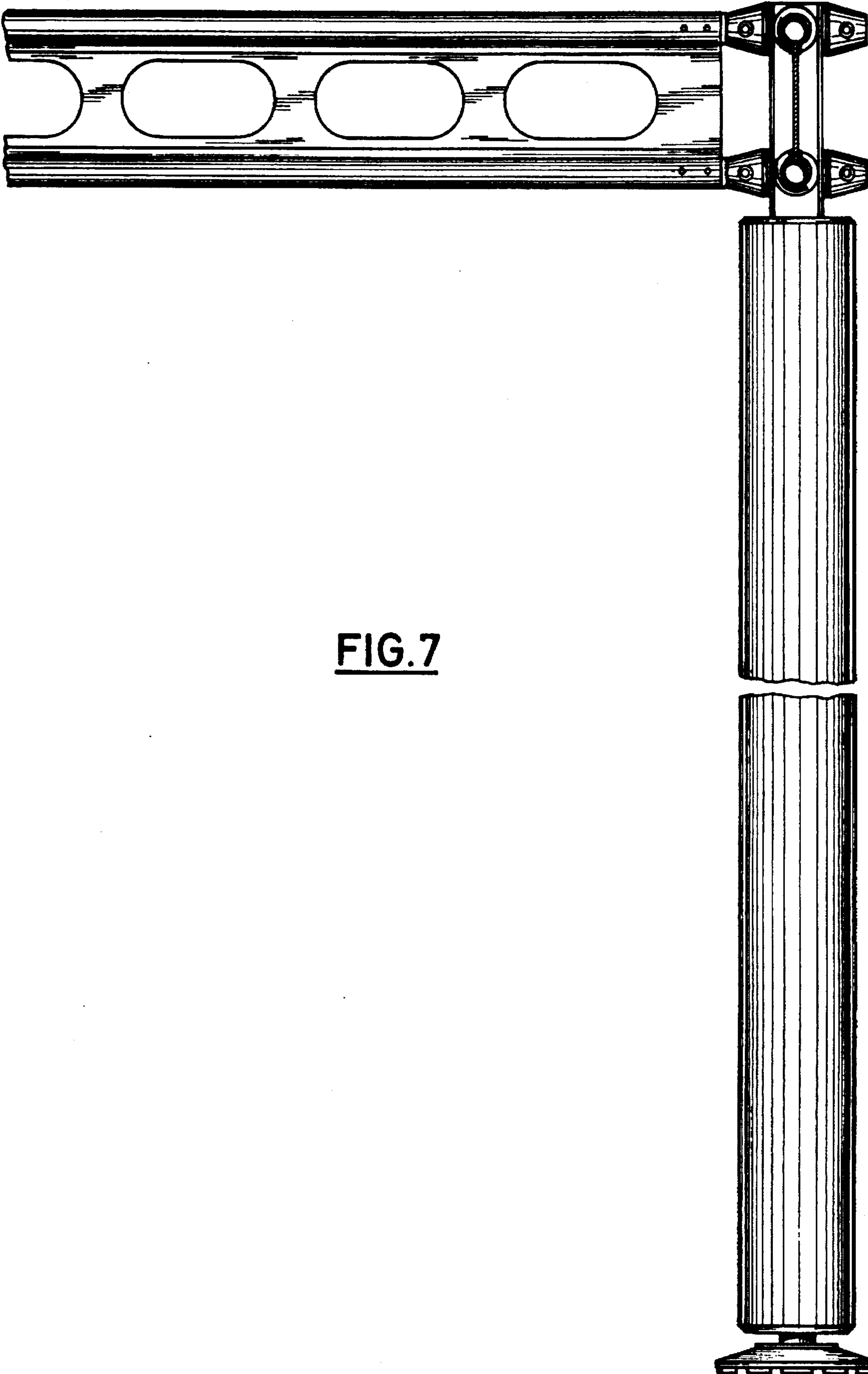


FIG. 7