



US00D383219S

**United States Patent** [19]  
**Roberts**

[11] **Patent Number:** **Des. 383,219**

[45] **Date of Patent:** **\*\*Sep. 2, 1997**

[54] **WINDOW FRAME UNIT FOR GARAGE DOORS**

[76] **Inventor:** **James Danny Roberts**, 7 Dawn Rd., Benson, N.C. 27504

[\*\*] **Term:** **14 Years**

[21] **Appl. No.:** **37,236**

[22] **Filed:** **Apr. 7, 1995**

[51] **LOC (6) Cl.** ..... **25-02**

[52] **U.S. Cl.** ..... **D25/60**

[58] **Field of Search** ..... D25/60, 52; 160/238, 160/201, 236, 232, 229.1; 49/501, 504, DIG. 2

[56] **References Cited**

**U.S. PATENT DOCUMENTS**

1,983,098 12/1934 Pixley ..... 160/232  
4,567,931 2/1986 Wentzel ..... 160/232

*Primary Examiner*—Doris Clark

[57] **CLAIM**

The ornamental design for a window frame unit for garage doors, as shown and described.

**DESCRIPTION**

FIG. 1 is a top perspective view of the outer portion of the window frame unit for garage doors showing my new design;

FIG. 2 is a bottom perspective view thereof;

FIG. 3 is a sectional view taken through lines 3—3 of FIG. 4;

FIG. 4 is a bottom perspective view of the interior portion thereof;

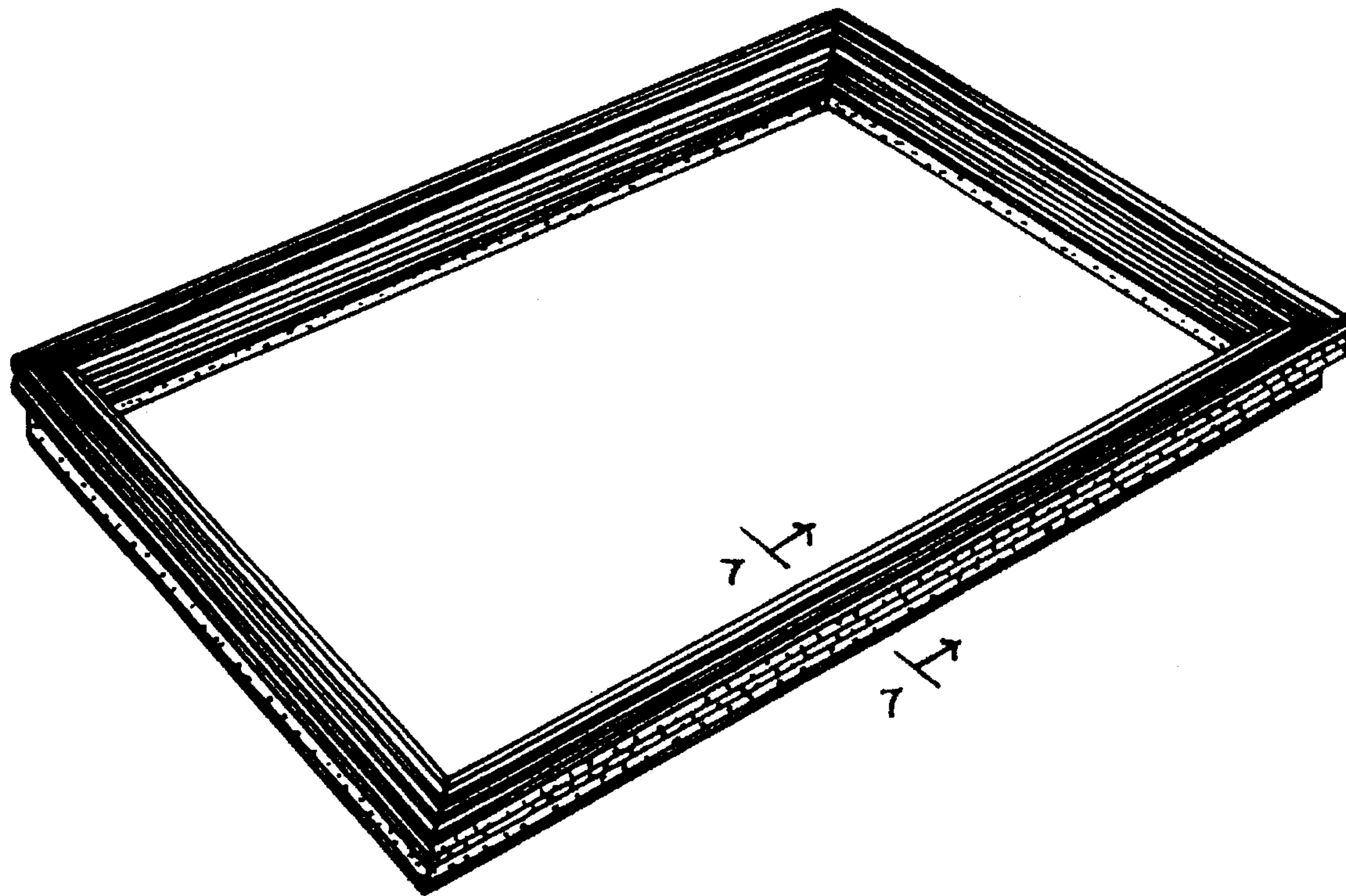
FIG. 5 is a top perspective view thereof;

FIG. 6 is a sectional view taken through lines 6—6 of FIG. 2;

FIG. 7 is a sectional view taken through lines 7—7 of FIG. 8; and,

FIG. 8 is a perspective view of the outer portion and interior portion of the window frame unit for garage doors snapped together.

**1 Claim, 3 Drawing Sheets**



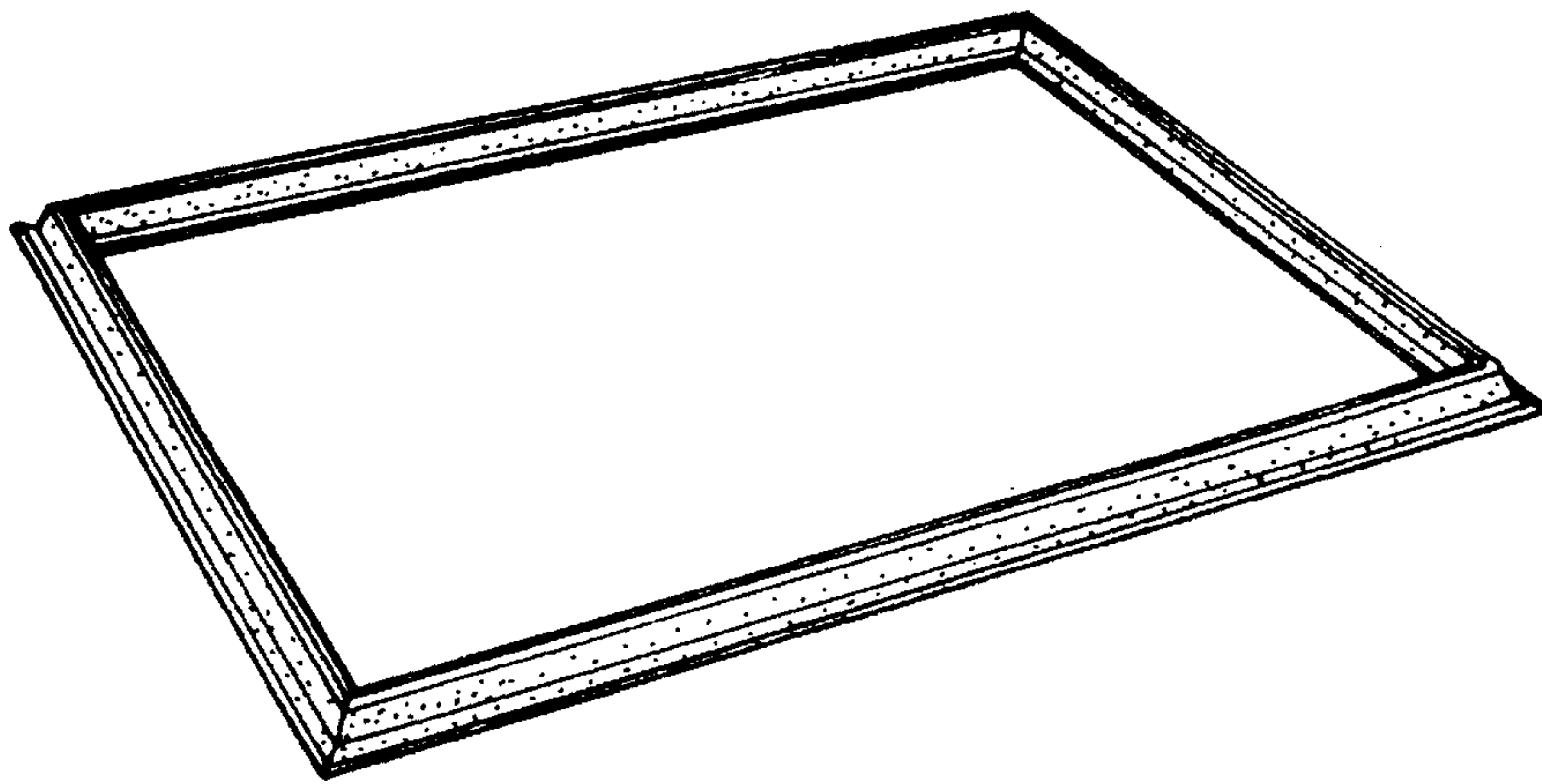


FIG. 1

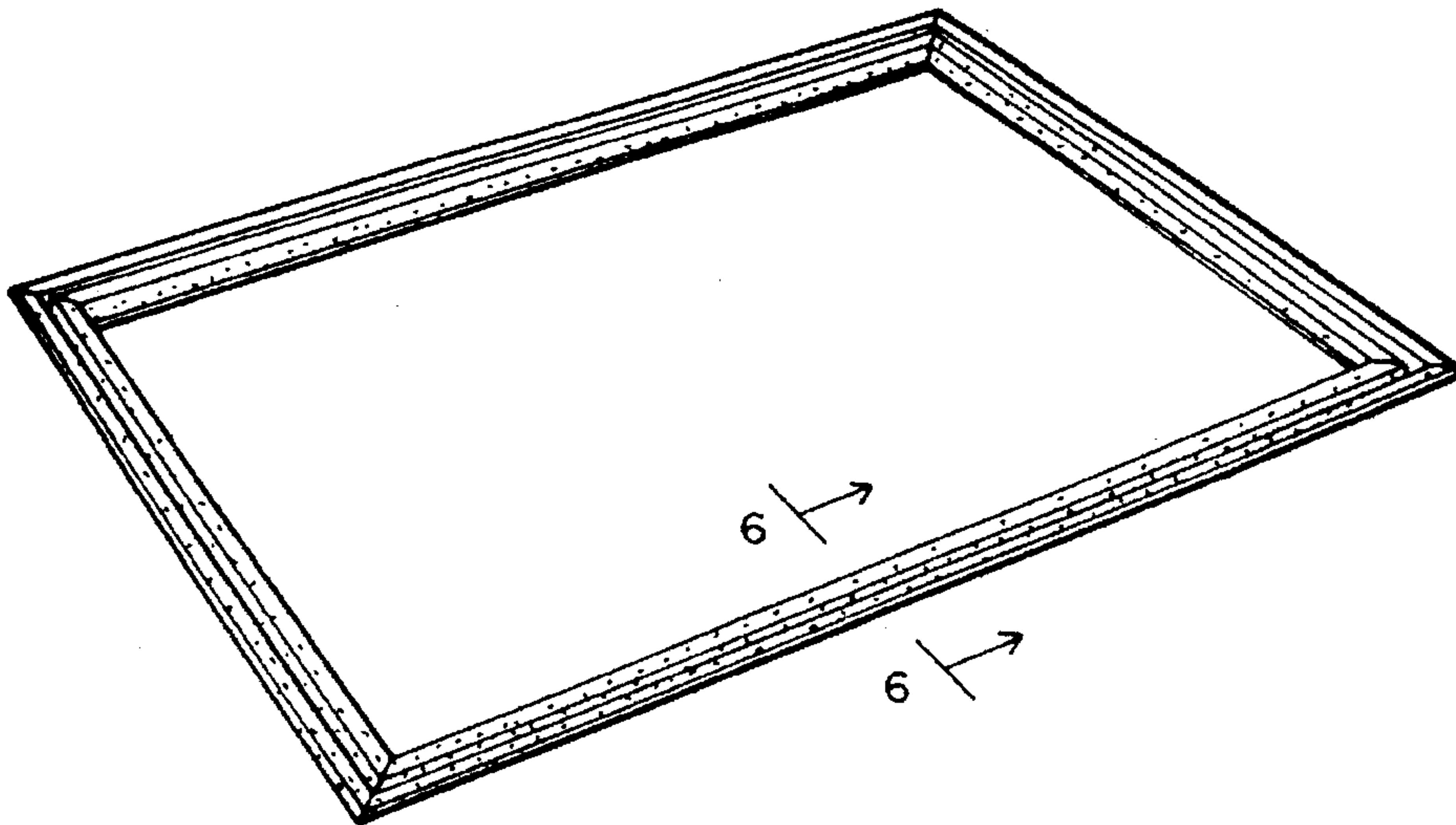


FIG. 2

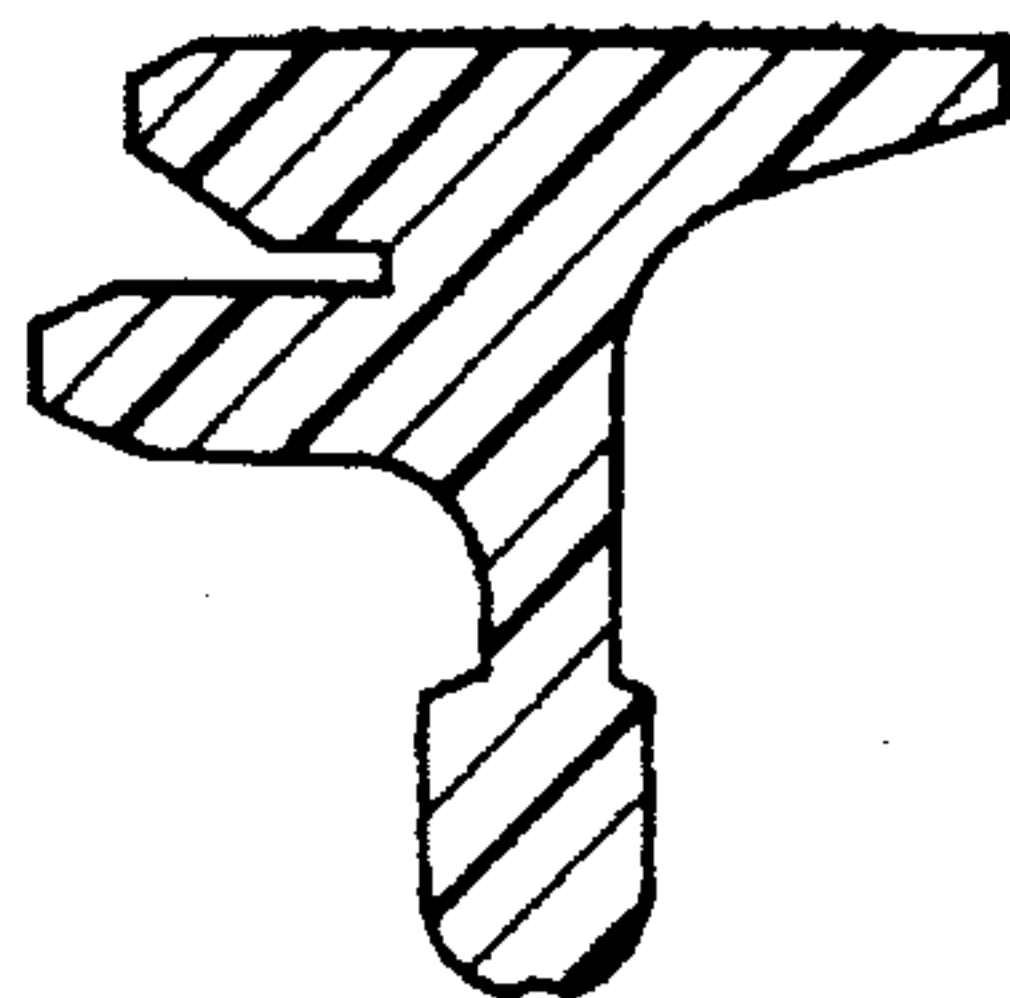


FIG. 3

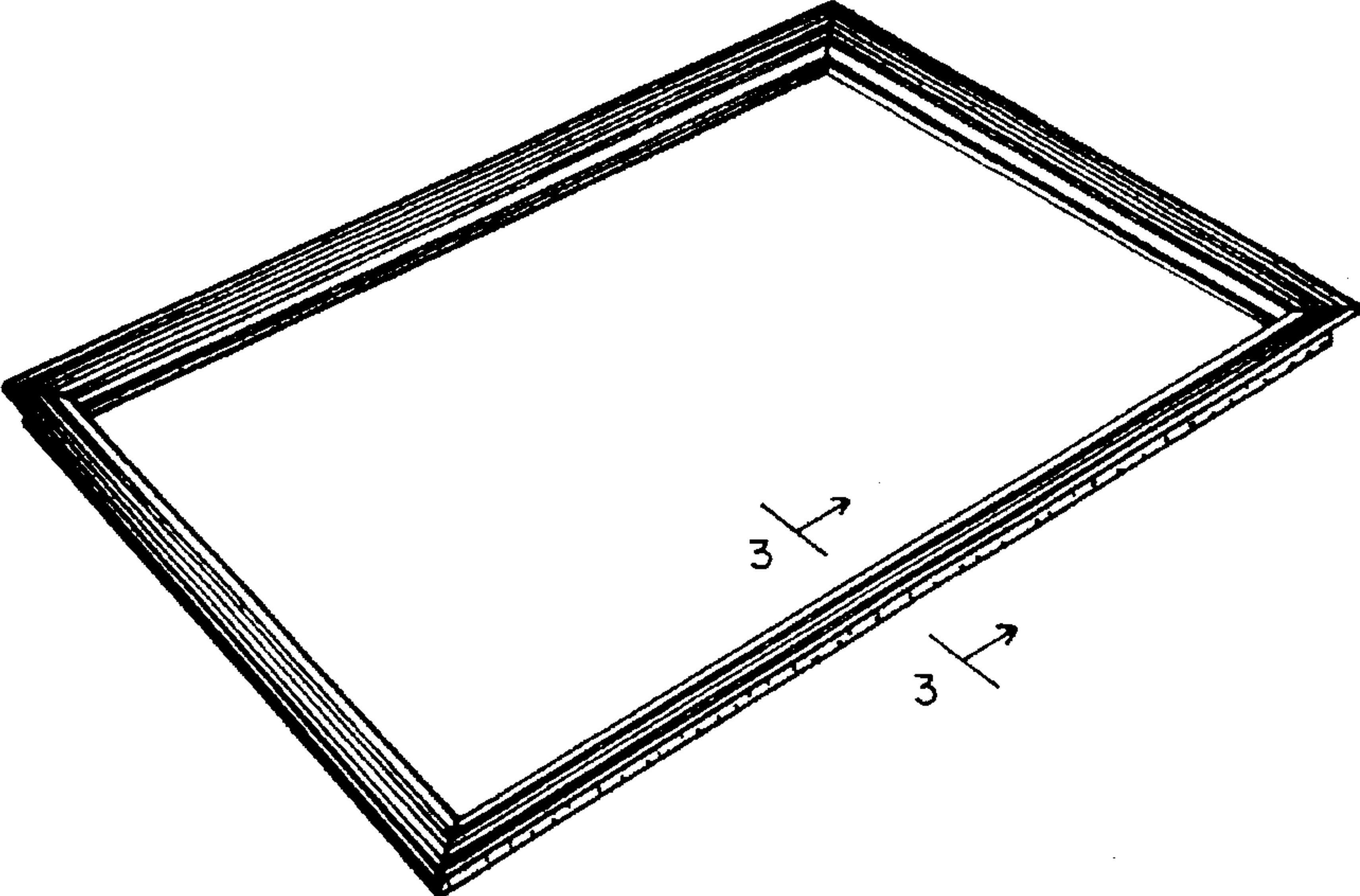


FIG. 4

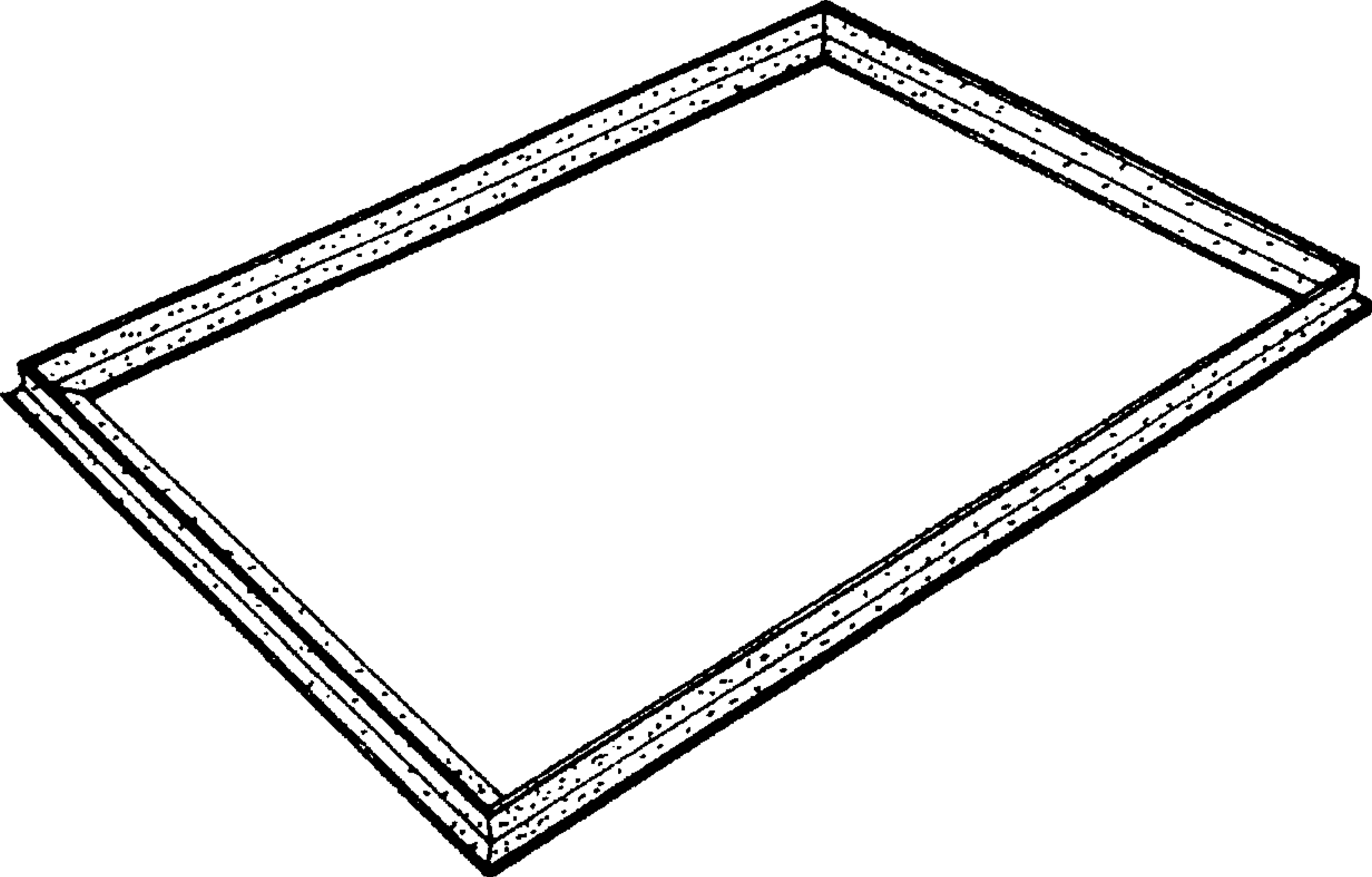


FIG. 5

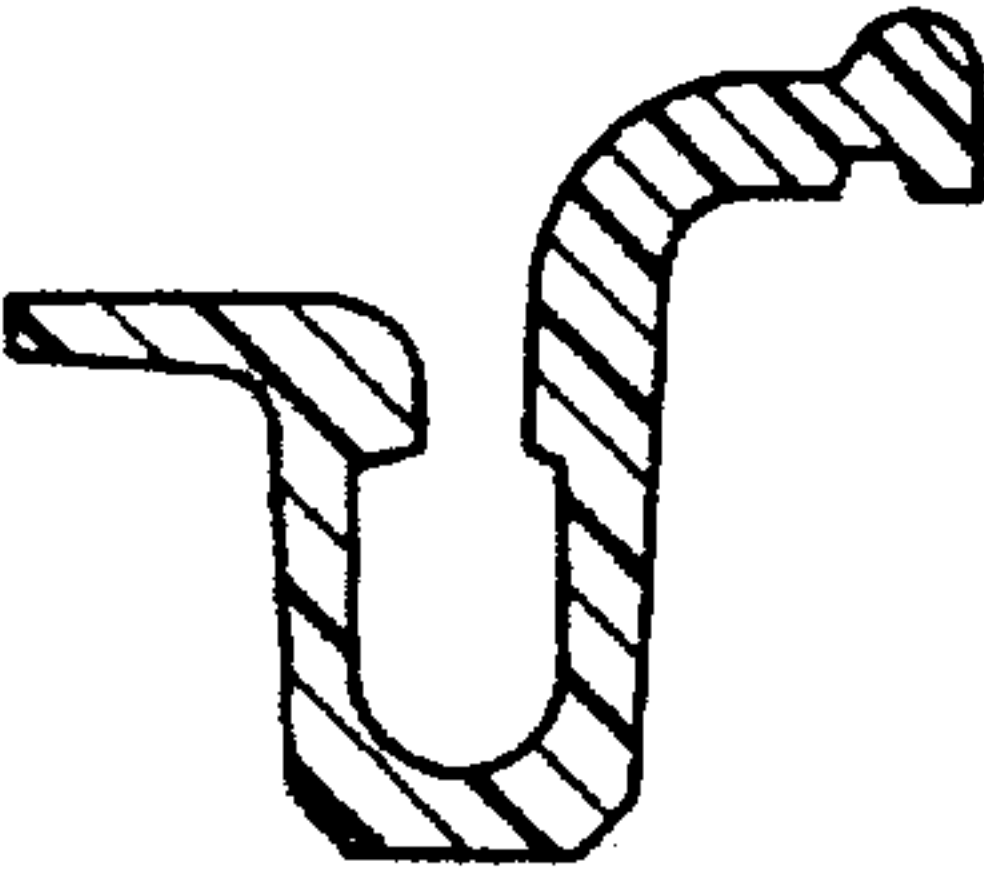


FIG. 6



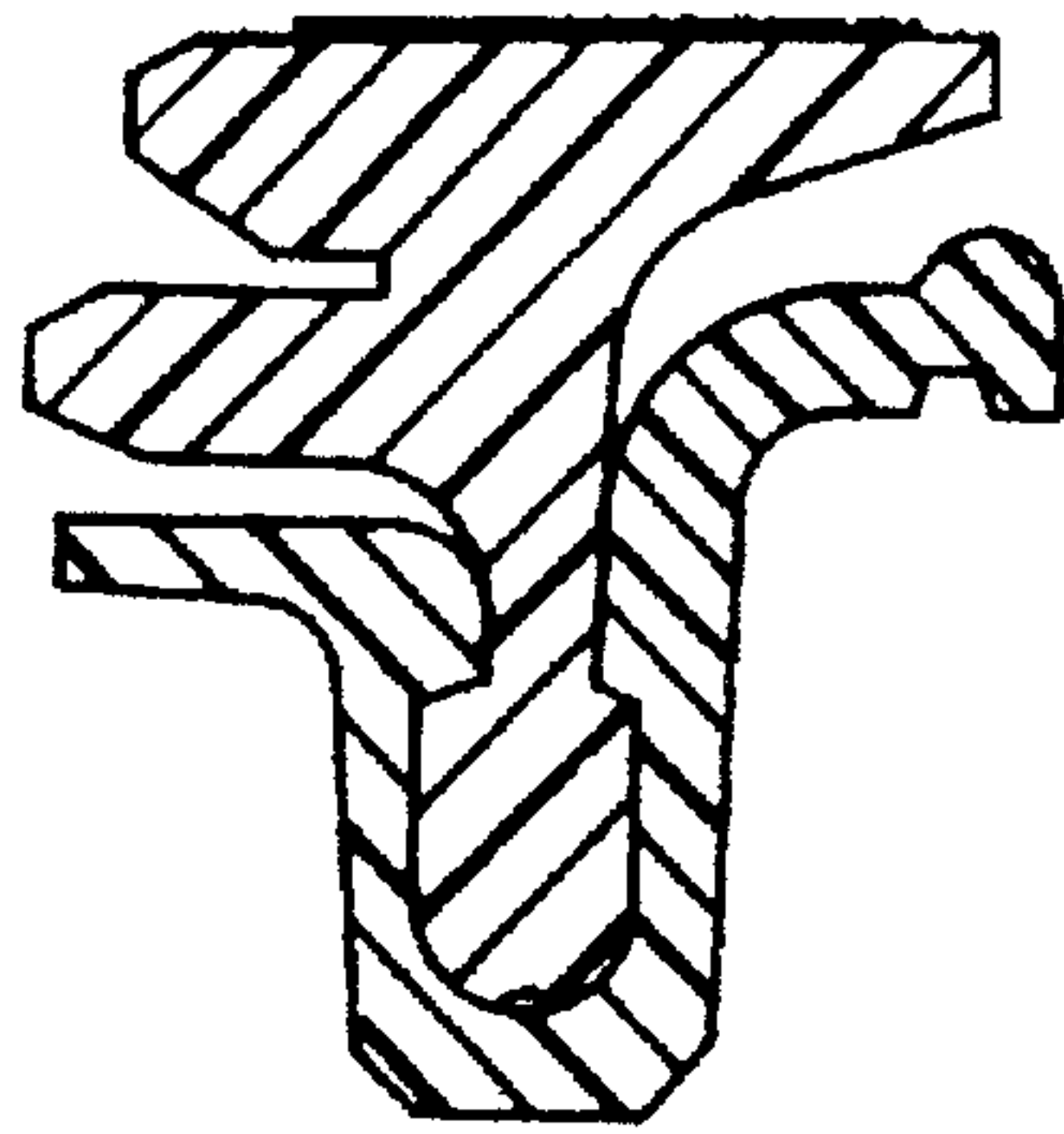


FIG. 7

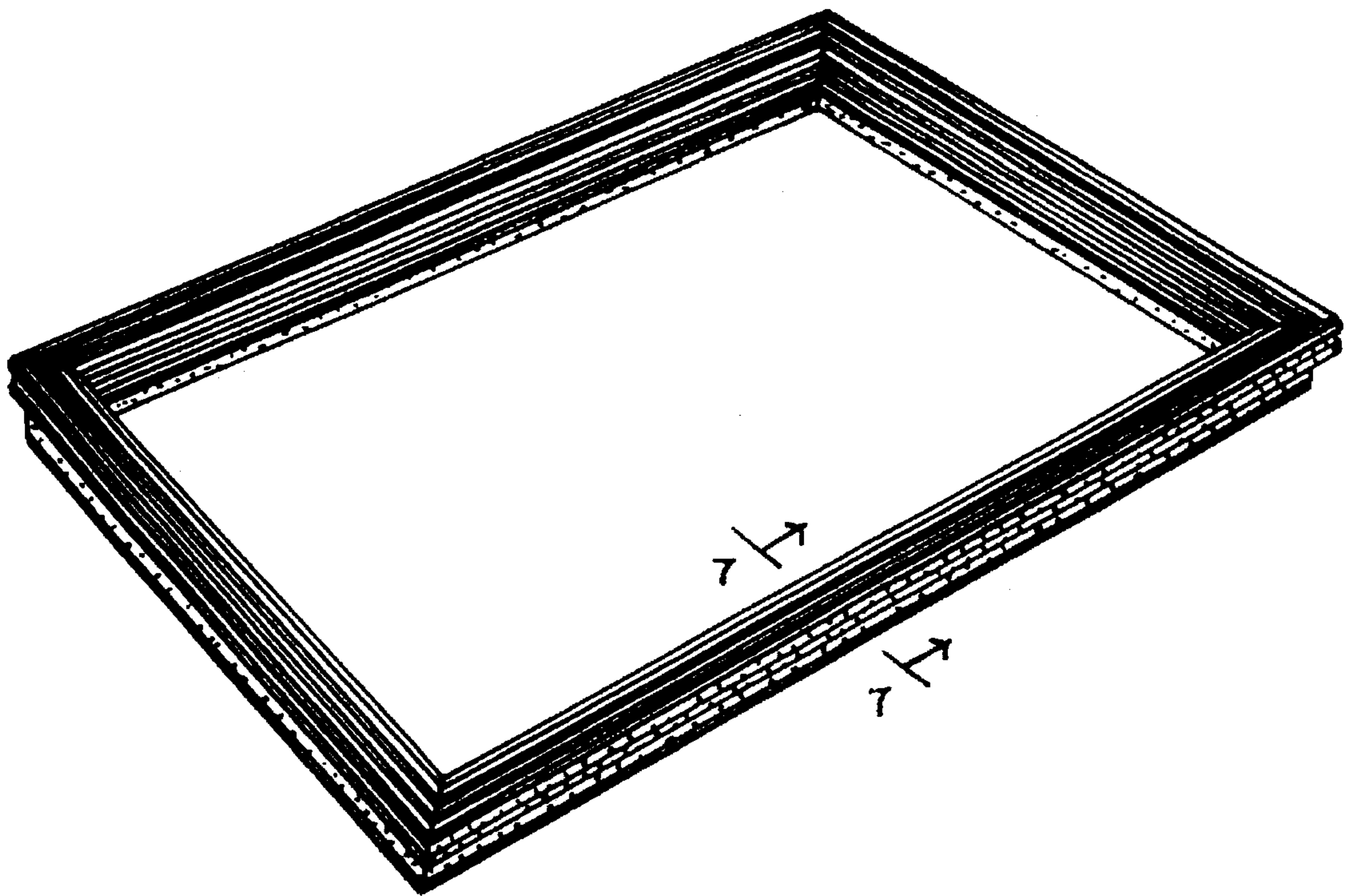


FIG. 8