



US00D383215S

United States Patent [19]
Levy

[11] **Patent Number: Des. 383,215**
[45] **Date of Patent: **Sep. 2, 1997**

[54] **WINDOWED HOLDER FOR MEDICAL SPECIMEN SLIDES**

[76] **Inventor: Abner Levy, 325 N. Oakhurst Dr., P4, Beverly Hills, Calif. 90210**

[**] **Term: 14 Years**

[21] **Appl. No.: 33,766**

[22] **Filed: Jan. 19, 1995**

[51] **LOC (6) Cl. 24-02**

[52] **U.S. Cl. D24/225; D19/26**

[58] **Field of Search D24/225; D19/26, D19/33, 27, 20; 206/456, 450, 312; 422/58, 61; 40/159, 159.2, 361, 362, 364; D3/247**

[56] **References Cited**

U.S. PATENT DOCUMENTS

2,291,173	7/1942	Simpson	40/159.2
2,879,615	3/1959	Kwolek	40/159.2
3,990,850	11/1976	Friedman et al.	D24/225 X
4,077,515	3/1978	Shoberg	206/456
4,078,656	3/1978	Crane et al.	206/456 X
4,112,165	9/1978	Russell	40/159.2 X
4,225,557	9/1980	Hartl et al.	422/56
4,486,536	12/1984	Baker et al.	422/58 X
4,640,413	2/1987	Kaplan et al.	206/312 X
4,789,629	12/1988	Baker et al.	422/58 X
4,819,804	4/1989	Levy	206/456
5,349,709	9/1994	Okola	40/159 X
5,411,893	5/1995	Eden et al.	422/56 X
5,441,698	8/1995	Norell	422/61 X

OTHER PUBLICATIONS

The VWR Scientific Catalog "Micro Slide Mailer Two Slides" item 48428-007 p. 986 ©1989.

Primary Examiner—Louis S. Zarfes
Assistant Examiner—I. Simmons
Attorney, Agent, or Firm—Beehler & Pavitt

[57] **CLAIM**

The ornamental design for windowed holder for medical specimen slides, as shown and described.

DESCRIPTION

FIG. 1 is a top side perspective view of a windowed holder for medical specimen slides showing my new design; FIG. 2 is a right hand side view thereof, the view from the opposite left side being identical; FIG. 3 is an end view thereof, the opposite ends being a mirror image of each other; FIG. 4 is a bottom plan view thereof; FIG. 5 is a top side perspective view of a windowed dual-slide holder, showing my new design; FIG. 6 is a side view thereof, the view from the opposite side being identical; FIG. 7 is a top side perspective view of a second embodiment of a windowed holder for medical specimen slides, showing my new design; and, FIG. 8 is a bottom plan view thereof.

1 Claim, 2 Drawing Sheets

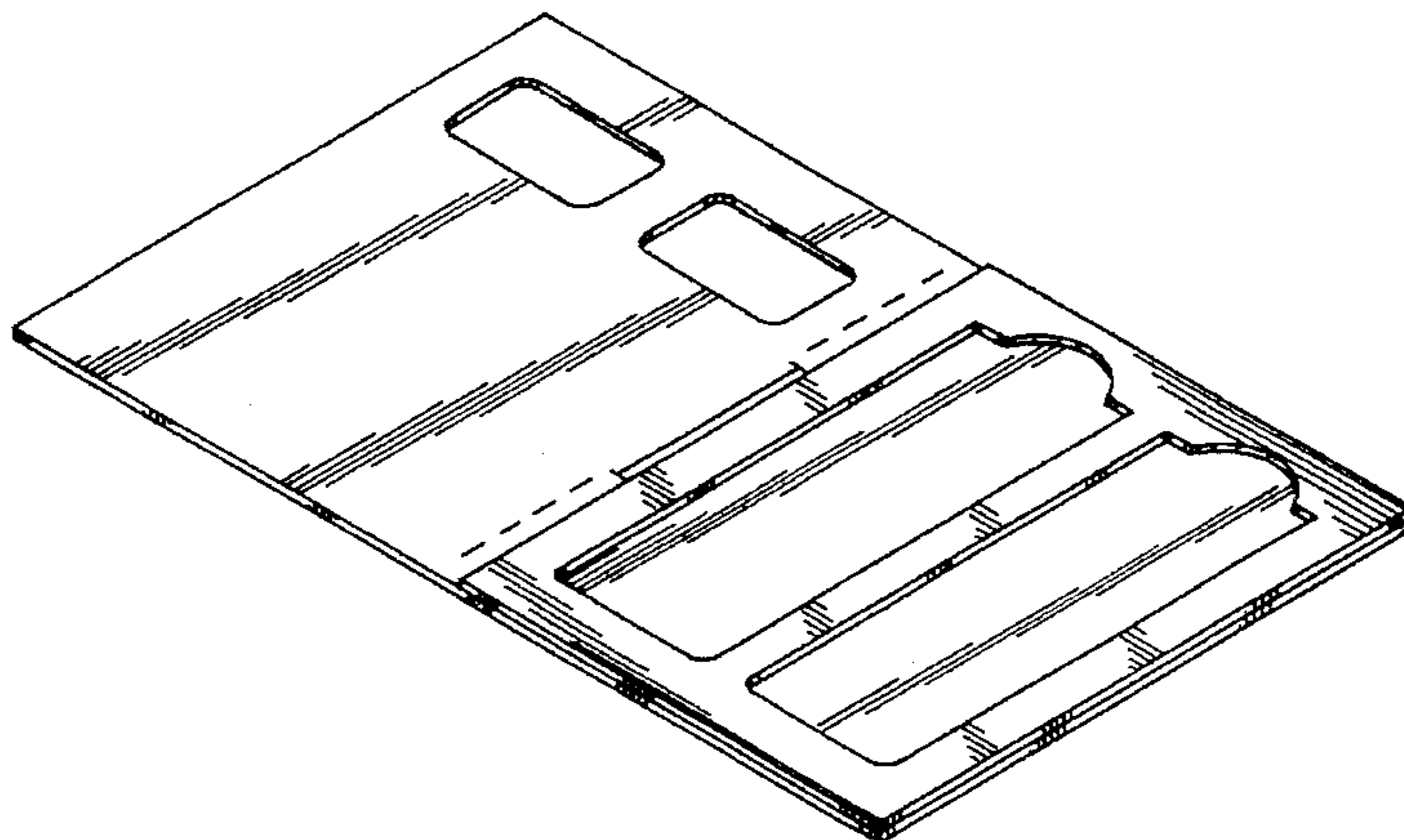
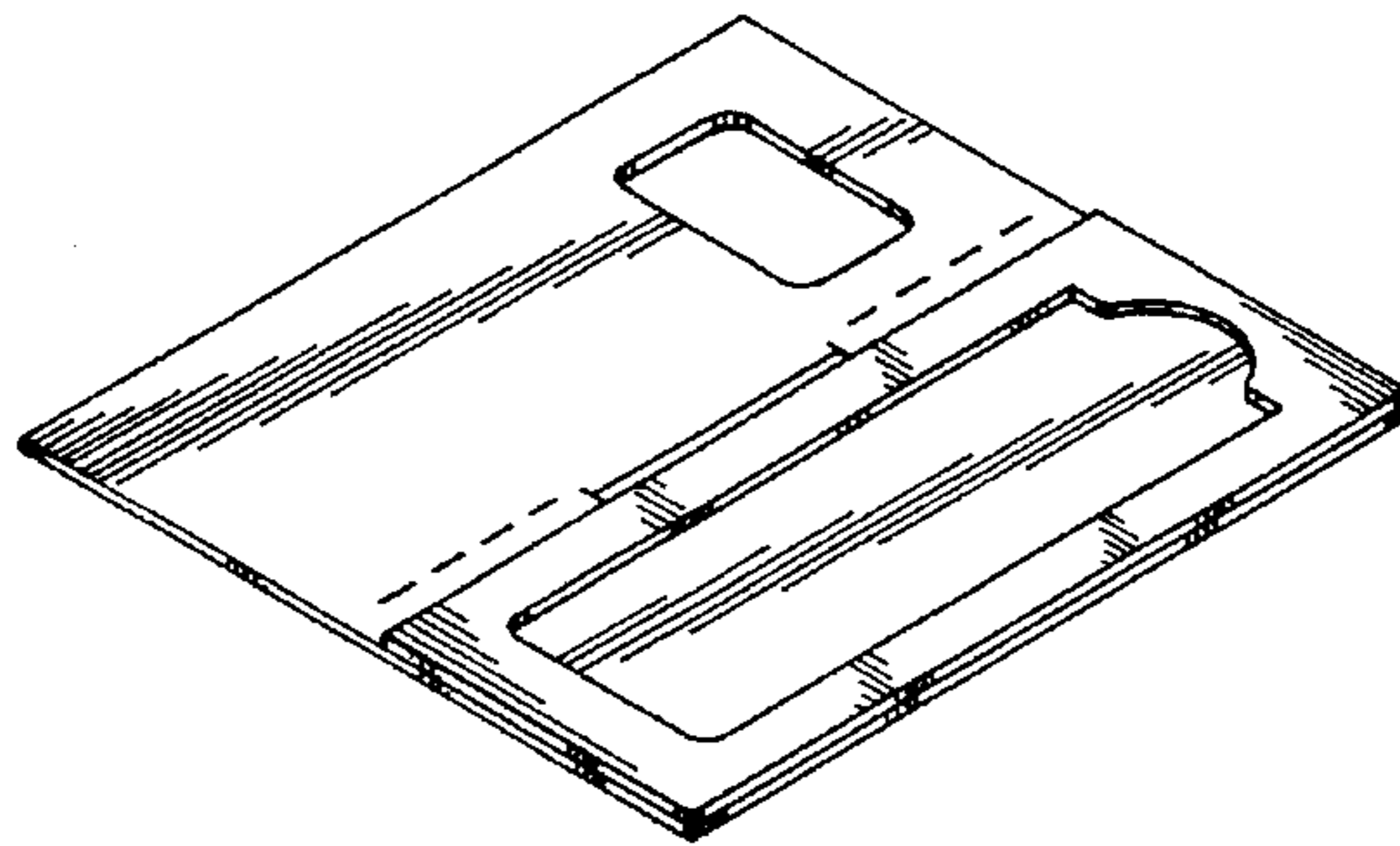


FIG. 1

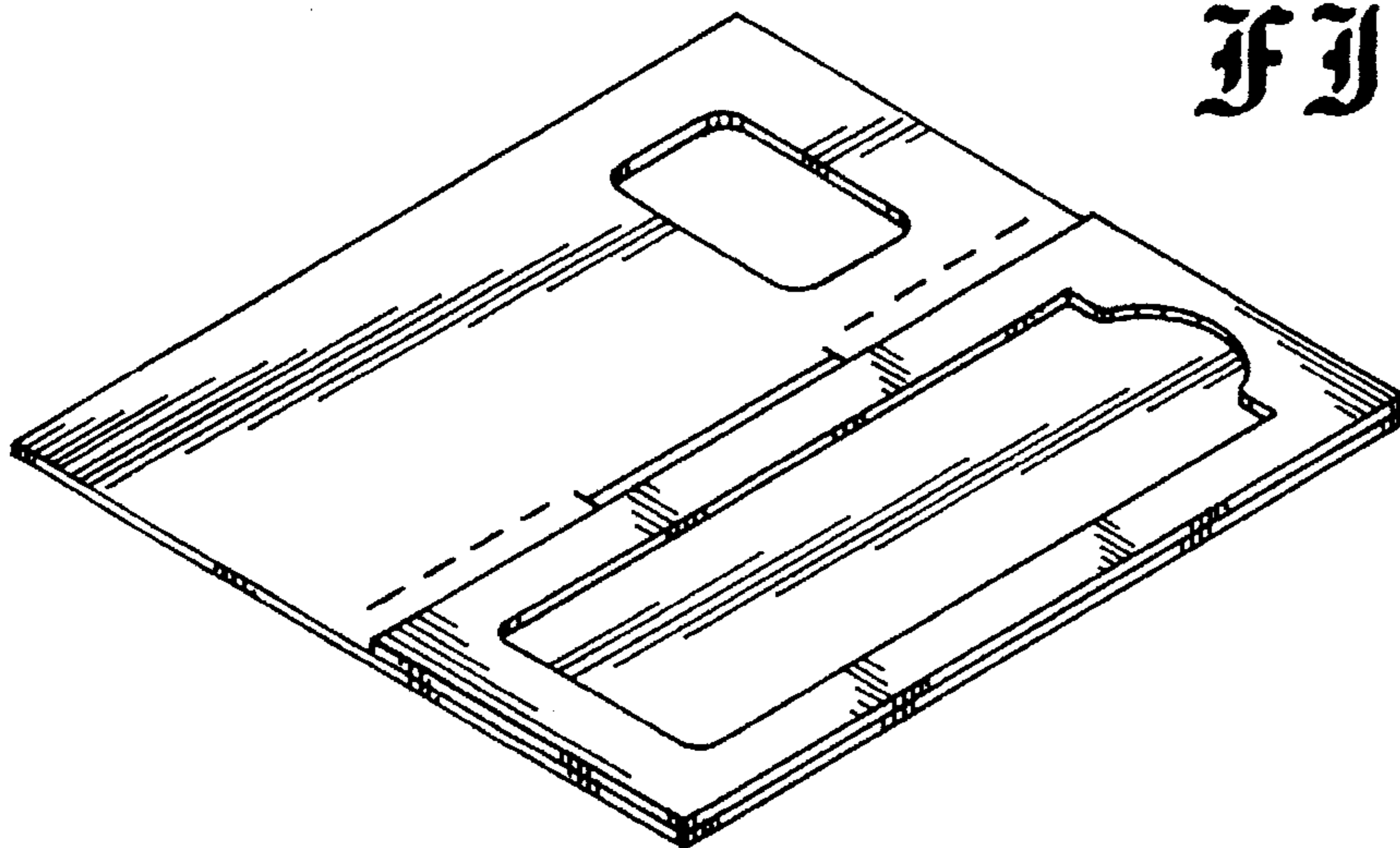


FIG. 2

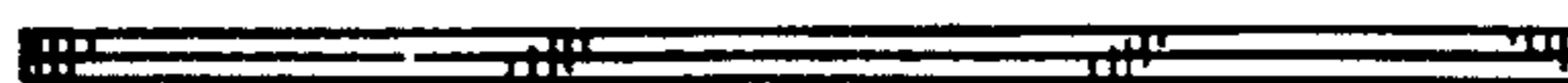
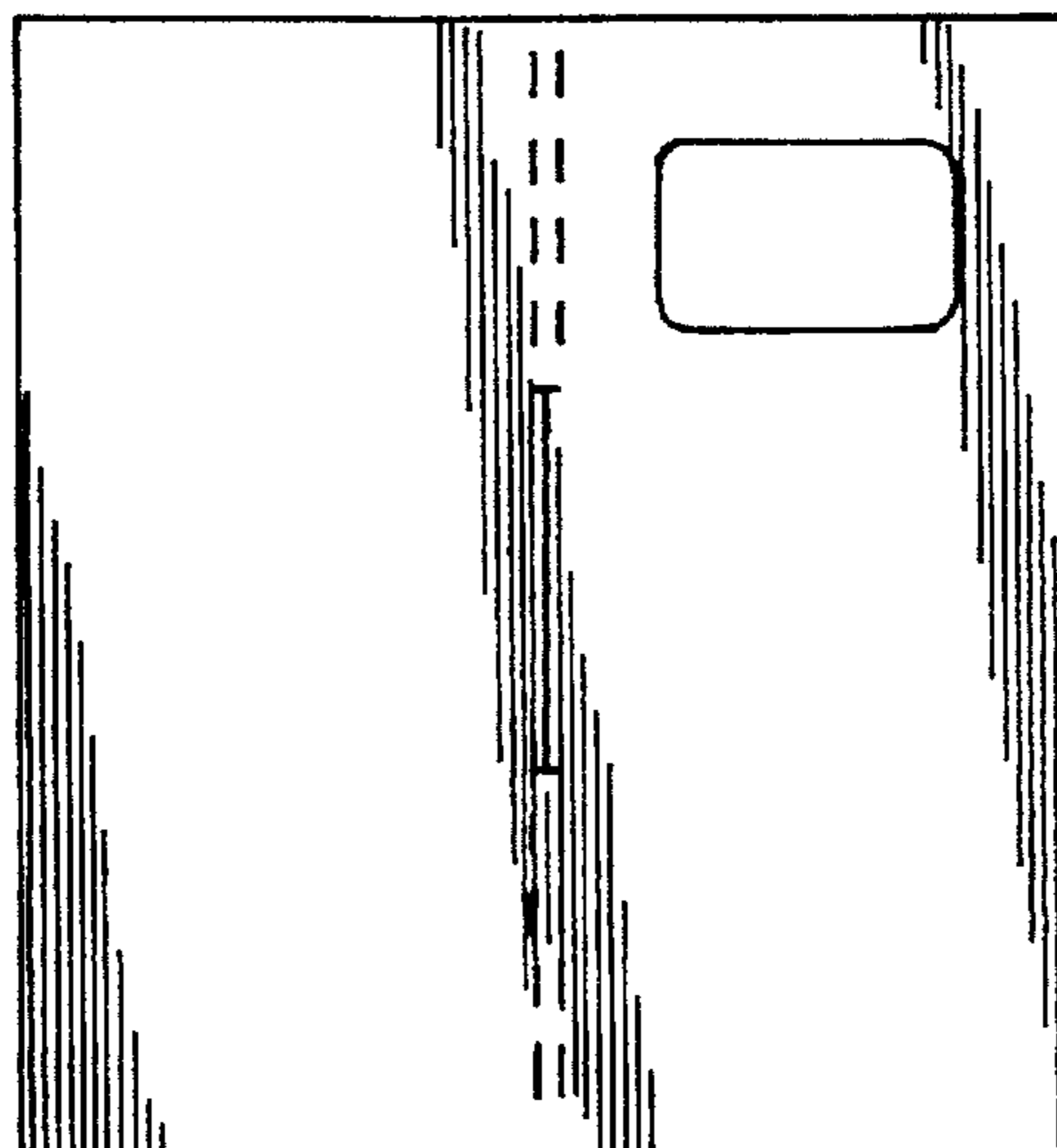


FIG. 3



FIG. 4



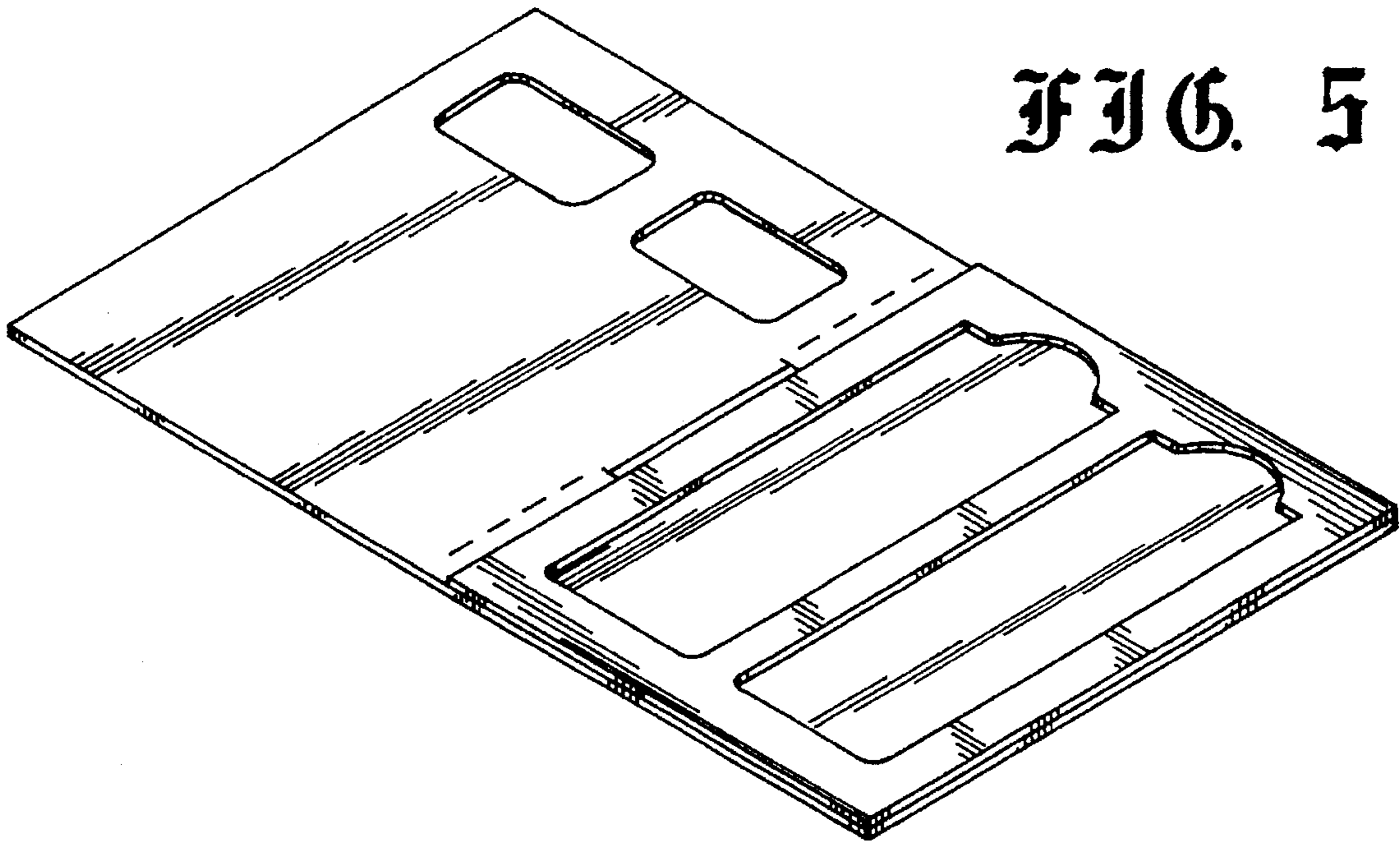


FIG. 5

FIG. 6



FIG. 7

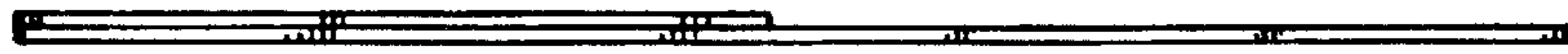


FIG. 8

