



US00D383214S

United States Patent [19]
Brennan

[11] **Patent Number:** **Des. 383,214**
[45] **Date of Patent:** ****Sep. 2, 1997**

[54] **COMBINED CAP AND VIAL**
[76] **Inventor:** **V. Jack Brennan**, 2850 Lombardy Rd.,
San Marino, Calif. 91108
[**] **Term:** **14 Years**
[21] **Appl. No.:** **11,958**
[22] **Filed:** **Aug. 18, 1993**
[51] **LOC (6) Cl.** **24-02**
[52] **U.S. Cl.** **D24/224**
[58] **Field of Search** D24/224, 121;
D9/308, 349, 351, 352; 215/1 R, 1 C, 247,
249, DIG. 3; 206/220, 219

4,103,797 8/1978 Morris .
4,526,281 7/1985 Herr .
4,579,238 4/1986 Herr .

OTHER PUBLICATIONS

Sarstedt Catalog "Vials" pp. 63, 85 @1991 Ex Room.

Primary Examiner—Louis S. Zarfes
Assistant Examiner—I. Simmons
Attorney, Agent, or Firm—Fitch, Even, Tabin & Flannery

[57] **CLAIM**

The ornamental design for a combined cap and vial, as shown and described.

DESCRIPTION

FIG. 1 is a perspective view of a combined cap and vial showing my new design;
FIG. 2 is a side elevation of a combined cap and vial of FIG. 1;
FIG. 3 is a plan view of a combined cap and vial of FIG. 1; and,
FIG. 4 is a bottom view of a combined cap and vial of FIG. 1.

[56] **References Cited**

U.S. PATENT DOCUMENTS

Re. 29,779	9/1978	Morris .	
D. 288,130	2/1987	Larken et al.	D24/224
D. 288,964	3/1987	Larken et al.	D24/224
D. 292,528	10/1987	Weissenburger	D24/224
D. 298,012	10/1988	Larken et al.	D24/224
3,973,690	8/1976	Schneider .	
4,036,385	7/1977	Morris .	

1 Claim, 1 Drawing Sheet

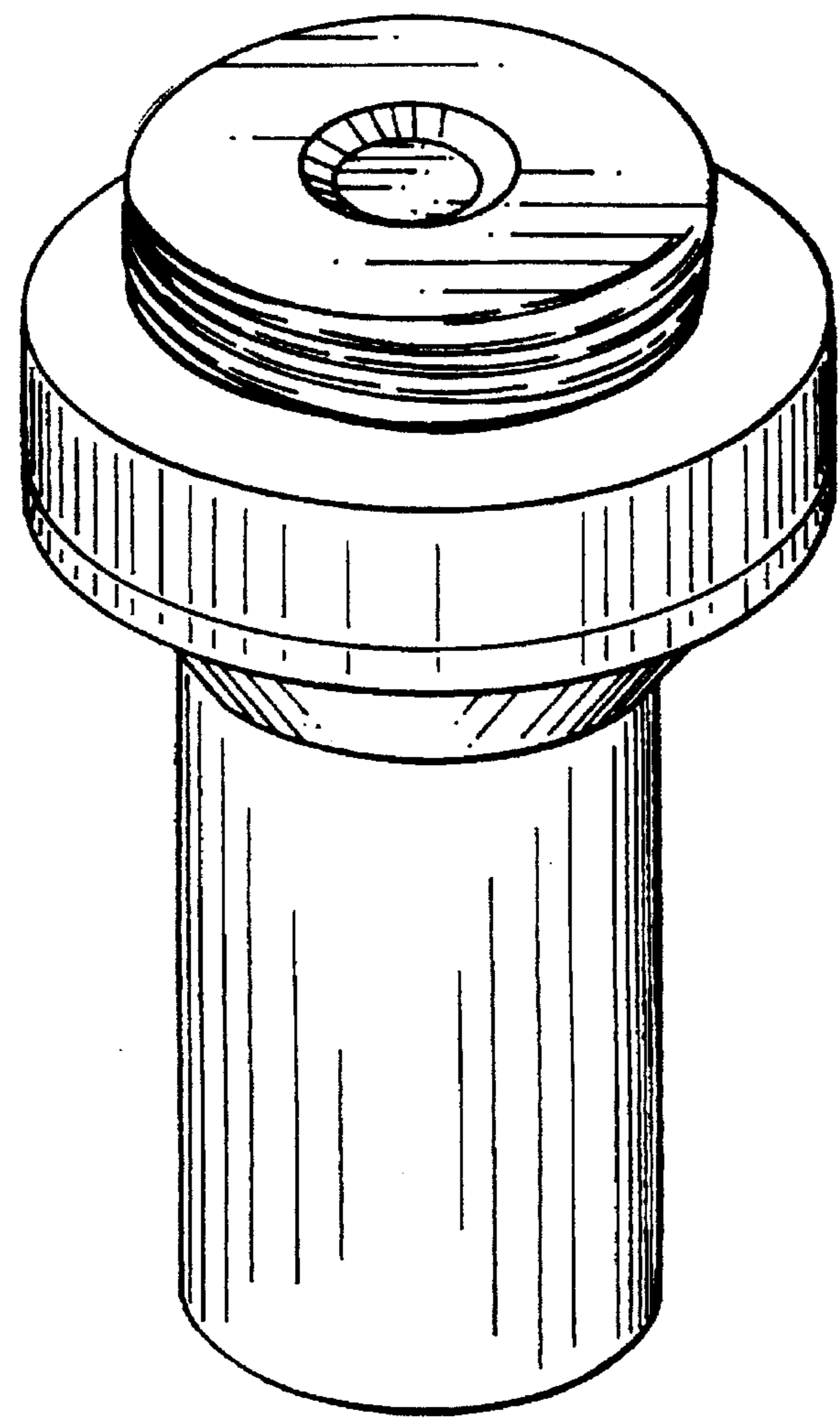


FIG. 1

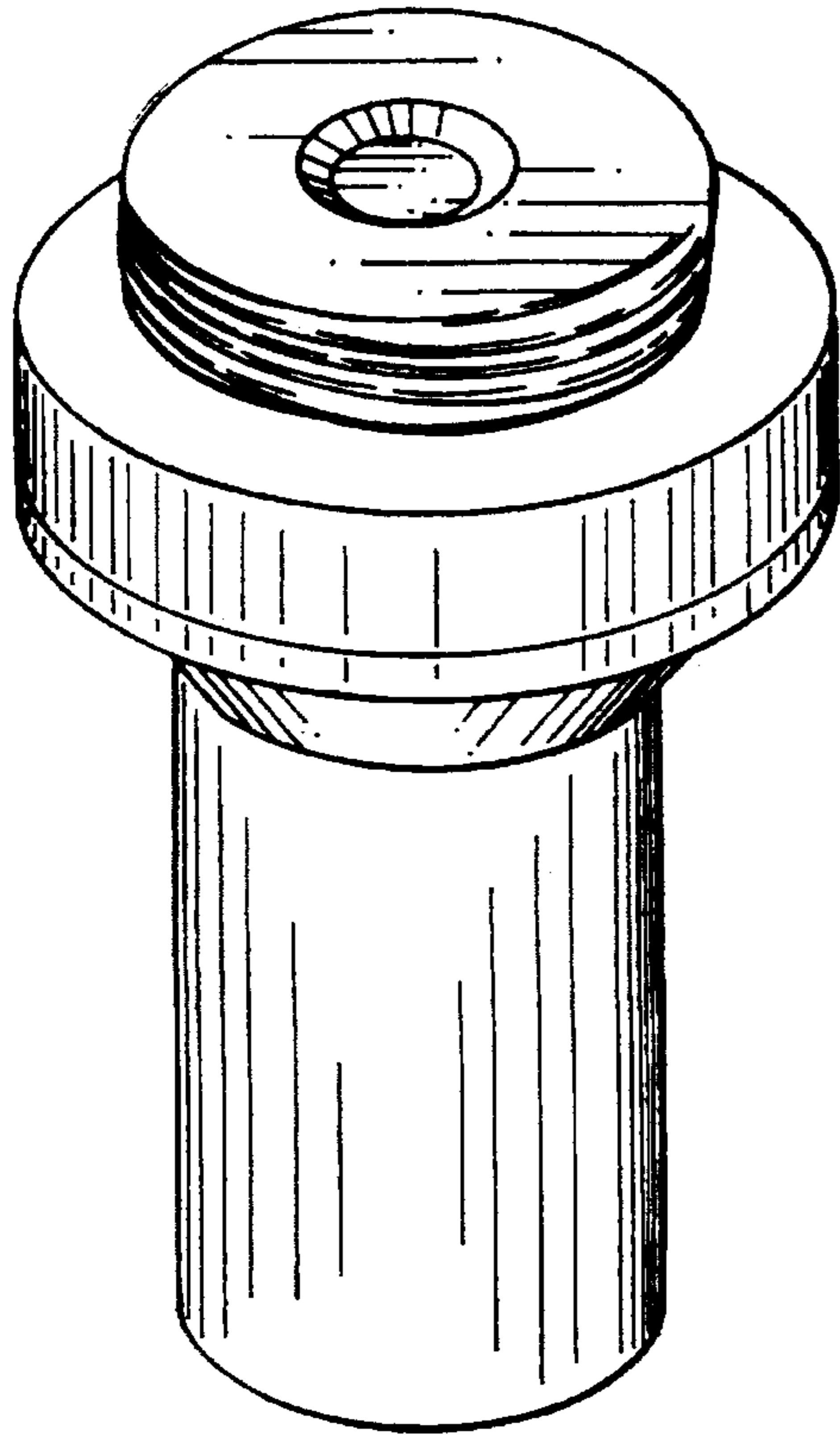


FIG. 2

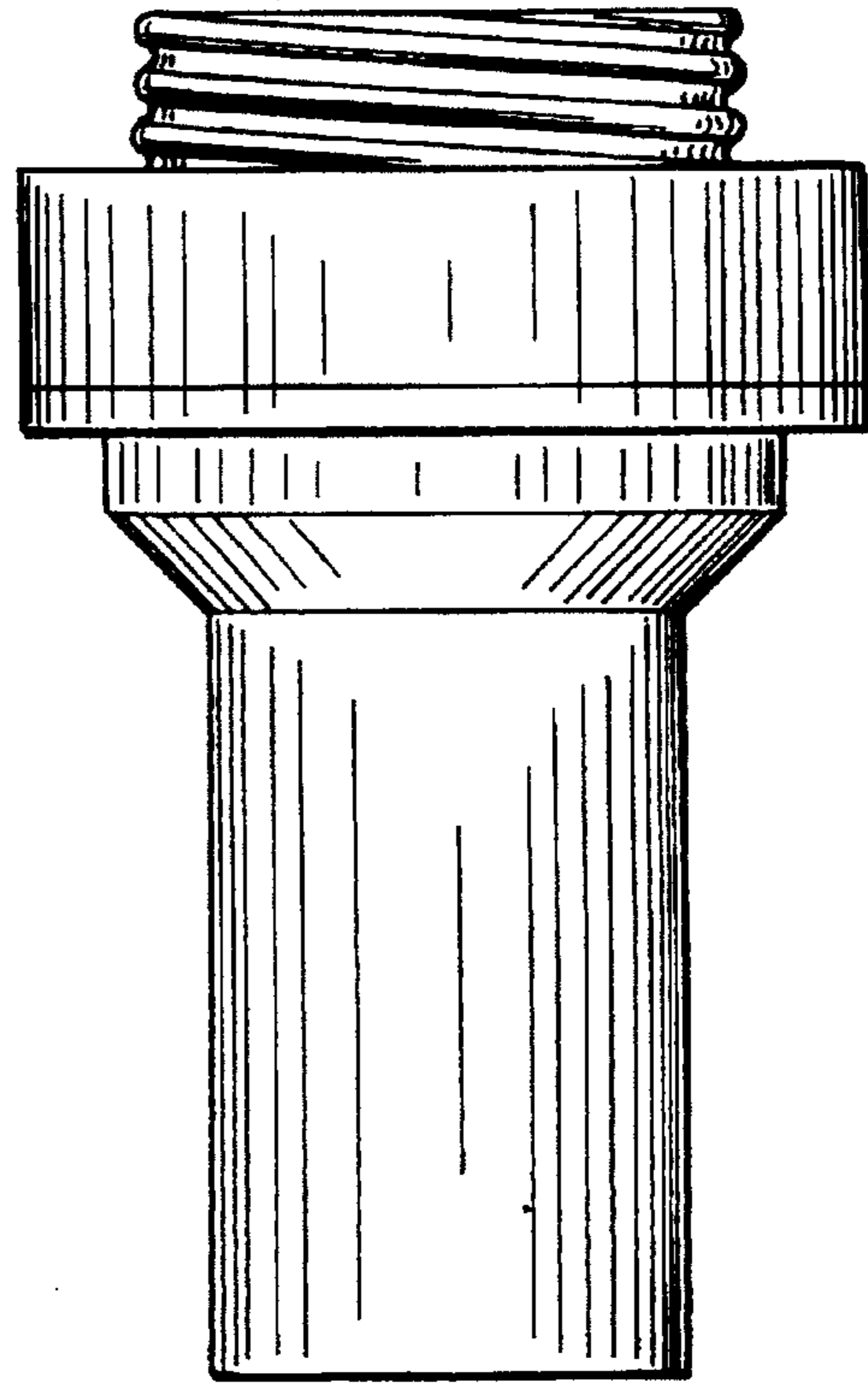


FIG. 3

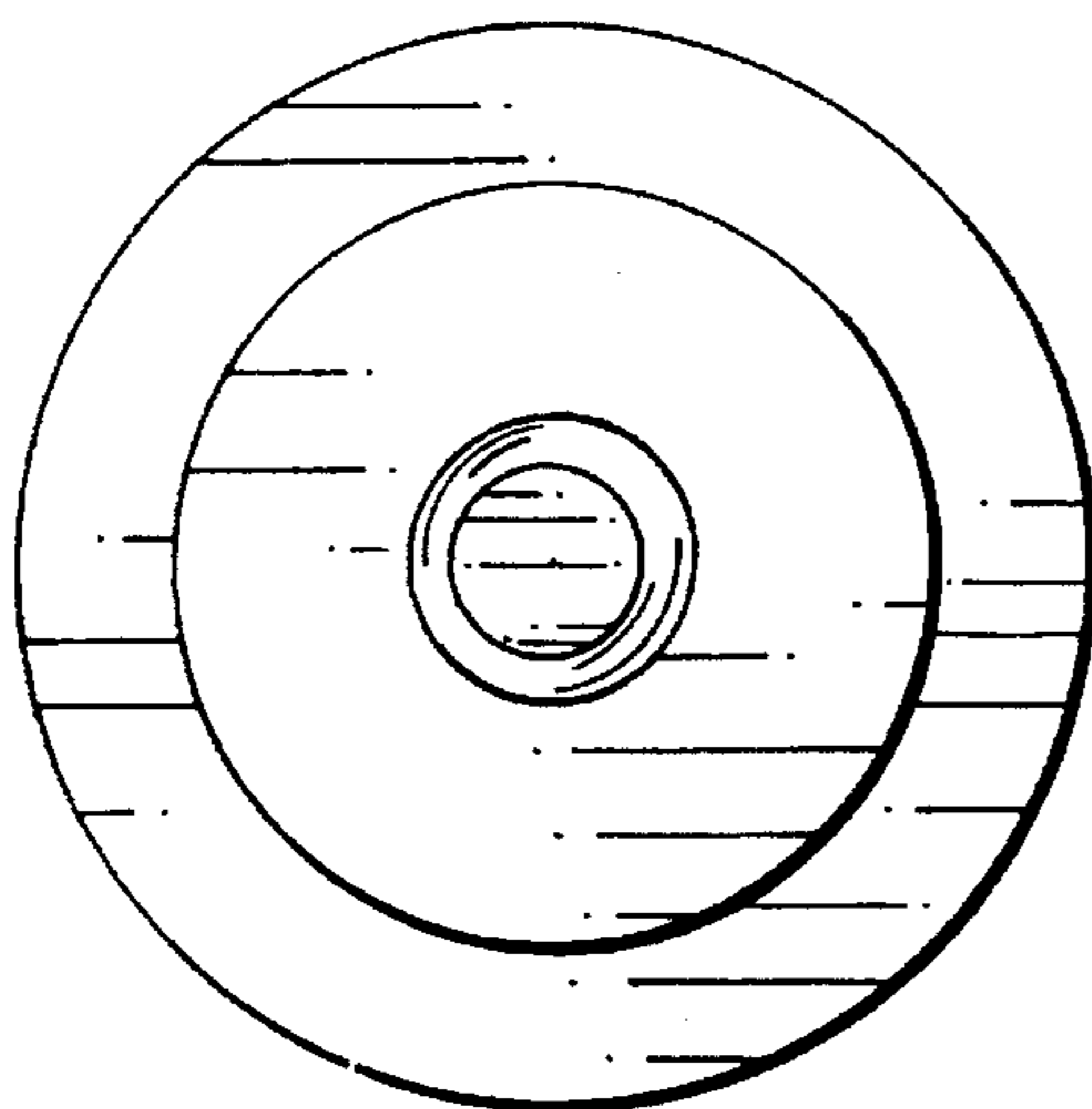


FIG. 4

