



US00D383210S

United States Patent [19]

[11] Patent Number: **Des. 383,210**

Child et al.

[45] Date of Patent: ****Sep. 2, 1997**

[54] **ENDOSCOPY WORKSTATION**

D. 303,191	9/1989	Schwartz	D24/185
4,607,897	8/1986	Schwartz	312/209
5,184,601	2/1993	Putman	312/209 X
5,518,310	5/1996	Ellman et al.	312/249.12

[75] Inventors: **John David Miles Child**, Brighthouse;
Nigel Charles Smith, Woodford Green;
John Norris Mitchell, Goffs Oak, all of
United Kingdom

Primary Examiner—Stella Reid
Attorney, Agent, or Firm—Kenyon & Kenyon

[73] Assignee: **KeyMed (Medical & Industrial
Equipment) Ltd.**, United Kingdom

[57] **CLAIM**

[**] Term: **14 Years**

The ornamental design for an endoscopy workstation, as
shown and described.

[21] Appl. No.: **42,030**

DESCRIPTION

[22] Filed: **Jul. 31, 1995**

[30] **Foreign Application Priority Data**

Feb. 1, 1995 [GB] United Kingdom 2044874

FIG. 1 is a perspective view taken from the front of an
endoscopy workstation showing our new design;

[51] LOC (6) Cl. **24-01**

FIG. 2 is a front elevational view thereof;

[52] U.S. Cl. **D24/185**

FIG. 3 is a rear elevational view thereof;

[58] Field of Search D24/185; 312/209,
312/249.1, 249.2, 249.8

FIG. 4 is a left side elevational view thereof;

FIG. 5 is a right side elevational view thereof;

FIG. 6 is a top plan view thereof; and,

FIG. 7 is a bottom plan view thereof.

[56] **References Cited**

U.S. PATENT DOCUMENTS

D. 298,893 12/1988 Schwartz D24/185

1 Claim, 7 Drawing Sheets

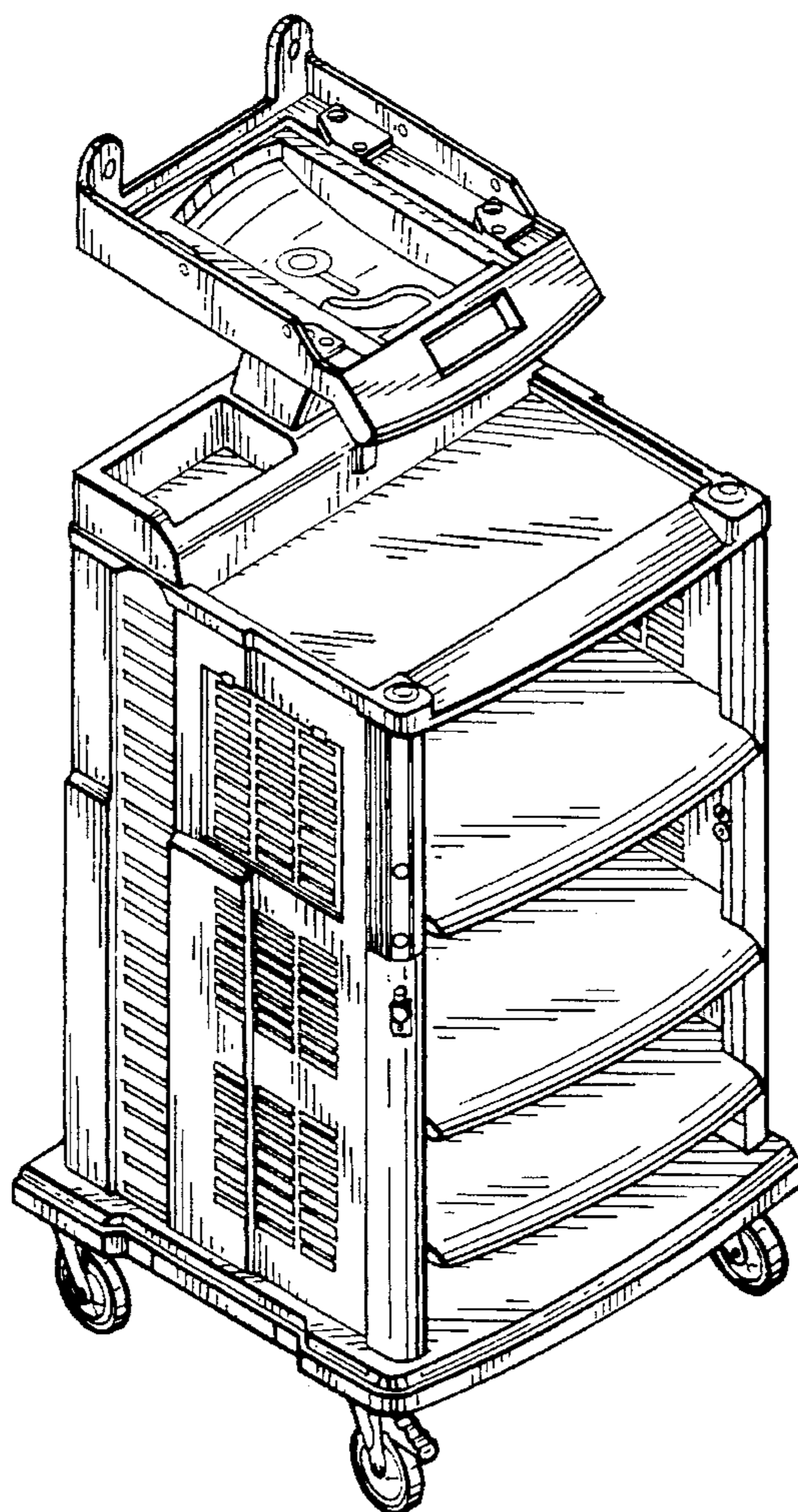
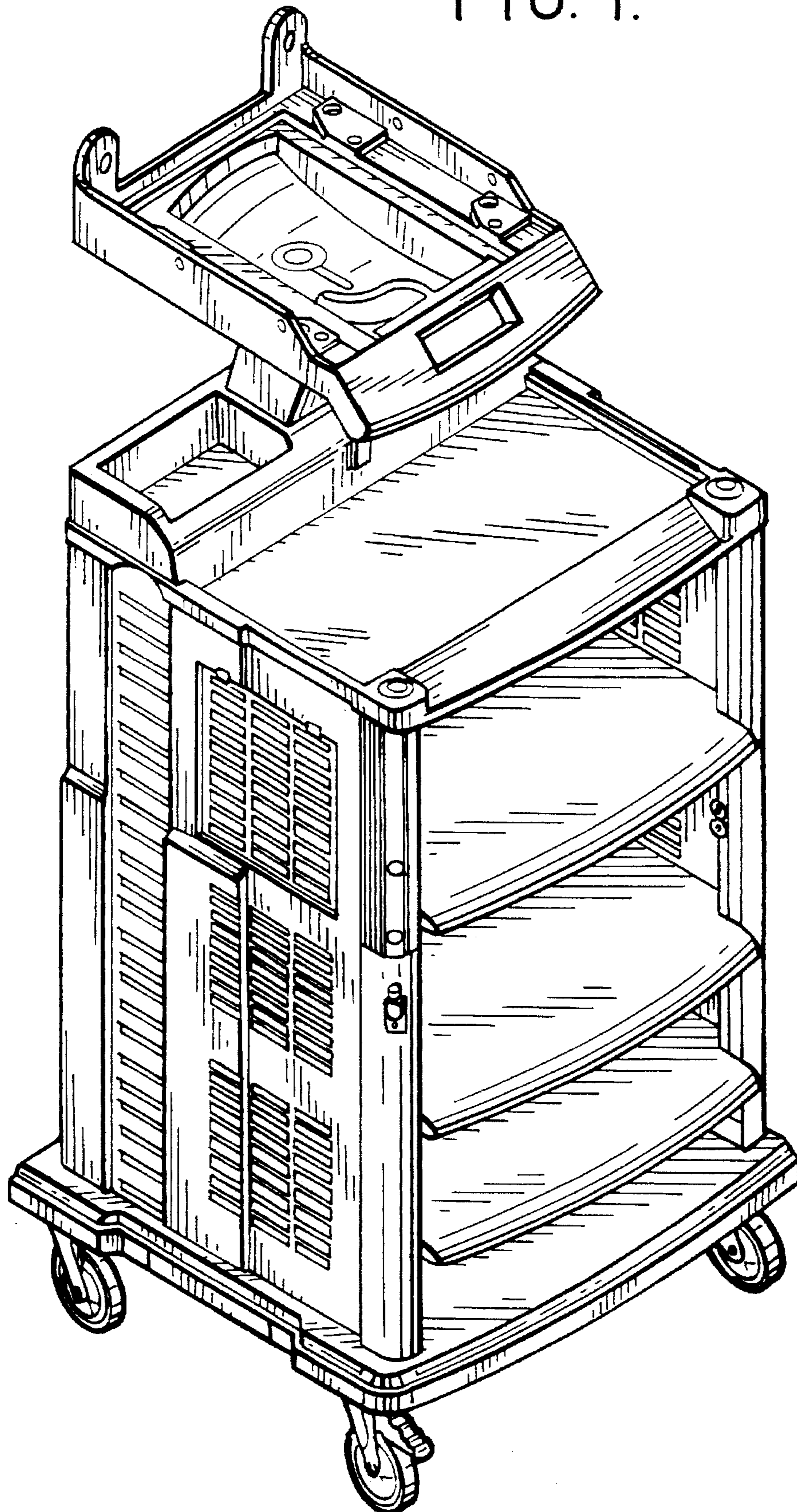


FIG. 1.



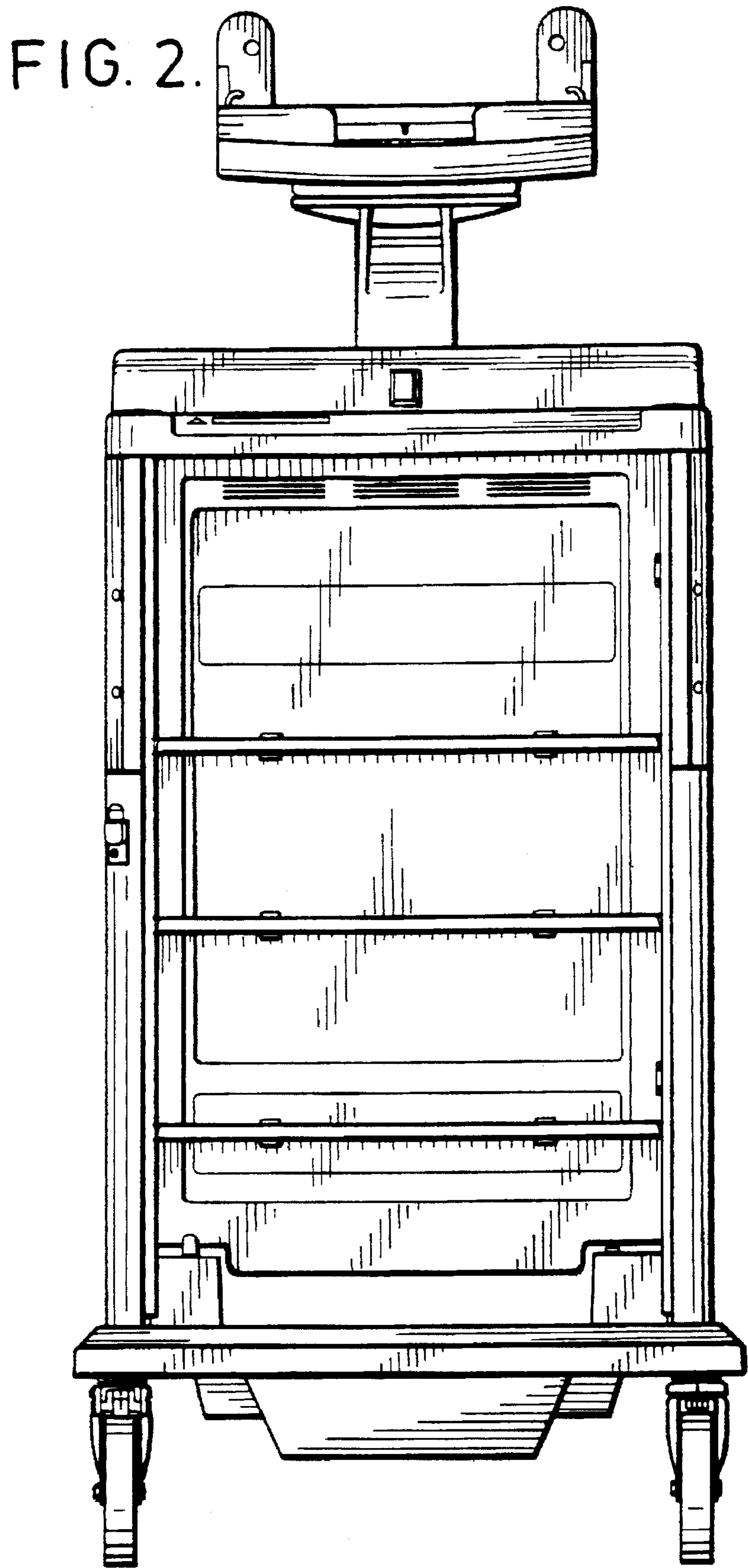


FIG. 3.

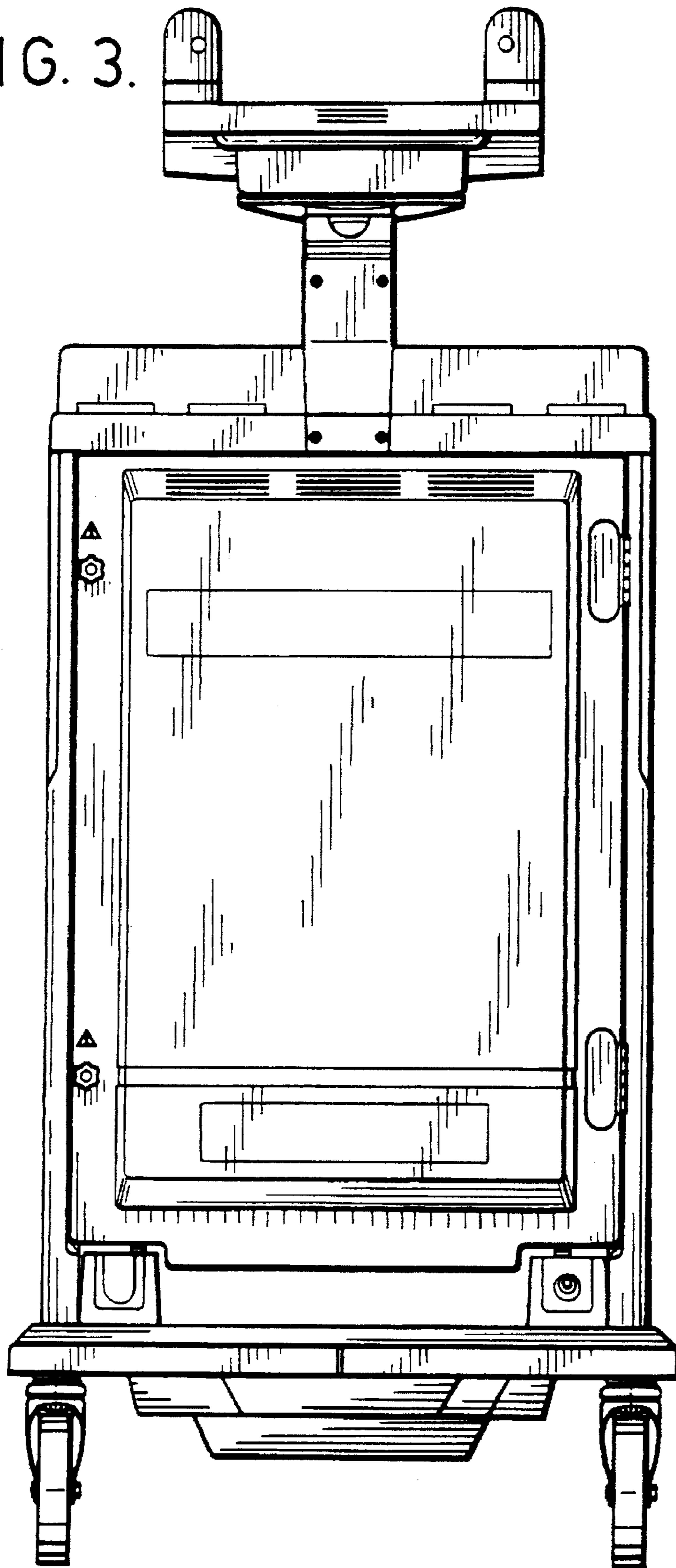


FIG. 4.

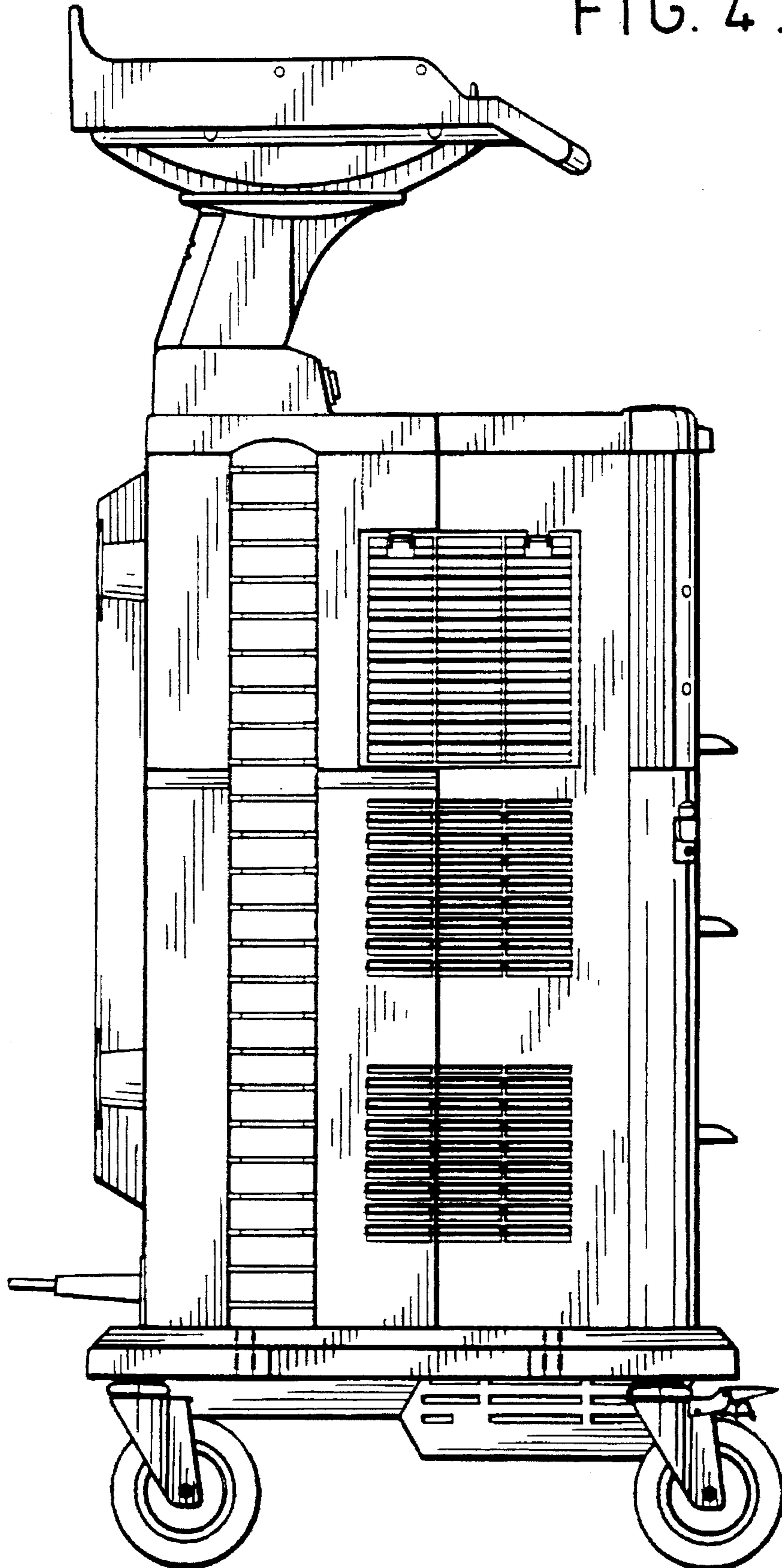


FIG. 5.

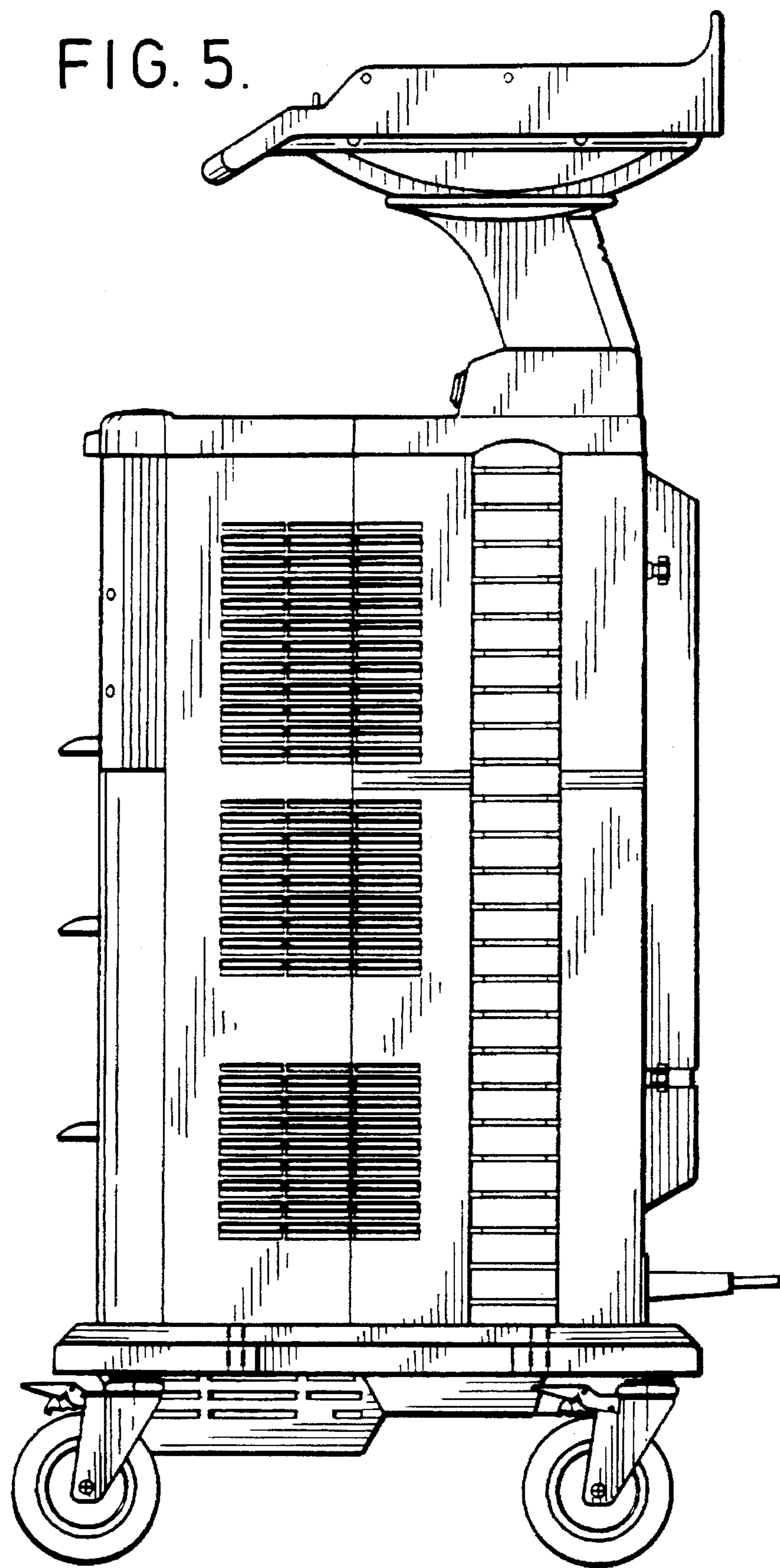


FIG. 6.

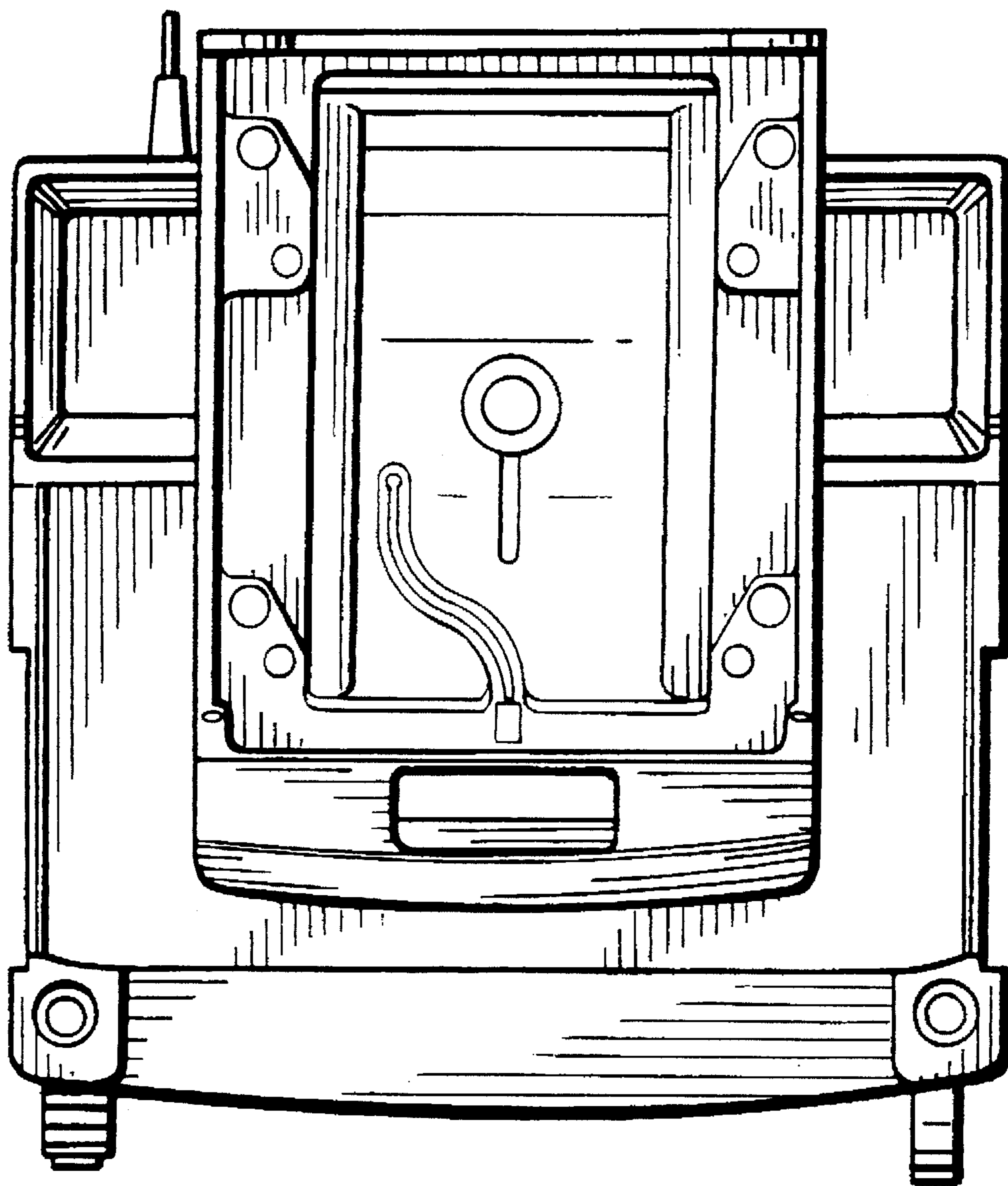


FIG. 7.

