



US00D383205S

United States Patent [19]

[11] Patent Number: **Des. 383,205**

Pagay et al.

[45] Date of Patent: ****Sep. 2, 1997**

[54] **COMBINED SYRINGE AND PLUNGER**

[75] Inventors: **Shrikant N. Pagay**, Guilderland, N.Y.;
Robert J. Bachorik II, Phoenixville,
Pa.; **Richard T. Liebert**, Milton, N.Y.

[73] Assignee: **Sterling Winthrop Inc.**, New York,
N.Y.

[**] Term: **14 Years**

[21] Appl. No.: **22,521**

[22] Filed: **May 6, 1994**

[51] **LOC (6) Cl.** **24-02**

[52] **U.S. Cl.** **D24/112; D24/114**

[58] **Field of Search** **D24/112, 114,**
D24/113; 604/228, 218, 191, 220, 221,
222, 223, 224, 110, 232, 187

[56] **References Cited**

U.S. PATENT DOCUMENTS

Re. 32,974	7/1989	Porat et al. .	
D. 262,739	1/1982	Nitshke	D24/114 X
1,222,424	4/1917	Laurent .	
1,707,880	4/1929	Sheets .	
3,253,592	5/1966	Pechmann	D24/114 X
3,669,111	6/1972	Dubner .	
3,705,582	12/1972	Stumpf et al. .	

3,766,918	10/1973	Kessel .	
3,834,387	9/1974	Brown .	
4,216,771	8/1980	Arlers et al. .	
4,299,238	11/1981	Baidwan et al. .	
4,333,457	6/1982	Margulies .	
4,453,934	6/1984	Gähwiler	604/191
4,985,020	1/1991	Kabuya	D24/130 X
5,115,816	5/1992	Lee	D24/114
5,181,912	1/1993	Hammett	604/228 X
5,423,757	6/1995	Olovson et al.	604/228 X

Primary Examiner—Louis S. Zarfaz
Assistant Examiner—I. Simmons
Attorney, Agent, or Firm—Fish & Richardson PC

[57] **CLAIM**

The ornamental design for a combined syringe and plunger, as shown and described.

DESCRIPTION

FIG. 1 is a perspective view of a combined syringe and plunger showing our new design;
FIG. 2 is a side elevational view thereof, the opposite side elevational view being a mirror image thereof;
FIG. 3 is a front elevational view thereof, the rear elevational view being a mirror image thereof;
FIG. 4 is a top plan view thereof; and,
FIG. 5 is a bottom plan view thereof.

1 Claim, 1 Drawing Sheet

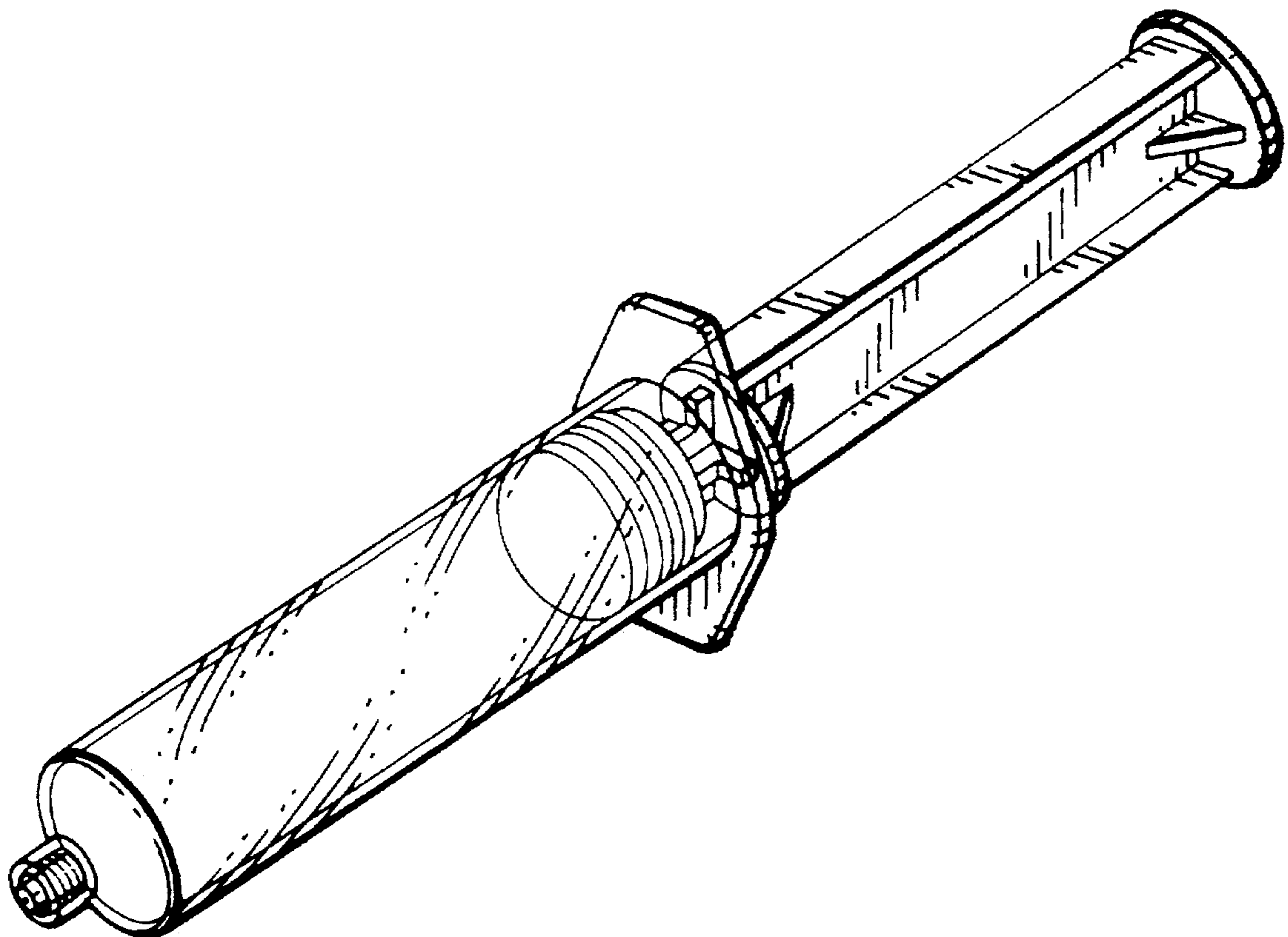


FIG. 1.

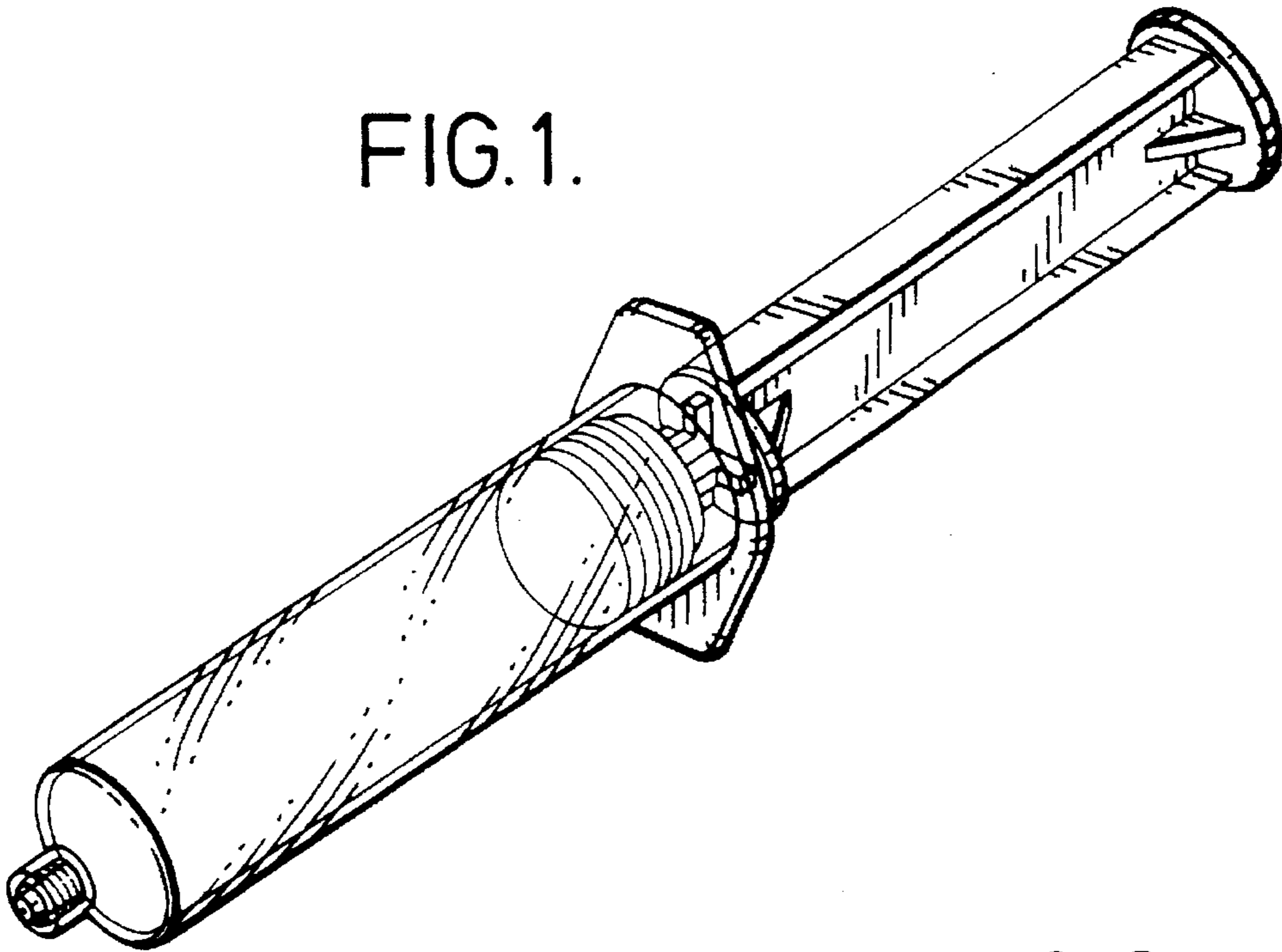


FIG. 2.

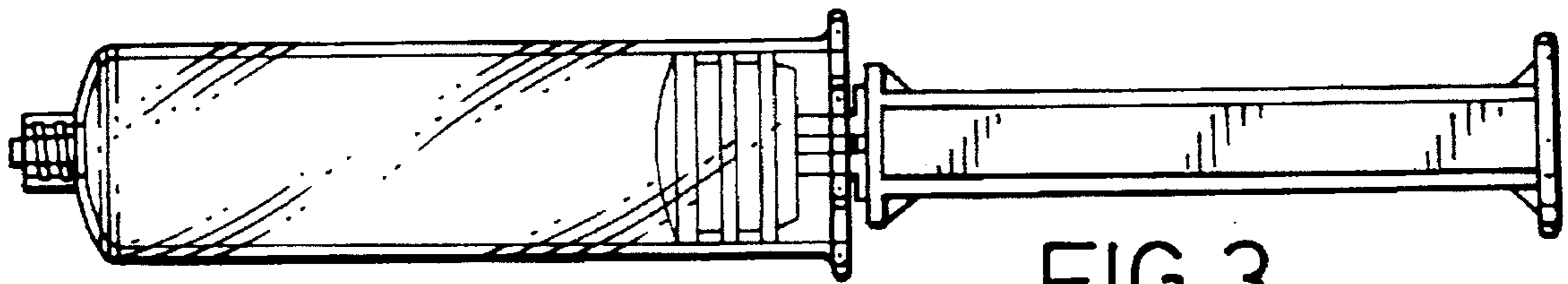
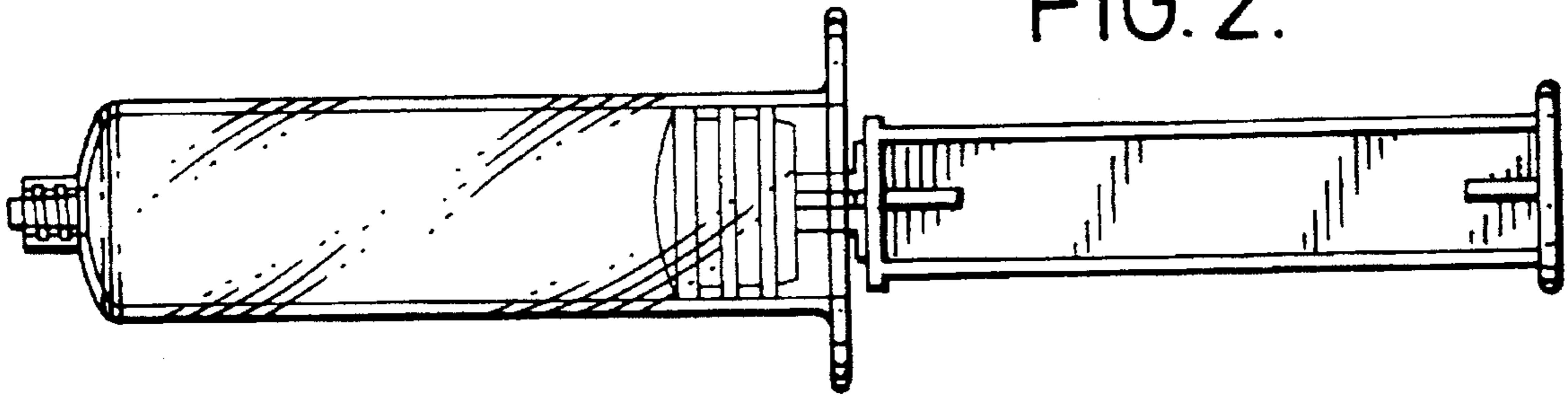


FIG. 3.

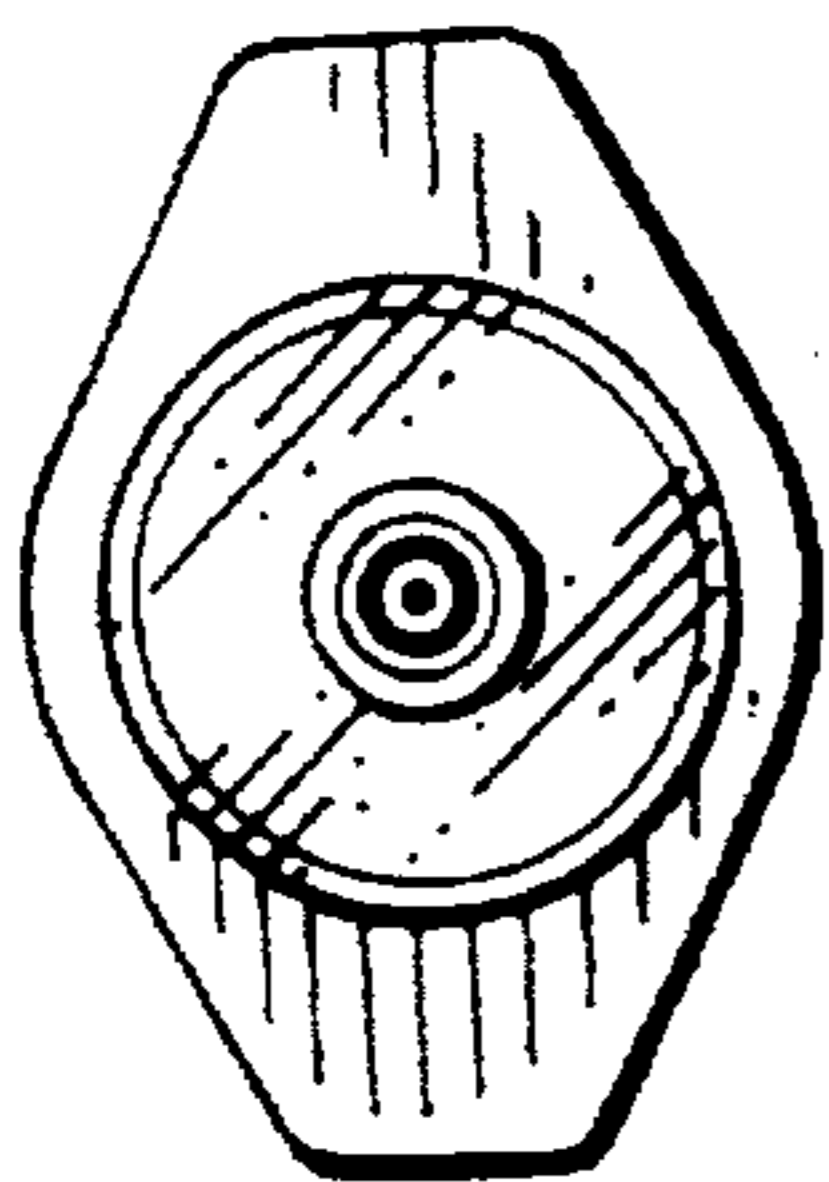


FIG. 4.

FIG. 5.

