



US00D383203S

United States Patent [19]

Shao

[11] Patent Number: **Des. 383,203**

[45] Date of Patent: ****Sep. 2, 1997**

[54] ELECTRICAL FAN SUPPORT

[76] Inventor: **Steve Shao**, 6 Surro Dr., Framingham, Mass. 01701

[**] Term: **14 Years**

[21] Appl. No.: **35,758**

[22] Filed: **Mar. 6, 1995**

[51] LOC (6) Cl. **23-04**

[52] U.S. Cl. **D23/411; D23/381**

[58] Field of Search D23/378, 411, D23/381, 328, 382, 337, 335, 336; 416/244, 246, 247 R; 248/676; D6/491, 495, 499; 392/365-369

[56] References Cited

U.S. PATENT DOCUMENTS

D. 133,051	7/1942	Kruck	D23/382
D. 221,077	7/1971	Stut	D23/382
D. 270,941	10/1983	Lin	D23/382
D. 346,653	5/1994	Chiu et al.	D23/411

Primary Examiner—Lisa Lichtenstein
Attorney, Agent, or Firm—Francis Marino

[57] CLAIM

The ornamental design for an electrical fan support, as shown and described.

DESCRIPTION

FIG. 1 is a side view of an electrical fan support showing my new design, the opposite side being a mirror image of that shown;

FIG. 2 is a front view thereof;

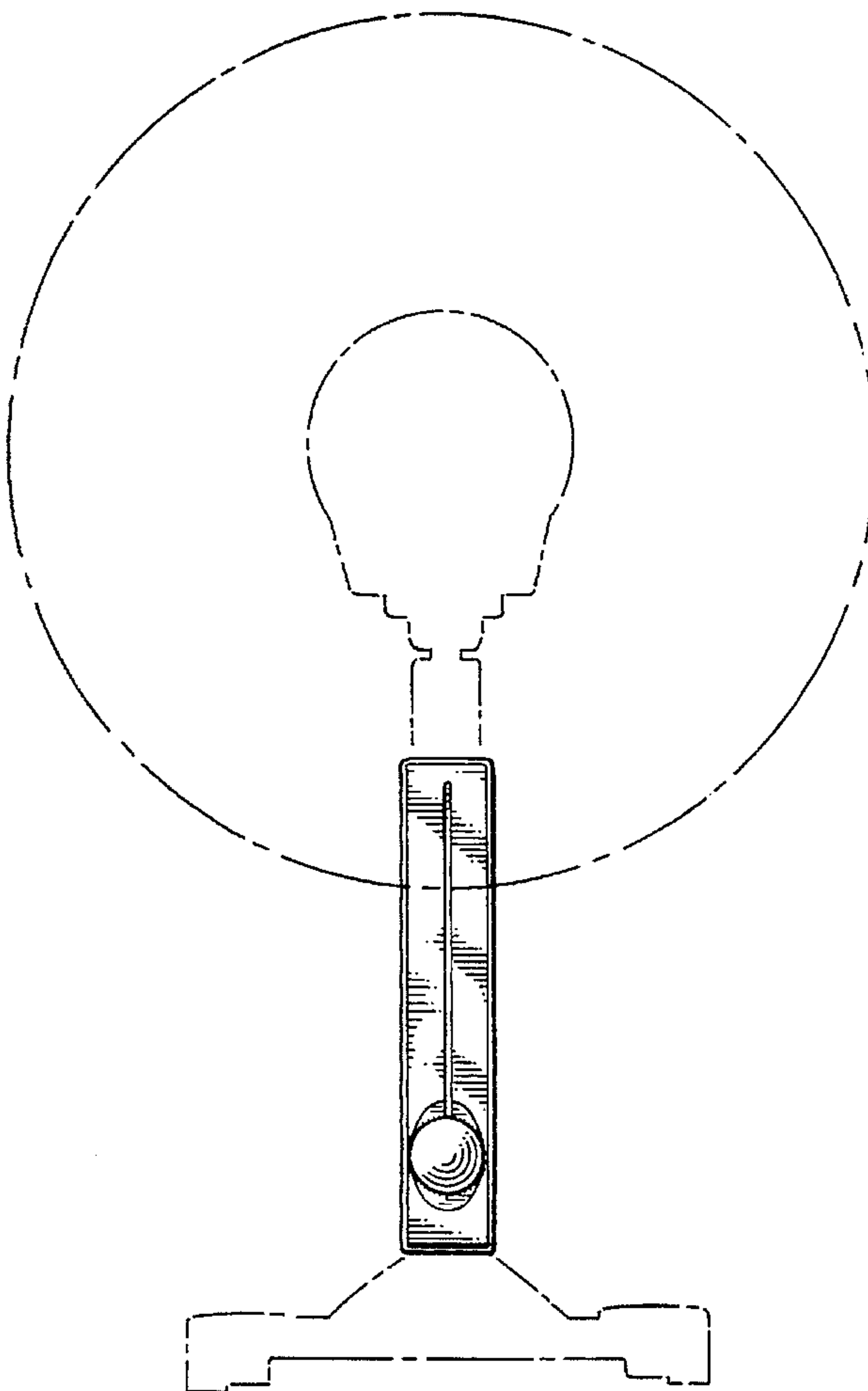
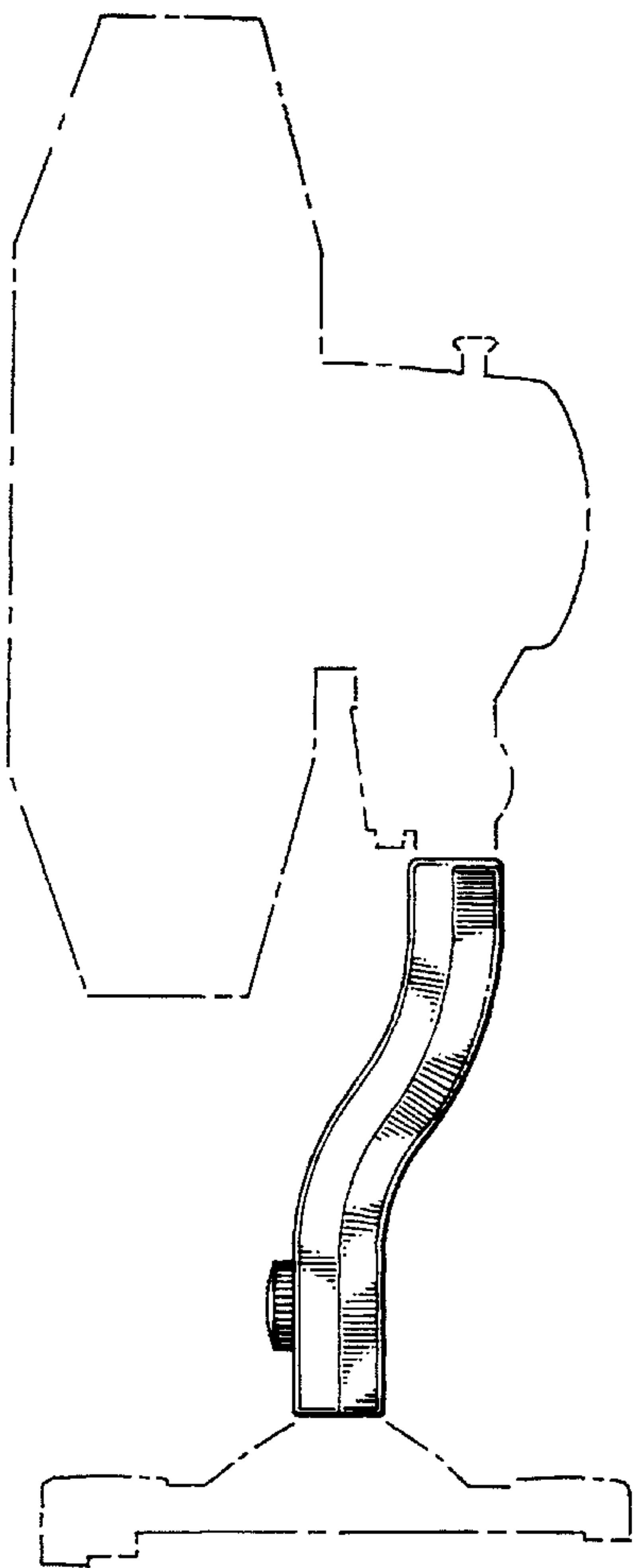
FIG. 3 is a rear view thereof;

FIG. 4 is a cross-sectional view taken on line 4—4 of FIG. 3 and looking in the direction of the arrows; and,

FIG. 5 is a side elevational view thereof on a reduced scale showing an alternate position of the fan support for use with a floor fan.

The broken-line showing of a fan in FIGS. 1-5 is for illustrative purposes only and forms no part of the claimed design.

1 Claim, 5 Drawing Sheets



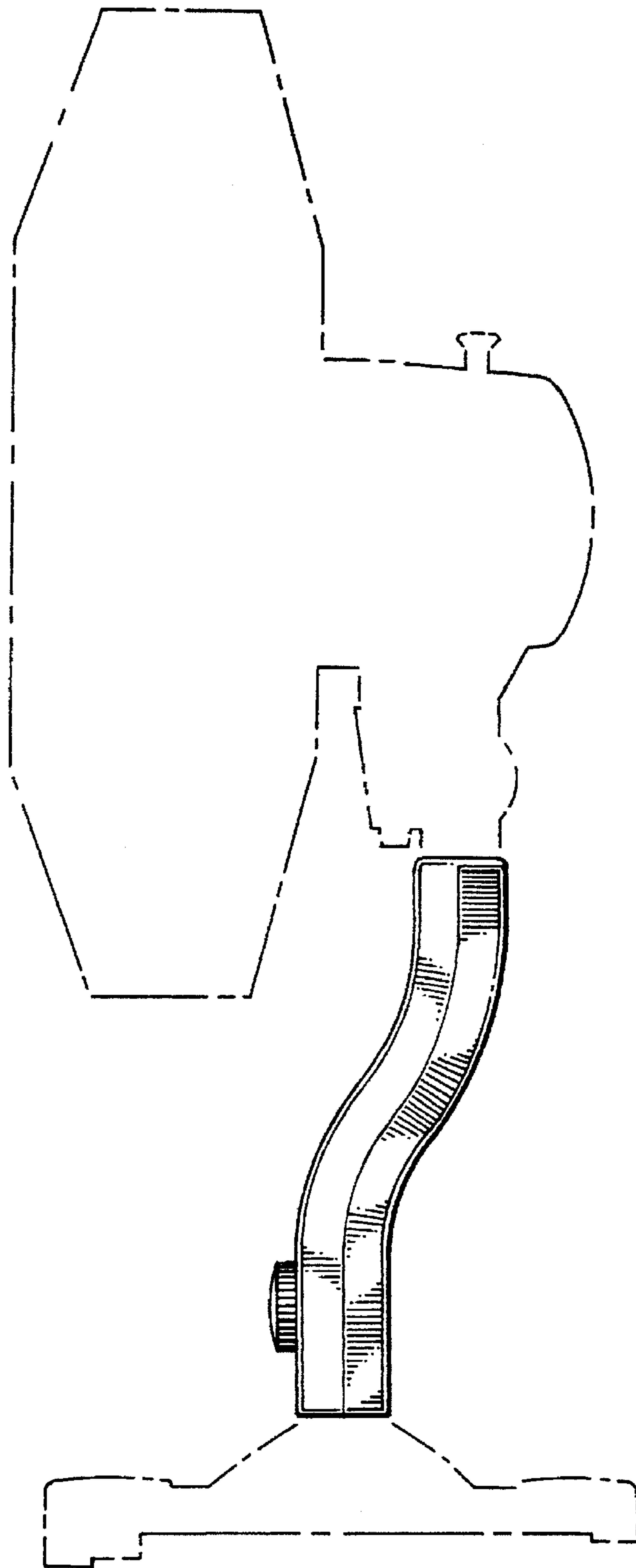


FIG. 1

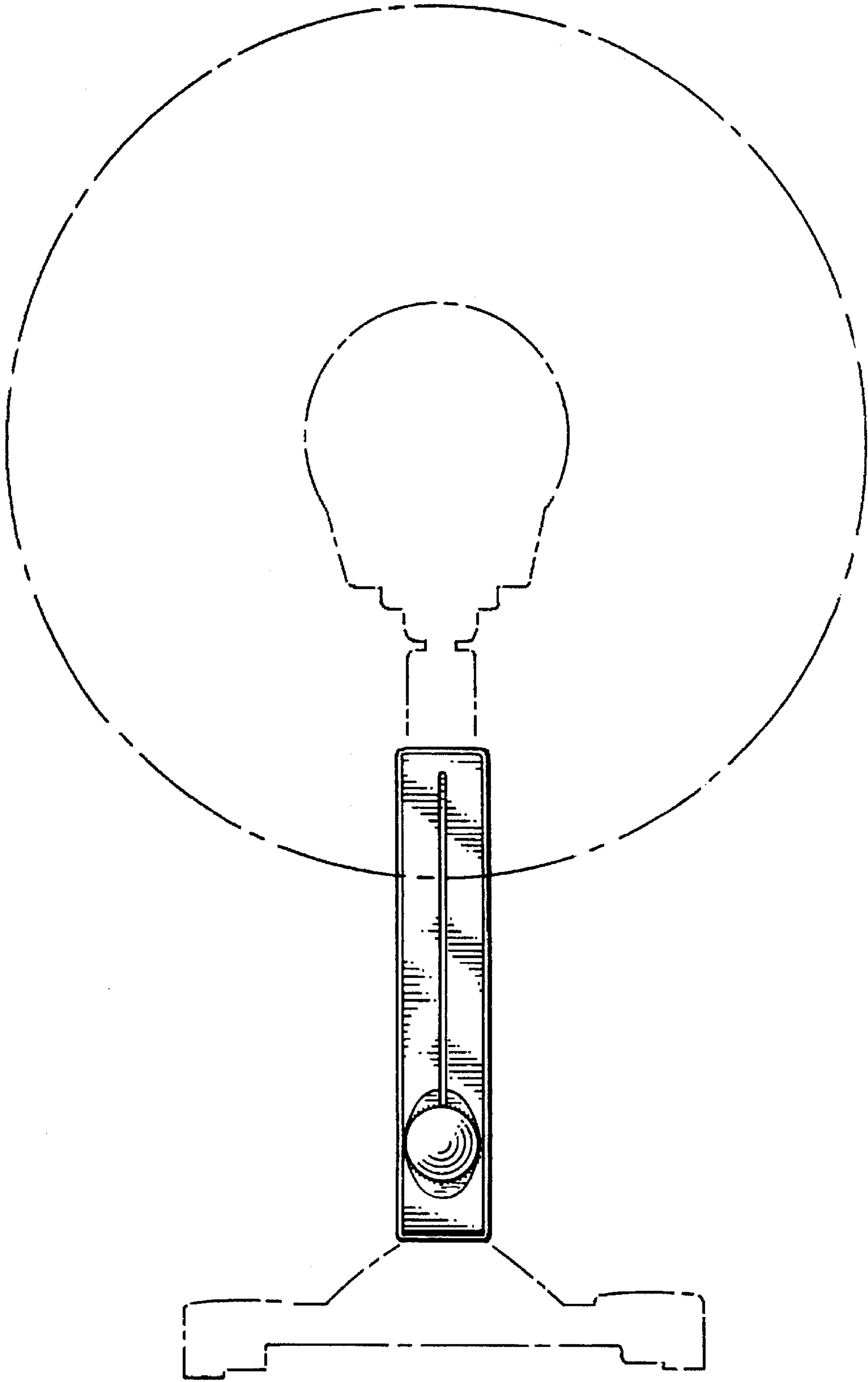


FIG. 2

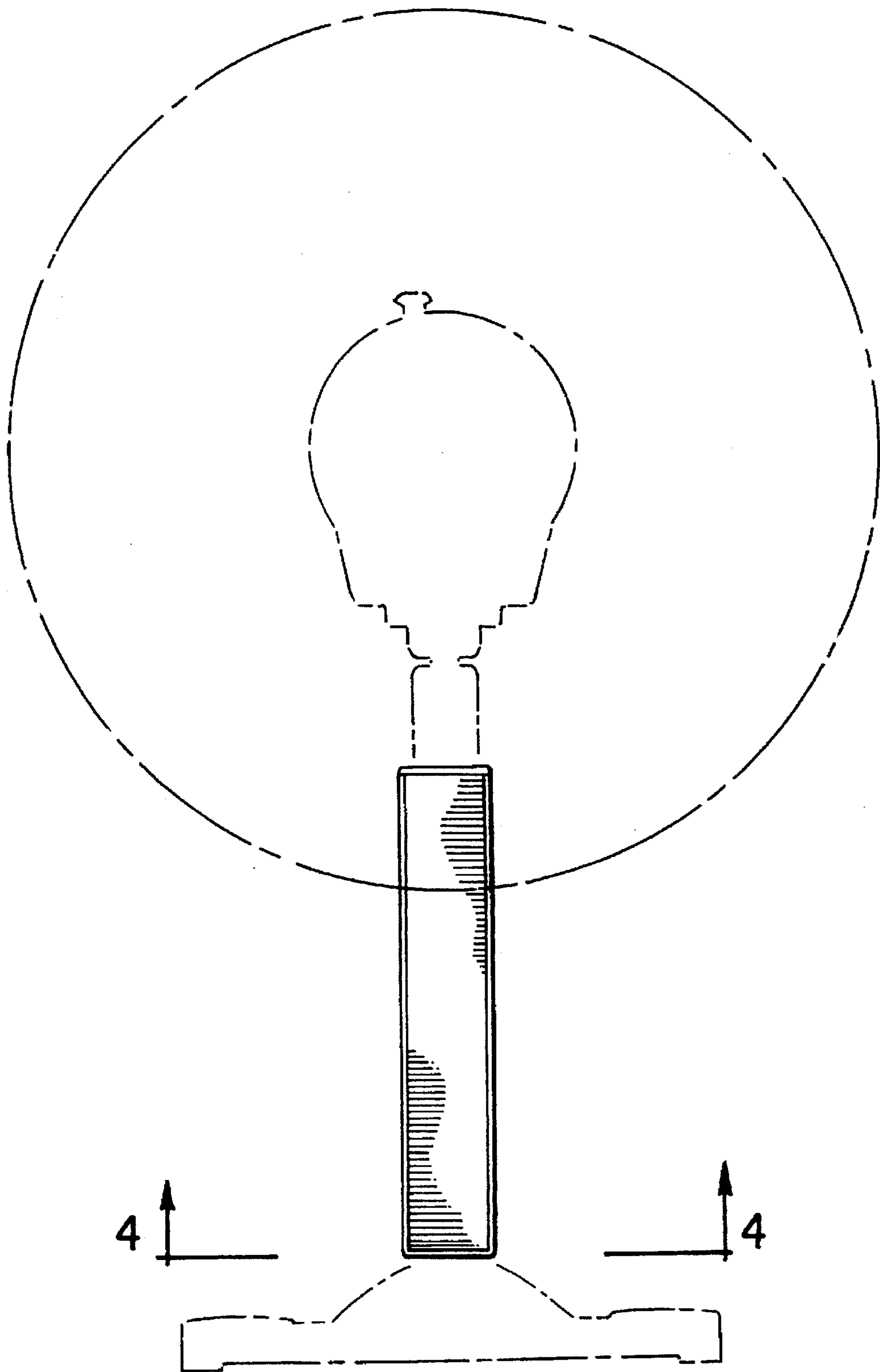


FIG. 3

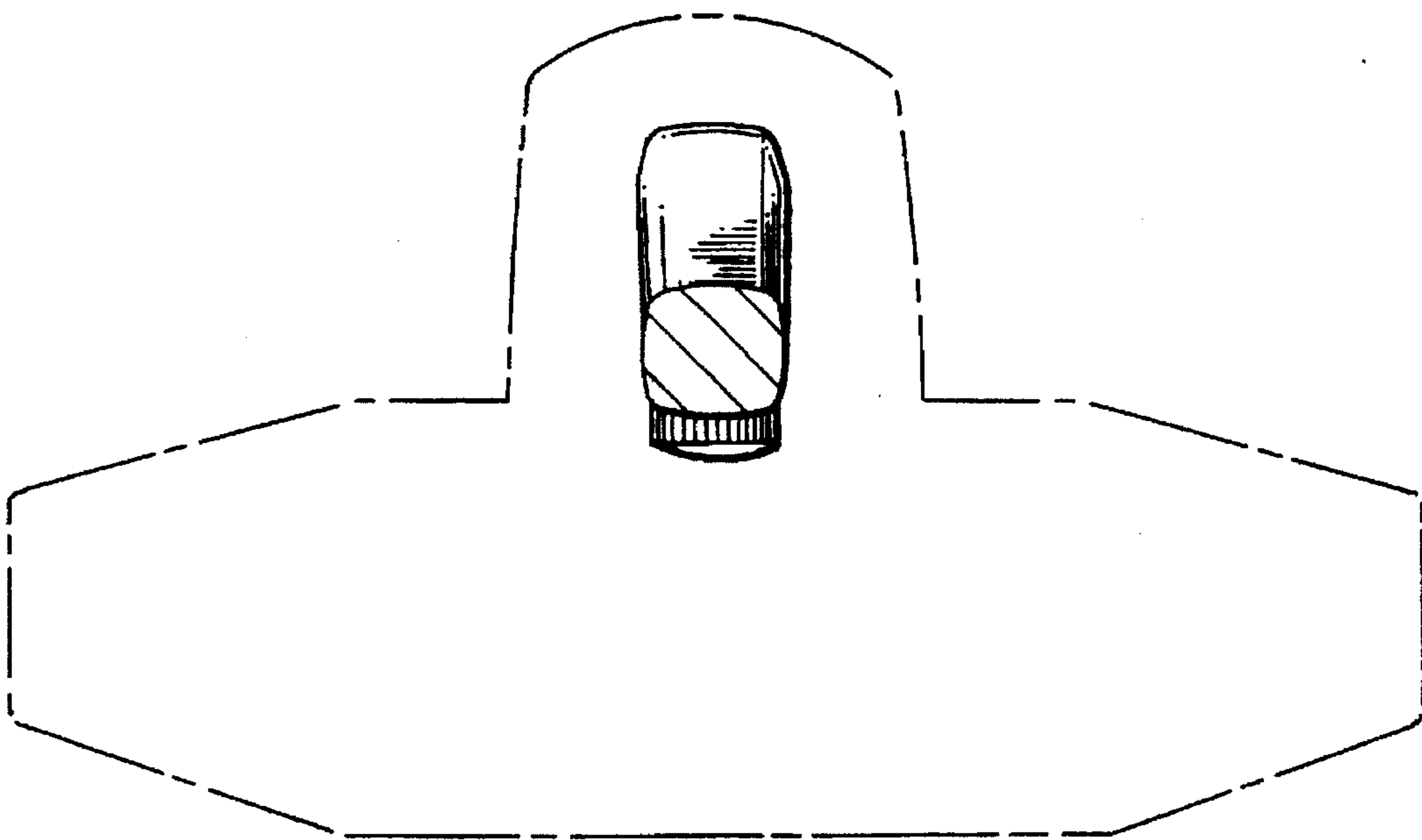


FIG. 4

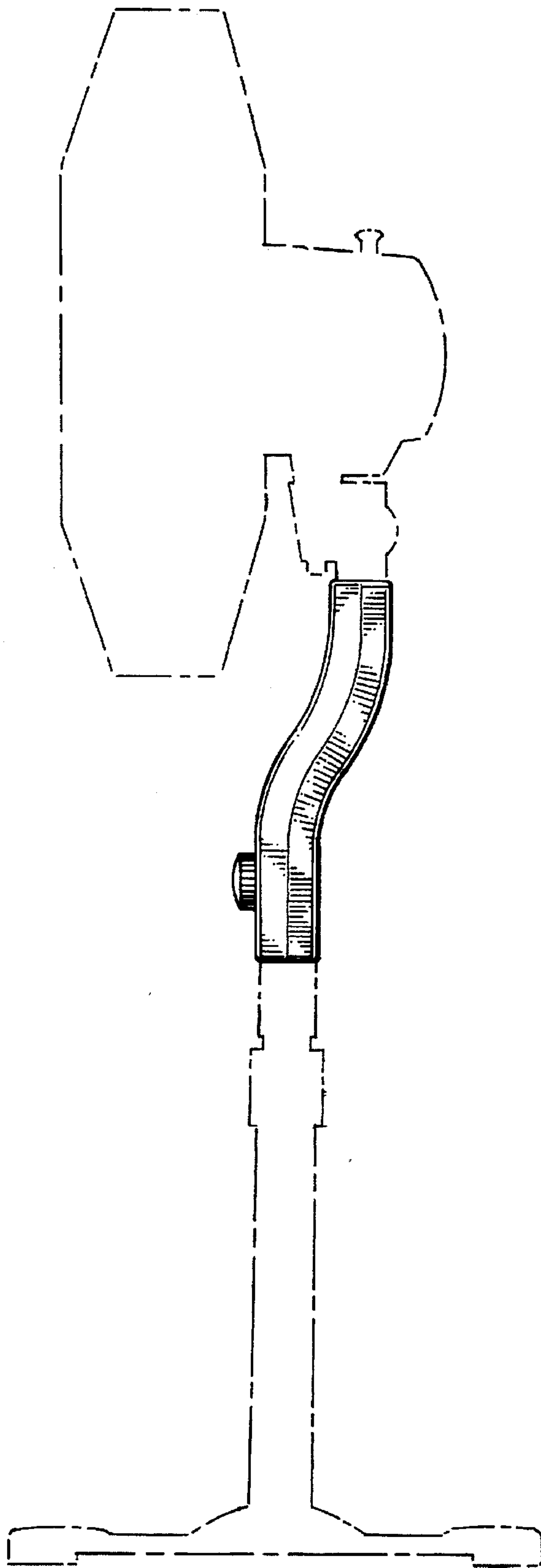


FIG. 5