



US00D383199S

United States Patent [19]

[11] Patent Number: **Des. 383,199**

Nodo

[45] Date of Patent: ****Sep. 2, 1997**

[54] PORTABLE CHEMICAL TOILET

1,343,287	6/1920	Shafer	4/477
4,606,080	8/1986	Clementino	4/449
5,170,516	12/1992	Davison	4/239 X

[76] Inventor: **Sam A. Nodo**, 1311 Kelford NW.,
Massillon, Ohio 44647

[**] Term: **14 Years**

Primary Examiner—Louis S. Zarfes
Assistant Examiner—Eric Watterson
Attorney, Agent, or Firm—Harold H. Dutton, Jr.; Diane F. Liebman

[21] Appl. No.: **30,859**

[22] Filed: **Nov. 10, 1994**

[57] CLAIM

[51] LOC (6) Cl. **23-02**

The design for a portable chemical toilet, as shown.

[52] U.S. Cl. **D23/299**

DESCRIPTION

[58] Field of Search D23/299-301;
4/239, 449, 476-479, 604, 605, 612, DIG. 12

FIG. 1 is an exploded perspective view of a portable chemical toilet showing my new design;
FIG. 2 is a rear plan view thereof;
FIG. 3 is a right side view thereof;
FIG. 4 is a top plan view thereof; and,
FIG. 5 is a bottom plan view thereof.

[56] References Cited

U.S. PATENT DOCUMENTS

D. 222,965	2/1972	Kirp et al.	D23/311
D. 291,348	8/1987	Harrison	D23/311
1,119,574	12/1914	Goppedge	4/477
1,150,862	8/1915	Hardin	4/477

1 Claim, 3 Drawing Sheets

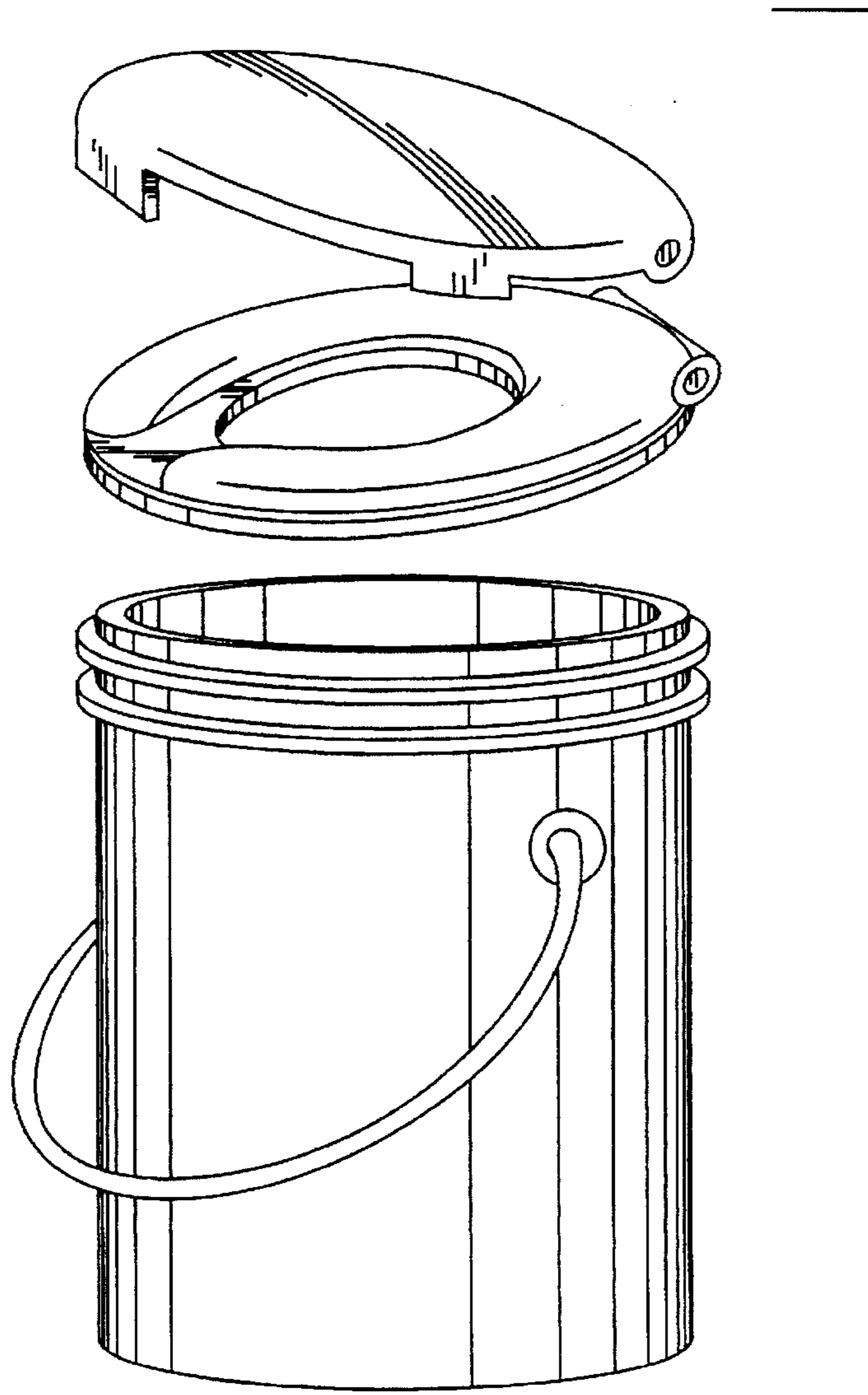


FIG. 1

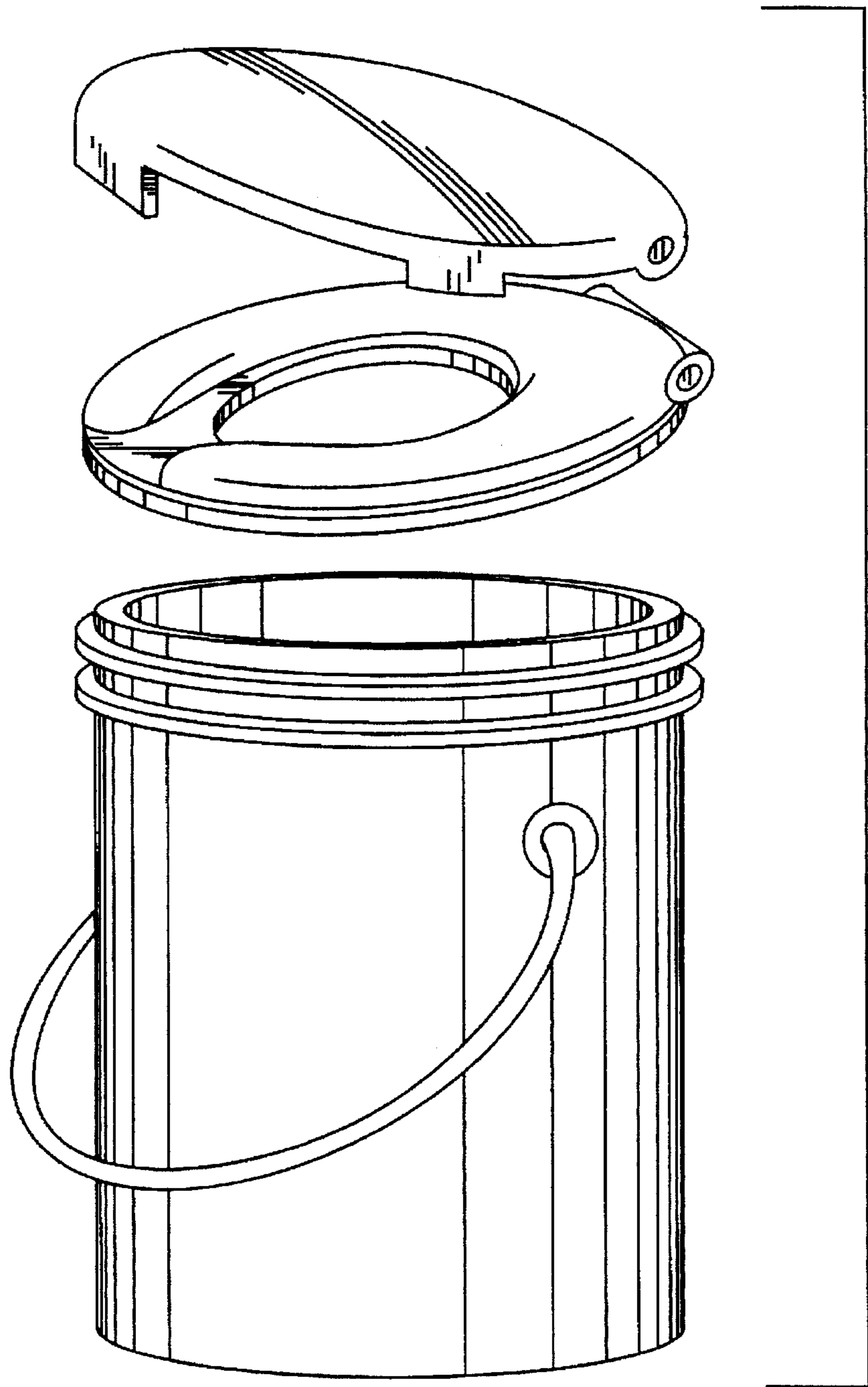


FIG. 2

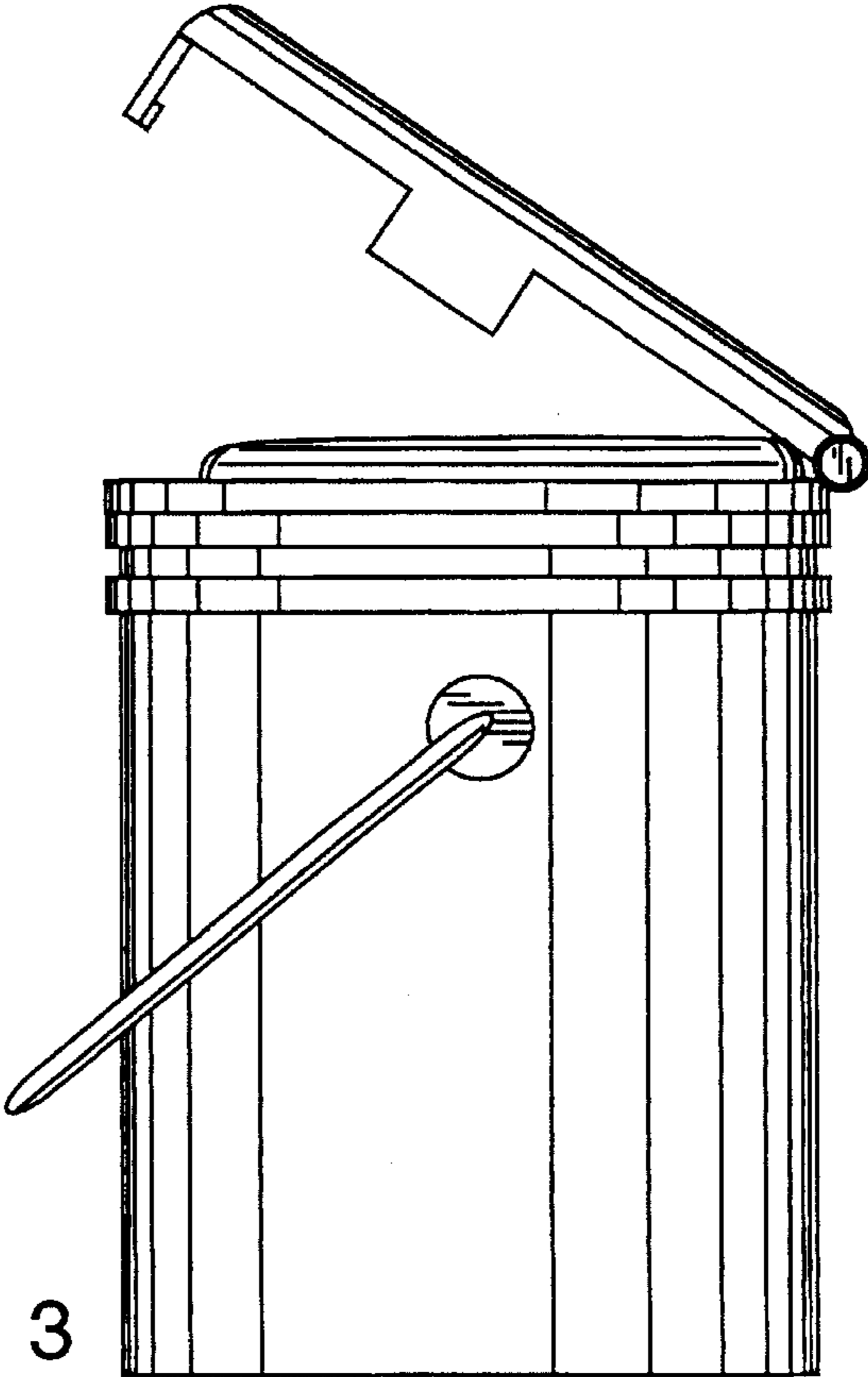
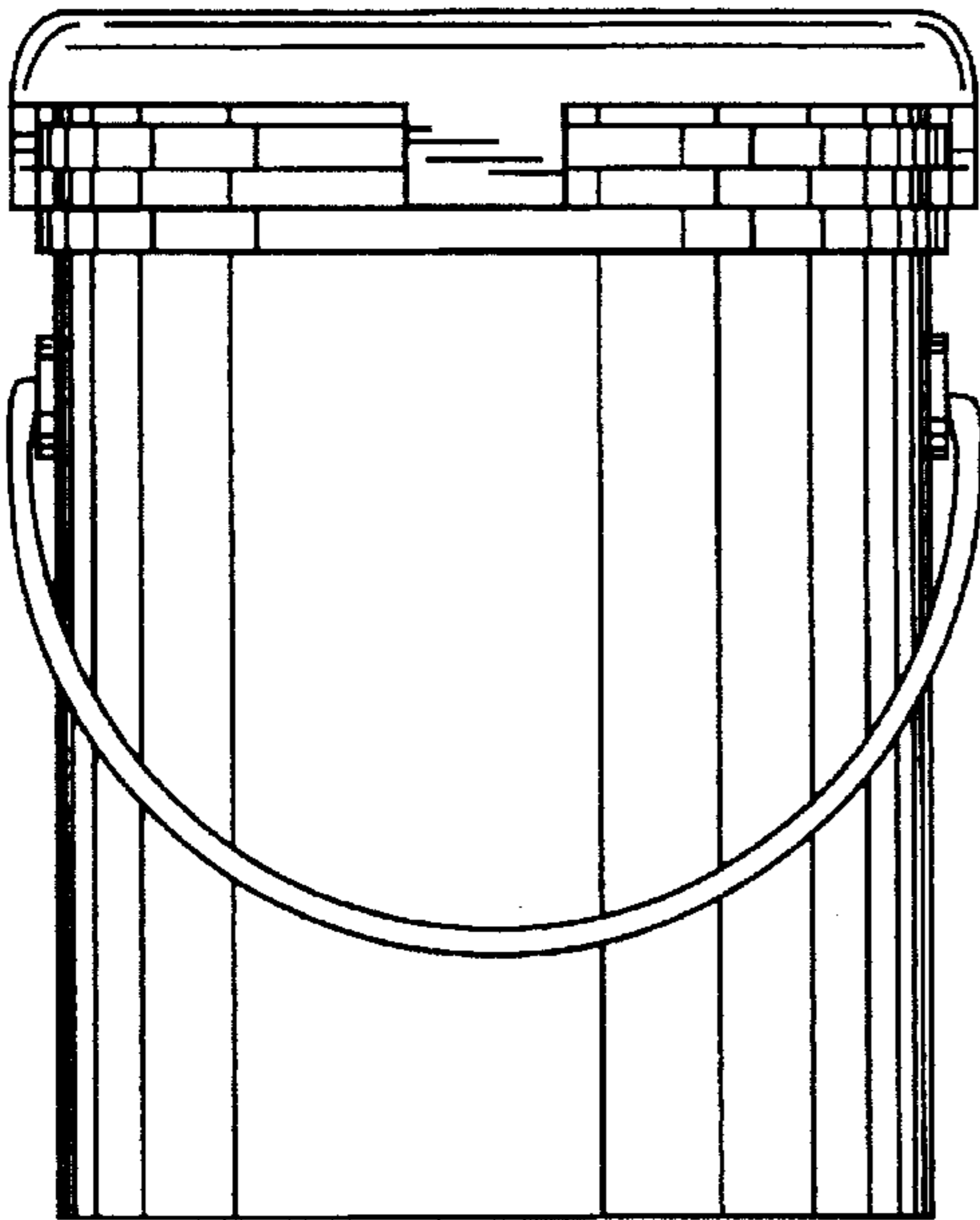


FIG. 3

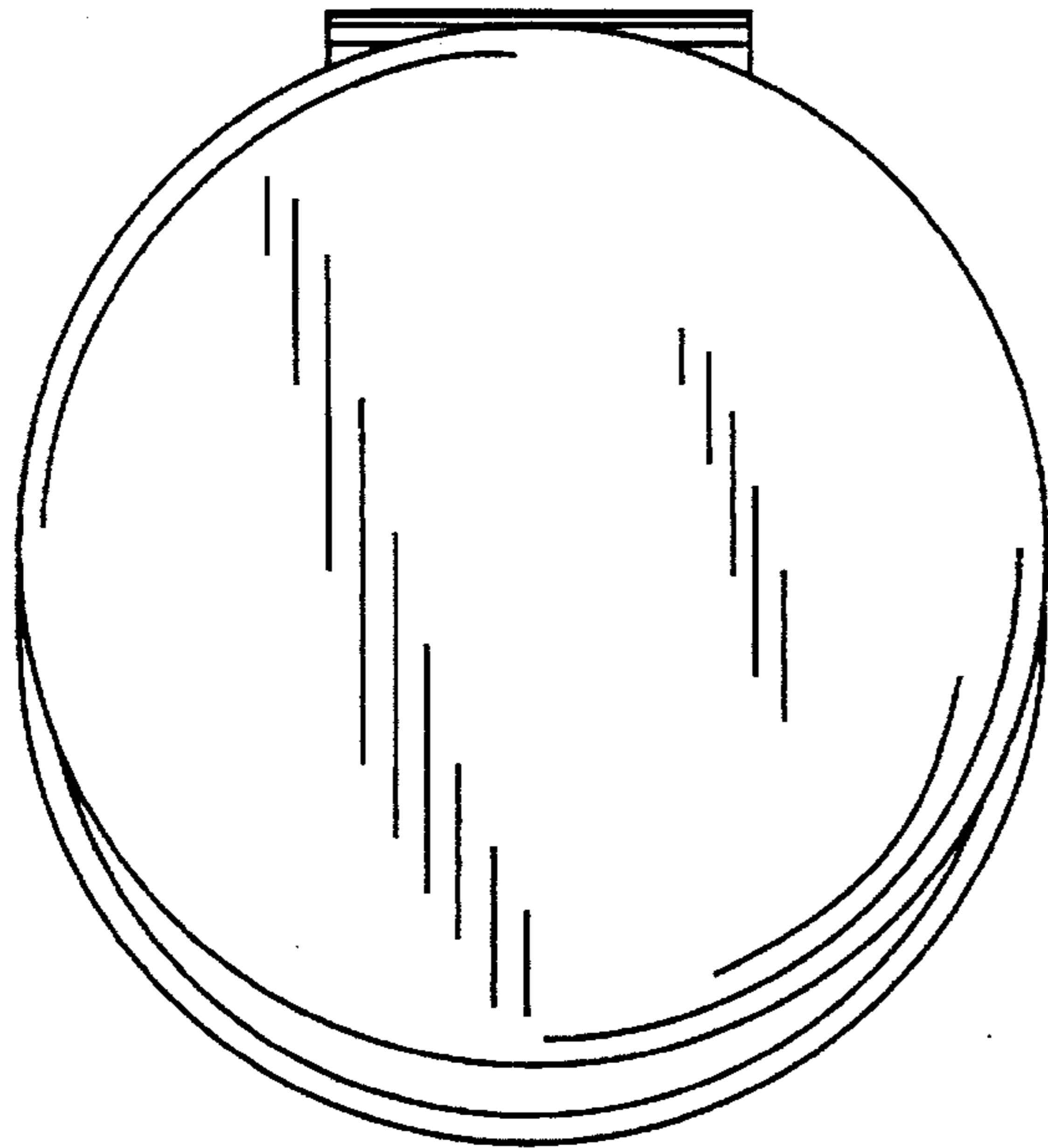


FIG. 4

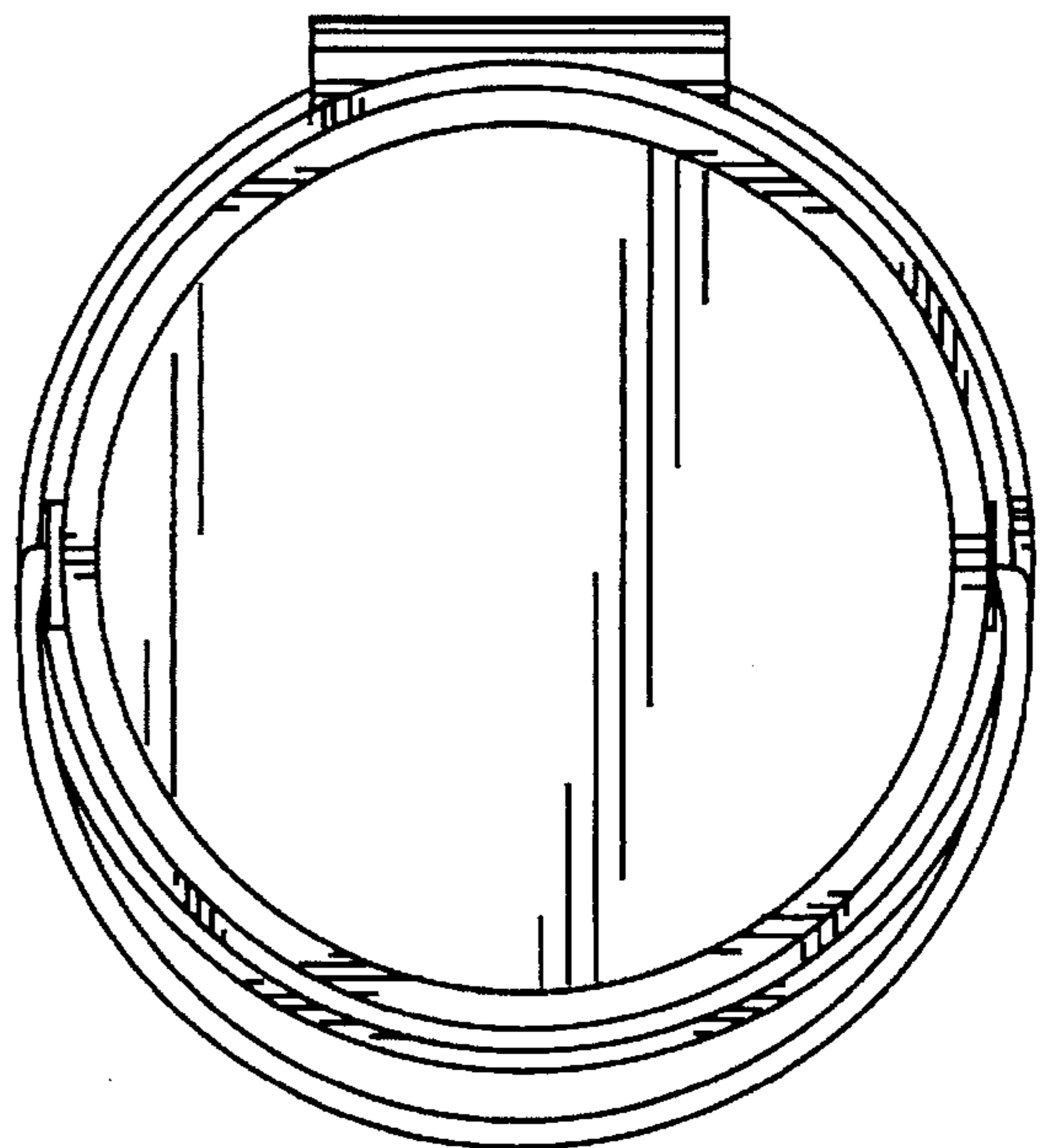


FIG. 5