

US00D383197S

United States Patent [19]

[11] Patent Number: Des. 383,197

Brown

[45] Date of Patent: **Sep. 2, 1997

[54] SAFETY SHIELD FOR A JOINT FORMED IN A PIPING SYSTEM

5,489,124 2/1996 Dee et al. 285/45 X

[76] Inventor: William E. Brown, 817 N. 48th St., Pensacola, Fla. 32506

Primary Examiner—Stella Reid
Assistant Examiner—Eric Watterson
Attorney, Agent, or Firm—George A. Bode

[**] Term: 14 Years

[57] CLAIM

[21] Appl. No.: 46,065

The ornamental design for a safety shield for a joint formed in a piping system, as shown and described.

[22] Filed: Nov. 6, 1995

DESCRIPTION

[51] LOC (6) Cl. 23-01

[52] U.S. Cl. D23/266

[58] Field of Search D23/259, 262, D23/265, 266; 285/45, 420, 421

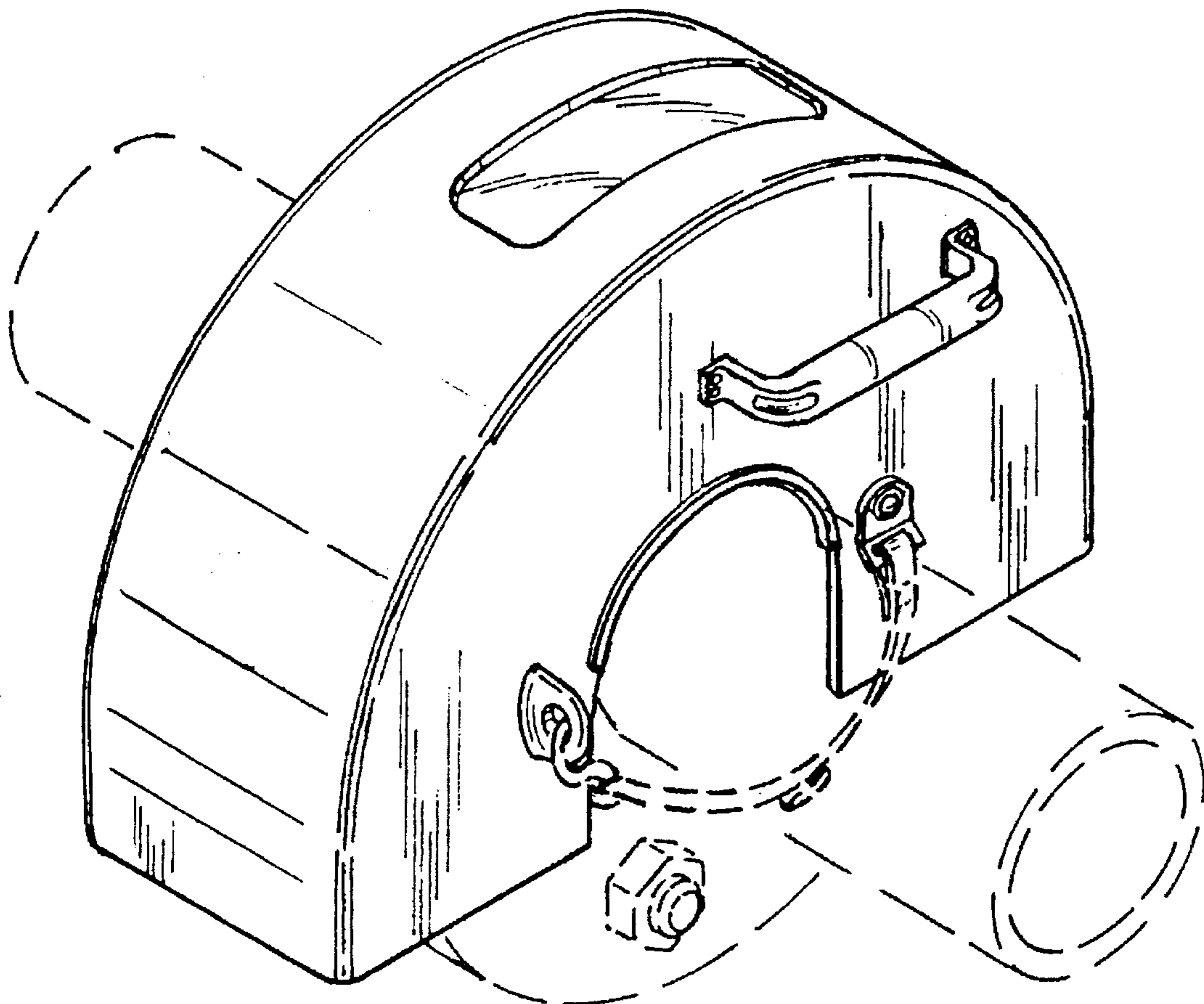
FIG. 1 is a top front and left side perspective view of a safety shield for a joint formed in a piping system showing my new design, the broken lines showing of a pipe, pipe joint and strap securing the pipe to the shield is for illustrative purposes only and forms no part of the claimed design; FIG. 2 is a front elevational view thereof, the rear view being a mirror image of that shown; FIG. 3 is a left side elevational view thereof, the right side being a mirror image of that shown; FIG. 4 is a top plan view thereof; and, FIG. 5 is a bottom plan view thereof.

[56] References Cited

U.S. PATENT DOCUMENTS

D. 142,057	8/1945	Baxter	D23/265
D. 142,834	11/1945	Campbell	D23/265
D. 263,415	3/1982	Roche	D23/265
5,312,137	5/1994	Dee	285/454
5,480,193	1/1996	Echols et al.	285/45

1 Claim, 2 Drawing Sheets



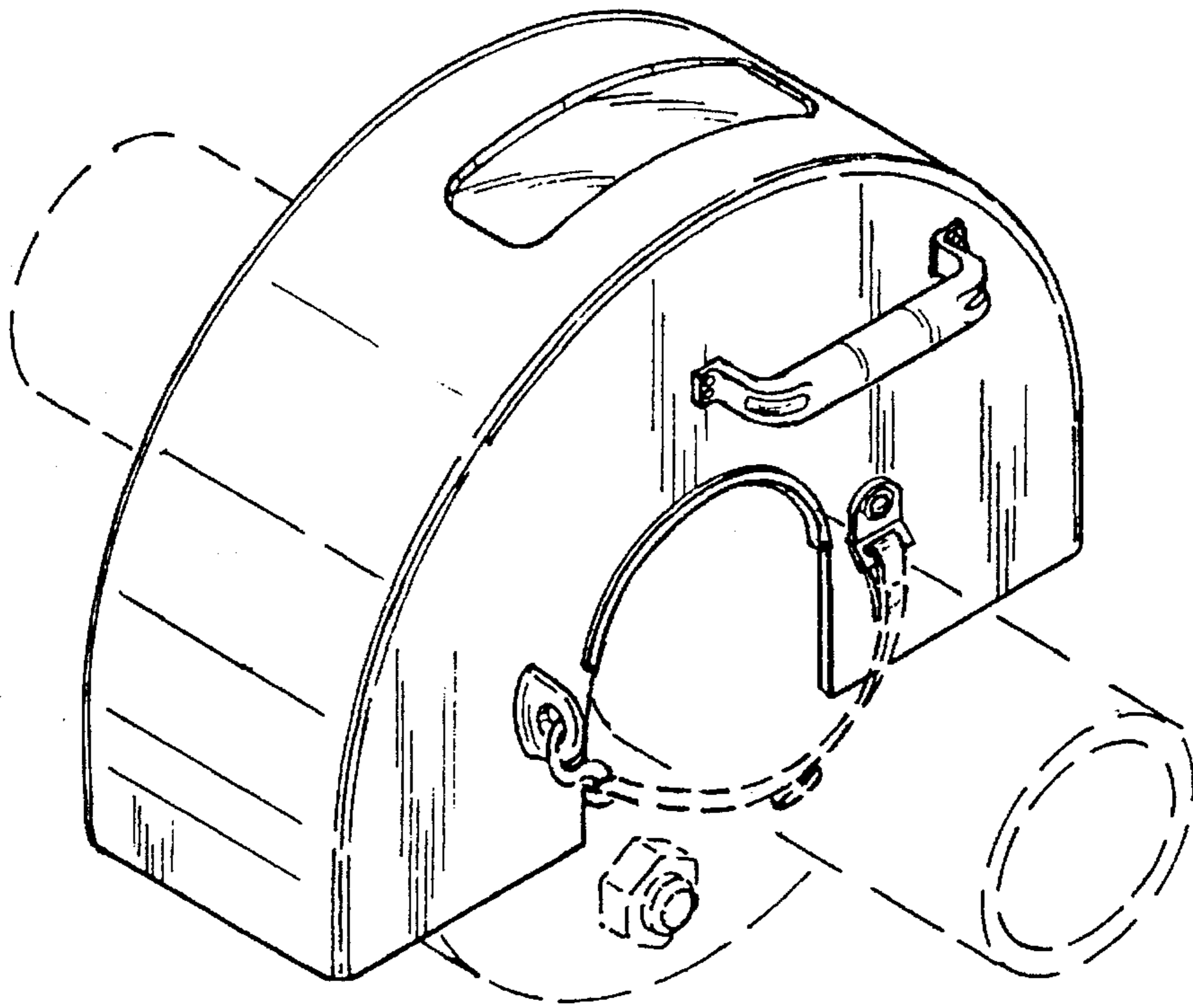


FIG. 1

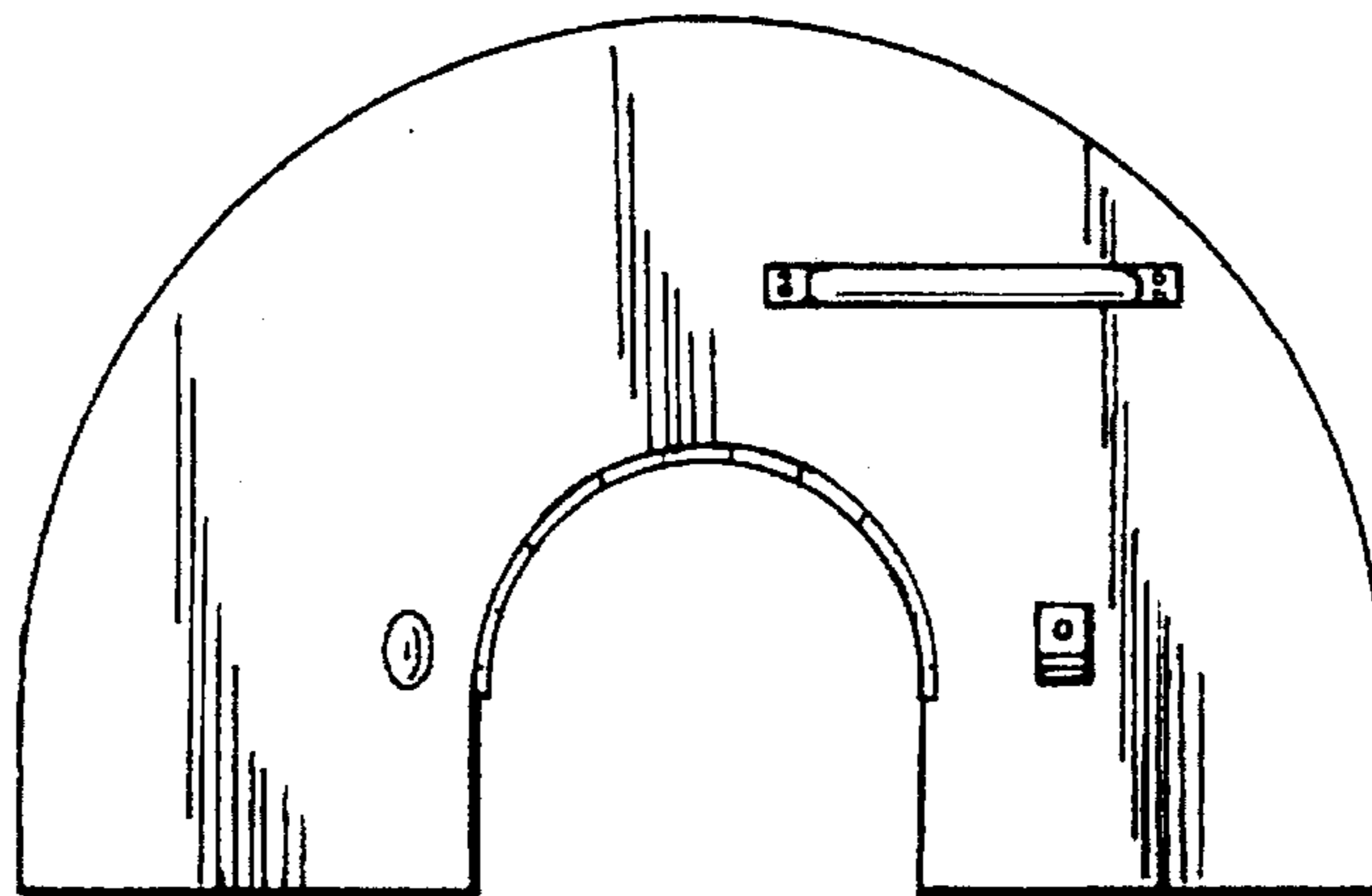


FIG. 2

FIG. 3

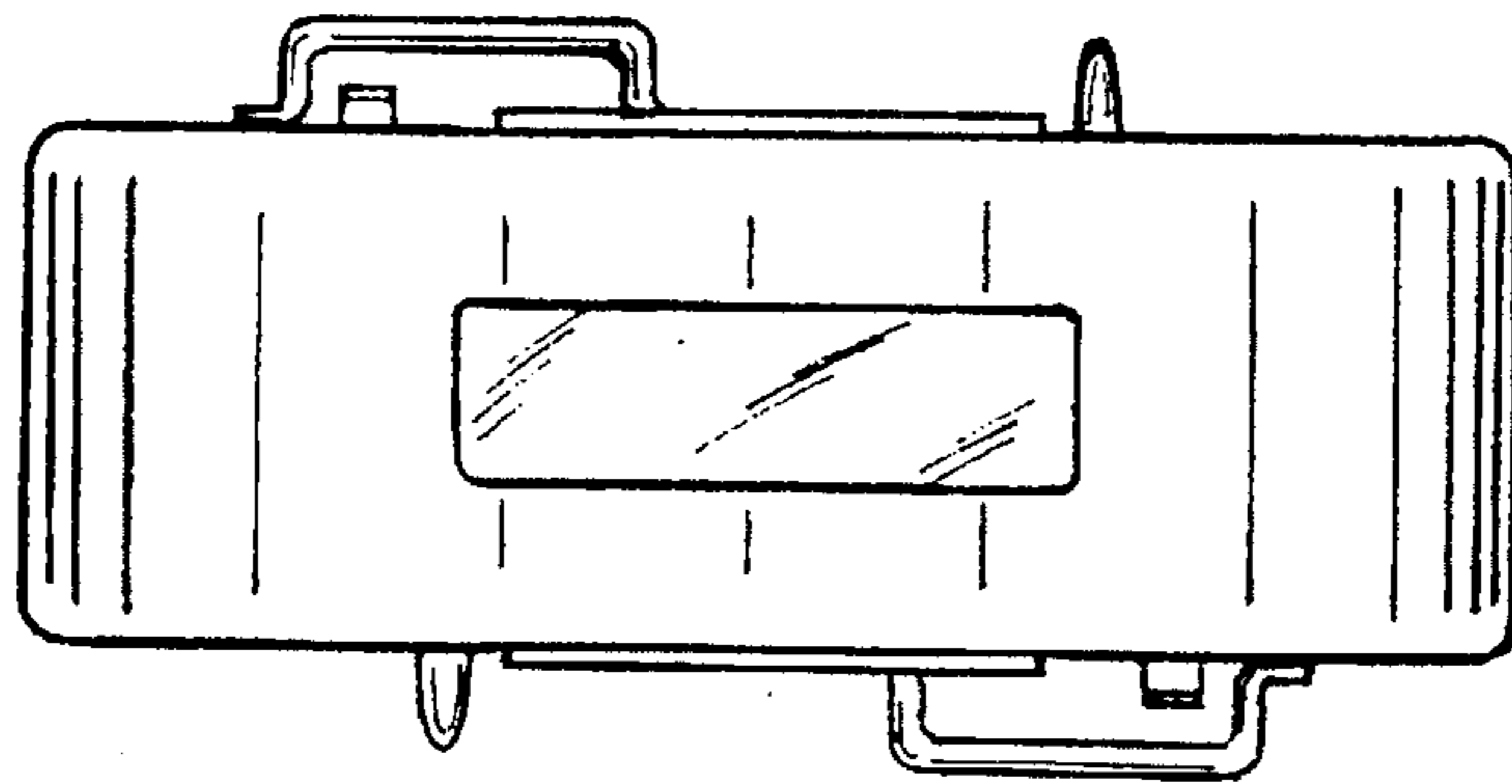
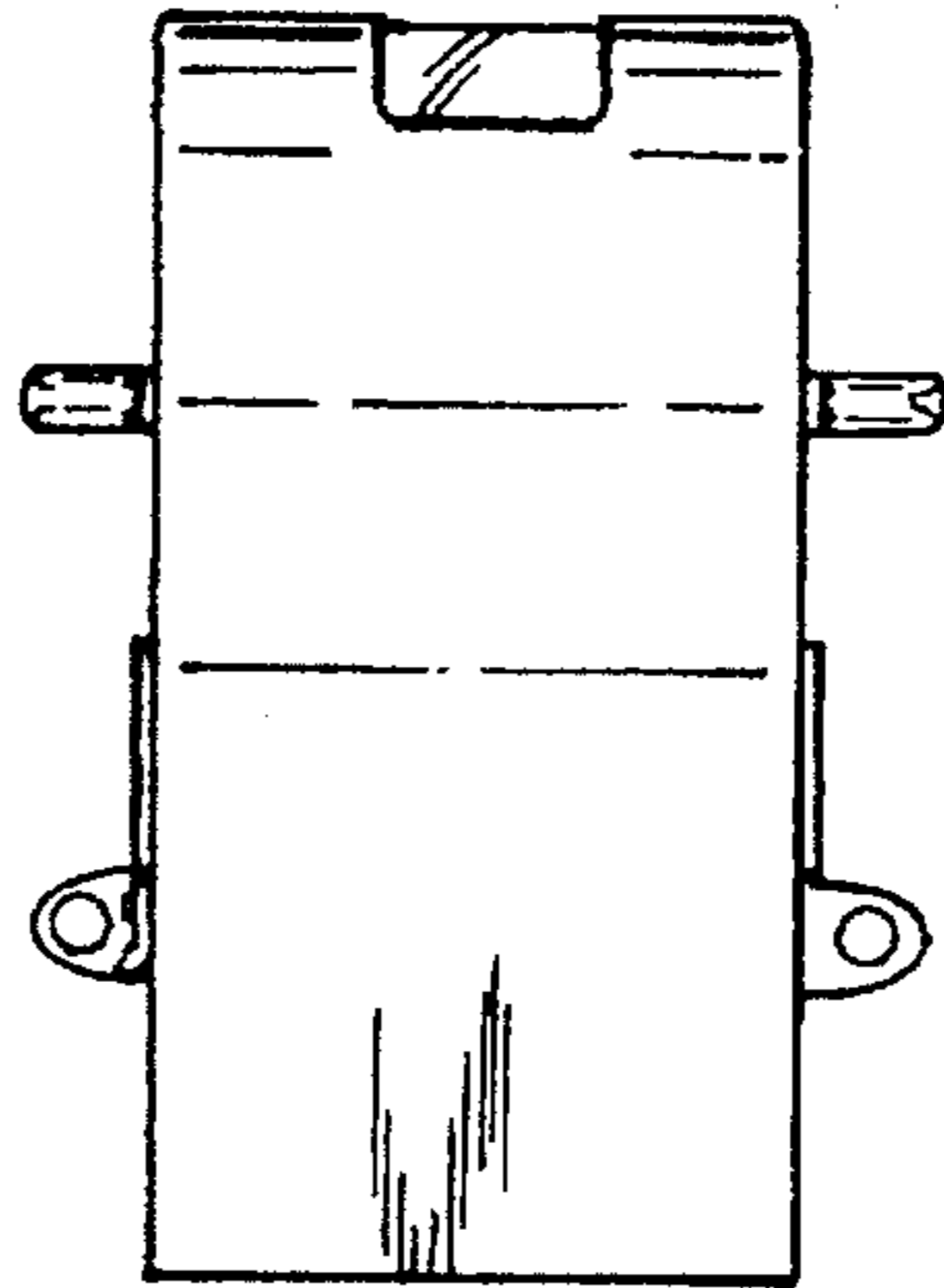


FIG. 4

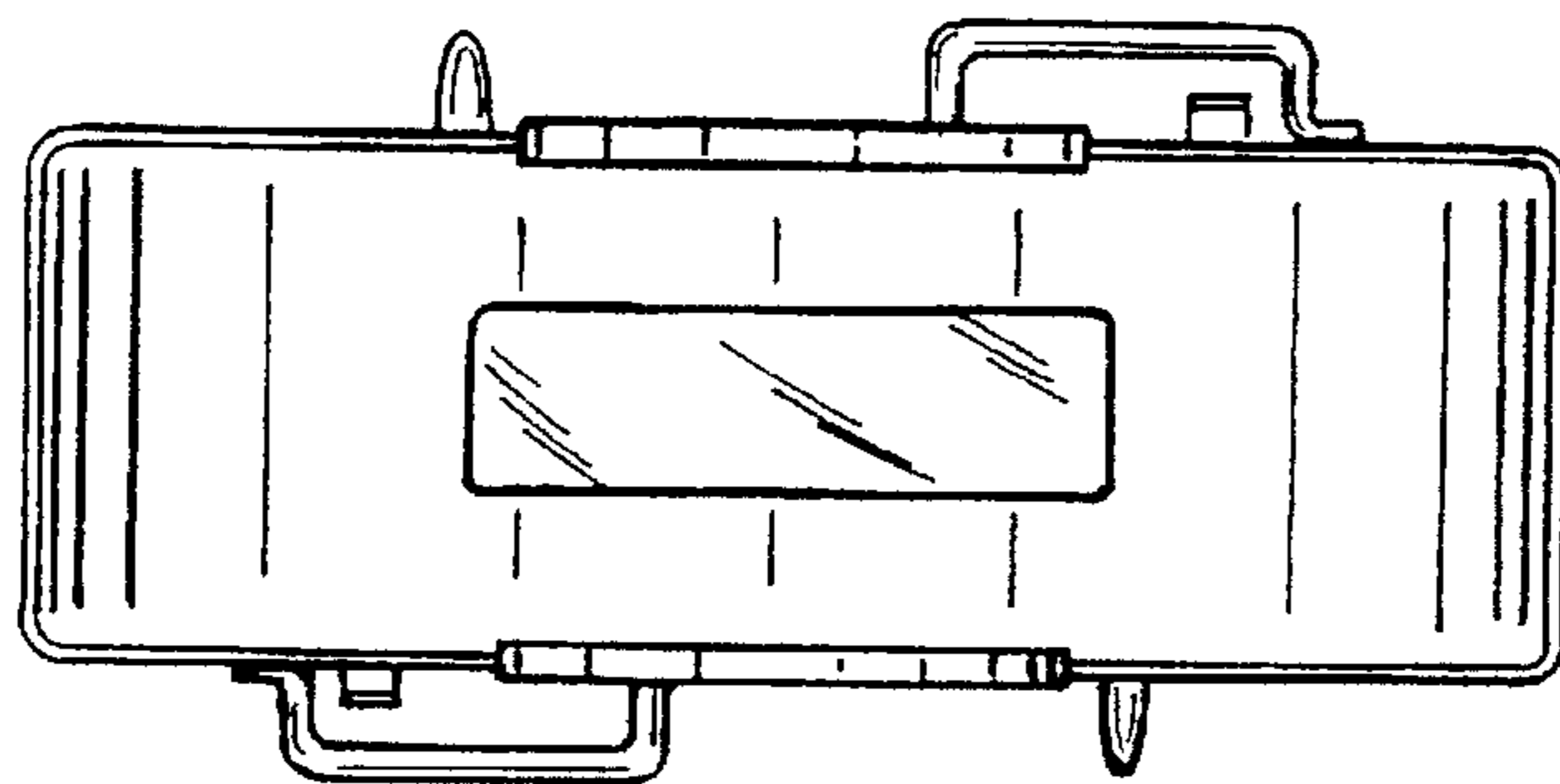


FIG. 5