



US00D383196S

United States Patent [19]

[11] Patent Number: Des. 383,196

Sondén et al.

[45] Date of Patent: **Sep. 2, 1997

[54] CIRCULAR SLEEVE COUPLING

FOREIGN PATENT DOCUMENTS

[75] Inventors: **Carl-Gustaf Sondén**, Ängelholm;
Kenneth Lennartsson, Torekov, both
of Sweden

363743	8/1981	Austria .	
13987	7/1973	Sweden .	
19819	6/1975	Sweden .	
17788	12/1975	Sweden .	
382675	2/1976	Sweden .	
25473	3/1979	Sweden .	
25610	8/1979	Sweden .	
26059	11/1979	Sweden .	
26995	11/1979	Sweden .	
840944	9/1984	Sweden .	
880780	3/1988	Sweden .	
317678	8/1929	United Kingdom .	
442751	2/1936	United Kingdom .	
1403744	3/1975	United Kingdom	285/183
1429220	8/1976	United Kingdom	285/183
2149040	6/1985	United Kingdom .	

[73] Assignee: **Lindab AB**, Bastad, Sweden

[**] Term: **14 Years**

[21] Appl. No.: **6,939**

[22] Filed: **Apr. 9, 1993**

[30] Foreign Application Priority Data

Mar. 1, 1993 [DK] Denmark 0223.93

[51] LOC (6) Cl. **08-08**

[52] U.S. Cl. **D23/262**

[58] Field of Search D23/262, 263,
D23/264, 265; 285/424; 138/109; 16/2,
108, 109; 277/207 A

[56] References Cited

OTHER PUBLICATIONS

Pipes by Solplast AB disclosed in a catalogue entitled "Svensk Byggkatalog Arp-87", issued by Svensk Byggtajanst in 1987.

Product NPU disclosed in a catalogue entitled "Ventilation-88", issued by Lindab AB in 1988.

Product ESIU disclosed in a catalogue entitled "Ventilation-88", issued by Lindab AB in 1988.

(List continued on next page.)

U.S. PATENT DOCUMENTS

193,847	8/1877	Choate	285/183
210,367	11/1878	Stern et al.	285/183
244,720	7/1881	Hildebrand	285/183
409,631	8/1889	Cooper	285/183
735,644	9/1903	Wirtz	285/424
904,199	11/1908	Harris .	
910,119	1/1909	Dunn	285/183
997,072	7/1911	Mares .	
1,083,002	12/1913	Charles	285/424
2,392,220	1/1946	Bruhn et al.	285/211
2,482,558	9/1949	Scaringella	285/183
2,535,186	12/1950	Anderson	285/424 X
2,823,703	2/1958	Nusser, Jr.	285/183
3,111,922	11/1963	Hock	285/182
3,290,066	12/1966	Primich et al.	285/183
3,327,945	6/1967	Pfisher	285/424 X
3,368,830	2/1968	French	277/207 A
4,007,941	2/1977	Stancati	277/207 A
4,050,703	9/1977	Tuvsesson et al.	277/207
4,288,111	9/1981	Feutz	285/183

Primary Examiner—Louis S. Zarfes
Assistant Examiner—Eric Watterson
Attorney, Agent, or Firm—Weingarten, Schurgin, Gagnebin & Hayes LLP

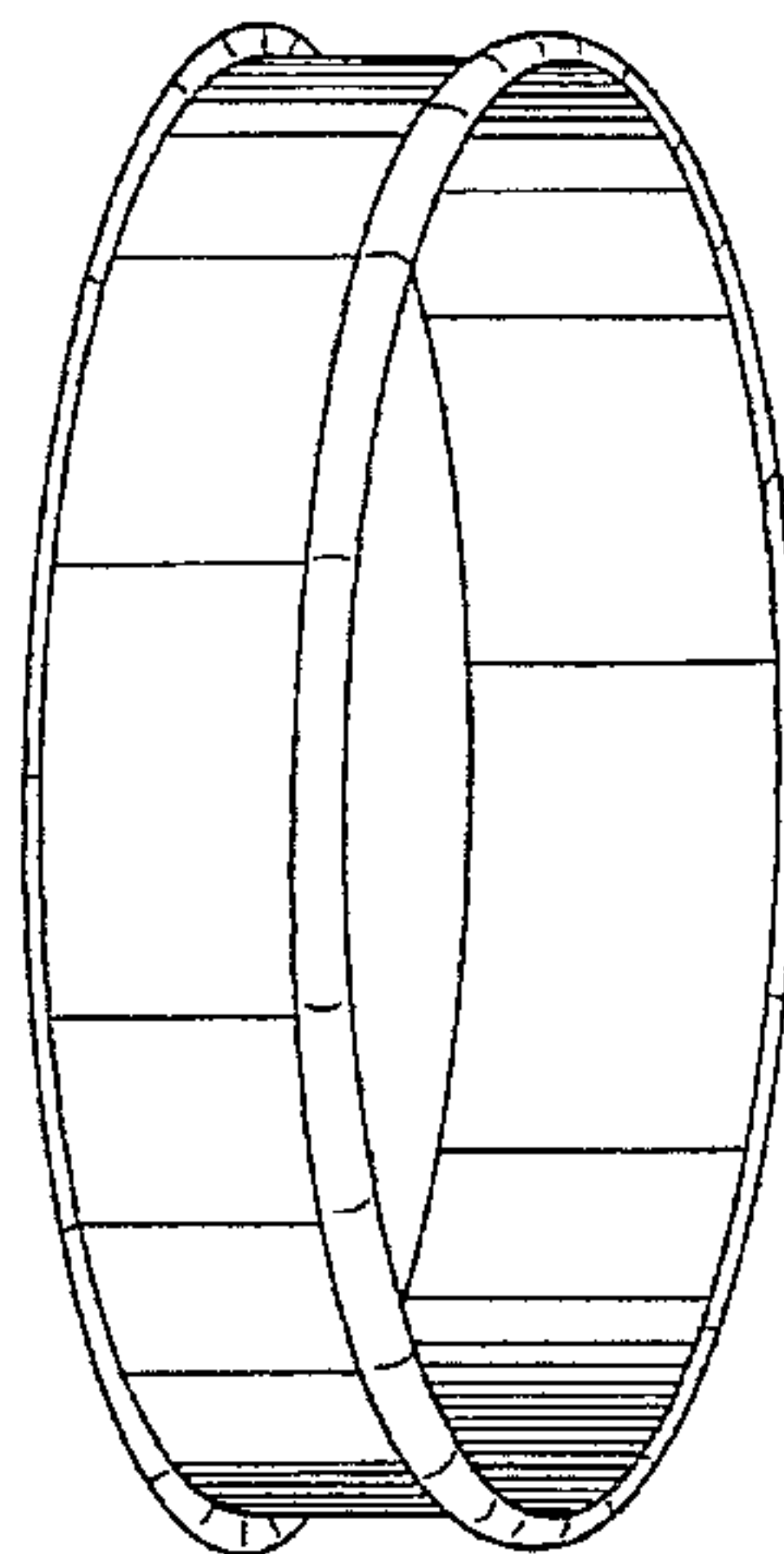
[57] CLAIM

The ornamental design for a circular sleeve coupling, as shown and described.

DESCRIPTION

FIG. 1 is a perspective view of a circular sleeve coupling, showing our new design, as seen obliquely from the front; FIG. 2 is a perspective view of the sleeve coupling, as seen obliquely from the back; and, FIG. 3 is a side elevation of the sleeve coupling, the opposite side being a mirror image thereto.

1 Claim, 1 Drawing Sheet



OTHER PUBLICATIONS

Product IK disclosed in a catalogue entitled "*Ventilation-88*", issued by Lindab AB in 1988.

General drawings No. J299102, produced by the Swedish company Flakt and dated Nov. 19, 1981 (811119).

Catalogue entitled "*Kanalsystem Veloduct*", issued by Flakt in 1982.

Curve Cutting Machine *Delta 2* issued by Emil Suter Maschinenfabrik AG, CH-5703 Seon/Schweiz (English translation).

Product Catalog entitled "*Ducts and Fittings*," issued by Lindab by Lindab AB, Caswell Road, Brackmills Industrial Estate, Northampton NN4 OBR, England, 52 pp. first distributed in 1987.

Product Catalog entitled "*Circular Duct System*," issued by Lindab AB, 45 Caswell Road, Backmills Business Park, Northampton NN4 OPW, England, 42 pp., Mar. 1992.

Swedish-language Product Catalog entitled "*Veloduct Cirkulärt kanalsystem*," issued by Fläkt Veloduct AB, Prästgågen 15, Box 84, 153 00 Järna, Sweden, 29 pp., Jun. 1991.

Product literature entitled "*Spiro Bend Segment Cutting Machine I*" issued by Spiro Investment AG, Industriestrasse, CH-3178 Boesingen, Switzerland, 2 pp., first distributed c. 1978.

Product literature entitled "*Spiro bend Segment Cutting Machine II*" issued by Spiro Investment AG, Industriestrasse, CH-3178 Boesingen, Switzerland, 6 pp. first distributed c. 1980.

German-language Product literature entitled "*Kurven-schneidemaschine delta 2*," issued by Suter AG Seon, 5703 Seon/Schweiz, Switzerland, 6 pp., first distributed c. 1982.

Product literature entitled "*Seam Forming and Locking Machine beta 2*," issued by Suter AG Seon, 5703 Seon/Schweiz, Switzerland, 4 pp. first distributed c. 1982.

FIG.1

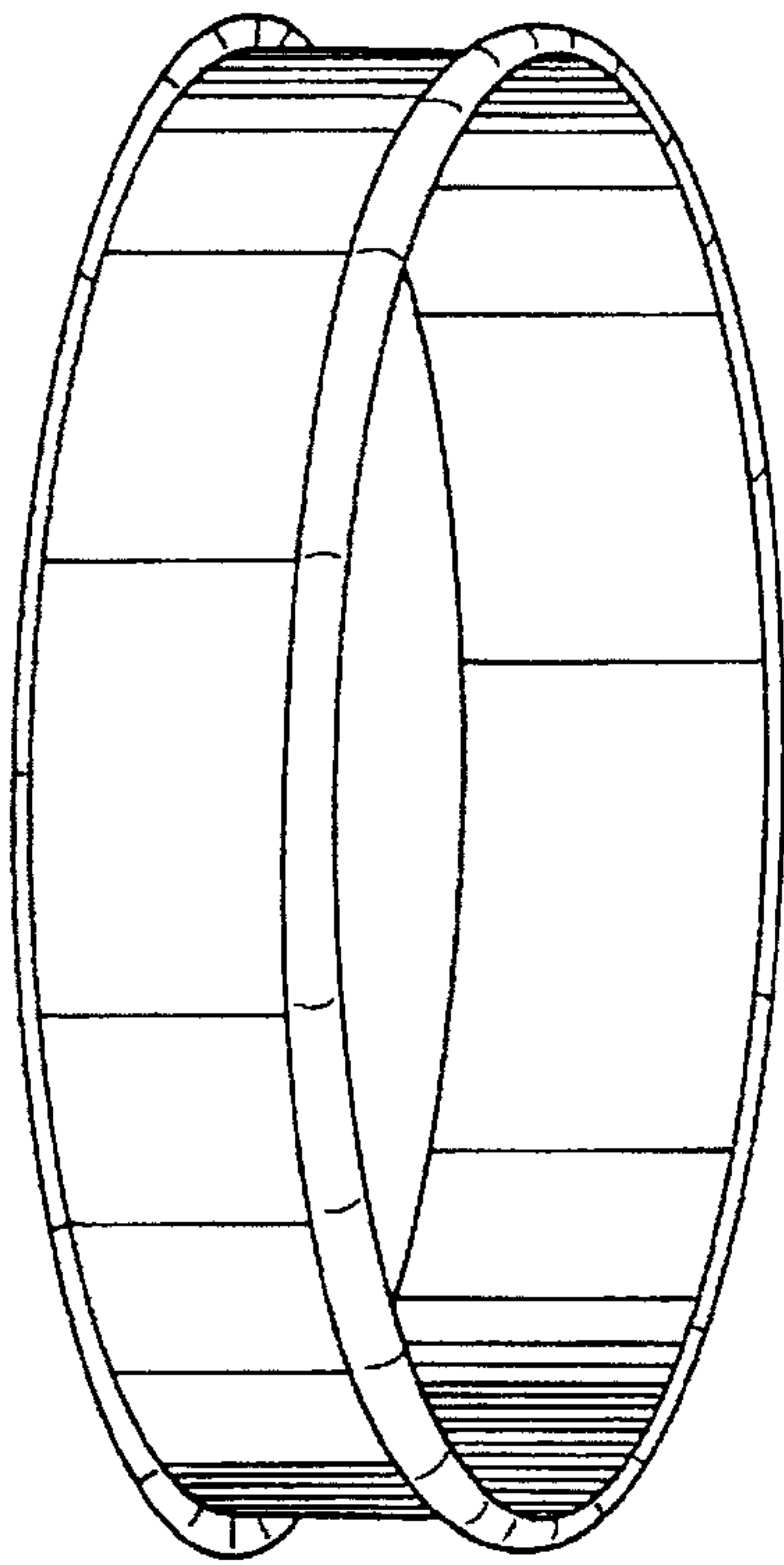


FIG.2

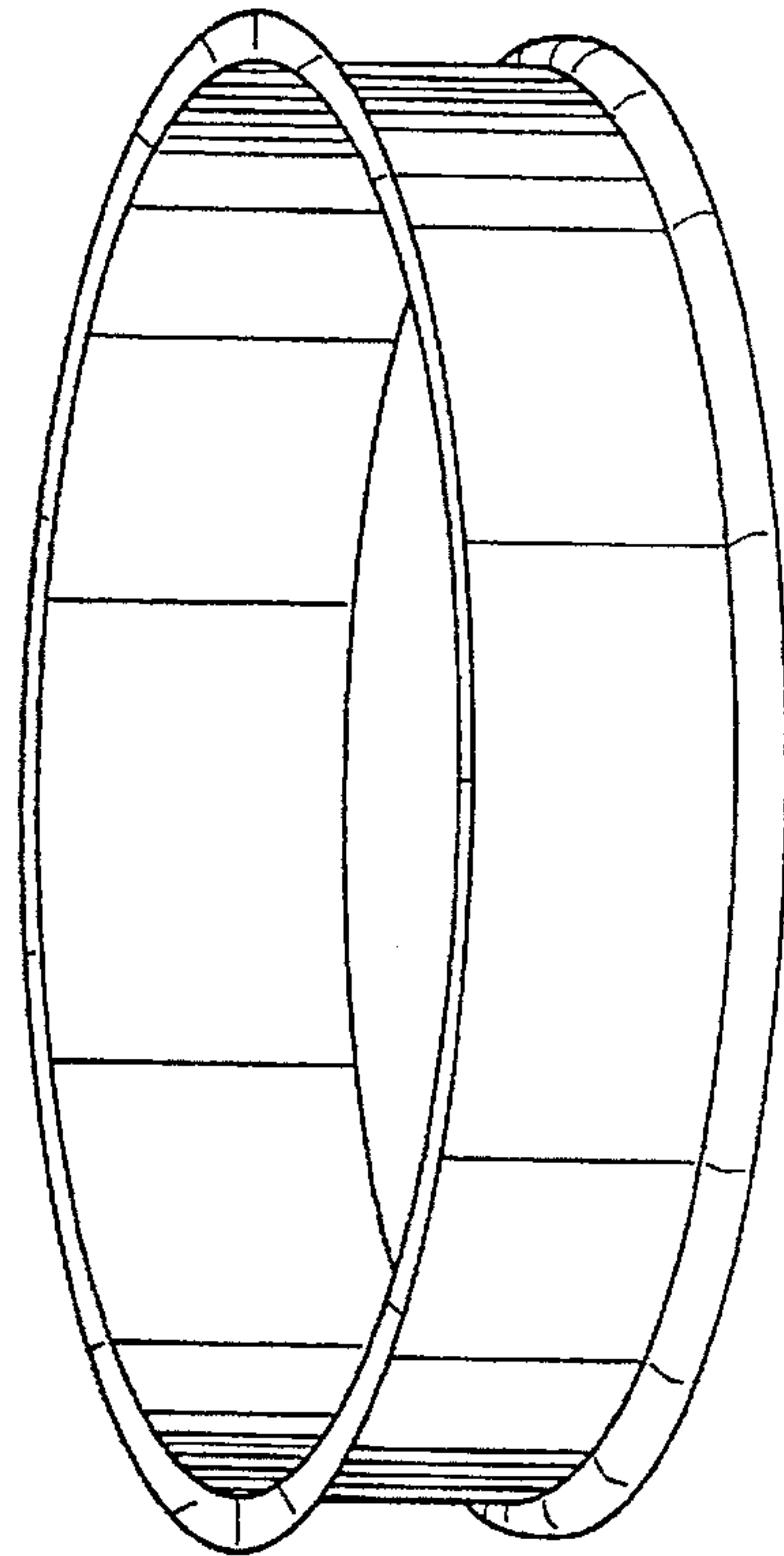


FIG.3

