



US00D383195S

United States Patent [19]

[11] Patent Number: **Des. 383,195**

Sondén et al.

[45] Date of Patent: *****Sep. 2, 1997**

[54] **CIRCULAR SLEEVE COUPLING**

4,050,703 9/1977 Tuvevsson et al. 277/207
4,288,111 9/1981 Feutz 285/183

[75] Inventors: **Carl-Gustaf Sondén**, Ängelholm;
Kenneth Lennartsson, Torekov, both
of Sweden

FOREIGN PATENT DOCUMENTS

[73] Assignee: **Lindab AB**, Bastad, Sweden

363743 8/1981 Austria .
13987 7/1973 Sweden .
19819 6/1975 Sweden .
17788 12/1975 Sweden .
382675 2/1976 Sweden .
25473 3/1979 Sweden .
25610 8/1979 Sweden .
26995 11/1979 Sweden .
26059 11/1979 Sweden .
840944 9/1984 Sweden .
880780 3/1988 Sweden .
1403744 3/1975 United Kingdom 285/183
1429220 8/1976 United Kingdom 285/183
21490040 6/1985 United Kingdom .

[*] Notice: The portion of the term of this patent
subsequent to Jul. 4, 2009, has been dis-
claimed.

[**] Term: **14 Years**

[21] Appl. No.: **6,947**

[22] Filed: **Apr. 9, 1993**

[30] **Foreign Application Priority Data**

Mar. 1, 1993 [DK] Denmark 0226 93

[51] LOC (6) Cl. **08-08**

[52] U.S. Cl. **D23/262**

[58] Field of Search D23/262, 263,
D23/264, 265; 285/424; 138/109; 277/207 A;
16/2, 108, 109

OTHER PUBLICATIONS

Pipes by Solpast AB disclosed in a catalogue entitled
"Svensk Byggekatalog Arp-87", issued by Svensk Byggta-
janst in 1987.

Product NPU disclosed in a catalogue entitled
"Ventilation -88", issued by Lindab AB in 1988.

(List continued on next page.)

[56] **References Cited**

U.S. PATENT DOCUMENTS

193,847 8/1877 Choate 285/183
210,367 11/1878 Stern et al. 285/183
244,720 7/1881 Hildebrand 285/183
409,631 8/1889 Cooper 285/183
735,644 9/1903 Wirtz 285/424
910,119 1/1909 Dunn 285/183
997,072 7/1911 Mares .
1,083,002 12/1913 Charles 285/424
2,392,220 1/1946 Bruhn et al. 285/211
2,482,558 9/1949 Scaringella 285/183
2,535,186 12/1950 Anderson 285/424 X
2,823,703 2/1958 Nusser, Jr. 285/183
3,111,922 11/1963 Hock 285/182
3,290,066 12/1966 Primich et al. 285/183
3,327,945 6/1967 Pfister 285/424 X
3,368,830 2/1968 French 277/207 A
4,007,941 2/1977 Stancati 277/207 A

Primary Examiner—Louis S. Zarfaz

Assistant Examiner—Eric Waterson

Attorney, Agent, or Firm—Weingarten, Schurgin, Gagnebin
& Hayes LLP

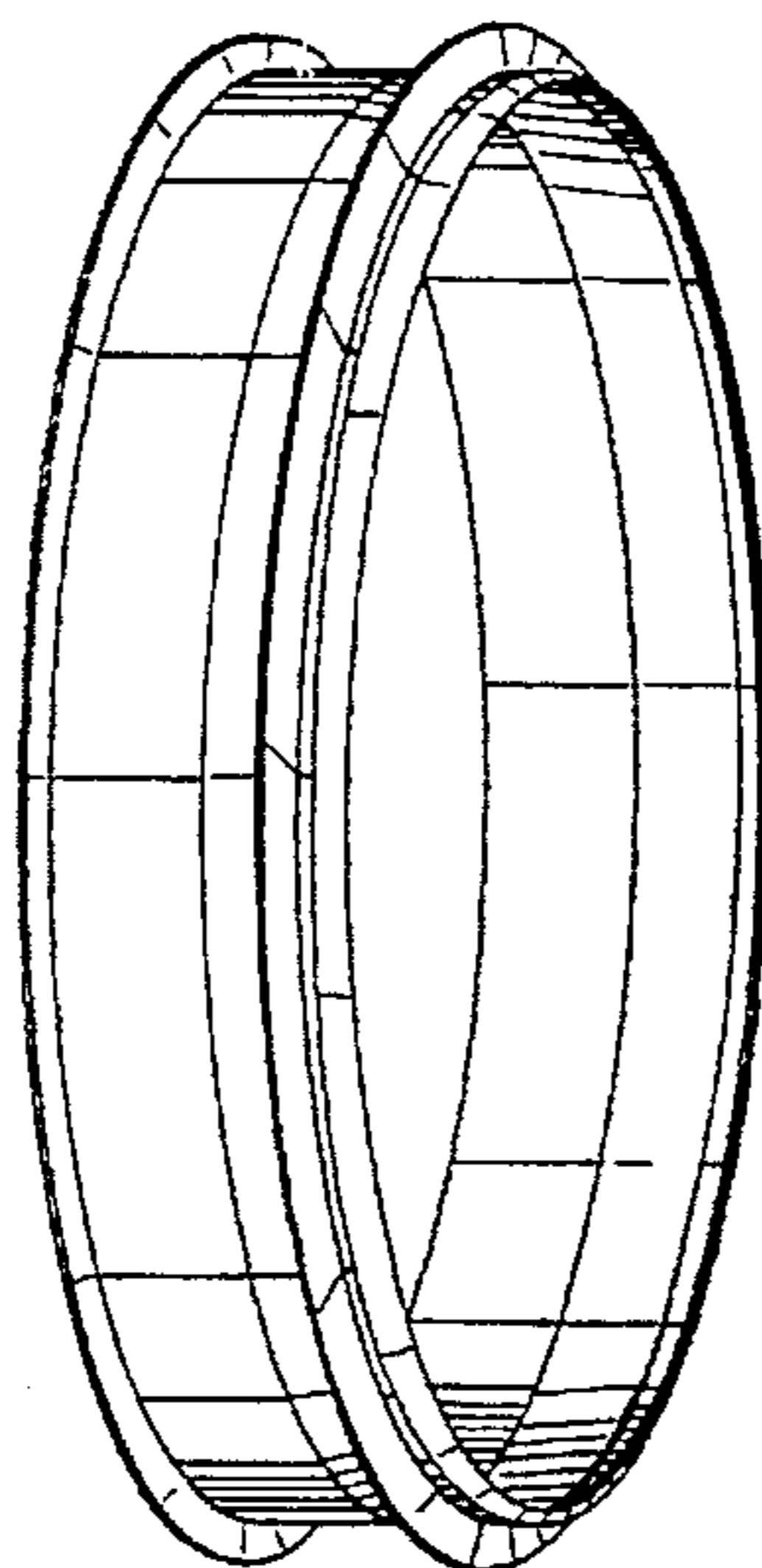
[57] **CLAIM**

The ornamental design for a circular sleeve coupling, as
shown and described.

DESCRIPTION

FIG. 1 is a perspective view of a circular sleeve coupling,
showing our new design, as seen obliquely from the front;
FIG. 2 is a perspective view of the sleeve coupling, as seen
obliquely from the back; and,
FIG. 3 is a side elevation of the sleeve coupling, the opposite
side being a mirror image thereto.

1 Claim, 1 Drawing Sheet



OTHER PUBLICATIONS

Product ESIU disclosed in a catalogue entitled "Ventilation -88", issued by Lindab AB in 1988.

Product IK disclosed in a catalogue entitled "Ventiltion -88", issued by Lindab AB in 1988.

General drawings No. J299102, produced by the Swedish company Flakt and dated Nov. 19, 1981 (811119).

Catalogue entitled "Kanalsystem VELODUCT", issued by Flakt in 1982.

CurveCutting Machine Delta 2 issued by Emil Suter Maschinenfabrik AG, CH-5703 Seon/Schweiz (English translation).

Product Catalog entitled "Ducts and Fittings," issued by Lindab AB, Caswell Road, Brackmills Industrial Estate, Northampton NN4 OBR, England, 52 pp., first distributed in 1987.

Product Catalog entiled "Circular Duct System," issued by Lindab AB, 45 Caswell Road, Brackmills Business Park, Northampton NN4 OPW, England, 42 pp. Mar. 1992.

Swedish-language Product Catalog entitled "VELODUCT Cirkulärt kanalsystem," issued by Fläkt VELODUCT AB, Prästgårdsvägen 15, Box 84, 153 00 Järna, Sweden, 29 pp., Jun. 1991.

Product literature entitled "SPIRO Bend Segment Cutting Machine I" issued by Spiro Investment AG, Industriestrasse, CH-3178 Boesingen, Switzerland, 2 pp., first distributed c. 1978.

Product literature entitled "SPIRO Bend Segment Cutting Machine II" issued by SPIRO Investment AG, Industriestrasse, CH-3178 Boesingen, Switzerland, 6 pp., first distributed c. 1980.

German-language Product literature entitled "Kurven-schneidemaschine delta 2," issued by SUTER AG SEON, 5703 Seon/Schweiz, Switzerland, 6 pp., first distributed c. 1982.

Product literature entitled "Seam Forming and Locking Machine beta 2," issued by SUTER AG SEON, 5703 Seon/Schweiz, Switzerland, 4 pp., first distributed c. 1982.

FIG. 1

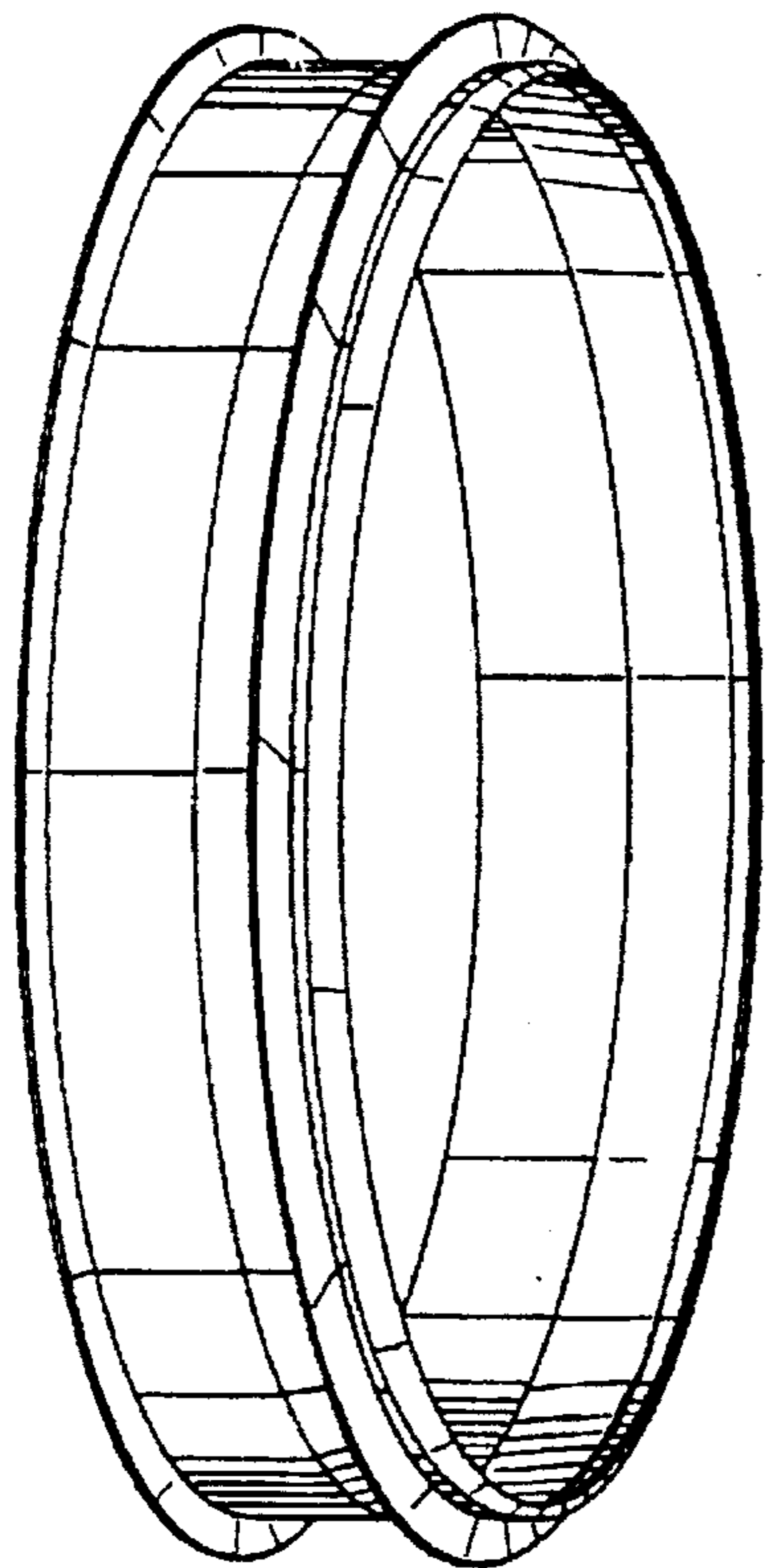


FIG. 2

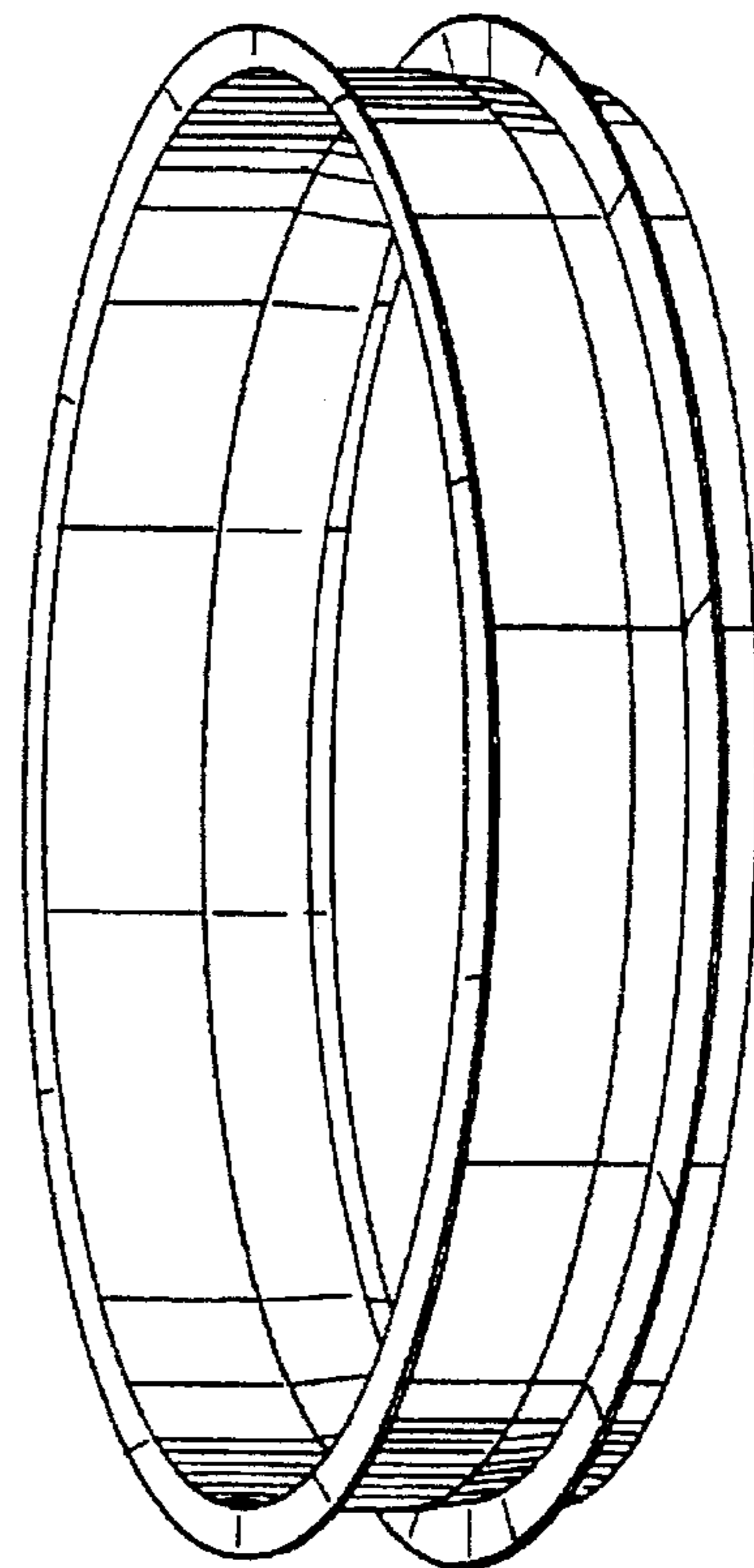


FIG. 3

