



US00D383194S

United States Patent [19]

Doughty et al.

[11] Patent Number: **Des. 383,194**

[45] Date of Patent: ****Sep. 2, 1997**

[54] FAUCET BASE

[75] Inventors: **Frederic C. Doughty**, S. Pasadena;
Darren M. Mark, Castaic, both of Calif.

[73] Assignee: **Emhart Inc.**, Newark, Del.

[**] Term: **14 Years**

[21] Appl. No.: **40,364**

[22] Filed: **Jun. 16, 1995**

[51] LOC (6) Cl. **23-01**

[52] U.S. Cl. **D23/249**

[58] Field of Search D8/352, 353; D23/255-258,
D23/233, 269, 238-243; 4/675, 678, 191-193;
137/801

[56] References Cited

U.S. PATENT DOCUMENTS

- D. 141,349 5/1945 Stanitz D23/243
- D. 141,988 8/1945 Zinkil et al. D23/241
- D. 143,695 1/1946 Zinkil .
- D. 182,867 5/1958 Young .
- D. 207,044 2/1967 Hurwitz .
- D. 247,844 5/1978 Palm, Jr. D8/352
- D. 269,110 5/1983 Logsdon D23/269
- D. 276,259 11/1984 Miller .
- D. 280,008 8/1985 Miller et al. .

- D. 284,993 8/1986 Yost .
- D. 293,362 12/1987 Hill et al. .
- D. 296,461 6/1988 Yost .
- D. 321,750 11/1991 Spangler .
- D. 349,948 8/1994 Bollenbacher .
- D. 356,856 3/1995 Wang .
- D. 359,342 6/1995 Doughty et al. .
- D. 360,679 7/1995 Doughty et al. .
- D. 361,827 8/1995 Doughty et al. D23/241
- D. 363,974 11/1995 Doughty et al. D23/241

Primary Examiner—Louis S. Zarfes
Assistant Examiner—Frank Martinez
Attorney, Agent, or Firm—J. Bruce Hoofnagle

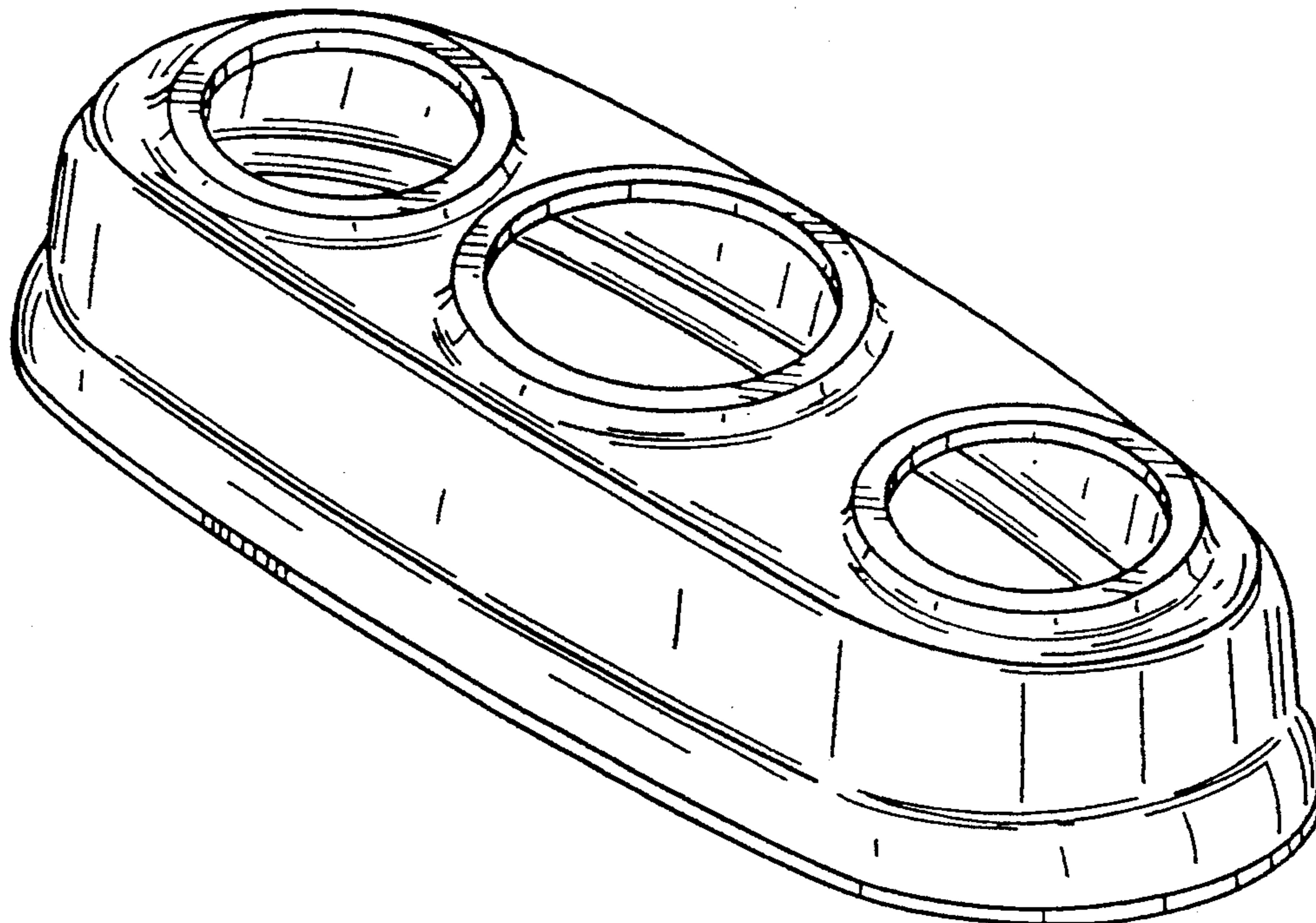
[57] CLAIM

The ornamental design for faucet base, as shown and described.

DESCRIPTION

FIG. 1 is a front view of our new design of a faucet base, a rear view thereof being a mirror image of the front view; FIG. 2 is a top view of our new design of the faucet base; FIG. 3 is a bottom view of our new design of the faucet base; FIG. 4 is a left side view of our new design of the faucet base, a right side view thereof being a mirror image of the left side view; and, FIG. 5 is a perspective view of our new design of the faucet base.

1 Claim, 2 Drawing Sheets



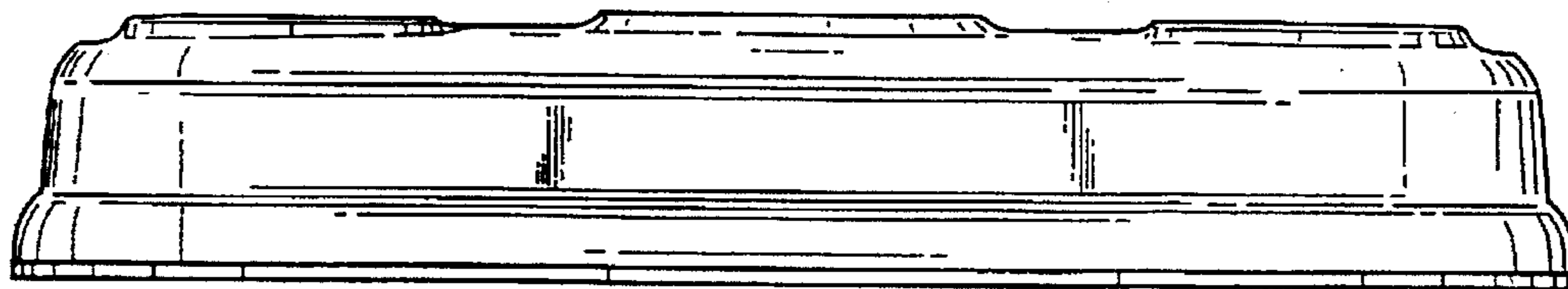


FIG. 1

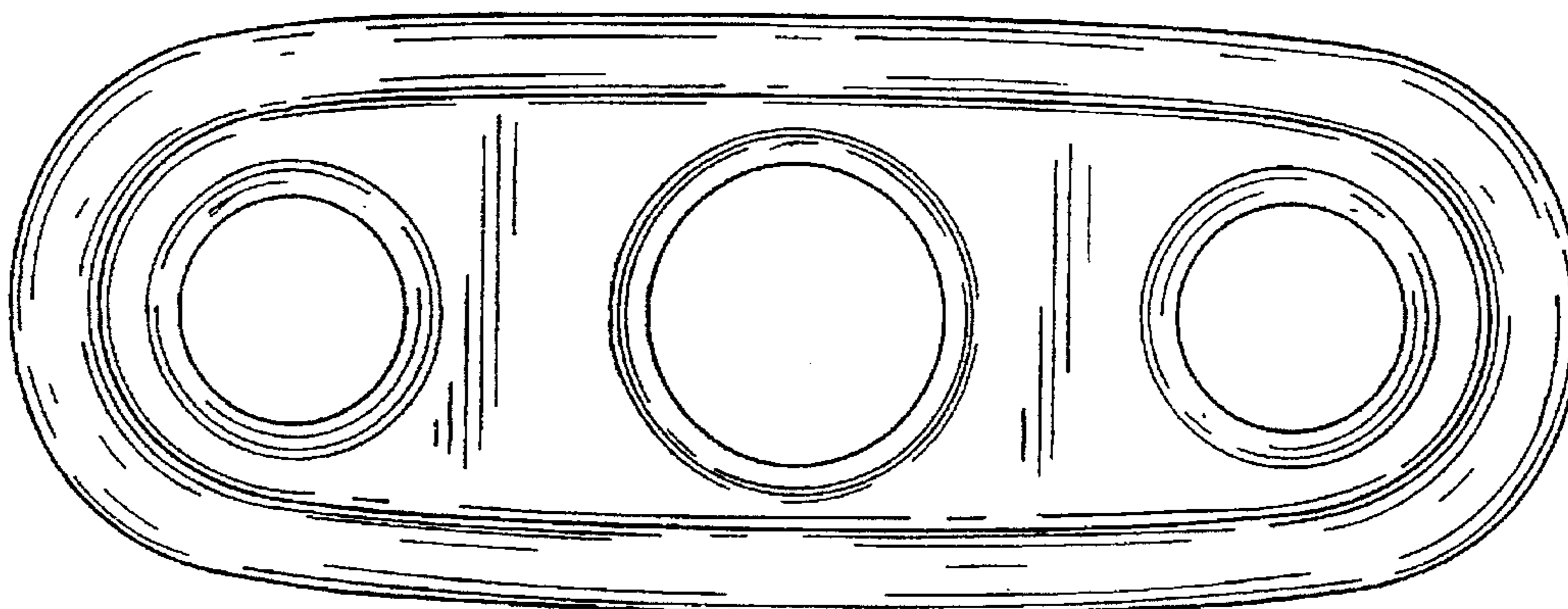


FIG. 2

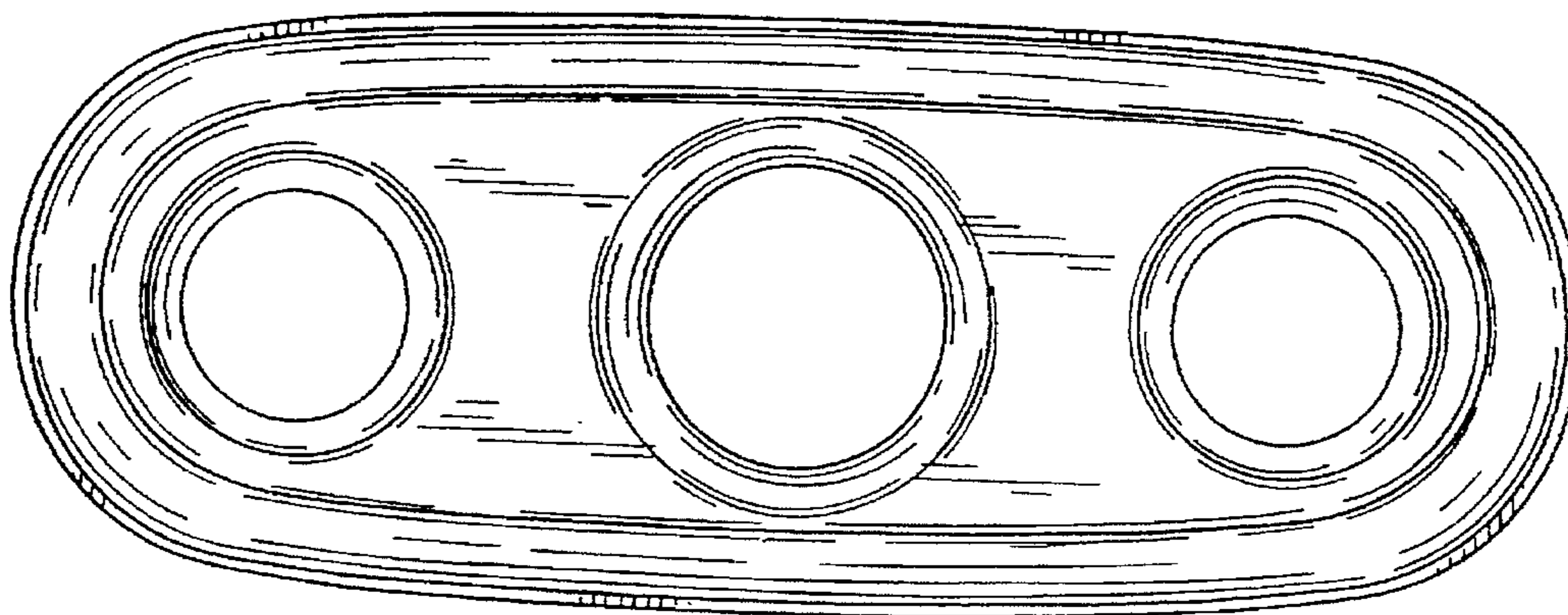


FIG. 3

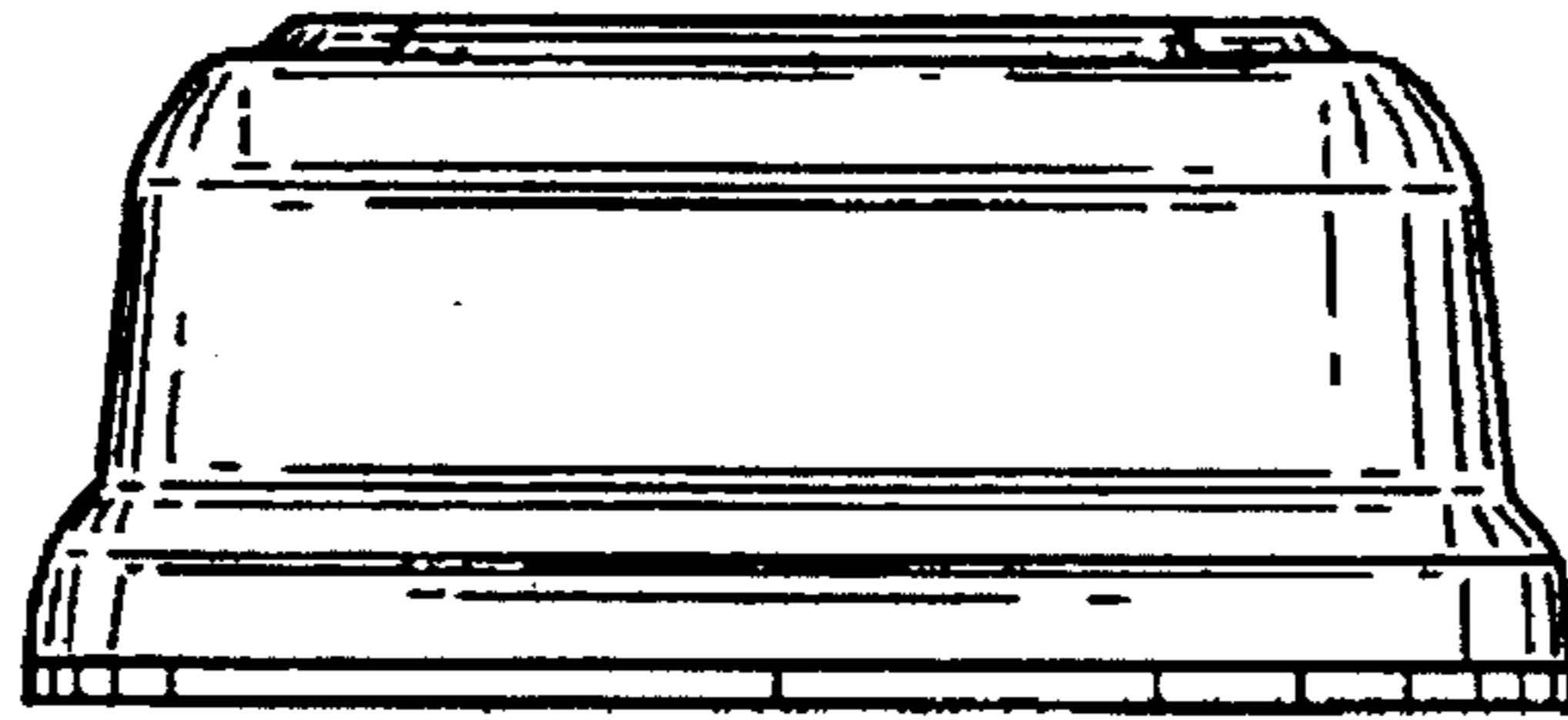


FIG. 4

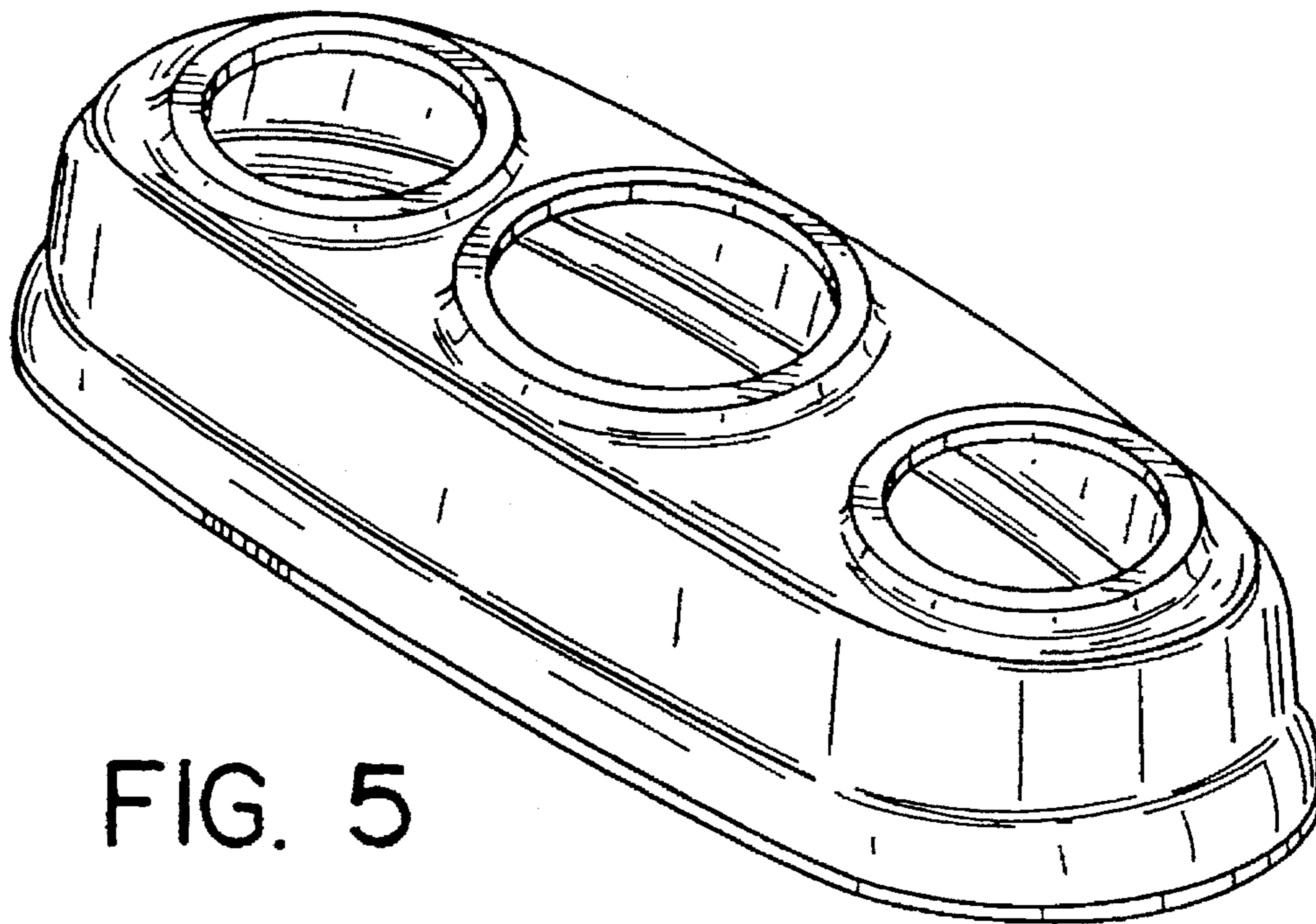


FIG. 5