



US00D383192S

# United States Patent [19] Johnson

[11] Patent Number: Des. 383,192

[45] Date of Patent: \*\*Sep. 2, 1997

[54] WATER FILTER

[75] Inventor: Marilyn M. Johnson, Wauwatosa, Wis.

[73] Assignee: Regal Ware, Inc., Kewaskum, Wis.

[\*\*] Term: 14 Years

[21] Appl. No.: 41,100

[22] Filed: Jul. 6, 1995

[51] LOC (6) Cl. .... 23-01

[52] U.S. Cl. .... D23/209

[58] Field of Search ..... D23/200, 207-210;  
210/435, 497.01, 451, 452, 448, 459-461

[56] **References Cited**

**U.S. PATENT DOCUMENTS**

D. 224,105	7/1972	Turturro .....	D23/209
D. 240,128	6/1976	Stephens et al. ....	D23/207
D. 277,305	1/1985	Grube .....	D23/209
D. 338,705	8/1993	Spokoyny .....	D23/209
4,686,037	8/1987	Lang .....	210/460
5,076,942	12/1991	Goodman et al. ....	210/448

Primary Examiner—A. Hugo Word  
Assistant Examiner—Robin V. Taylor  
Attorney, Agent, or Firm—Wheeler Kromholz & Manion

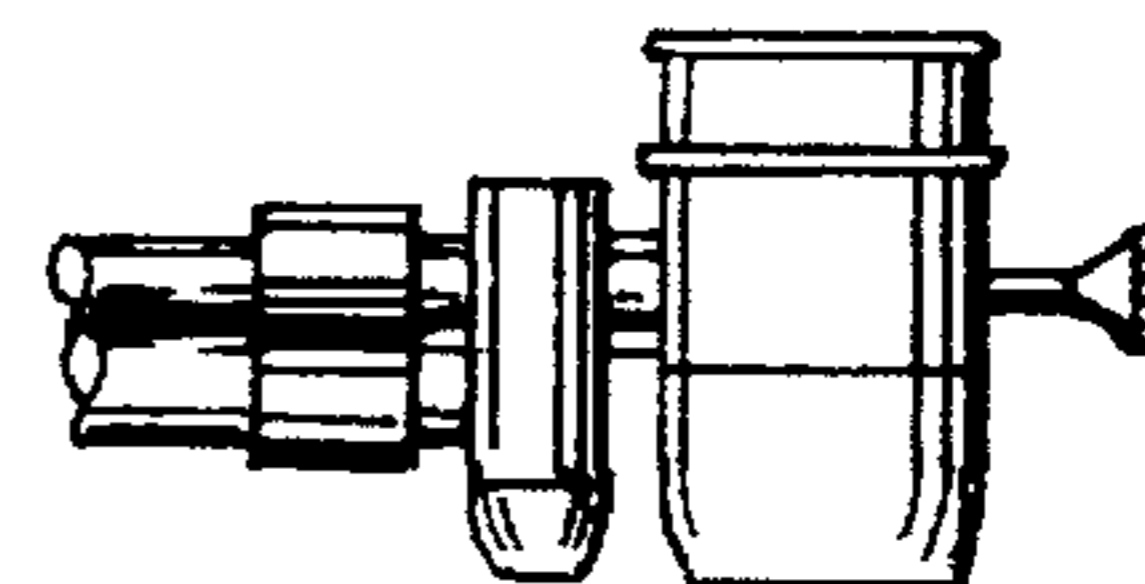
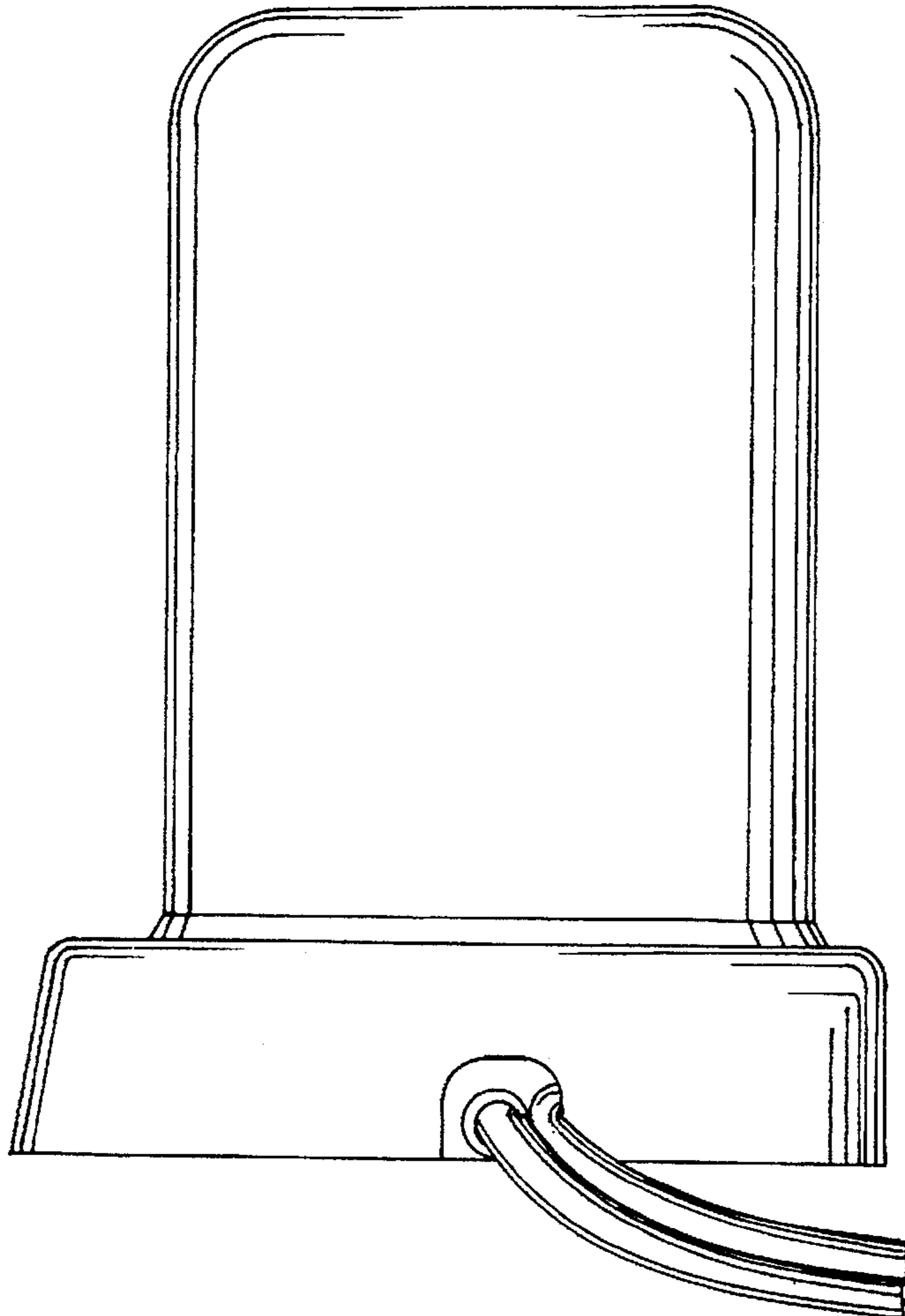
[57] **CLAIM**

The ornamental design for a water filter, as shown and described.

**DESCRIPTION**

FIG. 1 is a front elevational view showing a water filter of my design;  
FIG. 2 is a rear elevational view of the water filter of my design;  
FIG. 3 is a right side elevational view of the water filter of my design;  
FIG. 4 is a left side elevational view of the water filter of my design;  
FIG. 5 is a top plan of water filter of my design; and,  
FIG. 6 is a bottom plan view of the water filter of my design.  
The cords are shown broken away to indicate indeterminate length.

1 Claim, 6 Drawing Sheets



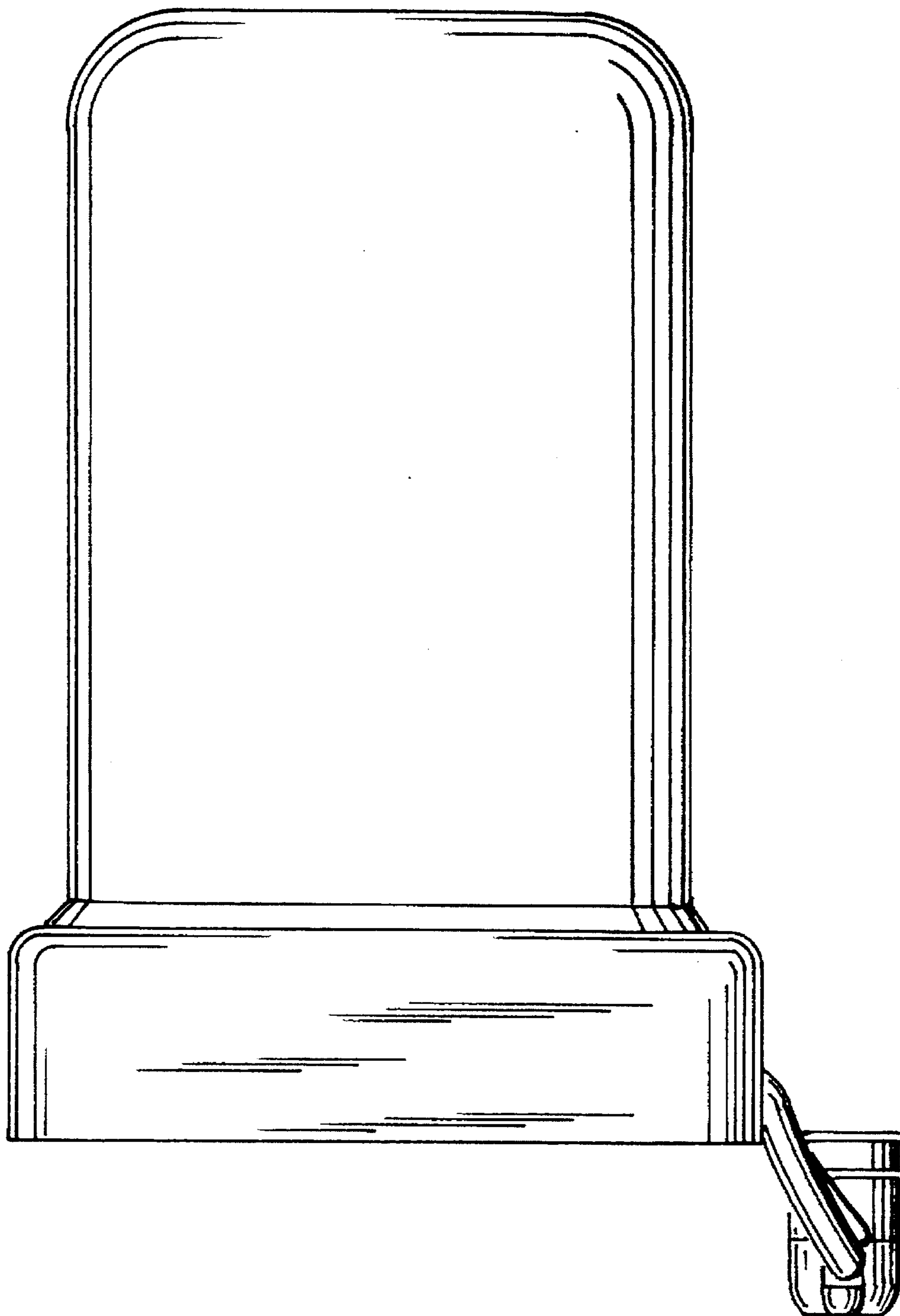


FIG. 1

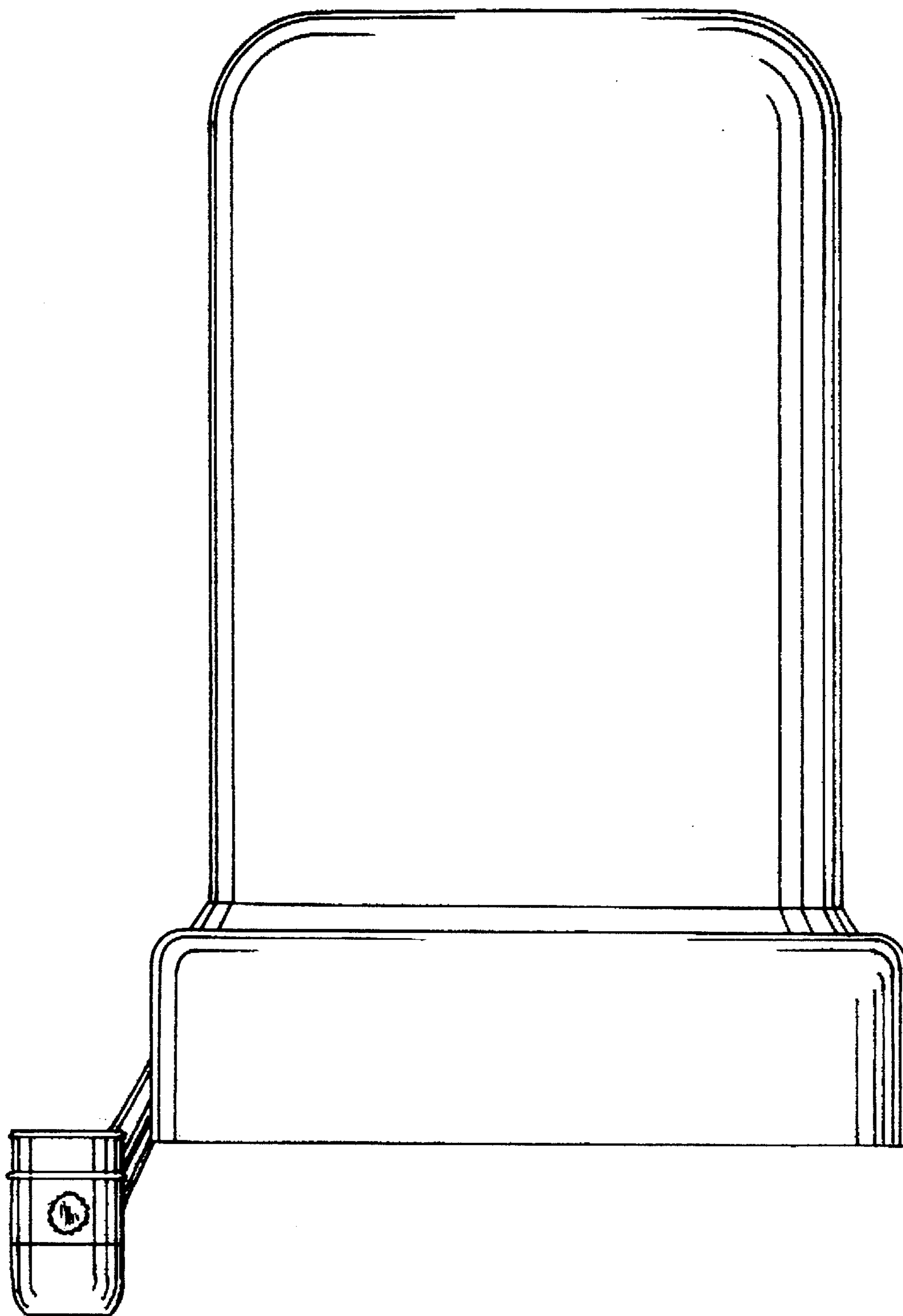


FIG. 2

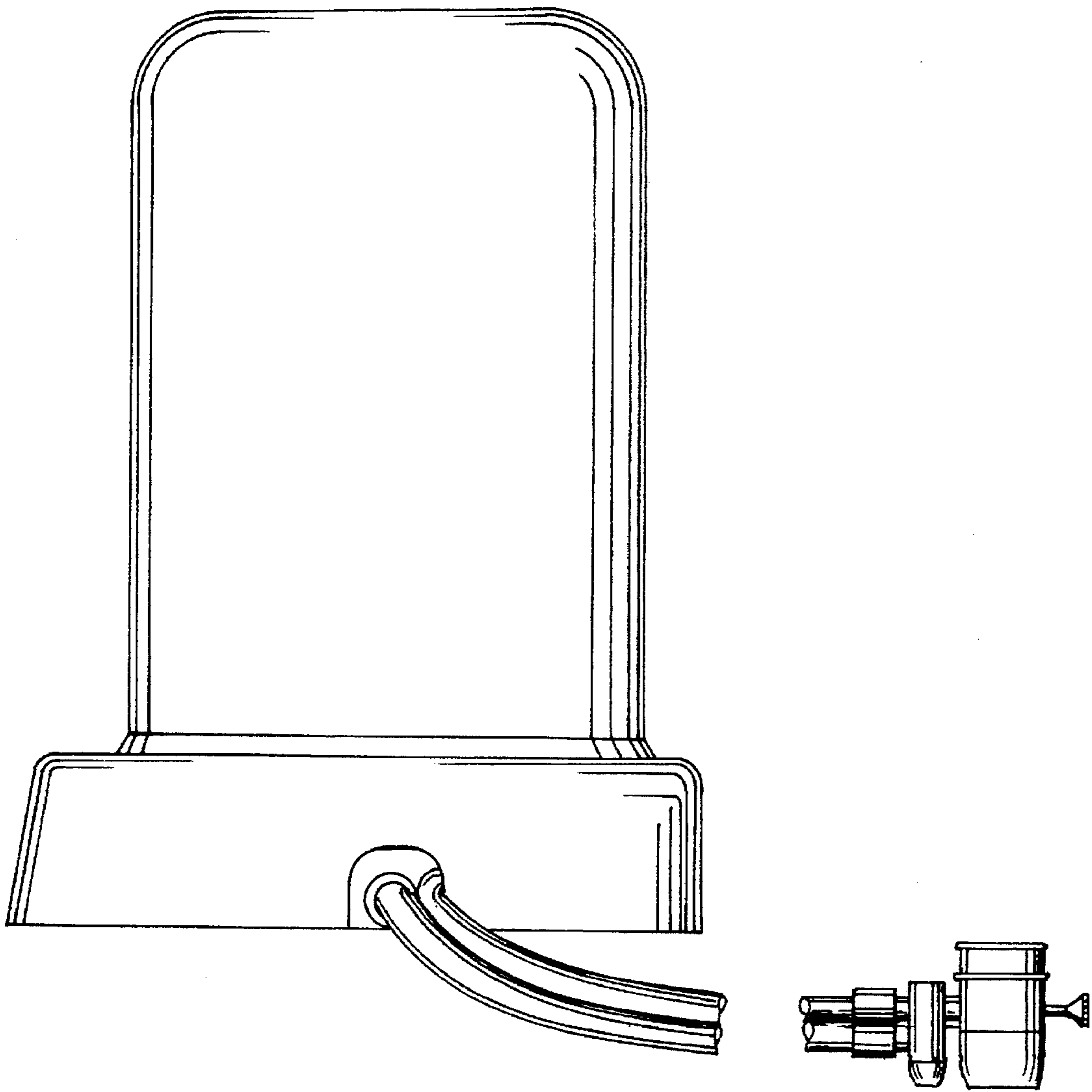


FIG. 3

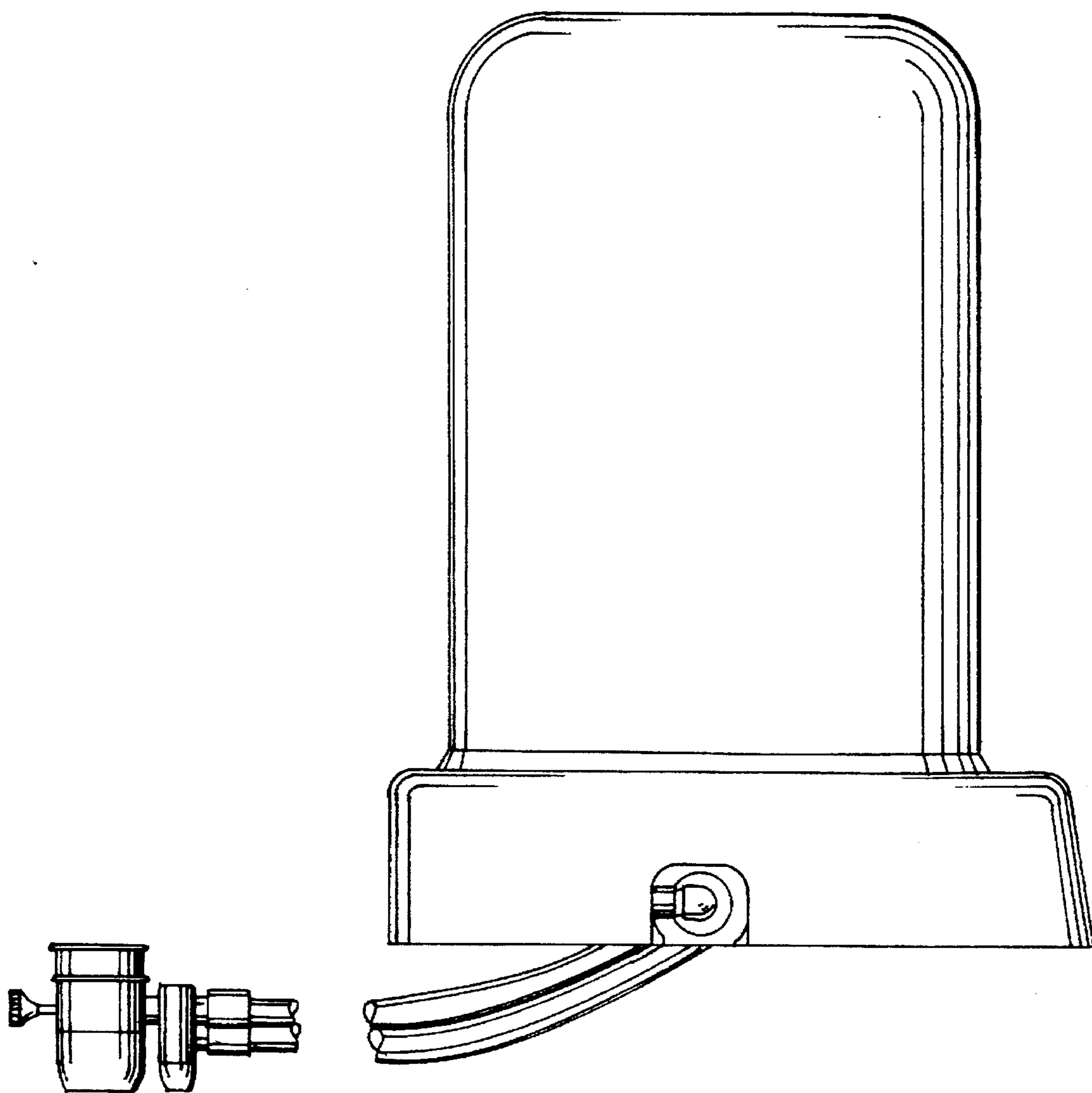


FIG. 4

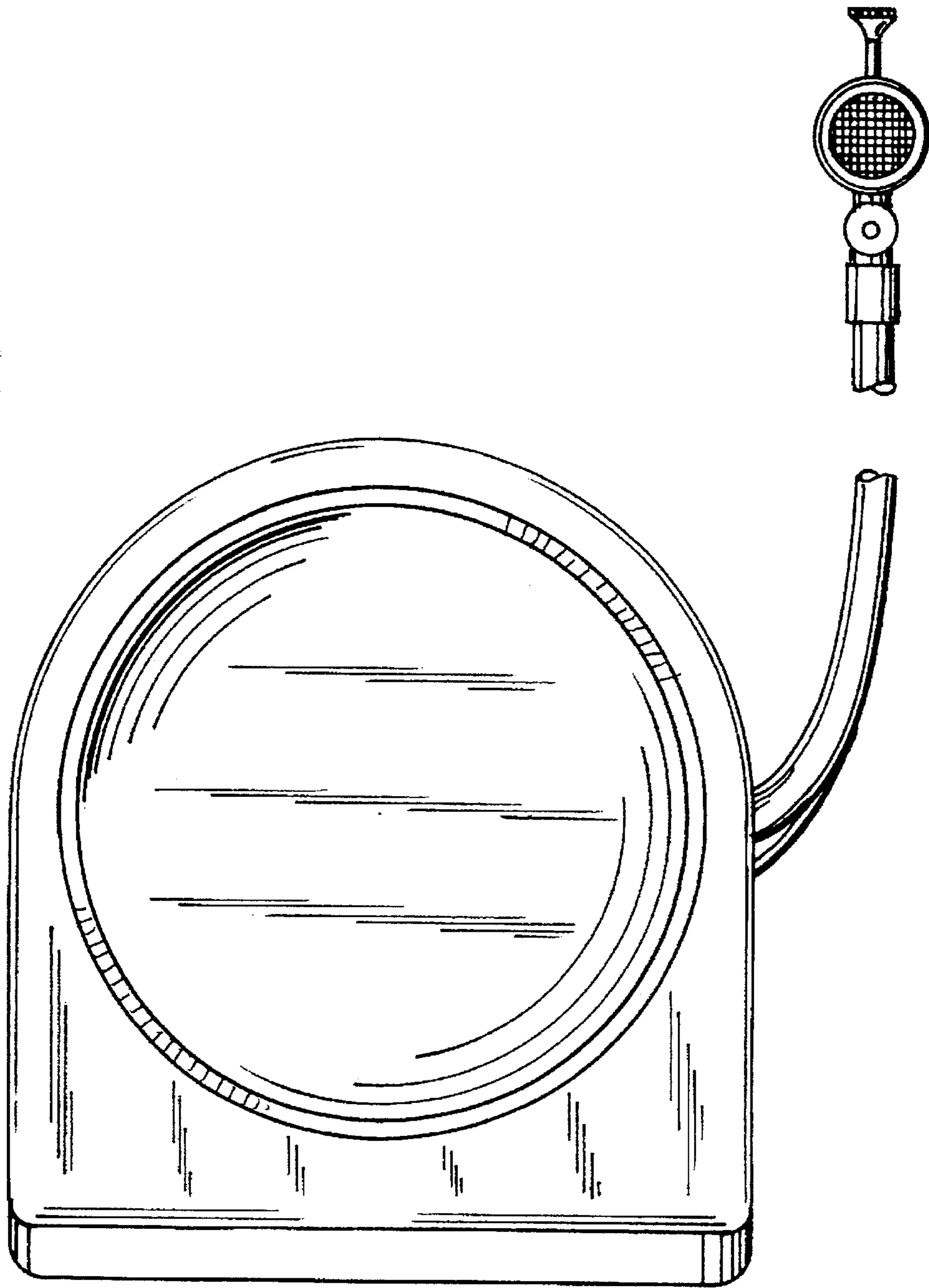


FIG. 5

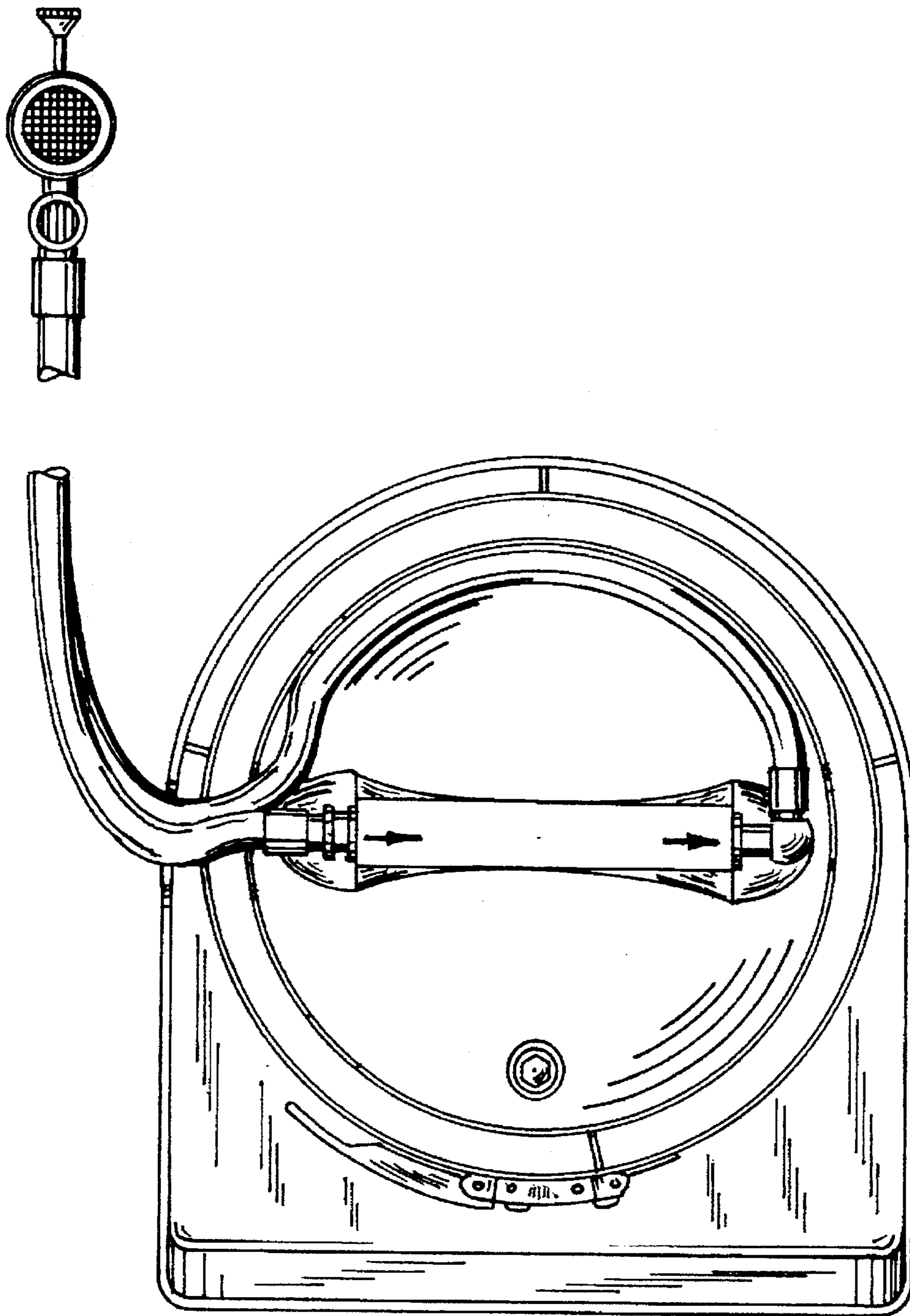


FIG. 6