



US00D383189S

# United States Patent [19]

**Ignelzi**

[11] Patent Number: **Des. 383,189**

[45] Date of Patent: **\*\*Sep. 2, 1997**

- [54] **BOW SIGHT**
- [76] Inventor: **Paul Francis Ignelzi**, 14-44 150 St.,  
Whitestone, N.Y. 11357
- [\*\*] Term: **14 Years**
- [21] Appl. No.: **38,475**
- [22] Filed: **May 5, 1995**
- [51] LOC (6) Cl. .... **22-01**
- [52] U.S. Cl. .... **D22/107; D22/100**
- [58] Field of Search ..... **D22/100, 107,**  
**D22/115, 199; 33/233, 241, 245, 252, 257,**  
**265, 284; 42/90, 100; 124/23.1, 25.6, 86,**  
**87**

4,915,088	4/1990	Powers	.....	33/265	X
4,999,919	3/1991	Sparkman	.....	33/265	
5,481,807	1/1996	Ploot	.....	33/265	

### OTHER PUBLICATIONS

*Bowhunters Discount Warehouse, Inc;* "Catalog Spring Edition" 1995, front cover and p. 2 & pp. 89-102.

*Primary Examiner*—Louis S. Zarfes  
*Assistant Examiner*—Monica A. Weingart

### [57] CLAIM

The ornamental design for a bow sight, as shown.

### DESCRIPTION

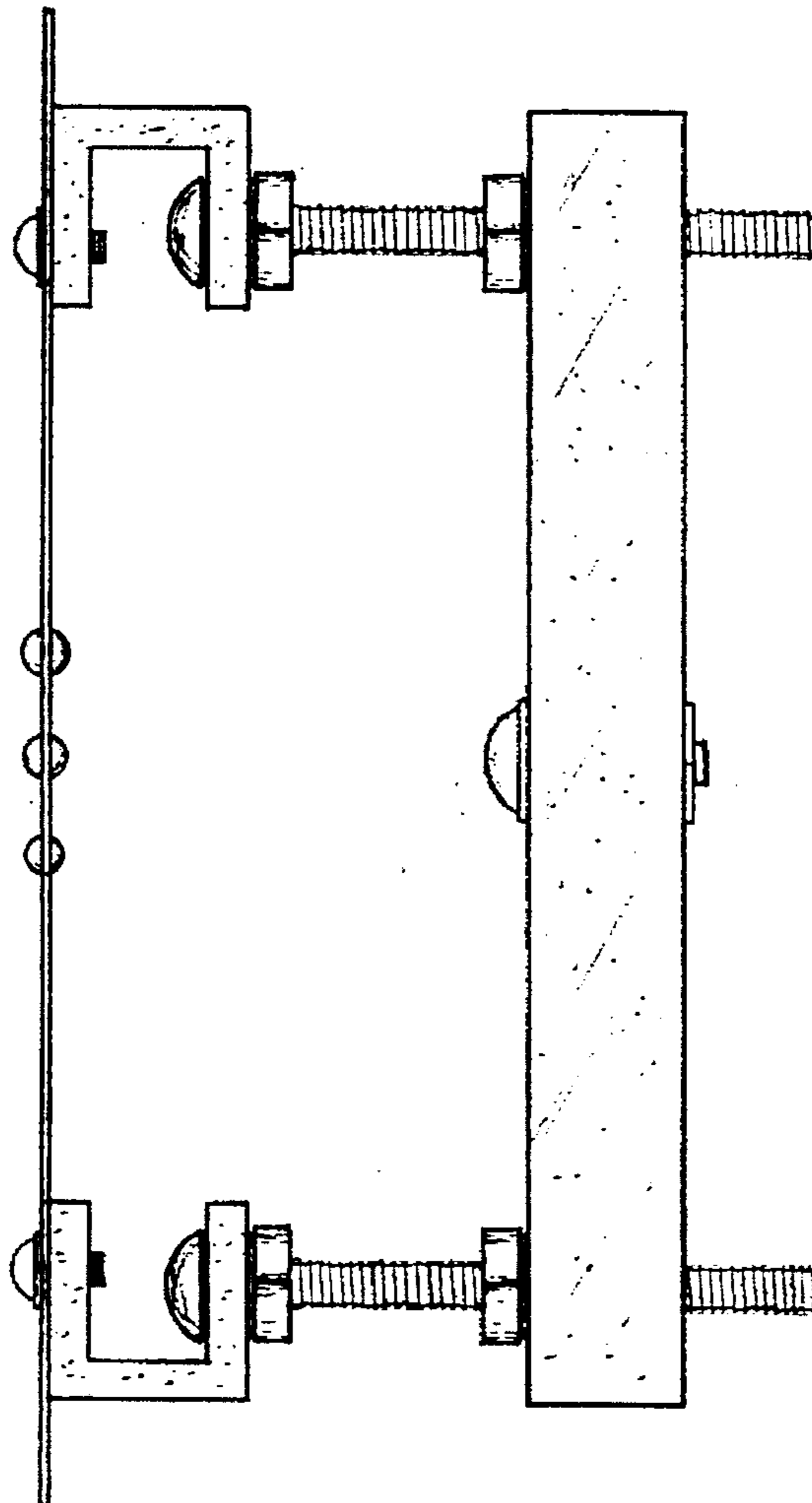
FIG. 1 is a right side elevational view of a bow sight showing my new design;  
 FIG. 2 is a rear elevational view thereof;  
 FIG. 3 is a left side elevational view thereof;  
 FIG. 4 is a front plan view thereof;  
 FIG. 5 is a top plan view thereof; and,  
 FIG. 6 is a bottom plan view thereof.

**1 Claim, 6 Drawing Sheets**

### [56] References Cited

#### U.S. PATENT DOCUMENTS

D. 362,708	9/1995	Brown	.....	D22/107
3,455,027	7/1969	Perkins	.....	124/87 X
4,136,462	1/1979	Topel	.....	33/265
4,757,614	7/1988	Kudlacek	.....	33/265



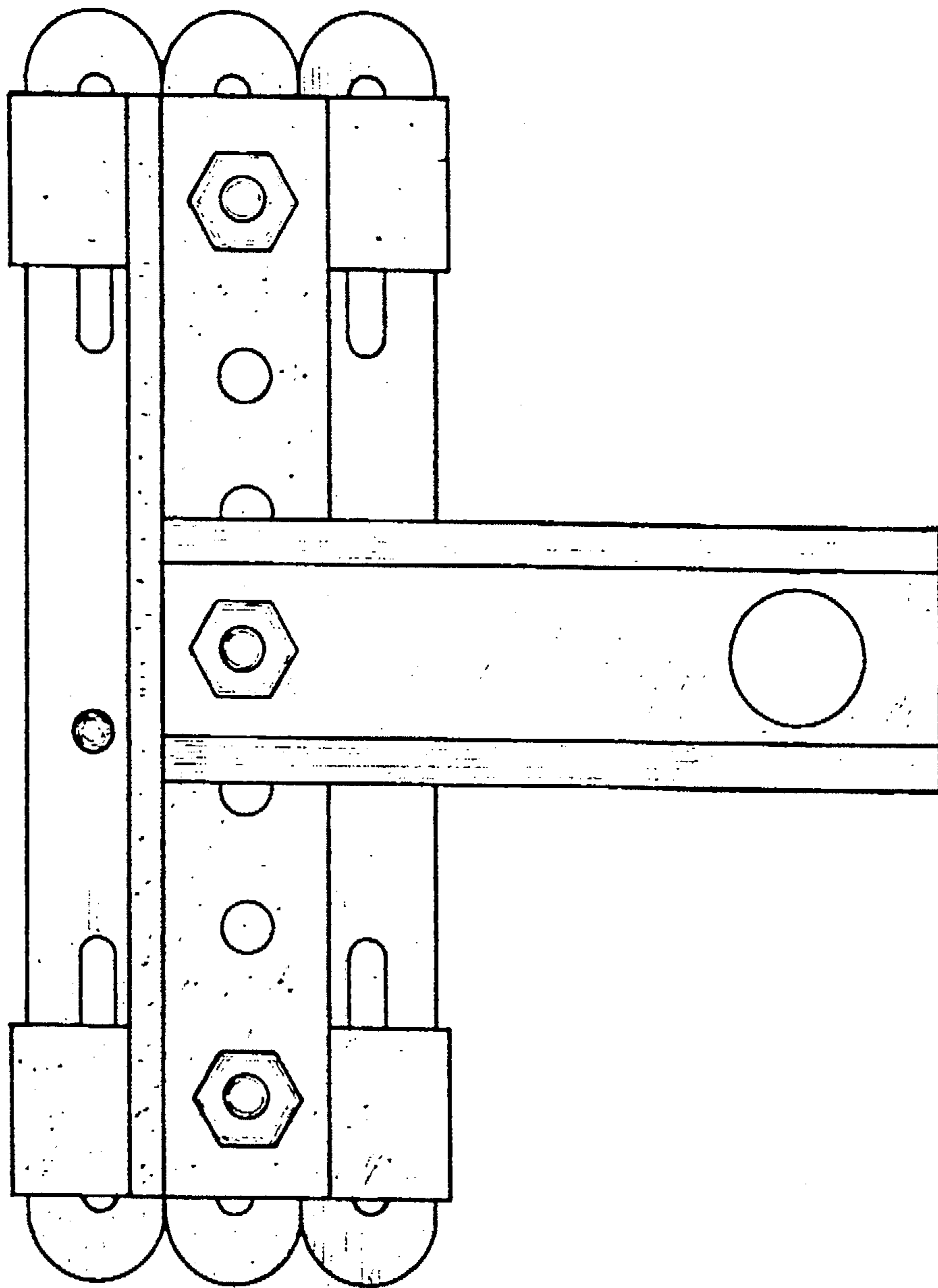


FIG. 1

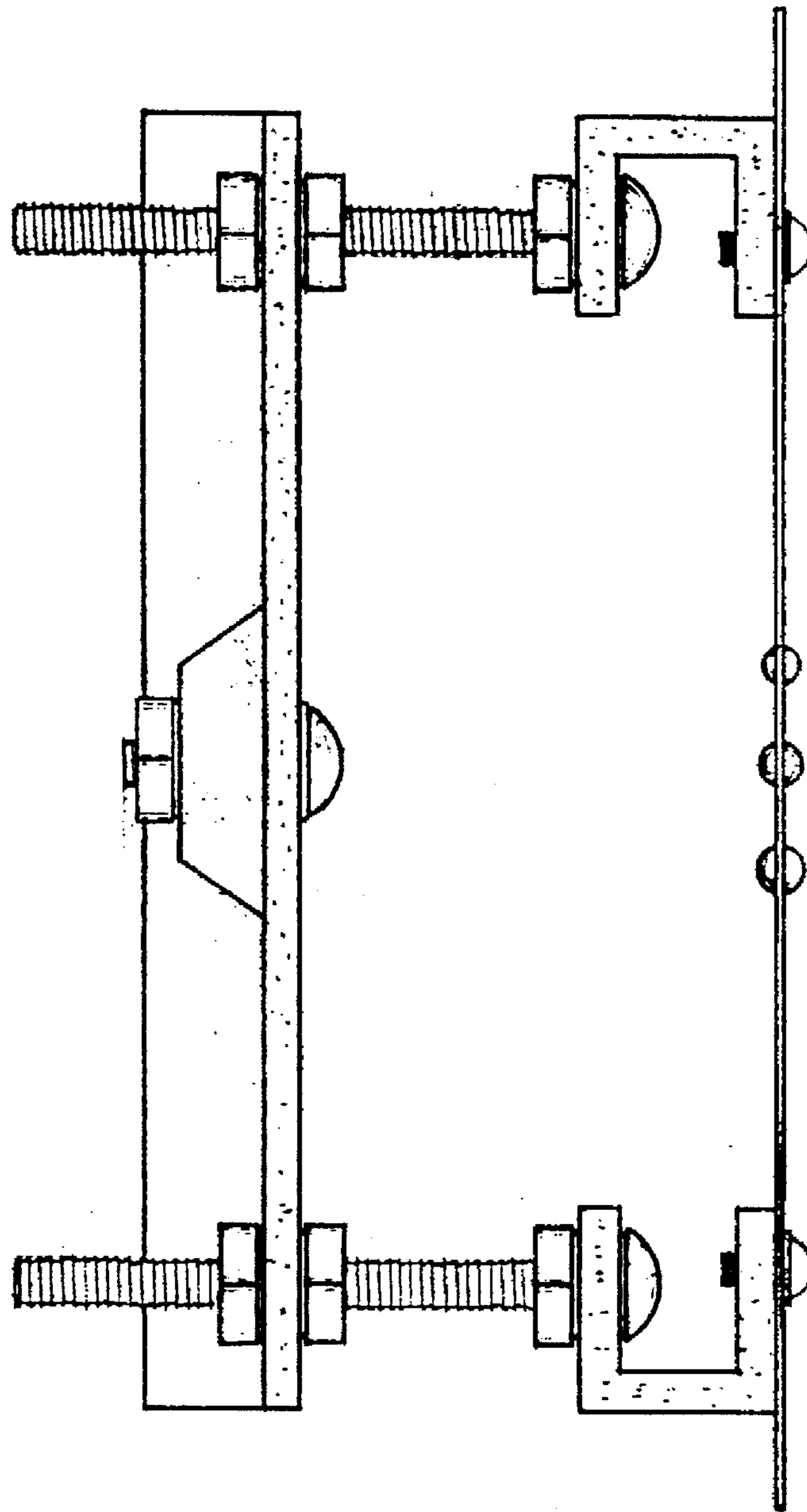


FIG. 2

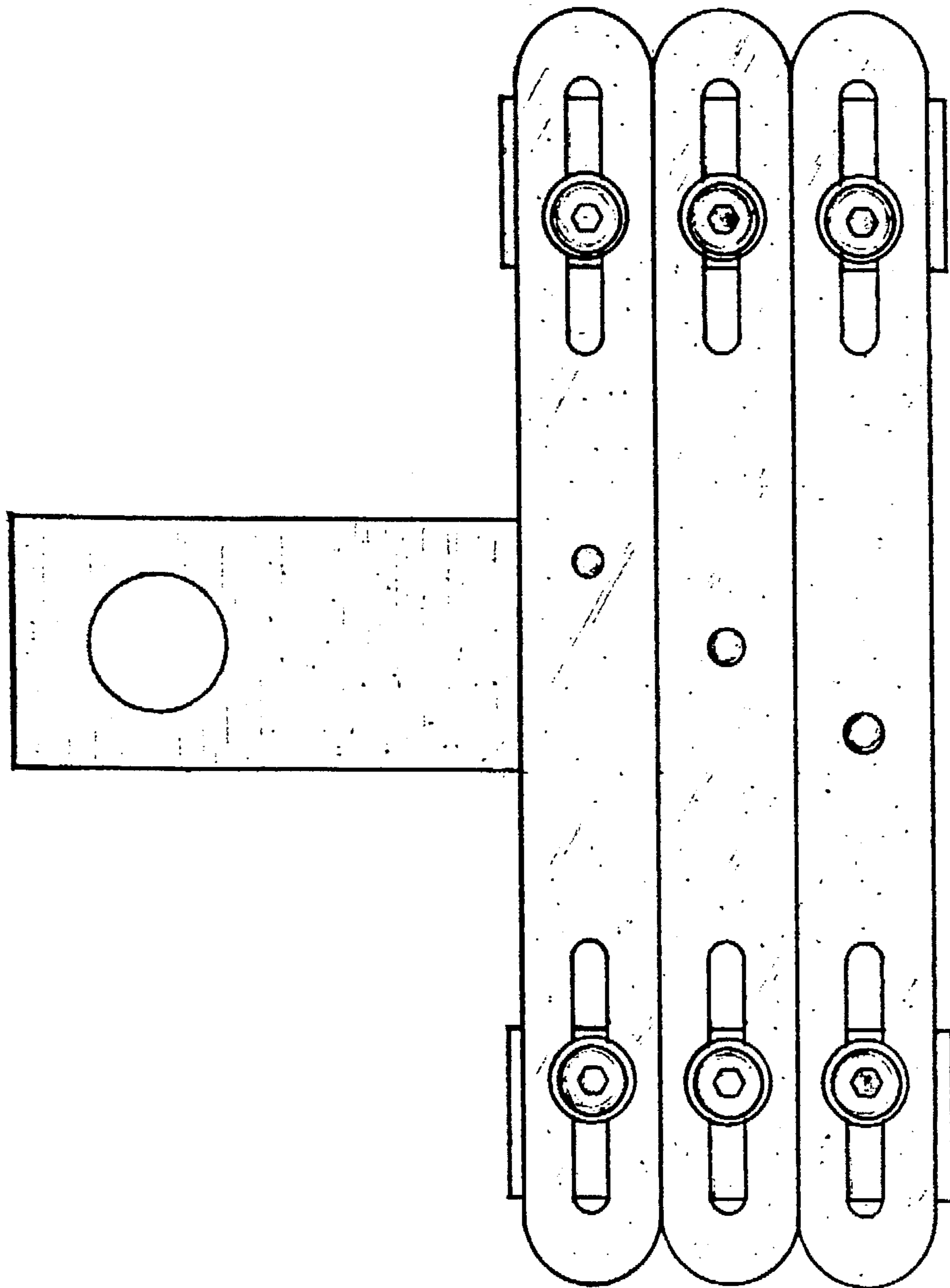


FIG. 3

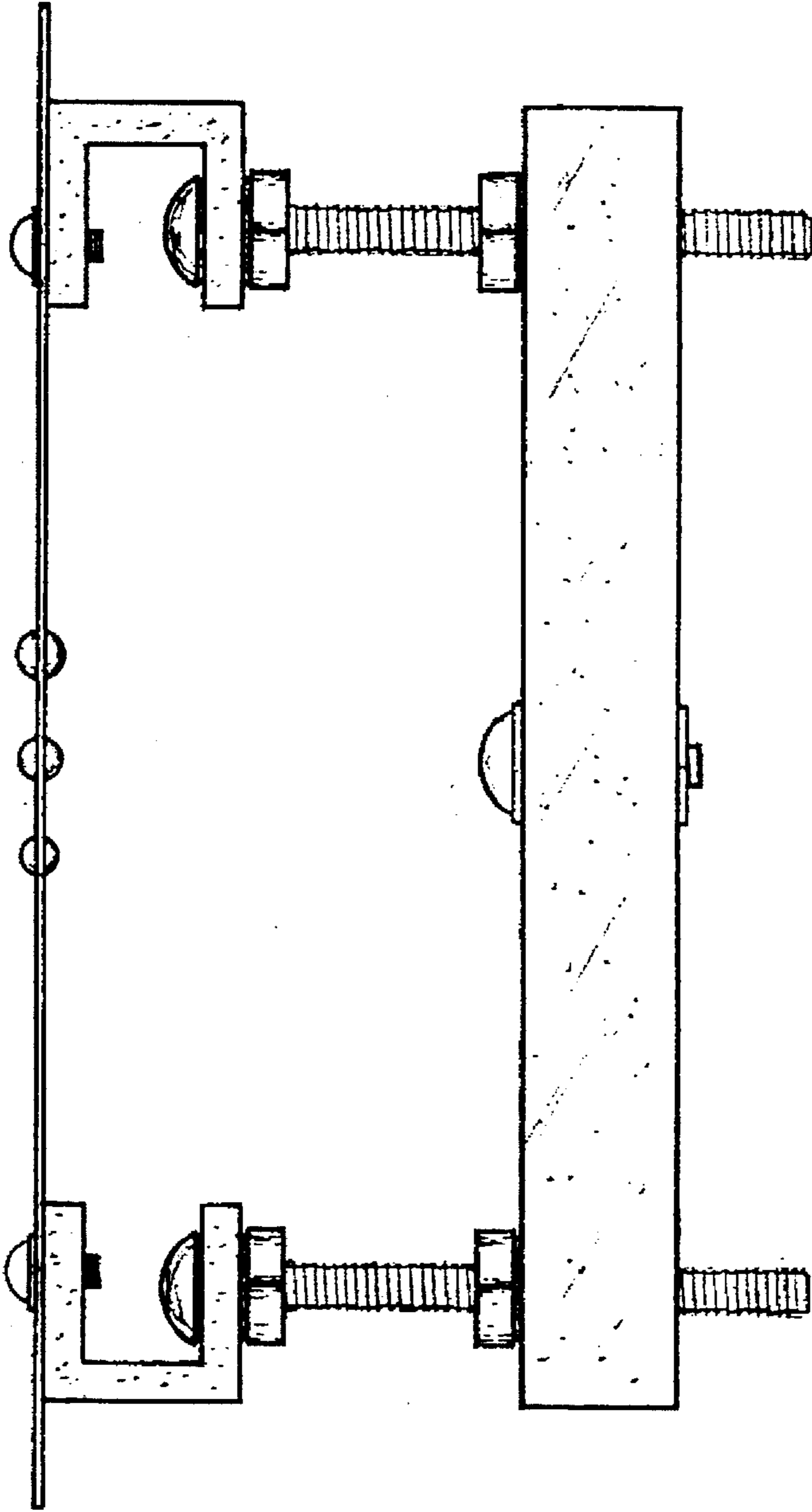


FIG. 4

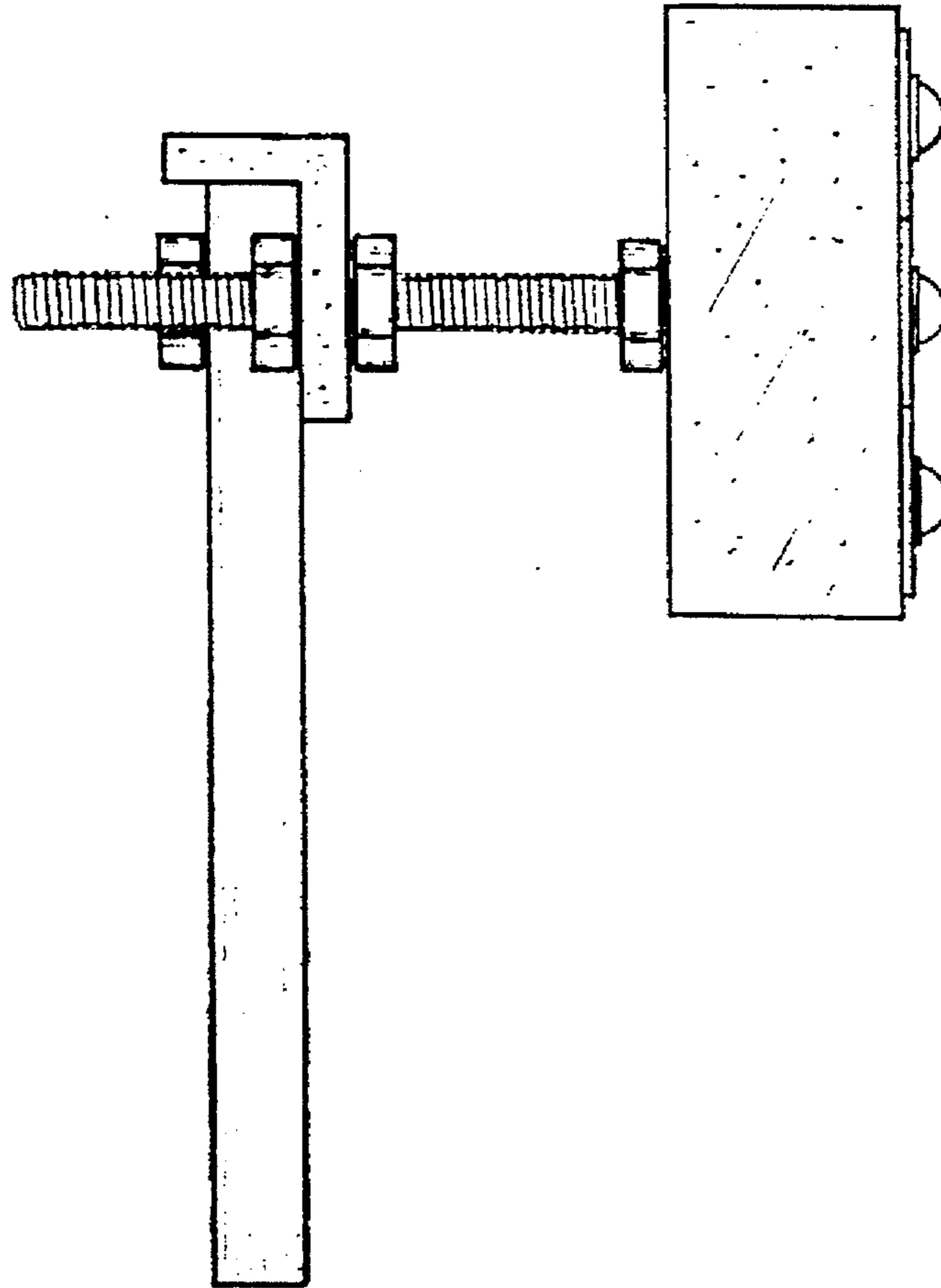


FIG. 5

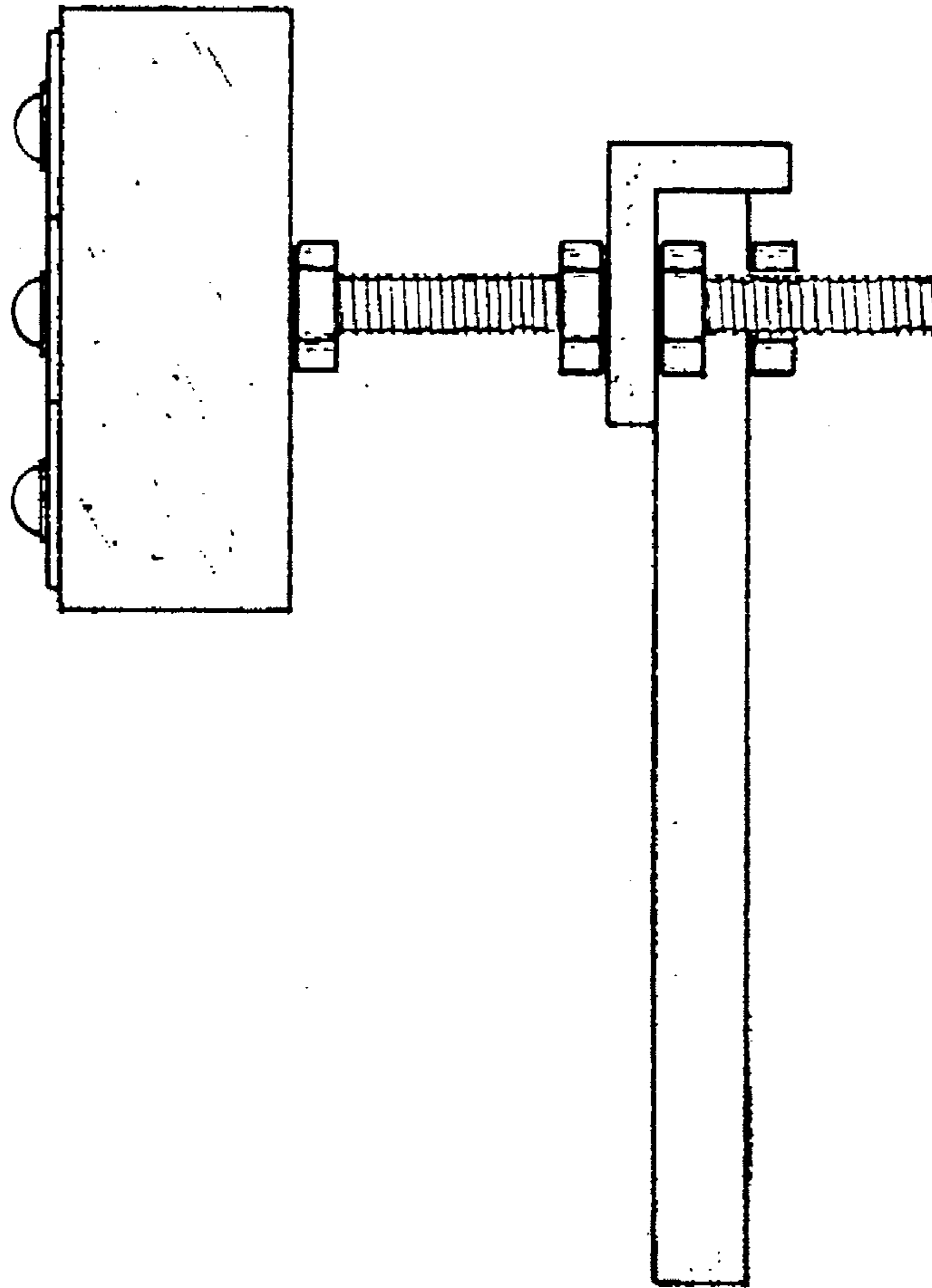


FIG. 6