



US00D383186S

United States Patent [19] van Huystee

[11] Patent Number: Des. 383,186

[45] Date of Patent: **Sep. 2, 1997

[54] SUPPORT ARCH FOR A SLIDE

2,012,195 8/1935 Husted 472/116
4,369,965 1/1983 Ahrens 272/56.5

[75] Inventor: Maarten van Huystee, East Aurora, N.Y.

OTHER PUBLICATIONS

[73] Assignee: Fisher-Price, Inc., East Aurora, N.Y.

Step Two: A Step Beyond, 1994, "First Climber", p. 4.
Step Two: A Step Beyond, 1994, "Combo Climber", p. 5.
Step Two: A Step Beyond, 1994, "Slide Center", p. 25.
Step Two: A Step Beyond, 1994, "Mushroom Climber", p. 28.
Step Two: A Step Beyond, 1994, "Big Climber", p. 29.
Today's Kids Wish Book, 1994, "Play'N Fold Clubhouse", p. 3.
Today's Kids: Better Toys, by Design, 1994, "Play Slide", p. 19.
Little Tikes: Toys That Last, 1994, "Evergreen Big Slide", p. 56.
Little Tikes: Toys That Last, 1994, "Big Slide", p. 58.
Little Tikes: Toys That Last, 1994, "Play Slide", p. 58.
Little Tikes: Toys That Last 1994, "Tike Treehouse", p. 58.
Flexible Flyer Company, "Playside", p. 3.

[**] Term: 14 Years

[21] Appl. No.: 47,849

[22] Filed: Dec. 13, 1995

Related U.S. Application Data

[62] Division of Ser. No. 27,414, Aug. 18, 1994, Pat. No. Des. 367,309.

[51] LOC (6) Cl. 21-03

[52] U.S. Cl. D21/240

[58] Field of Search D21/240-245,
D21/114, 109; 482/35, 36; 446/476, 487

[56] References Cited

U.S. PATENT DOCUMENTS

D. 83,716	3/1931	Berman	D21/244
D. 207,105	3/1967	Gale	D21/244
D. 244,704	6/1977	Smyrn et al.	D34/5 M
D. 273,503	4/1984	Mariol	D21/244 X
D. 294,378	2/1988	Spirk, Jr. et al.	D21/244
D. 303,826	10/1989	Aker	D21/244
D. 328,326	7/1992	Kuan	D21/244
D. 330,743	11/1992	Mercer	D21/244
D. 334,610	4/1993	Aker	D21/244
D. 340,965	11/1993	Lee	D21/244
D. 343,438	1/1994	Fish, Jr.	D21/244
D. 344,773	3/1994	Aker et al.	D21/244
D. 353,866	12/1994	Houry et al.	D21/240
D. 353,867	12/1994	Houry et al.	D21/240
D. 354,108	1/1995	Houry et al.	D21/240
D. 358,441	5/1995	Houry et al.	D21/240
D. 358,620	5/1995	Hill et al.	D21/244 X
D. 367,308	2/1996	Kelley et al.	D21/240
D. 370,959	6/1996	Houry	D21/240 X

Primary Examiner—Terry A. Wallace
Assistant Examiner—Mitchell I. Siegel
Attorney, Agent, or Firm—Howrey & Simon; C. Scott Talbot

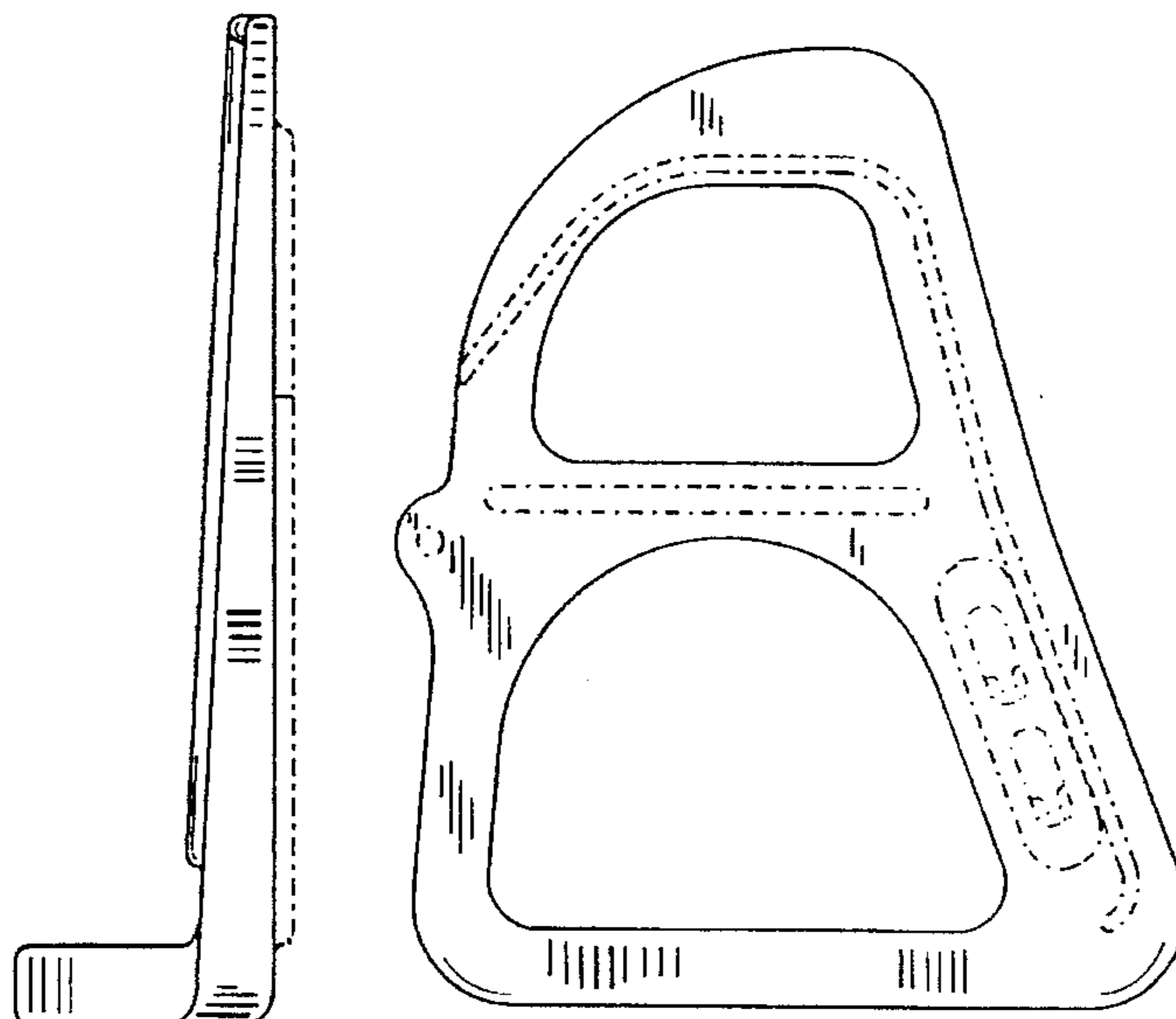
[57] CLAIM

The ornamental design for a support arch for a slide, as shown and described.

DESCRIPTION

FIG. 1 is a front elevational view of a support arch for a slide showing my new design;
FIG. 2 is a rear elevational view thereof;
FIG. 3 is a top plan view thereof;
FIG. 4 is a bottom plan view thereof;
FIG. 5 is a right side elevational view thereof; and,
FIG. 6 is a left side elevational view thereof.
The broken line disclosure is for illustrative purposes only and forms no part of the claimed design.

1 Claim, 3 Drawing Sheets



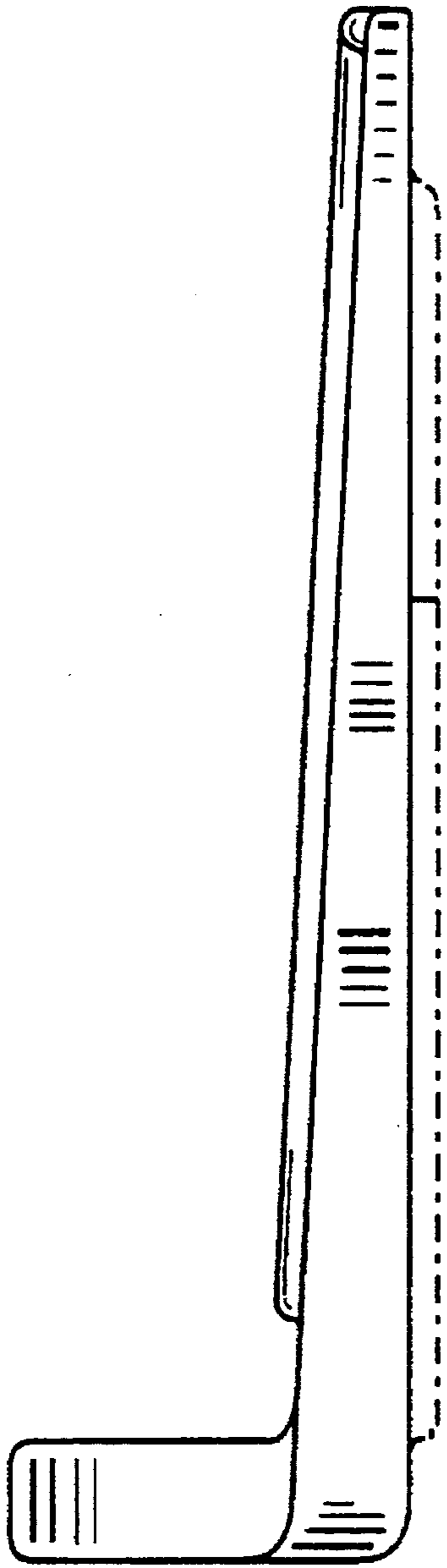


FIG. 1

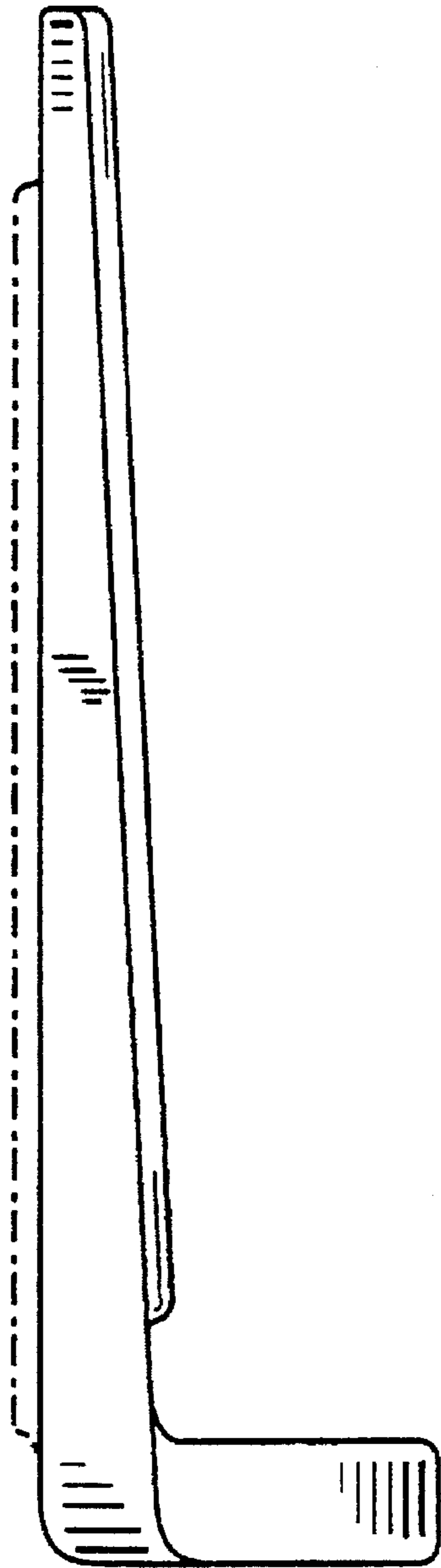


FIG. 2

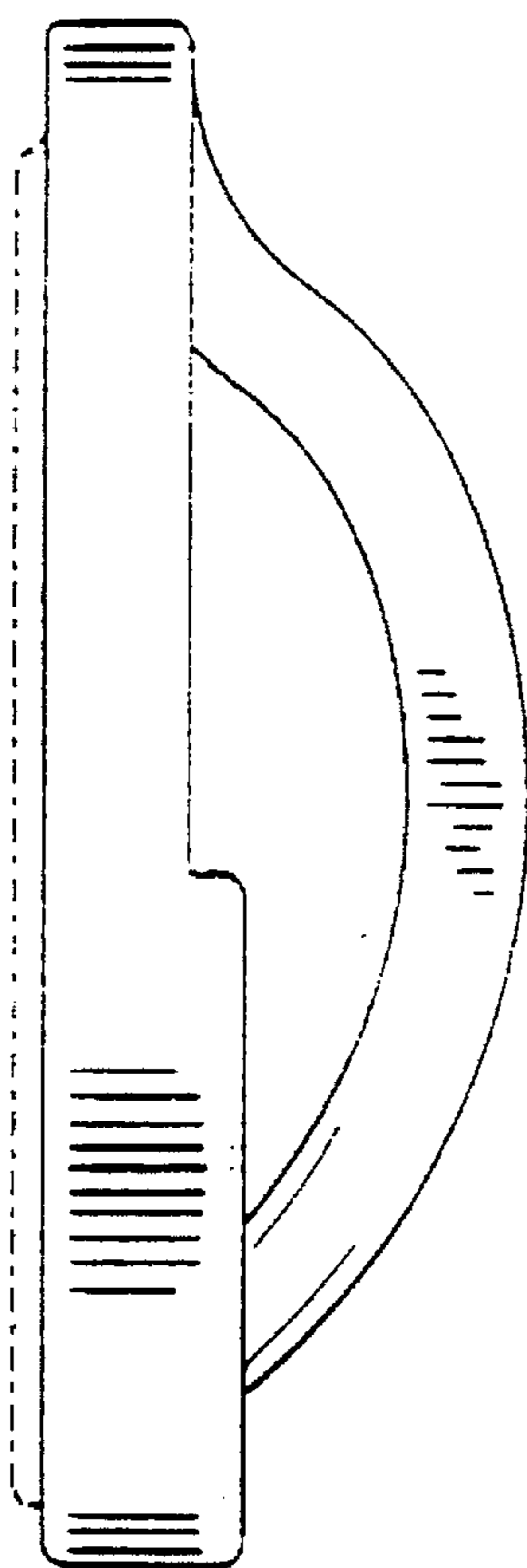


FIG. 3

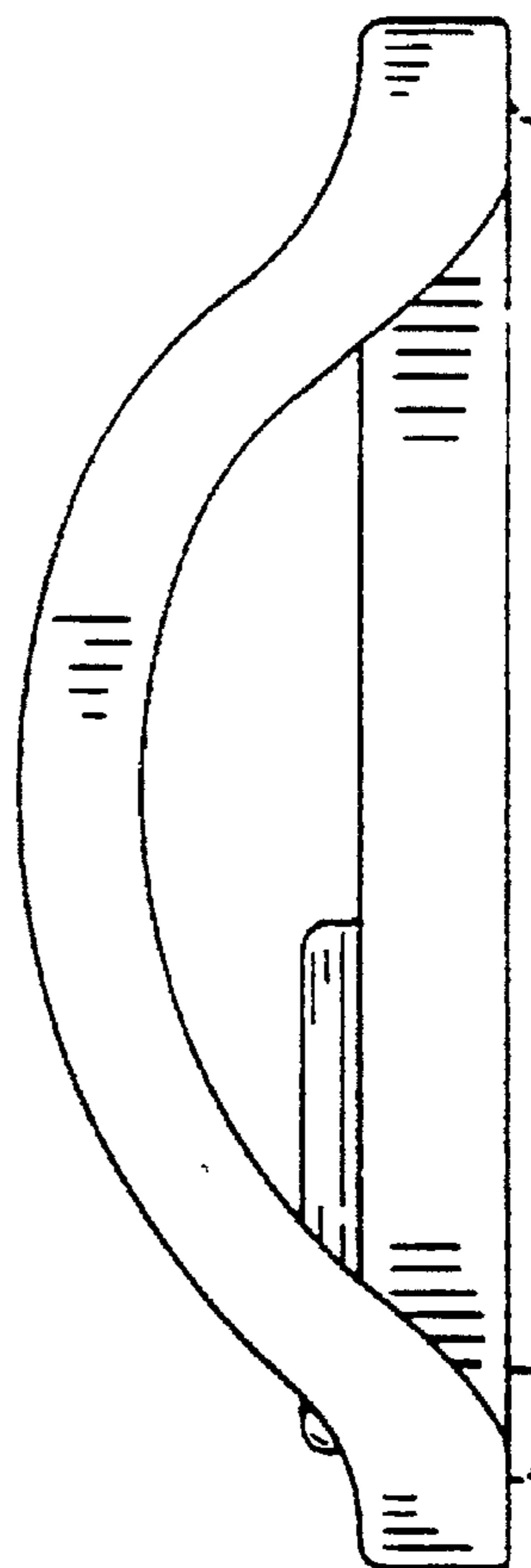


FIG. 4

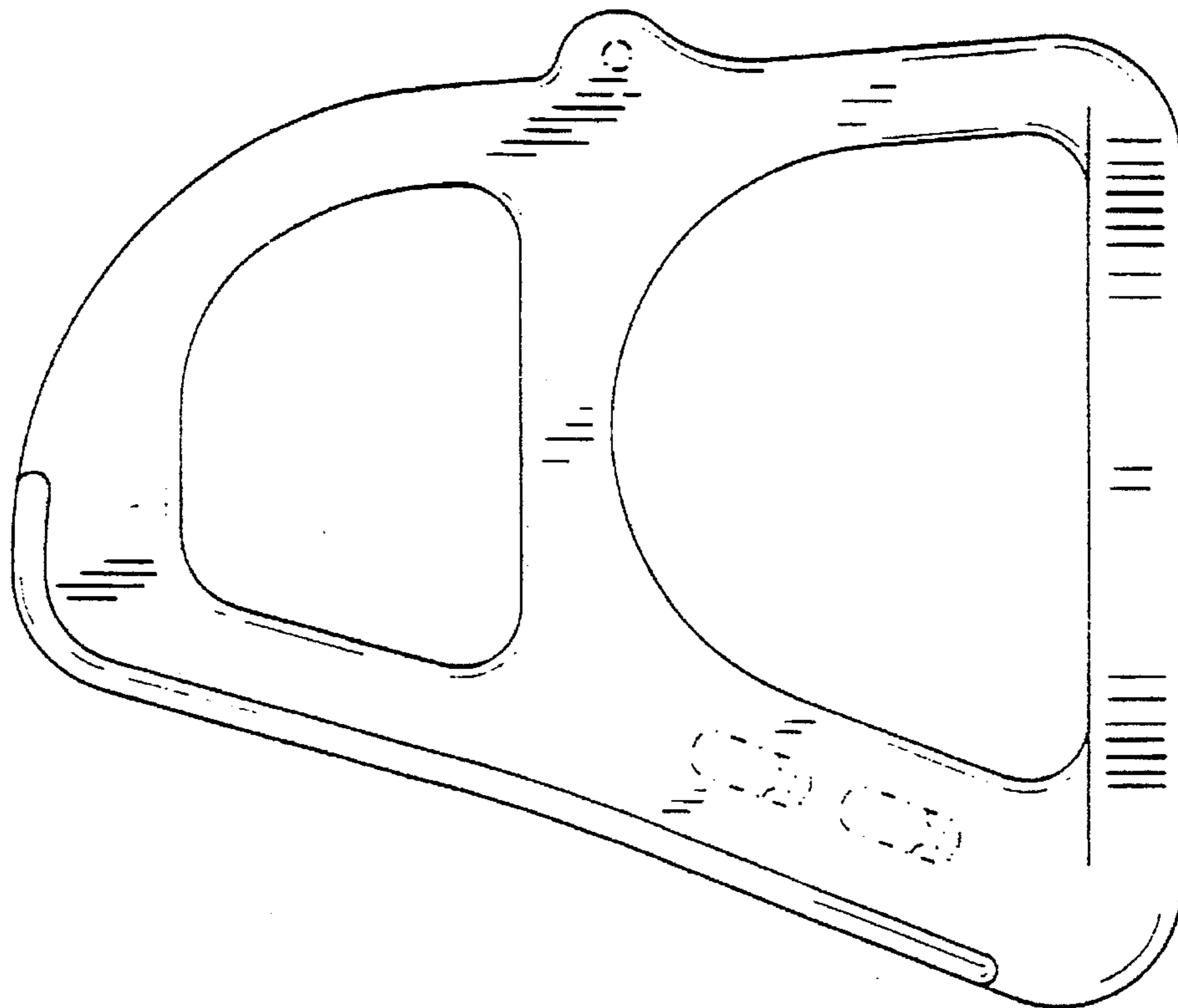


FIG. 6

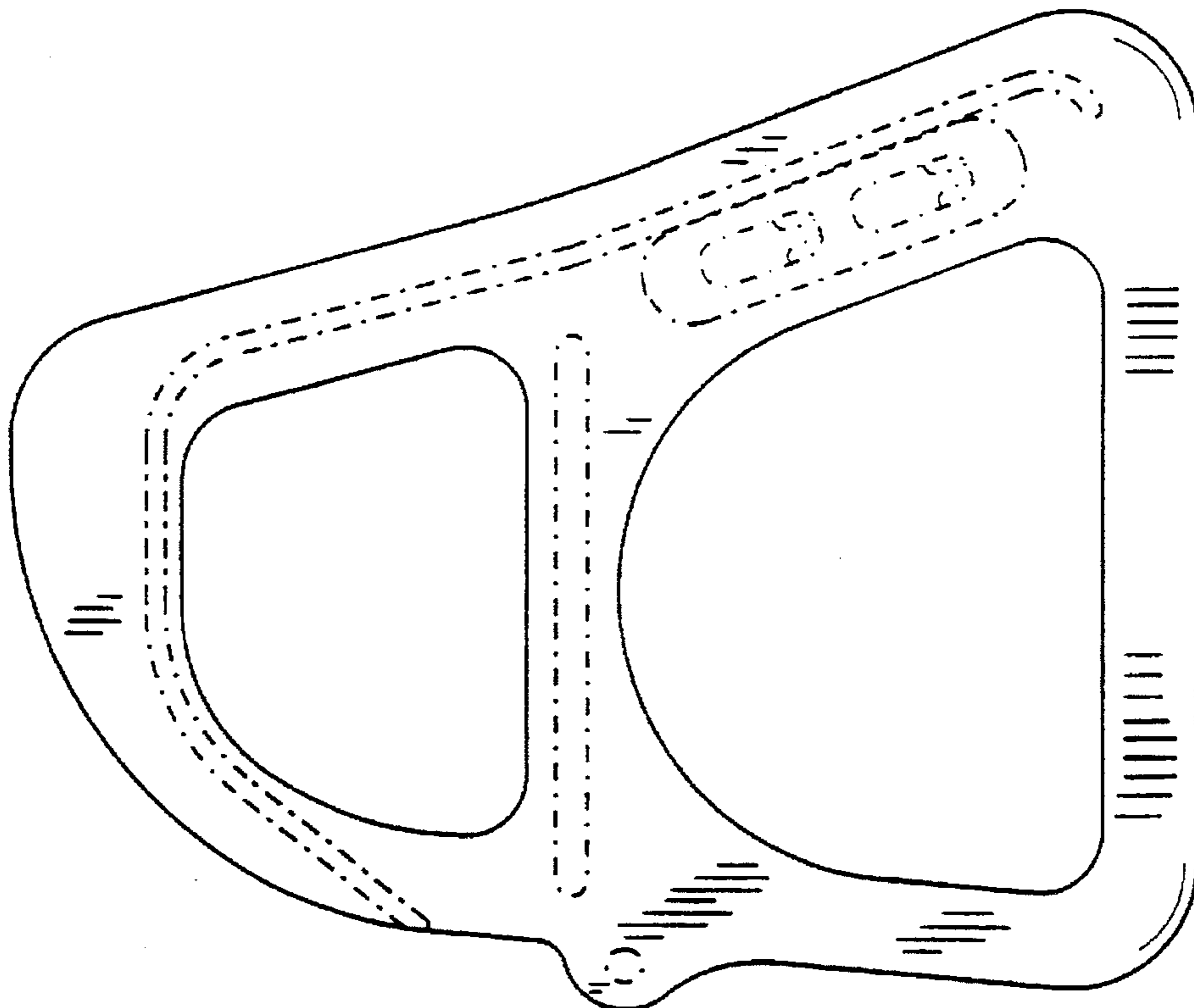


FIG. 5