



US00D383180S

United States Patent [19] Briggs

[11] Patent Number: **Des. 383,180**
[45] Date of Patent: ****Sep. 2, 1997**

[54] **GAME PADDLE**

[76] Inventor: **Ray M. Briggs**, 12301 Studebaker Rd.
#154, Norwalk, Calif. 90650

[**] Term: **14 Years**

[21] Appl. No.: **26,860**

[22] Filed: **Aug. 8, 1994**

Related U.S. Application Data

[63] Continuation-in-part of Ser. No. 611,150, Nov. 9, 1990,
abandoned.

[51] LOC (6) Cl. **21-02**

[52] U.S. Cl. **D21/213**

[58] Field of Search D21/213, 211;
273/67 B, 67 R, 76, 26 C

[56] References Cited

U.S. PATENT DOCUMENTS

D. 257,867 1/1981 Castelli D21/213

| | | | |
|------------|---------|--------------------|----------|
| D. 291,907 | 9/1987 | George | D21/213 |
| D. 304,965 | 12/1989 | Giungo et al. | D21/213 |
| D. 314,599 | 2/1991 | Birmingham | D21/213 |
| D. 360,920 | 8/1995 | Lessard | D21/213 |
| 1,066,696 | 7/1913 | Baker | 273/67 B |
| 4,208,051 | 6/1980 | Robertson | 273/26 C |
| 4,516,774 | 5/1985 | Nankivell | 273/67 B |
| 4,874,168 | 10/1989 | Wright | 273/67 B |

Primary Examiner—Lucy Lieberman

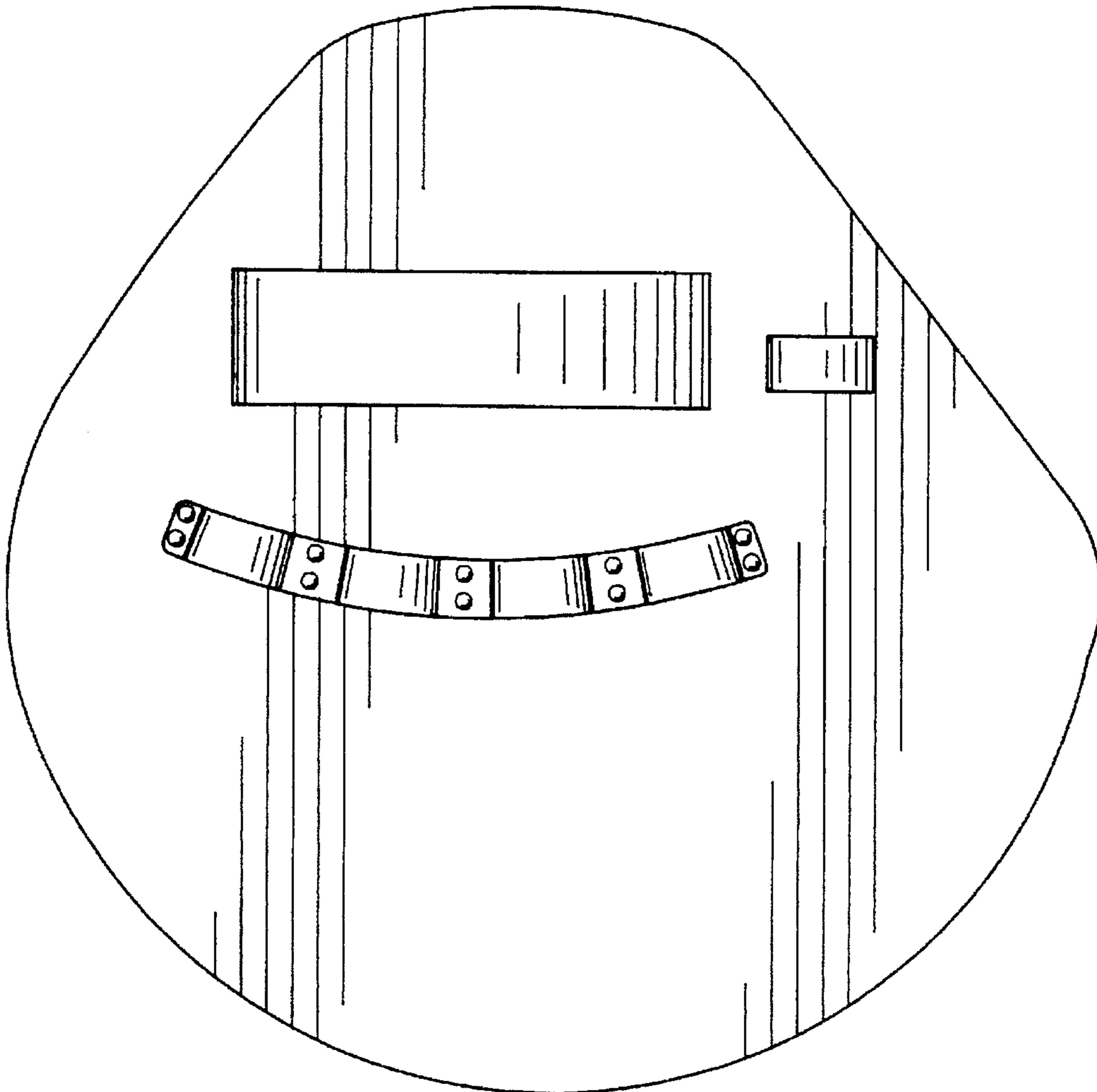
[57] CLAIM

The ornamental design for a game paddle, as shown and described.

DESCRIPTION

FIG. 1 is a front elevational view of a game paddle;
FIG. 2 is a rear elevational view thereof;
FIG. 3 is a left side elevational view thereof;
FIG. 4 is a right side elevational view thereof;
FIG. 5 is top plan view thereof;
FIG. 6 is a bottom plan view thereof; and,
FIG. 7 is a perspective view thereof.

1 Claim, 4 Drawing Sheets



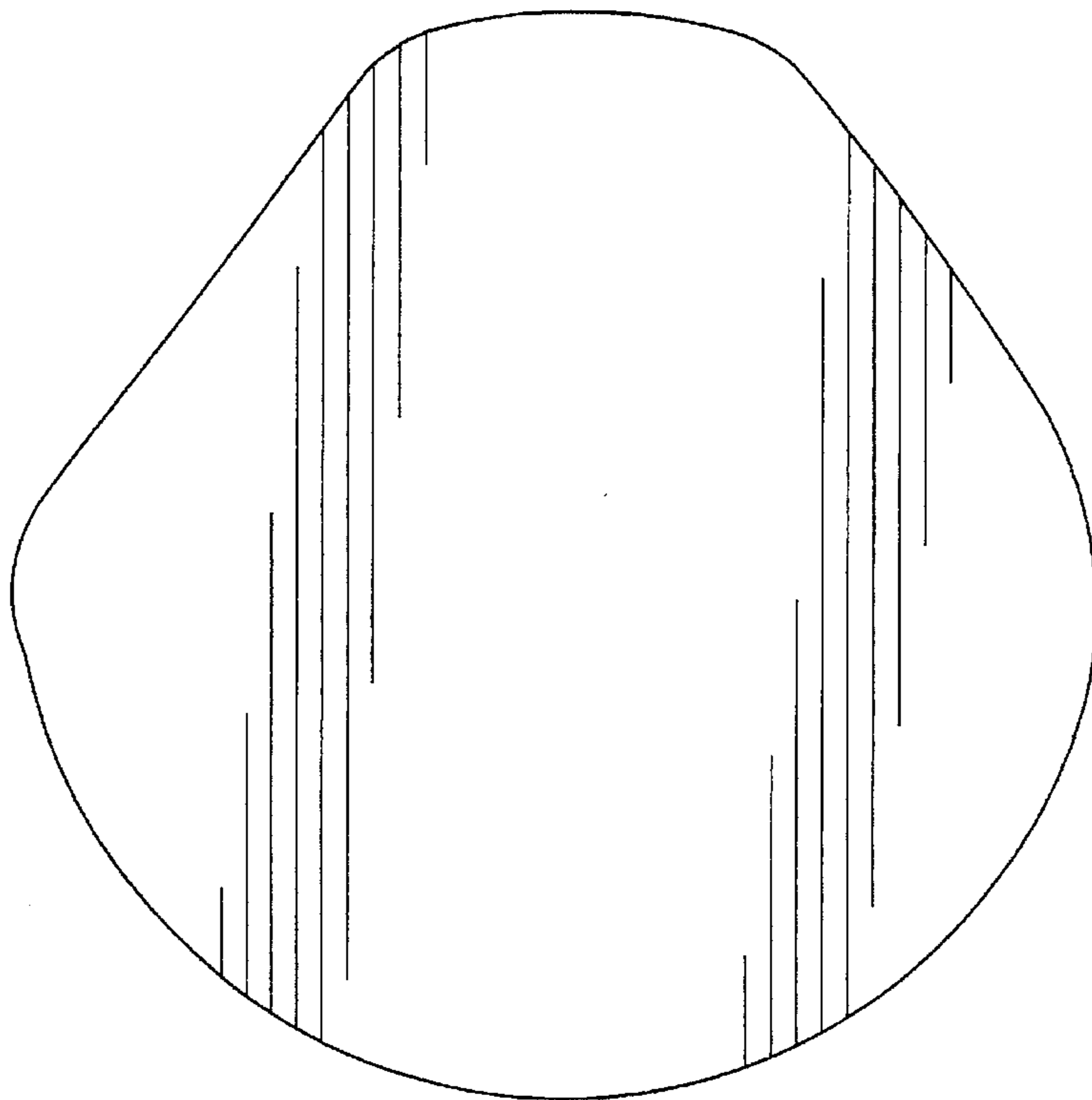


FIG. 1

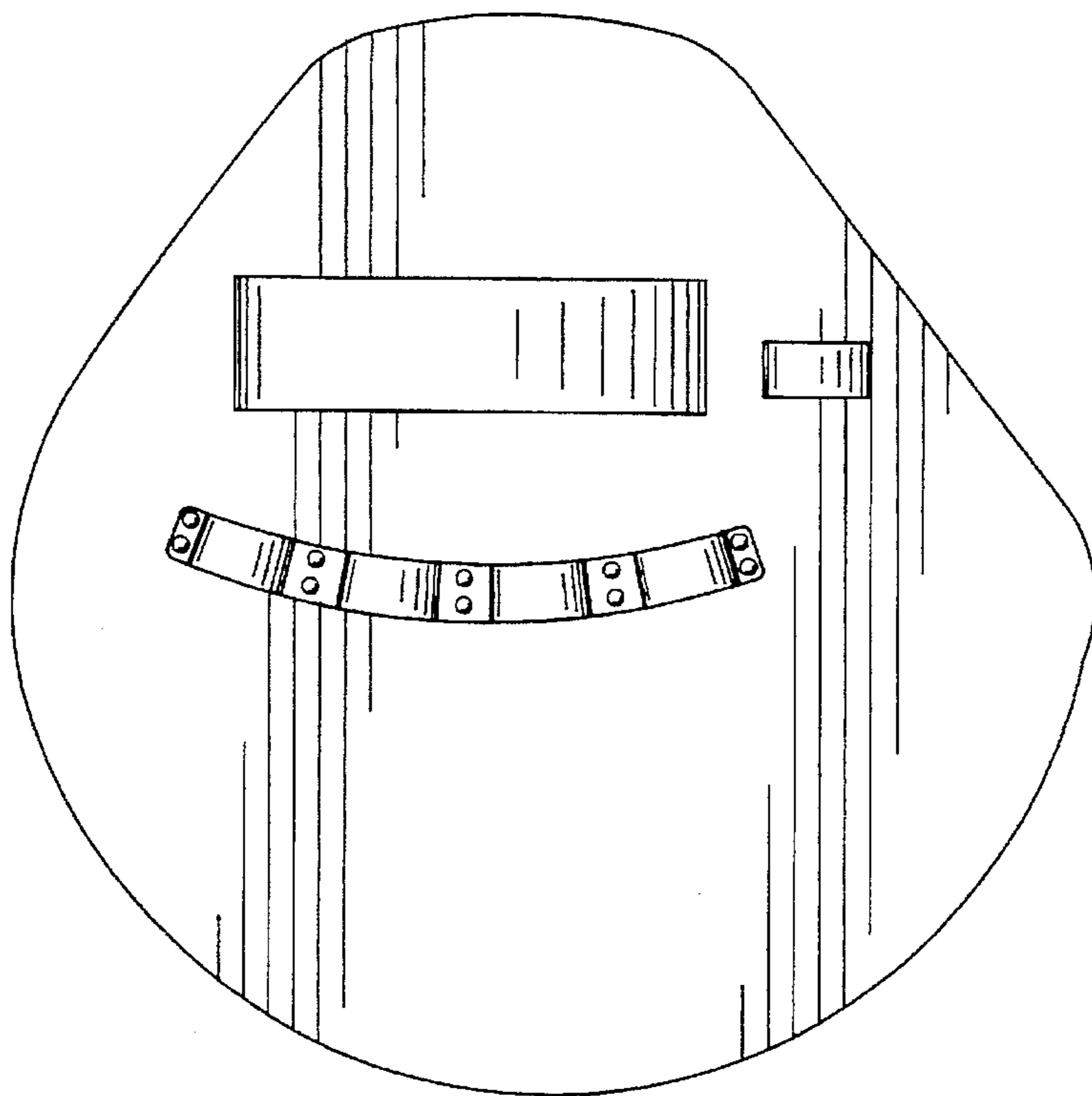


FIG. 2

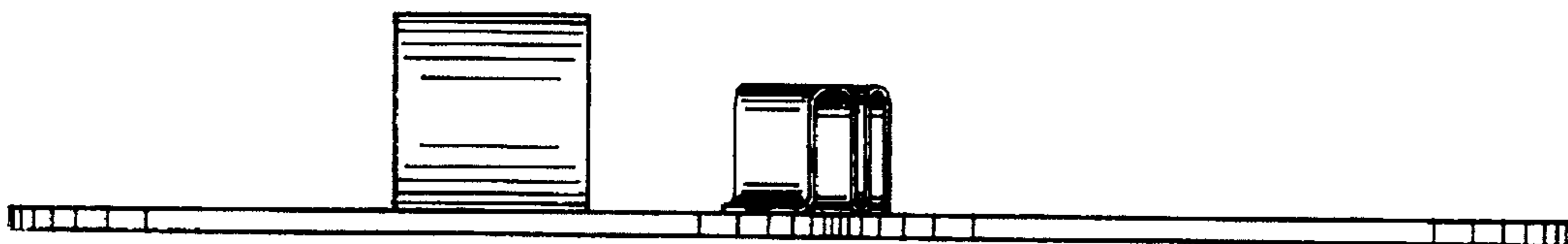


FIG. 3

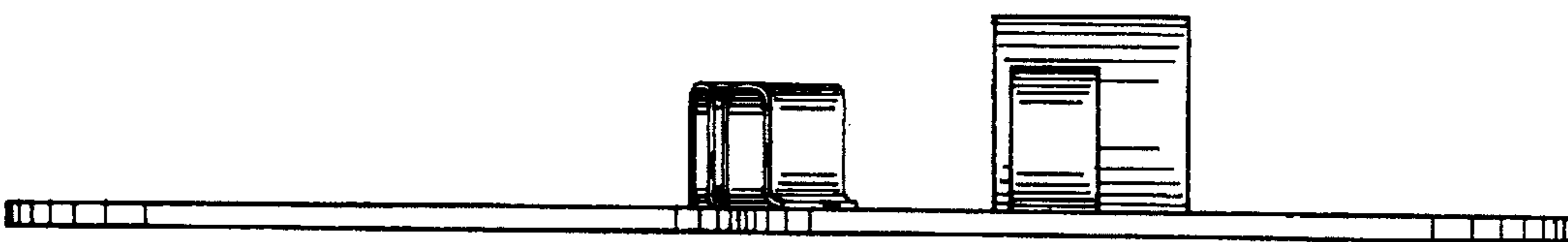


FIG. 4

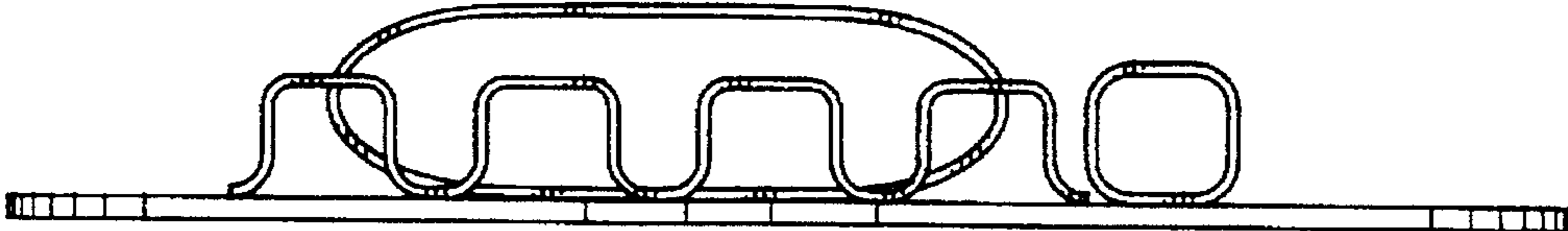


FIG. 5

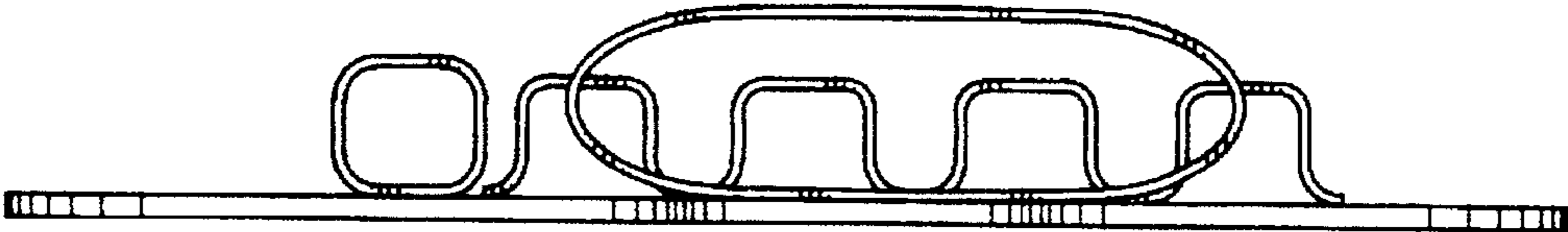


FIG. 6

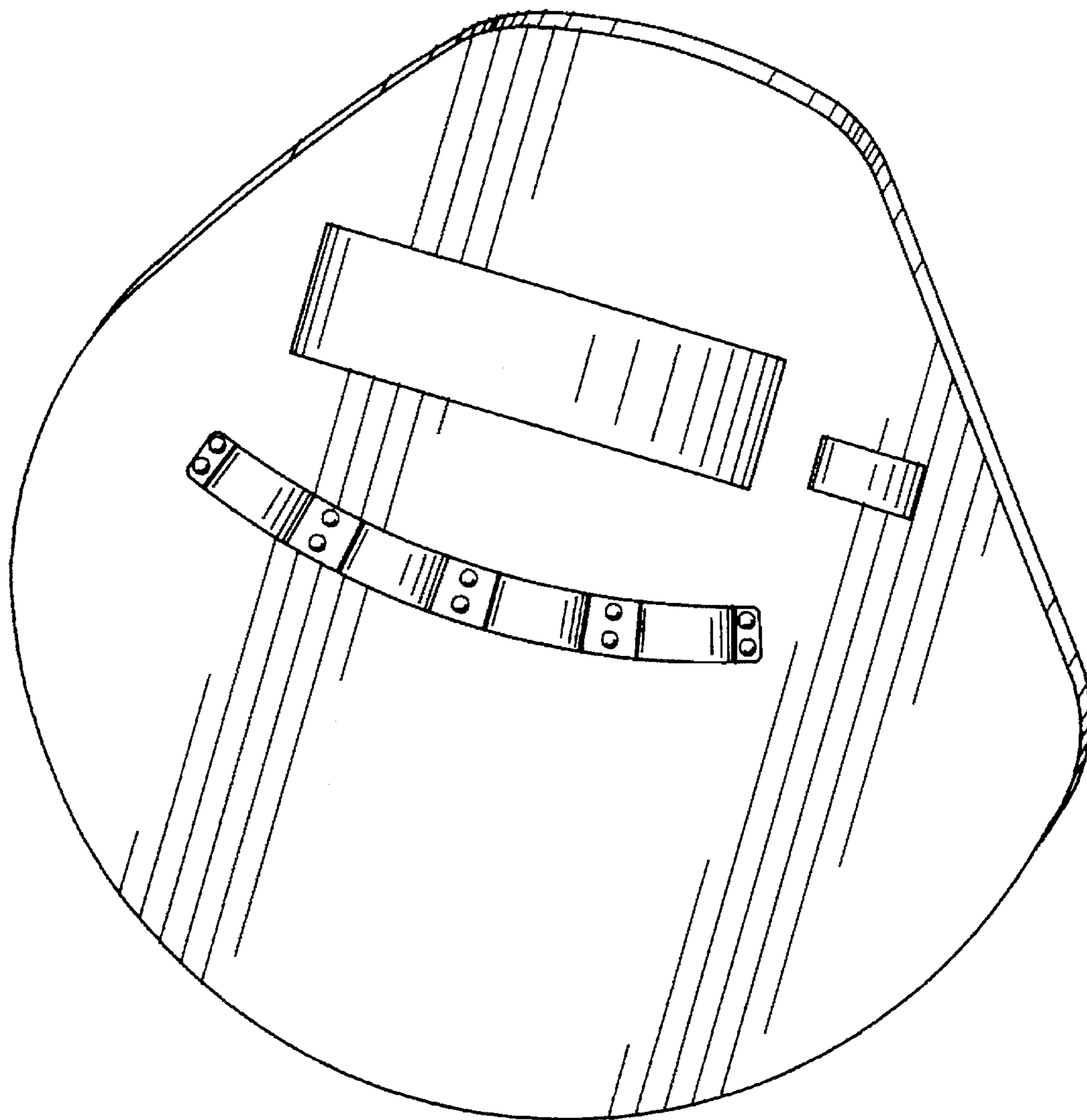


FIG. 7